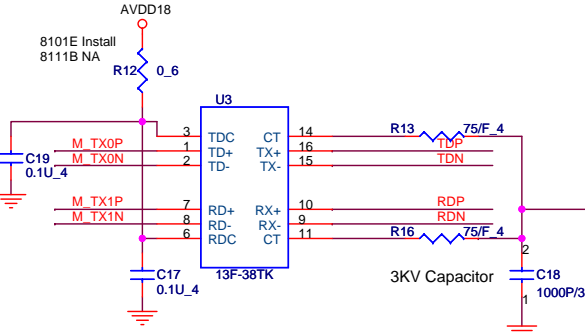
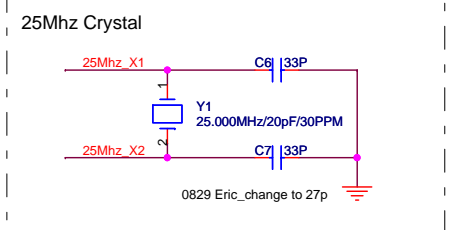
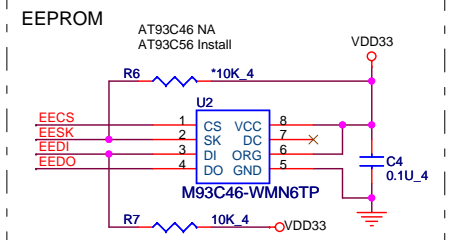
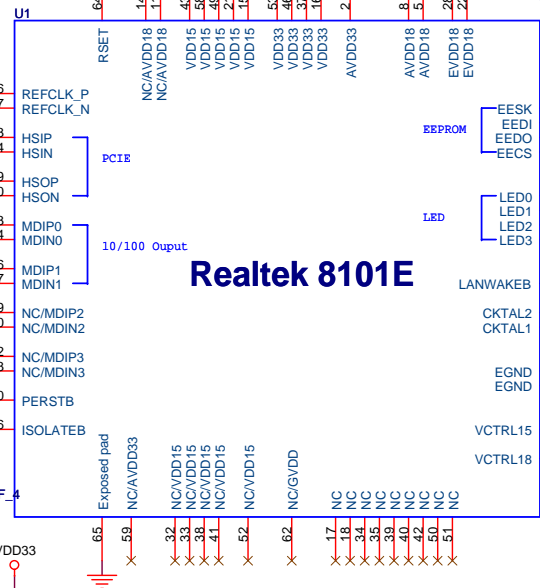
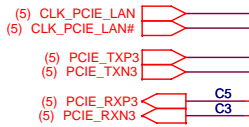
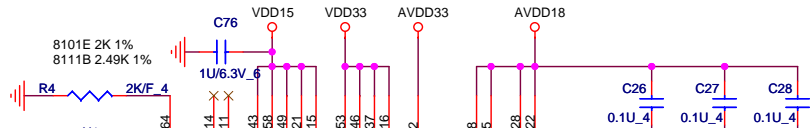
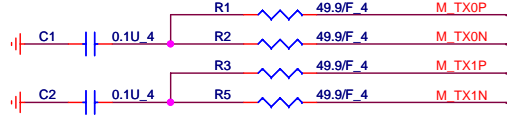


8101E Install
8111B NA

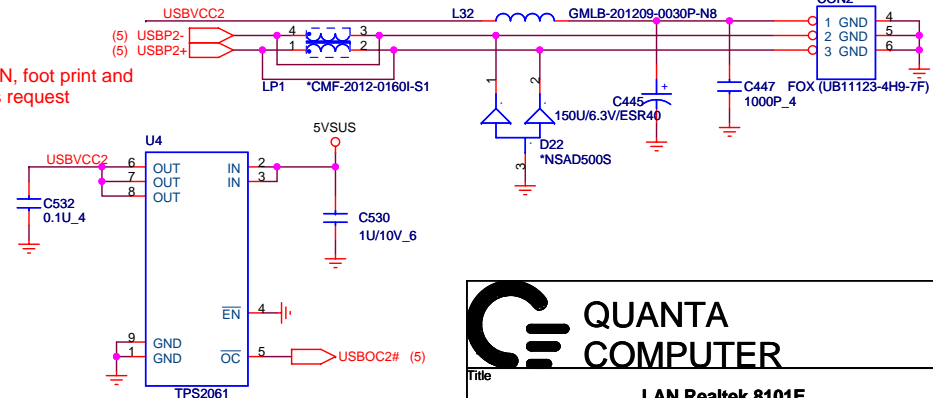


070320_Change Cbn 1 P/N, foot print and description for customer's request

070321_Sweep pin1, 2, 5, 6.

070320_Reserve space for R20 and R22

USB CONN



1. Level 1 Environment-related Substances Should NEVER be Used.
2. Purchase ink, paint, wire rods and molding resins only from the business partners that Sony approves as Green Partners.

QUANTA COMPUTER

Title: LAN Realtek 8101E

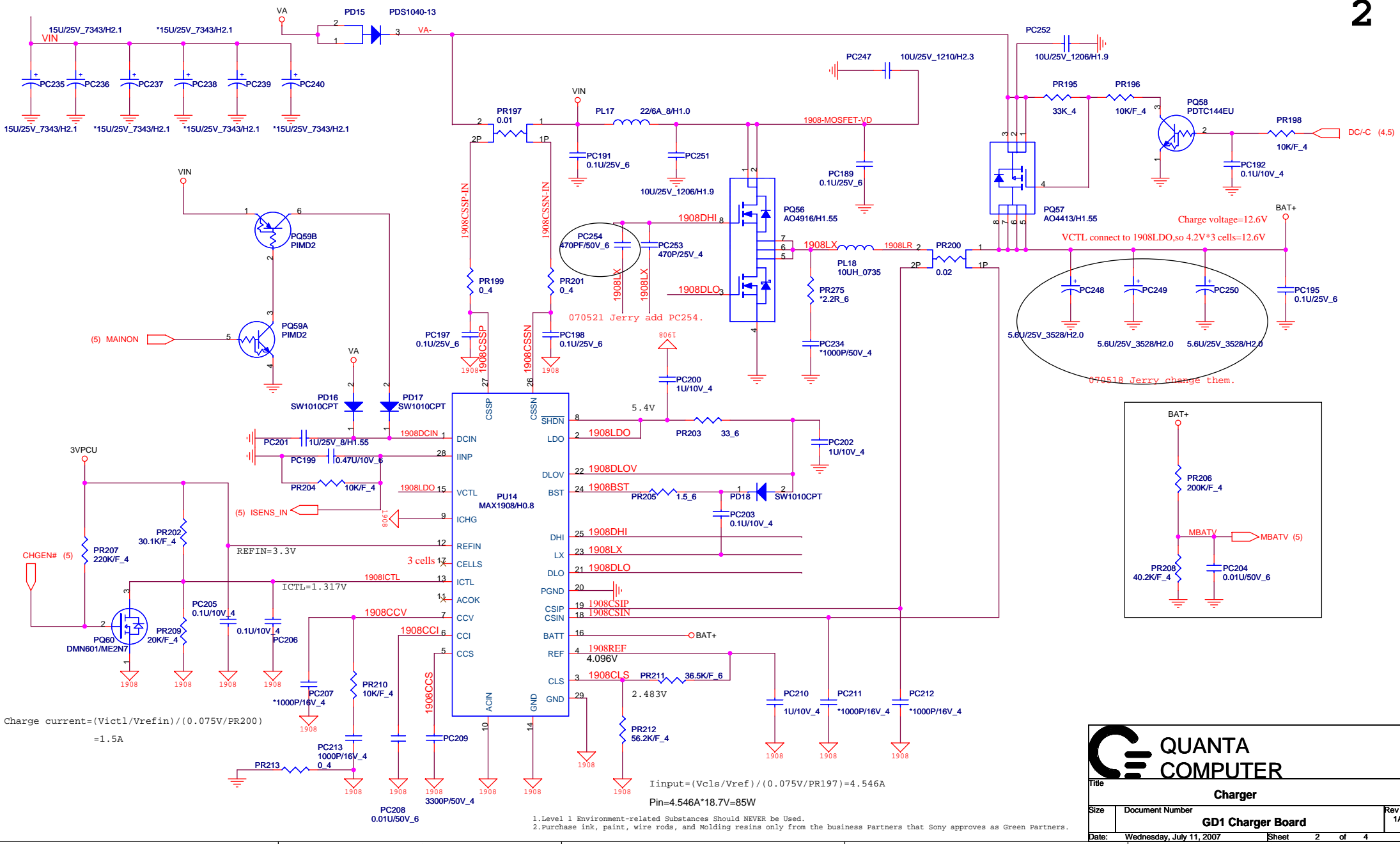
Size B Document Number: GD1 Charger Board Rev 1A

Date: Wednesday, July 11, 2007 Sheet 1 of 4

DVT:
PVT:No change

MP:
a. CAMERA EMI:
Remove C461, C462 ; ADD L1, C467

Title		
<Title>		
Size	Document Number	Rev
A	<Doc>	<RevCode>
Date:	Wednesday, July 11, 2007	Sheet 1 of 1



Charge current = $(V_{ictl} / V_{refin}) / (0.075V / PR200)$
 $= 1.5A$

$I_{input} = (V_{cls} / V_{ref}) / (0.075V / PR197) = 4.546A$
 $P_{in} = 4.546A * 18.7V = 85W$

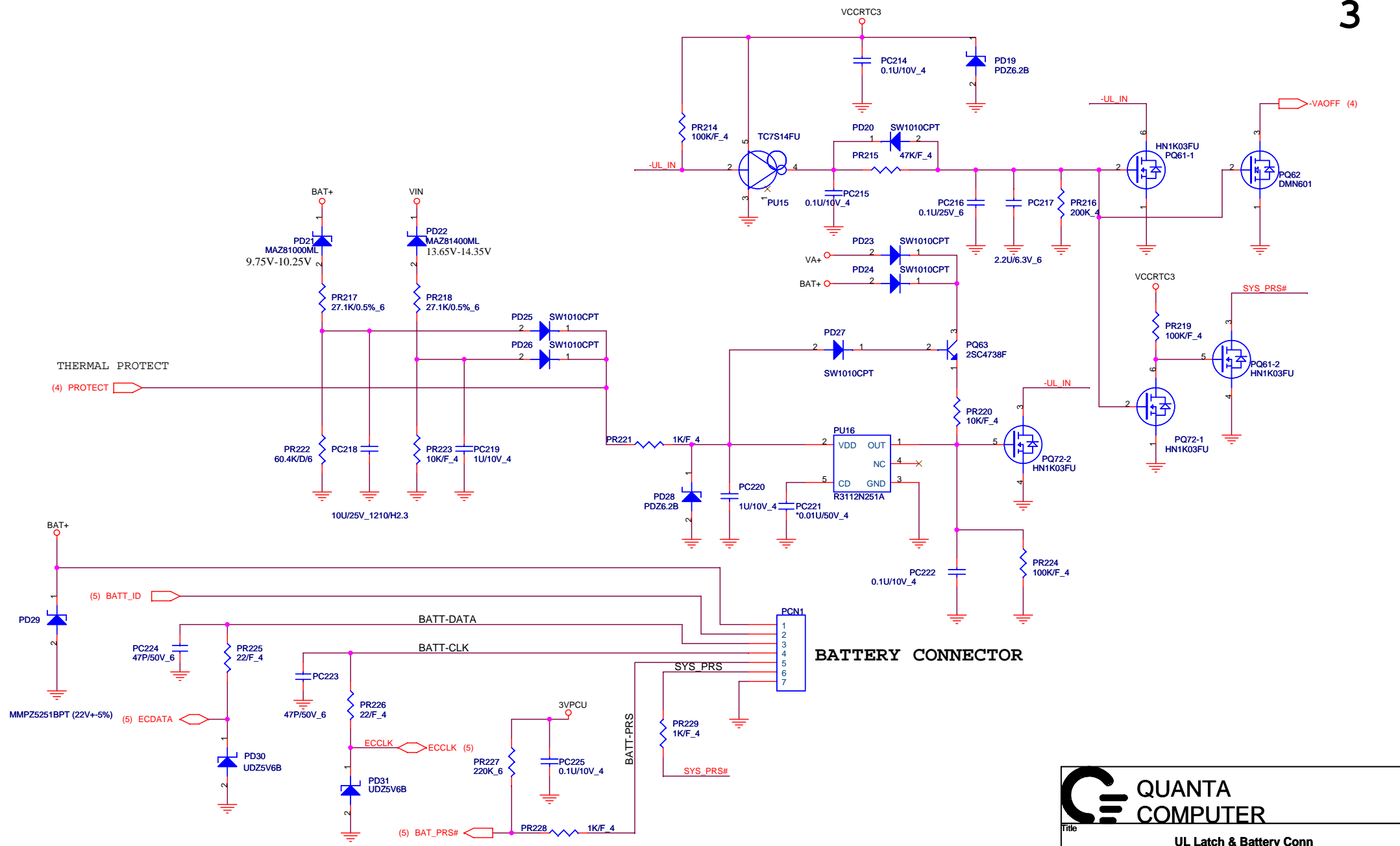
- 1.Level 1 Environment-related Substances Should NEVER be Used.
- 2.Purchase ink, paint, wire rods, and Molding resins only from the business Partners that Sony approves as Green Partners.

QUANTA COMPUTER


Title: **Charger**

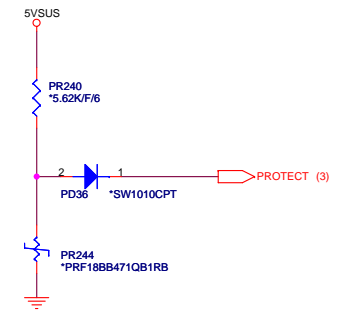
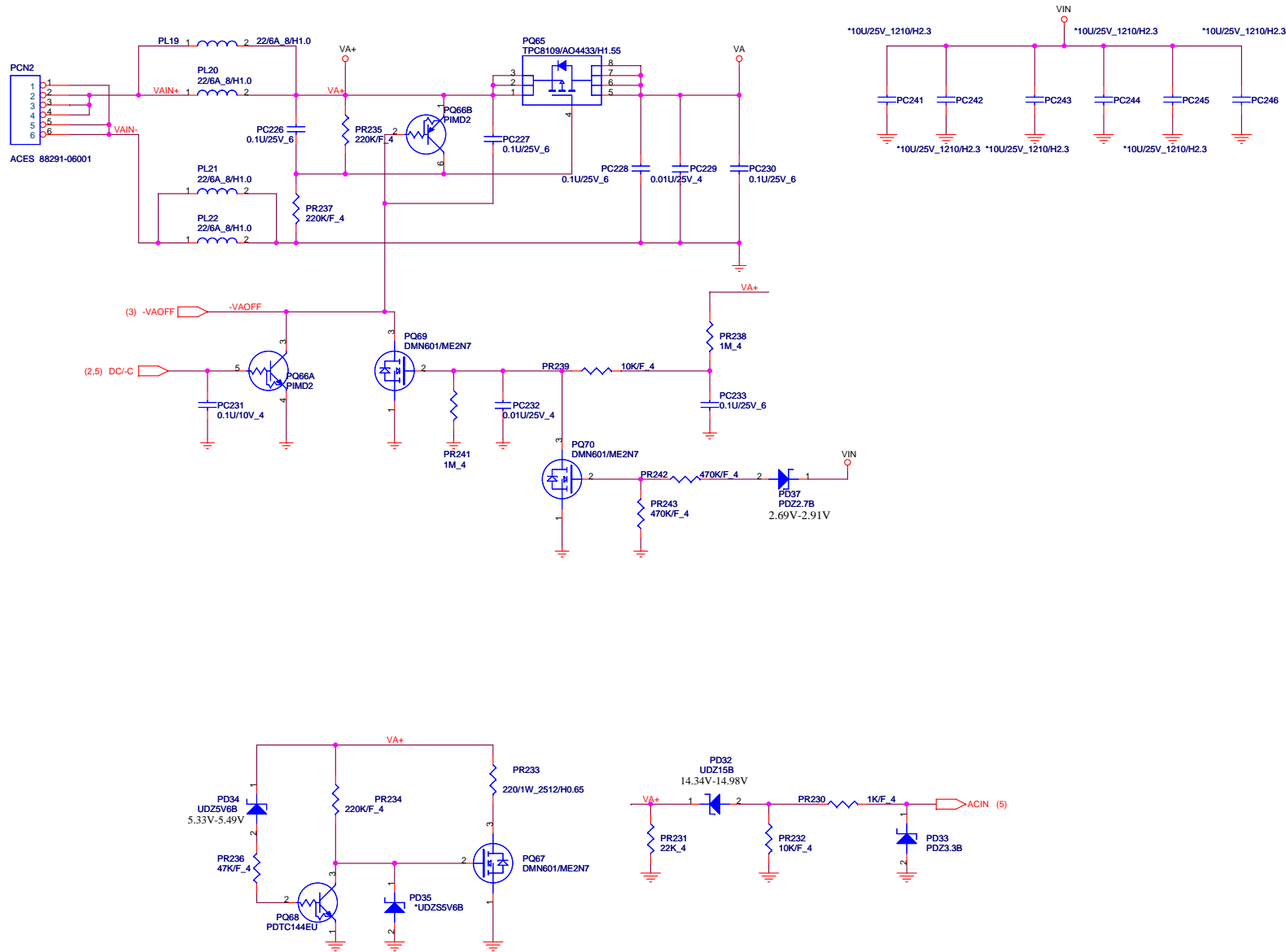
Size	Document Number	Rev
	GD1 Charger Board	1A

Date: Wednesday, July 11, 2007 Sheet 2 of 4

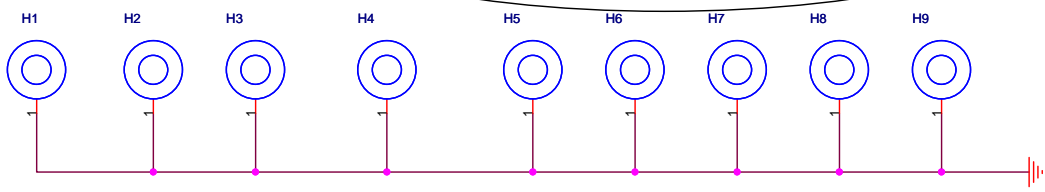
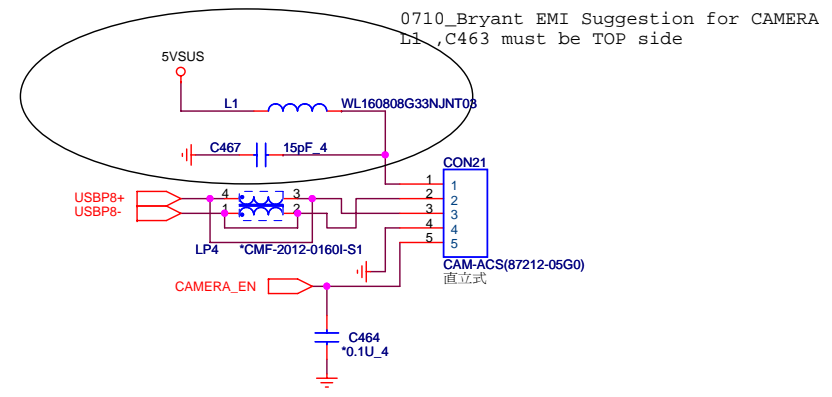
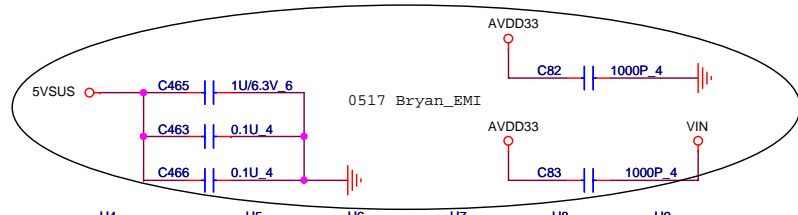
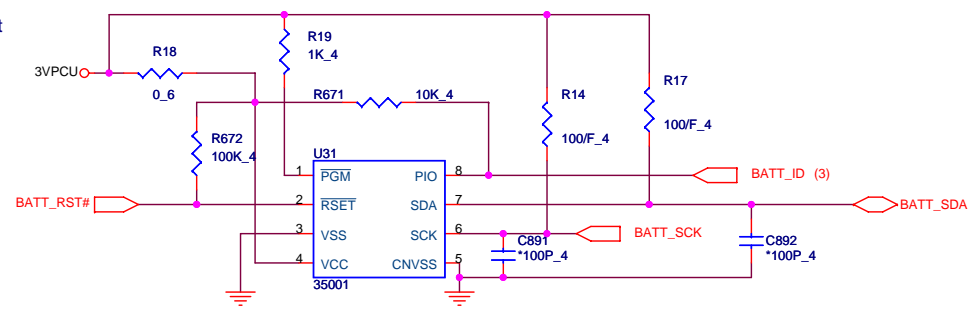
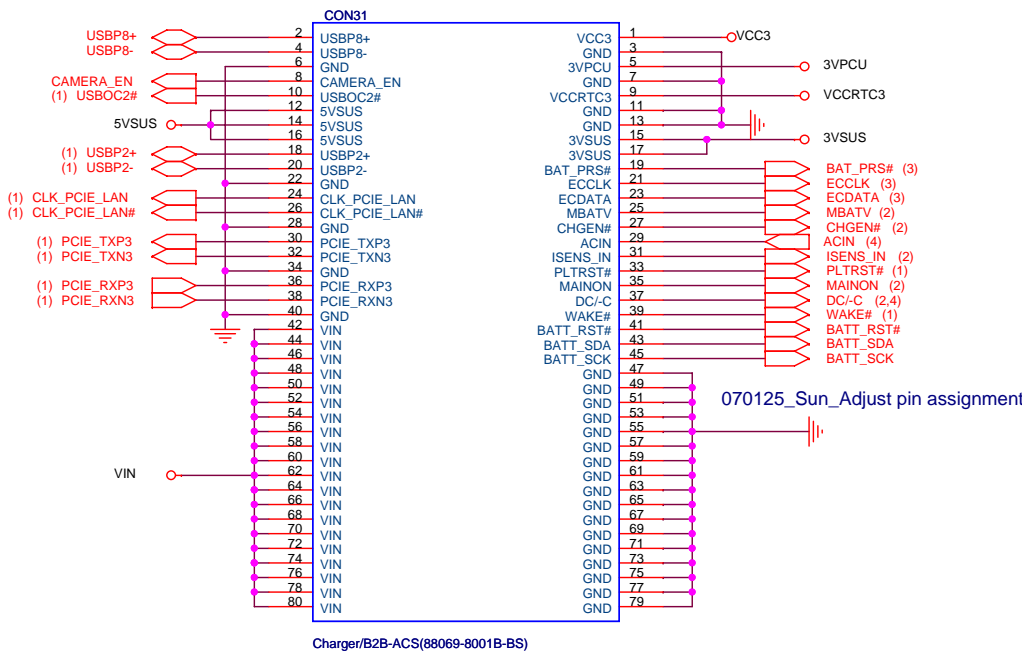


1.Level 1 Environment-related Substances Should NEVER be Used.
 2.Purchase ink, paint, wire rods, and Molding resins only from the business Partners that Sony approves as Green Partners.

 QUANTA COMPUTER		
Size B	Document Number GD1 Charger Board	Rev 1A
Date: Wednesday, July 11, 2007		
Sheet 3 of 4		1



1.Level 1 Environment-related Substances Should NEVER be Used.
 2.Purchase ink, paint, wire rods, and Molding resins only from the business Partners that Sony approves as Green Partners.



1.Level 1 Environment-related Substances Should NEVER be Used.
 2.Purchase ink, paint, wire rods and molding resins only from the business partners that Sony approves as Green Partners.

QUANTA COMPUTER

Title: **1.8VSUS & VTT_MEM & Adaptor IN**

Size B	Document Number	Rev 1A
GD1 Charger Board		
Date: Wednesday, July 11, 2007	Sheet 5	of 4