

Thank you for purchasing this Factory Service Manual CD/DVD from [servicemanuals4u.com](http://servicemanuals4u.com).

Please check out our eBay auctions for more great deals on Factory Service Manuals:

[servicemanuals4u](http://servicemanuals4u.com)

Dell™ Latitude™ C/Port Advanced Port Replicator  
User's Guide



# ***Warnings, Cautions, and Notes***

Throughout this document, there may be blocks of text printed in bold type within boxes or in italic type. These blocks are warnings, cautions, and notes, and they are used as follows:

**WARNING: A WARNING indicates the potential for bodily harm and tells you how to avoid the problem.**

**CAUTION: A CAUTION indicates either potential damage to hardware or loss of data and tells you how to avoid the problem.**

*NOTE: A NOTE indicates important information that helps you make better use of your computer system.*

Some warnings may appear in alternate formats and may be unaccompanied by an icon. In such cases, the specific presentation of the warning is mandated by regulatory authority.

# Contents

Before You Dock the Computer . . . . .	1-1
Windows 95 and Windows 98 . . . . .	1-1
Windows NT . . . . .	1-1
Features . . . . .	1-2
Connecting External Devices to the C/Port APR . . . . .	1-3
Docking the Computer . . . . .	1-5
Docking Control Base Controls and Indicators . . . . .	1-6
Undocking the Computer . . . . .	1-6
Softex Docking Services . . . . .	1-7
Securing the C/Port APR . . . . .	1-7
Using the C/Port APR With a Network . . . . .	1-8
Network Cable Requirements . . . . .	1-8
Network Connector Indicators . . . . .	1-8
Diagnostics . . . . .	1-9
Getting Help . . . . .	1-9
Technical Specifications . . . . .	1-9
Regulatory Notices . . . . .	1-11
FCC Class B Notice (U.S. Only) . . . . .	1-11
IC Notice (Canada Only) . . . . .	1-12
EN 55022 Compliance (Czech Republic Only) . . . . .	1-12
CE Notice . . . . .	1-12
VCCI Notices (Japan Only) . . . . .	1-13
Class A ITE . . . . .	1-13
Class B ITE . . . . .	1-13
Korean Regulatory Notice . . . . .	1-13
Class A Device . . . . .	1-13
Class B Device . . . . .	1-13
Polish Center for Testing and Certification Notice . . . . .	1-14
Wymagania Polskiego Centrum Badań i Certyfikacji . . . . .	1-14
Pozostałe instrukcje bezpieczeństwa . . . . .	1-14

NOM 024 Information (Mexico Only) . . . . .	1-15
Información para NOM 024 (únicamente para México) . . . . .	1-15
Warranties. . . . .	1-16
Limited One-Year Warranty(U.S. and Canada Only). . . . .	1-16
“Total Satisfaction” Return Policy (U.S. and Canada Only) . . . . .	1-17

## ***Index***

### ***Figures***

Figure 1-1. Dell Latitude C/Port Advanced Port Replicator . . . . .	1-2
Figure 1-2. I/O Panel on the C/Port APR . . . . .	1-3
Figure 1-3. Infrared Port and Audio Line-Out Jack . . . . .	1-4
Figure 1-4. Attaching the Monitor Stand . . . . .	1-4
Figure 1-5. Docking Panel Door on the Computer. . . . .	1-5
Figure 1-6. Docking the Computer. . . . .	1-5
Figure 1-7. Docking Control Base Controls and Indicators . . . . .	1-6
Figure 1-8. Undocking the Computer. . . . .	1-7
Figure 1-9. Network Connector Indicators. . . . .	1-8

### ***Tables***

Table 1-1. Technical Specifications . . . . .	1-9
---	-----

# Dell™ Latitude™ C/Port Advanced Port Replicator User's Guide



**T**he Dell Latitude C/Port Advanced Port Replicator (C/Port APR) integrates your Dell Latitude portable computer quickly and easily into a desktop environment.

## Before You Dock the Computer

Use the instructions in this section to install the appropriate drivers for the C/Port APR.

*If your computer uses the Microsoft® Windows® 95 or Windows 98 operating system, see “Windows 95 and Windows 98” found later in this section.*

*If your computer uses the Microsoft Windows NT® operating system, see “Windows NT” found later in this section.*

### Windows 95 and Windows 98

If your computer uses Windows 95 or Windows 98, the computer is already configured to work with the Dell Latitude C/Port APR. Use the following procedure the first time you turn on the computer.

**CAUTION: Do not dock the computer before turning it on for the first time.**

1. ***If the computer has never been turned on, turn it on now while undocked and complete the operating system setup. Then go to step 2.***

If the operating system setup has already been completed, turn on the computer and go to step 2.

For setup instructions, see the operating system *Setup Guide* that came with the computer.

2. **Dock the computer.**

The operating system creates a hardware profile for the C/Port APR.

### Windows NT

If your computer uses Windows NT, the computer is already configured to work with the Dell Latitude C/Port APR. Use the following procedure the first time you turn on the computer.

**CAUTION: Do not dock the computer before turning it on for the first time.**

1. ***If the computer has never been turned on, turn it on now while undocked and complete the operating system setup. Then go to step 2.***

*If the operating system setup has already been completed, turn on the computer and go to step 2.*

For setup instructions, see the *Dell-Installed Microsoft Windows NT Workstation 4.0 Setup Guide*.

2. ***If you plan to connect a C/Port APR to a network, shut down the computer, dock it, and turn it on again.***

Follow the instructions on the display to load the appropriate drivers.

# Features

The C/Port APR, which is designed around Peripheral Component Interconnect (PCI) technology, has the following features (see Figures 1-1, 1-2, and 1-3):

- A 10/100 megabit-per-second (Mbps) BASE-TX 3Com<sup>®</sup> Ethernet network controller.

*NOTE: To connect the computer to a Token Ring network, use a Token Ring PC Card in the computer.*

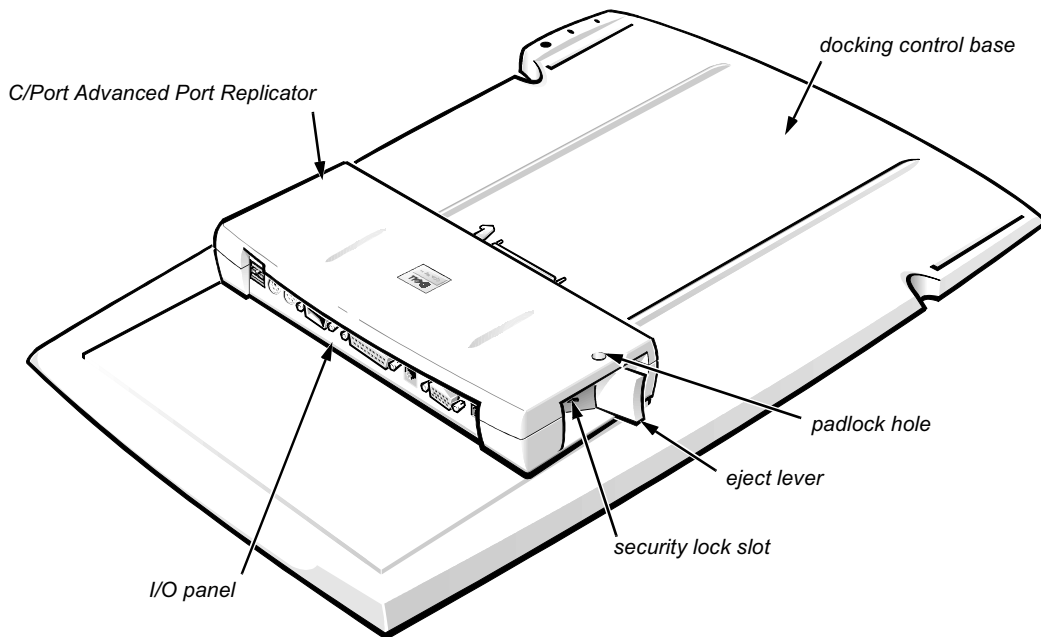
- Standard input/output (I/O) connectors to attach a serial and a parallel device, an external monitor or other video device, a Personal System (PS)/2-compatible mouse, and a PS/2-style keyboard or external keypad.
- Two stacked Universal Serial Bus (USB) connectors.
- A line-out jack to attach optional speakers or headphones.

- An infrared port compatible with the Infrared Data Association (IrDA) Standards 1.1 (Fast IR) and 1.0
- A docking control base to facilitate the proper connection between the C/Port APR and the computer.

**CAUTION: Do not connect the computer and the C/Port APR if the C/Port APR is not attached to a docking control base. Such a connection could damage the connectors on the C/Port APR and the computer.**

*NOTE: In some regions the C/Port APR can be purchased with a short alignment tray. Use this tray if you plan to use the C/Port APR without a monitor stand or if you travel with the C/Port APR.*

- A monitor stand that fits onto the docking control base and provides a platform for an external monitor.



**Figure 1-1. Dell Latitude C/Port Advanced Port Replicator**

# Connecting External Devices to the C/Port APR

Use the following instructions to connect external devices to the C/Port APR:

**1. Make sure the C/Port APR is attached to the docking control base.**

The C/Port APR was attached to the docking control base before being shipped to you.

**2. Refer to Figures 1-2 and 1-3 to locate the appropriate connector, jack, or port on the C/Port APR.**

You can attach the following external devices to the C/Port APR:

- USB devices, such as a mouse, keyboard, camera, or speakers, connected to one of the two stacked USB connectors.

Both USB connectors support the use of a USB hub device for connecting multiple devices. For more information, see the instructions that accompanied the USB device.

- A PS/2-compatible mouse connected to the PS/2 mouse connector.

When a PS/2 mouse is attached to the C/Port APR, the touch pad on the computer is disabled automatically.

- A PS/2-style keyboard or external numeric keypad connected to the PS/2 keyboard connector.

When an external keyboard or numeric keypad is connected to the C/Port APR, the computer's built-in keyboard still functions.

- A serial device, such as a serial mouse or external modem, connected to the serial connector.
- A parallel device, such as a tape drive or printer, connected to the parallel connector.
- An Ethernet network interface cable with an RJ45 plug connected to the network connector.

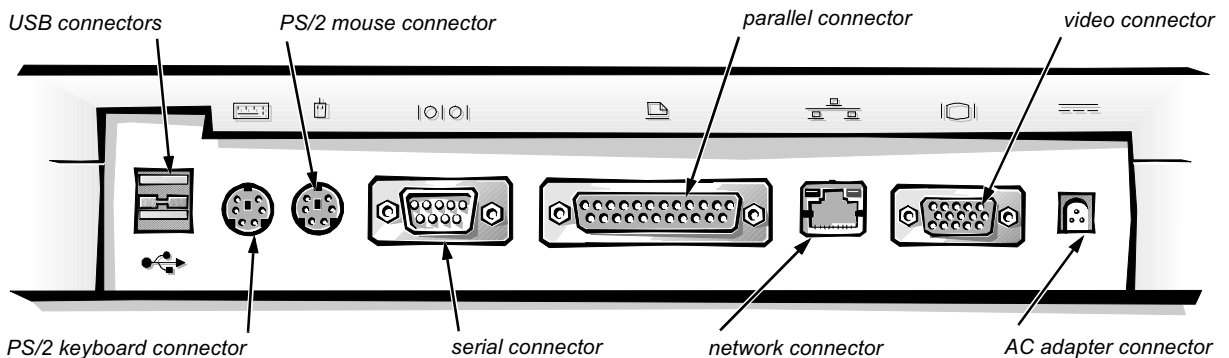
*NOTE: Alert your network administrator before connecting the C/Port APR to a network.*

For information about available network drivers, network cabling requirements, and the network connector indicators, see "Using the C/Port APR With a Network" found later in this document.

- An external monitor or other video device connected to the video connector.

If an external monitor is connected to the C/Port APR, the computer's built-in display still functions. However, the computer display must be closed when using an external monitor on top of the monitor stand.

*NOTE: Check the technical specifications of your Dell portable computer to determine the kind of external monitor the C/Port APR supports.*



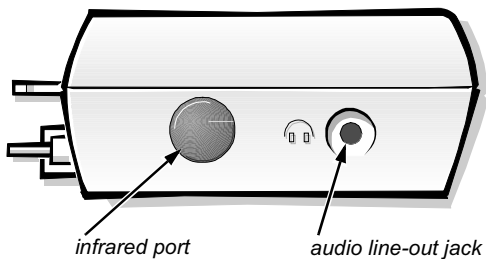
**Figure 1-2. I/O Panel on the C/Port APR**



For information on changing the resolution of an external monitor connected to the C/Port APR, see “Video Drivers and Video Resolution” in the online *System User’s Guide* on your computer.

- Speakers or headphones connected to the audio line-out jack (see Figure 1-3).
- An infrared device that works with the infrared port on the C/Port APR (see Figure 1-3) and the data communications software on the computer’s hard-disk drive.

For more information, see “Using External Devices” in the online *System User’s Guide* on your computer.



**Figure 1-3. Infrared Port and Audio Line-Out Jack**

3. **Connect the external devices to their power sources.**
4. **Connect the C/Port APR to alternating current (AC) power.**

Connect the AC power cable to the AC adapter. Next, plug the AC adapter cable into the AC adapter connector on the C/Port APR. Then plug the AC power cable into awn AC power source.

The AC adapter powers the C/Port APR and the computer at the same time. A battery inside the computer charges while you use the C/Port APR.

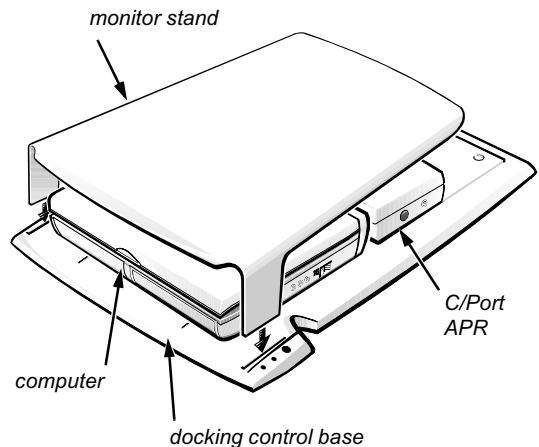
**CAUTION: Always use the Dell AC adapter that came with the C/Port APR. (Look for model number PA-2 or PA-6 on the bottom of the AC adapter.) Using any other commercially available AC adapter—or the AC adapter from older models of Dell computers—could damage the C/Port APR or the computer.**

If the AC adapter cable is accidentally unplugged from the C/Port APR, your data is safe as long as you have a charged battery in the computer.

5. **Place the C/Port APR and docking control base in a convenient location on your desk or work area.**
6. **Attach the monitor stand to the docking control base (see Figure 1-4), and then set an external monitor on top of the stand.**

The stand supports monitors that weigh up to 45.3 kilograms (kg) (100 pounds [lb]).

*NOTE: If you are using the short alignment tray, you cannot use the monitor stand.*

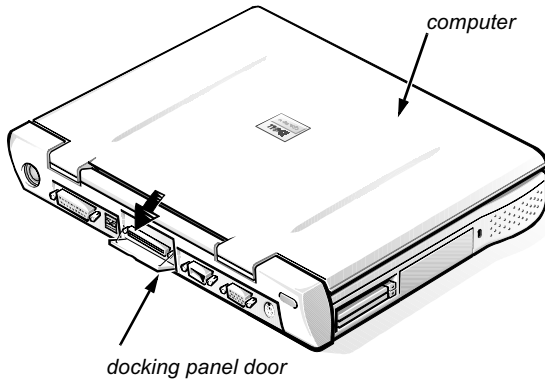


**Figure 1-4. Attaching the Monitor Stand**

# Docking the Computer

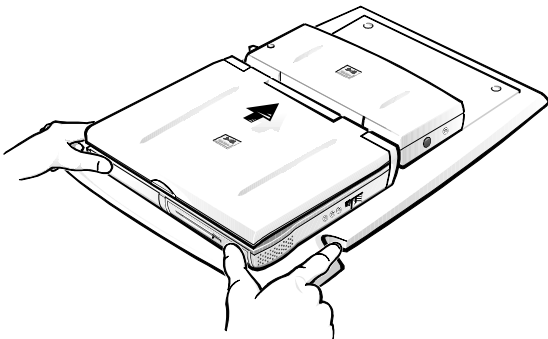
Use the following instructions to dock the computer to the C/Port APR:

1. **Open the docking panel door on the back of the computer (see Figure 1-5).**



**Figure 1-5. Docking Panel Door on the Computer**

2. **If you are using the C/Port APR with a monitor stand, close the computer display.**
3. **Dock the C/Port APR to the computer (see Figure 1-6).**



**Figure 1-6. Docking the Computer**

First, center the computer on the docking control base. To do this, place the computer onto the docking control base, and align the ridges on top of the computer with the ridges on top of the C/Port APR. When properly aligned, you should feel the guide rails on the docking control base connect with the grooves on the bottom of the computer.

Next, put your thumbs along the front edge of the computer and your fingers in the docking control base indents. Then push the computer toward the C/Port APR gently but firmly with your thumbs. You should hear or feel a click as the catch lever locks into place. The catch lever keeps the C/Port APR from being accidentally disconnected from the computer.

**CAUTION: Do not pick up the computer or the C/Port APR separately when they are connected. Doing so could damage the I/O connectors on the computer and the C/Port APR. To change the position of the C/Port APR and the computer, slide or pick up the docking control base.**

**CAUTION: If you are using an external monitor with the monitor stand, remove the monitor from the stand before moving the docking control base into place.**

You can immediately use the network, the infrared port (with Windows 95 and Windows 98 only), and all devices attached to the C/Port APR for which device drivers are installed. While docked, you can connect Plug and Play devices to the I/O panel of the C/Port APR.

If an external monitor is attached to the C/Port APR and is turned on, the screen image appears on the external monitor. To switch the image to the computer display or to both the monitor and the computer display, press <Fn><F8>.

When the computer is attached to the C/Port APR and is turned on, the green power indicator on the docking control base lights up (see Figure 1-7). For more information about the docking control base, see “Docking Control Base Controls and Indicators” in the following section.

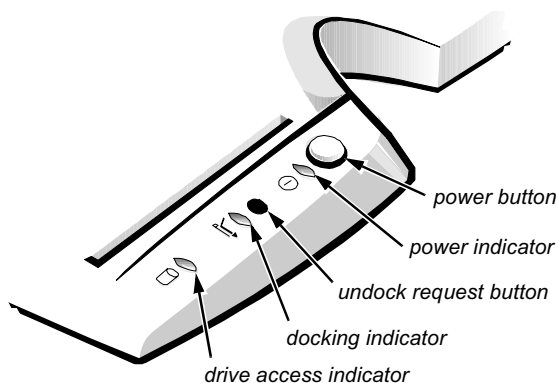
While the computer and C/Port APR are docked, you can use key combinations or System Setup time-outs to put the computer into suspend mode.

The computer cannot enter suspend-to-disk mode while docked.

## Docking Control Base Controls and Indicators

When the computer is used with the C/Port APR and a monitor stand, the power button, power indicator, and drive access indicator on the computer are not visible. However, these features are duplicated on the docking control base (see Figure 1-7).

*NOTE: The short alignment tray, which is available in some regions, does not have these features.*



**Figure 1-7. Docking Control Base Controls and Indicators**

The controls and indicators on the docking control base work as follows:

- To turn the computer on and off, press the power button on the docking control base.
- The green power indicator lights up when the computer and C/Port APR are docked and the computer is on.
- The green drive access indicator flickers when a hard-disk drive, diskette drive, or CD-ROM drive is being accessed.

- To prepare the computer electrically for undocking, press the undock request button.
- The green docking indicator lights up when the computer and C/Port APR are docked and computer is turned on. After you press the undock request button, the docking indicator turns off when the computer is ready to be undocked.

## Undocking the Computer

Use the following instructions to undock the computer:

1. **Make sure there is a charged battery in the computer.**

**CAUTION: If the computer does not have power from a battery, the computer turns off when it is detached from the C/Port APR, and all unsaved data is lost.**

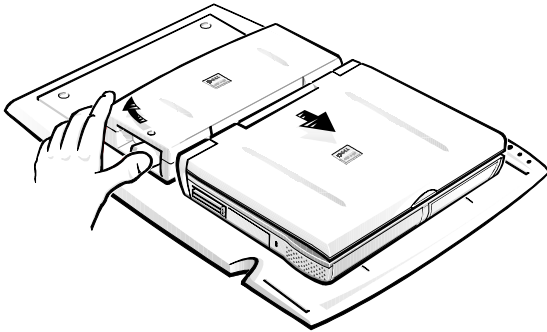
2. **Use one of the following methods to prepare the computer electrically for undocking.**

**CAUTION: Never undock the computer and the C/Port APR without first preparing the computer electrically. Any of the three following methods prepares the operating system, network, and storage devices for undocking by completing data transfers. If the computer is undocked before these transfers are completed, data will be lost and it could take several minutes for the computer to recover normal operation.**

- Press <Fn><Esc> on the computer's built-in keyboard (or <Scroll Lock><Esc> on an external keyboard). Wait a few seconds for the power indicator on the computer to turn off.
- On the Windows 95 or Windows 98 taskbar, click the Start button, point to Eject PC, and click. Wait a few seconds for the power indicator on the computer to turn off.
- On the Windows NT taskbar, click the Docking Services icon, and then click the Undock button.

- If you are using the C/Port APR with a monitor stand, you can also press the undock request button on the docking control base (see Figure 1-7). Wait for the green dock indicator to turn off.

3. Gently push the eject lever toward the back of the C/Port APR to separate the computer from the C/Port APR (see Figure 1-8).



**Figure 1-8. Undocking the Computer**

4. If you are using Windows NT, you will see several Device Removal messages. Click OK for each one.

## Softex Docking Services

If your computer is using Windows NT 4.0, the Softex Docking Services software has been installed. This software contains support for the following features:

- Hot-docking and warm-undocking a Latitude CP Series portable computer from supported docking stations
- Hot-swapping devices such as diskette drives, hard-disk drives, large-storage drives and CD-ROM drives to and from your portable computer's device bay
- Compatibility with the Power Management Controller that allows you to suspend and resume your portable computer without affecting your ability to use the docking station
- Docking or undocking your portable computer while it is in suspend mode

- Docking services available in French, German, Italian, Spanish and Japanese

For the latest information on these services and the Softex user's guides, see <http://www.dell.com/products/notebook/latitude/NT40.htm>.

## Securing the C/Port APR

Use one of the following methods to secure the C/Port APR:

- A padlock alone or a padlock and looped security cable with the padlock hole (see Figure 1-1) on the C/Port APR.

A padlock alone blocks the eject lever and makes it difficult to detach the computer from the C/Port APR.

A security cable looped around a stationary object and used in conjunction with the padlock can help prevent the unauthorized movement of the computer and the C/Port APR.

- A commercially available antitheft device attached to the security lock slot (see Figure 1-1) on the C/Port APR. Antitheft devices usually include a segment of metal-stranded cable with an attached locking device and associated key. Complete instructions for installing this kind of antitheft device are included with the device.
- Bolt the docking control base (with the C/Port APR connected) to the desk or work surface using the following procedure:

1. **Drill two holes in the desk or work surface. The centers of the holes should be 6 inches apart.**
2. **Save all files, close and exit all application programs, and exit the operating system. Turn off the computer.**
3. **Remove the monitor stand if one is attached to the docking control base.**
4. **Undock the computer.**

For instructions, see "Undocking the Computer" found earlier in this document.

5. **Detach all cables—including the AC adapter cable—from the C/Dock Expansion Station.**
6. **Turn over the docking control base, and locate the two slotted bolt holes at the top of the tray. Insert the head of a carriage bolt into each bolt hole.**

Use a 1/4-inch (6-millimeter [mm]) carriage bolt. Select a bolt length appropriate for the thickness of your desk.

7. **Turn the tray back over, and fit the bolts into the holes you drilled in step one.**

8. **Finish bolting the tray to the desk.**

Select a washer and nut appropriate for the bolt.

## Using the C/Port APR With a Network

Drivers for running Windows 95, Windows 98 and Windows NT 4.0 in a Novell<sup>®</sup> NetWare<sup>®</sup> environment are installed on your computer. Drivers for NetWare 3.12 and 4.10 are also installed.

*NOTE: Alert your network administrator before connecting the C/Port APR to a network.*

### Network Cable Requirements

The C/Port APR's RJ45 network connector (see Figure 1-9) is designed for attaching a shielded or unshielded twisted pair (UTP) Ethernet cable. Press one end of the UTP cable into the network connector until the cable snaps securely into place.

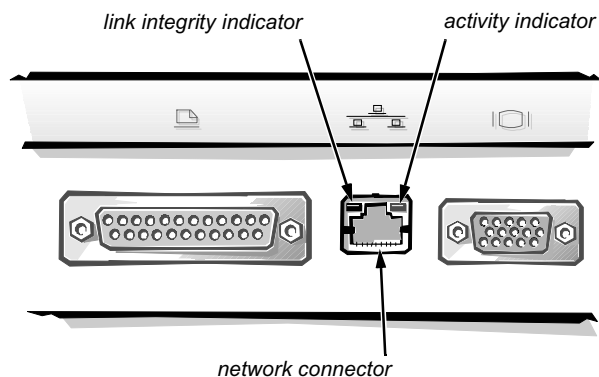
Connect the other end of the cable to an RJ45 jack wall plate or to an RJ45 port on a UTP concentrator or hub, depending on your network configuration. Observe the following cabling restrictions for 10BASE-T and 100BASE-TX networks:

- For 10-Mbps operation, use Category 3 or greater wiring and connectors. For 100-Mbps operation, use Category 5 wiring and connections. Voice and data lines should be in separate sheaths.

- The maximum cable run length (from a workstation to a concentrator) is 100 meters (m) (328 feet [ft]).
- The maximum number of workstations (not counting concentrators) on a network is 1024.
- The maximum number of daisy-chained concentrators on one network segment is four.

### Network Connector Indicators

The network connector on the C/Port APR has two indicators (see Figure 1-9):



**Figure 1-9. Network Connector Indicators**

- A green *link integrity indicator* lights up when a good connection exists between the network and the network connector on the C/Port APR. When the green indicator is off, the computer is not detecting a physical connection to the network. When the green light blinks, the network cable has reversed polarity and you should use another cable.
- A yellow *activity indicator* flashes when the system is transmitting or receiving network data. (A high volume of network traffic may make this indicator appear to be in a steady “on” state.)

# Diagnostics

The Dell Diagnostics that came with your Dell Latitude computer includes tests that help you troubleshoot the controllers in your C/Port APR.

The subtests in the Network Interface Test Group of the Dell Diagnostics verify the basic operation of the network controller in the C/Port APR. They test the controller's internal functions, including read and write access to its registers and internal transmit and receive (loopback) capability.

The subtests in the Serial/Infrared Ports Test Group check the C/Port APR's interface with external devices (such as a serial mouse or a printer). The subtests in this test group are not intended as a diagnostic test for the external device itself.

The subtests in the USB Test Group check the C/Port APR's interface with external devices (such as a mouse). The subtests in this test group are not intended as a diagnostic test for the external device itself.

For complete instructions on using the Dell Diagnostics, see Chapter 4, "Running the Dell Diagnostics," in the *Reference and Troubleshooting Guide* that accompanied your computer.

## Getting Help

If you do not understand a procedure described in this document, or if your C/Port APR does not perform as expected, you can call Dell for technical assistance. Use the appropriate telephone number found in the "Contacting Dell" section of the computer's online *System User's Guide* or in Chapter 5, "Getting Help," of the *Reference and Troubleshooting Guide* that accompanied your computer.

## Technical Specifications

Table 1-1 lists the technical specifications for the C/Port APR.

**Table 1-1. Technical Specifications**

Physical	
Height:	
With docking control base and monitor stand . . . . .	95.6 mm (3.76 inches)
With docking control base only . . . . .	55.2 mm (2.17 inches)
With short alignment tray . . . . .	54.8 mm (2.15 inches)
Standalone . . . . .	49.9 mm (2.00 inches)
Depth:	
With docking control base and monitor stand . . . . .	475.8 mm (18.73 inches)
With docking control base only . . . . .	475.8 mm (18.73 inches)
With short alignment tray . . . . .	206.7 mm (8.14 inches)
Standalone . . . . .	127.4 mm (5.01 inches)

*NOTE:* For the full name of an abbreviation or acronym used in this table, see the Glossary in the online System User's Guide.

**Table 1-1. Technical Specifications (continued)**

---

<b>Physical (continued)</b>	
Width:	
With docking control base and monitor stand . . . . .	374.7 mm (14.75 inches)
With docking control base only . . . . .	374.7 mm (14.75 inches)
With short alignment tray . . . . .	301.7 mm (11.87 inches)
Standalone . . . . .	301.7 mm (11.87 inches)
Weight:	
With docking control base and monitor stand . . . . .	4.1 kg (9.03 lb)
With docking control base only . . . . .	2.87 kg (6.32 lb)
With short alignment tray . . . . .	0.88 kg (1.94 lb)
Standalone . . . . .	0.67 kg (1.47 lb)
<hr/>	
<b>Power</b>	
<hr/>	
Voltage . . . . .	requires 20 VDC from AC adapter
Amperage . . . . .	3.5 A
<hr/>	
<b>I/O</b>	
<hr/>	
Serial (DTE) . . . . .	one 6550-compatible, 16-byte buffer connector
Parallel . . . . .	one unidirectional, bidirectional, or ECP connector
PS/2 . . . . .	two mini-DIN connectors
USB . . . . .	two stacked USB-compliant connectors
Infrared . . . . .	one infrared port compatible with IrDA Standards 1.1 (Fast IR) and 1.0
Audio line out . . . . .	audio jack (for optional headphones or speakers)

---

*NOTE: For the full name of an abbreviation or acronym used in this table, see the Glossary in the online System User's Guide.*

**Table 1-1. Technical Specifications (continued)**

<b>I/O(continued)</b>	
Video . . . . .	one connector
Network . . . . .	one RJ45 connector
Docking (to connect to computer) . . . . .	one connector
<b>Ethernet Network Controller</b>	
Chip set . . . . .	3Com 3C916B; 10/100 BASE-TX (PC97-compliant)
Data bus width . . . . .	32-bit PCI host bus interface
IRQ . . . . .	IRQ10

*NOTE: For the full name of an abbreviation or acronym used in this table, see the Glossary in the online System User's Guide.*

## **Regulatory Notices**

All regulatory labels for the Dell Latitude C/Port APR are located on the bottom.

### **FCC Class B Notice (U.S. Only)**

NOTE: This equipment generates, uses, and can radiate radio frequency energy and, if not installed and used in accordance with the manufacturer's instruction manual, may cause interference with radio and television reception. This equipment has been tested and found to comply with the limits for a Class B digital device pursuant to Part 15 of the Federal Communications Commission (FCC) Rules. These limits are designed to provide reasonable protection against harmful interference in a residential installation. However, there is no guarantee that interference will not occur in a particular installation. If this equipment does cause harmful interference with radio or television reception, which can be determined by turning the equipment off and on, you are encouraged to try to correct the interference by one or more of the following measures:

- Reorient the receiving antenna.
- Relocate the computer with respect to the receiver.

- Move the computer away from the receiver.
- Plug the computer into a different outlet so that the computer and the receiver are on different branch circuits.

If necessary, consult a representative of Dell Computer Corporation or an experienced radio/television technician for additional suggestions. You may find the following booklet helpful: *FCC Interference Handbook, 1986*, available from the U.S. Government Printing Office, Washington, DC 20402, Stock No. 004-000-00450-7.

Note that FCC regulations provide that changes or modifications not expressly approved by Dell Computer Corporation could void your authority to operate this equipment. Furthermore, shielded cables must be used when you connect peripherals to any Dell device.

This device complies with Part 15 of the FCC Rules. Operation is subject to the following two conditions:

- This device may not cause harmful interference.
- This device must accept any interference received, including interference that may cause undesired operation.



The following information is provided about the device or devices covered by this document in compliance with FCC regulations:

- Product name: Dell Latitude C/Port Advanced Port Replicator
- Model number: PDS
- Company name: Dell Computer Corporation  
Regulatory Department  
One Dell Way  
Round Rock, Texas 78682 USA  
512-338-4400

## **IC Notice (Canada Only)**

Most Dell portable computers (and other Dell digital apparatus) are classified by the Industry Canada (IC) Interference-Causing Equipment Standard #3 (ICES-003) as Class B digital devices. To determine which classification (Class A or B) applies to your computer (or other Dell digital apparatus), examine all registration labels located on the bottom or the back panel of your computer (or other digital apparatus). A statement in the form of “IC Class A ICES-3” or “IC Class B ICES-3” will be located on one of these labels.

Note that Industry Canada regulations provide that changes or modifications not expressly approved by Dell Computer Corporation could void your authority to operate this equipment.

This Class B (or Class A, if so indicated on the registration label) digital apparatus meets the requirements of the Canadian Interference-Causing Equipment Regulations.

Cet appareil numérique de la Classe B (ou Classe A, si ainsi indiqué sur l'étiquette d'enregistrement) respecte toutes les exigences du Règlement sur le Matériel Brouilleur du Canada.

## **EN 55022 Compliance (Czech Republic Only)**

This device belongs to category B devices as described in EN 55022, unless it is specifically stated that it is a category A device on the specification label. The following applies to devices in category A of EN 55022 (radius of protection up to 30 meters). The user of the device is obliged to take all steps necessary to remove sources of interference to telecommunication or other devices.

Pokud není na typovém štítku počítače uvedeno, že spadá do třídy A podle EN 55022, spadá automaticky do třídy B podle EN 55022. Pro zařízení zařazená do třídy A (ochranné pásmo 30m) podle EN 55022 platí následující. Dojde-li k rušení telekomunikačních nebo jiných zařízení, je uživatel povinen provést taková opatření, aby rušení odstranil.

## **CE Notice**

Marking by the symbol **CE** indicates compliance of this Dell portable computer to the EMC (Electromagnetic Compatibility) directive of the European Community. Such marking is indicative that this Dell portable computer meets or exceeds the following technical standards:

- EN 55022 — “Limits and Methods of Measurement of Radio Interference Characteristics of Information Technology Equipment.”

*NOTE: EN 55022 emissions requirements provide for two classifications—Class A and Class B. If any one of the registration labels (located on the bottom or back panel of your computer, on card-mounting brackets, or on the cards themselves) carries an FCC Class A rating, the following warning applies to your portable computer.*

**WARNING: This is a Class A product. In a domestic environment this product may cause radio interference in which case the user may be required to take adequate measures.**

- EN 50082-1 — “Electromagnetic compatibility— Generic immunity standard Part 1: Residential, commercial, and light industry.”
- IEC 801-2 — “Electromagnetic compatibility for industrial-process measurement and control equipment Part 2: Electrostatic discharge requirements.” — Severity level 3.
- IEC 801-3 — “Electromagnetic compatibility for industrial-process measurement and control equipment Part 3: Radiated electromagnetic field requirements.” — Severity level 2.
- IEC 801-4 — “Electromagnetic compatibility for industrial-process measurement and control equipment Part 4: Electrical fast transient/burst requirements.” — Severity level 2.
- EN60950:1992 + Amd.1:1993 + Amd.2:1993 — “Safety of Information Technology Equipment including Electrical Business Equipment.”

A “Declaration of Conformity” in accordance with the above standards has been made and is on file at Dell Products Europe BV, Limerick, Ireland.

## VCCI Notices (Japan Only)

Most Dell computer systems are classified by the Voluntary Control Council for Interference (VCCI) as Class B information technology equipment (ITE). However, the inclusion of certain options changes the rating of some configurations to Class A. To determine which classification applies to your computer system, examine the FCC classification on the registration labels located on the back panel of your computer, on card-mounting brackets, and on the cards themselves. If any one of the labels carries an FCC Class A designation, your entire system is considered to be VCCI Class A ITE. If *all* labels carry either an FCC Class B identification number or the FCC logo (FCC), your system is considered to be VCCI Class B ITE.

Once you have determined your system’s VCCI classification, read the appropriate VCCI notice. Note that VCCI regulations provide that changes or modifications not expressly approved by Dell Computer Corporation could void your authority to operate this equipment.

### Class A ITE

This is a Class A product based on the standard of the Voluntary Control Council for Interference for information technology equipment. If this equipment is used in a domestic environment, radio disturbance may arise. When such trouble occurs, the user may be required to take corrective actions.

### Class B ITE

This is a Class B product based on the standard of the Voluntary Control Council for Interference for information technology equipment. If this equipment is used near a radio or television receiver in a domestic environment, it may cause radio interference. Install and use the equipment according to the instruction manual.

## Korean Regulatory Notice

To determine which classification (Class A or B) applies to your portable computers (or other Dell digital apparatus), examine all registration labels located on the bottom or the back panel of your computer (or other digital apparatus), on card-mounting brackets, and on the cards themselves. If any one of the labels carries a Class A rating, your entire computer is considered to be a Class A digital device. If all labels carry the Class B rating, your computer is considered to be a Class B digital device.

*NOTE: Class A devices are for business purposes. Class B devices are for nonbusiness purposes.*

### Class A Device

Please note that this device has been approved for business purposes with regard to electromagnetic interference. If you find that this device is not suitable for your use, you may exchange it for a device that has been approved for use in residential as well as business environments.

### Class B Device

Please note that this device has been approved for non-business purposes and may be used in any environment, including residential areas.

## ***Polish Center for Testing and Certification Notice***

All equipment that works together (computer, monitor, printer, and so on) should have the same power supply source.

The phasing conductor of the room's electrical installation should have a reserve short-circuit protection device in the form of a fuse with a nominal value no larger than 10 amperes (A).

To completely switch off the equipment, the power supply cable must be removed from the power supply socket, which should be located near the equipment and easily accessible.

A protection mark "B" confirms that the equipment is in compliance with the protection usage requirements of standards PN-93/T-42107 and PN-89/E-06251.

## ***Wymagania Polskiego Centrum Badań i Certyfikacji***

Współpracujące ze sobą urządzenia (komputer, monitor, drukarka) powinny być zasilane z tego samego źródła.

Instalacja elektryczna pomieszczenia powinna zawierać w przewodzie fazowym rezerwową ochronę przed zwarzeniami, w postaci bezpiecznika o wartości znamionowej nie większej niż 10A (amperów).

W celu całkowitego wyłączenia urządzenia z sieci zasilania, należy wyjąć wtyczkę kabla zasilającego z gniazdka, które powinno znajdować się w pobliżu urządzenia i być łatwo dostępne.

Znak bezpieczeństwa "B" potwierdza zgodność urządzenia z wymaganiami bezpieczeństwa użytkownika zawartymi w PN-93/T-42107 i PN-89/E-06251.

## ***Pozostałe instrukcje bezpieczeństwa***

- Nie należy używać wtyczek adapterowych lub usuwać kołka obwodu ochronnego z wtyczki. Jeżeli konieczne jest użycie przedłużacza to należy użyć przedłużacza 3-żyłowego z prawidłowo połączonym przewodem ochronnym.
- System komputerowy należy zabezpieczyć przed nagłymi, chwilowymi wzrostami lub spadkami napięcia, używając eliminatora przepięć, urządzenia dopasowującego lub bezzakłócenowego źródła zasilania.
- Należy upewnić się, aby nic nie leżało na kablach systemu komputerowego, oraz aby kable nie były umieszczone w miejscu, gdzie można byłoby na nie nadeptywać lub potykać się o nie.
- Nie należy rozlewać napojów ani innych płynów na system komputerowy.
- Nie należy wpychać żadnych przedmiotów do otworów systemu komputerowego, gdyż może to spowodować pożar lub porażenie prądem, poprzez zwarcie elementów wewnętrznych.
- System komputerowy powinien znajdować się z dala od grzejników i źródeł ciepła. Ponadto, nie należy blokować otworów wentylacyjnych. Należy unikać kładzenia luźnych papierów pod komputer oraz umieszczania komputera w ciasnym miejscu bez możliwości cyrkulacji powietrza wokół niego.

## **NOM 024 Information (Mexico Only)**

The following information is provided on the device(s) described in this document in compliance with the requirements of the official Mexican standards (NOM 024):

Exporter:	Dell Computer Corporation One Dell Way Round Rock, TX 78682
Importer:	Dell Computer de México, S.A. de C.V. Rio Lerma No. 302 - 4° Piso Col. Cuauhtemoc 16500 México, D.F.
Ship to:	Dell Computer de México, S.A. de C.V. al Cuidado de Kuehne & Nagel de México S. de R.I. Avenida Soles No. 55 Col. Peñon de los Baños 15520 México, D.F.
Supply voltage:	100/250 VAC ±10%
Frequency:	50/60 Hz
Current consumption:	0.8/0.4 A

## **Información para NOM 024 (únicamente para México)**

La información siguiente se proporciona en el dispositivo o en los dispositivos descritos en este documento, en cumplimiento con los requisitos de la Norma Oficial Mexicana (NOM 024):

Exportador:	Dell Computer Corporation One Dell Way Round Rock, TX 78682
Importador:	Dell Computer de México, S.A. de C.V. Rio Lerma No. 302 - 4° Piso Col. Cuauhtemoc 16500 México, D.F.
Embarcar a:	Dell Computer de México, S.A. de C.V. al Cuidado de Kuehne & Nagel de México S. de R.I. Avenida Soles No. 55 Col. Peñon de los Baños 15520 México, D.F.
Tensión alimentación:	100/250 V.C.A. ±10%
Frecuencia:	50/60 Hz
Consumo de corriente:	0.8/0.4 A

## **Warranties**

If you purchased the Dell Latitude C/Port APR at the same time you purchased the Dell portable computer designed to be used with the C/Port APR, warranty information can be found in Appendix D, “Warranties and Return Policy,” of the *Reference and Troubleshooting Guide* that accompanied the computer.

If you purchased the C/Port APR separately, see the following subsections for warranty information.

### **Limited One-Year Warranty (U.S. and Canada Only)**

Dell Computer Corporation (“Dell”) manufactures its hardware products from parts and components that are new or equivalent to new in accordance with industry-standard practices. Dell warrants that the hardware products it manufactures will be free from defects in materials and workmanship. The warranty term is one year beginning on the date of invoice, as further described in the following text.

Damage due to shipping the products to you is covered under this warranty. Otherwise, this warranty does not cover damage due to external causes, including accident, abuse, misuse, problems with electrical power, servicing not authorized by Dell, usage not in accordance with product instructions, failure to perform required preventive maintenance, and problems caused by use of parts and components not supplied by Dell.

This warranty does not cover any items that are in one or more of the following categories: software; external devices (except as specifically noted); accessories or parts added to a Dell system after the system is shipped from Dell; accessories or parts added to a Dell system through Dell’s system integration department; accessories or parts that are not installed in the Dell factory; or DellWare<sup>SM</sup> products. Monitors, keyboards, and mice that are Dell-branded or that are included on Dell’s standard price list are covered under this warranty; all other monitors, keyboards, and mice (including those sold through the DellWare program) are not covered.

Dell will repair or replace products covered under this limited warranty that are returned to Dell’s facility. To request warranty service, you must call Dell’s Customer Technical Support within the warranty period. Refer to the chapter titled “Getting Help” in your *Diagnostics and Troubleshooting Guide* or the section titled “Contacting Dell” in your online *System User’s Guide* to find the appropriate telephone number for obtaining customer assistance. If warranty service is required, Dell will issue a Return Material Authorization Number. You must ship the products back to Dell in their original or equivalent packaging, prepay shipping charges, and insure the shipment or accept the risk of loss or damage during shipment. Dell will ship the repaired or replacement products to you (freight prepaid) if you use an address in the continental U.S. or Canada, where applicable. Shipments to other locations will be made freight collect.

*NOTE: Before you ship the product(s) to Dell, back up the data on the hard-disk drive(s) and any other storage device(s) in the product(s). Remove any removable media, such as diskettes, CDs, or PC Cards.*

Dell owns all parts removed from repaired products. Dell uses new and reconditioned parts made by various manufacturers in performing warranty repairs and building replacement products. If Dell repairs or replaces a product, its warranty term is not extended.

**DELL MAKES NO EXPRESS WARRANTIES OR CONDITIONS BEYOND THOSE STATED IN THIS WARRANTY STATEMENT. DELL DISCLAIMS ALL OTHER WARRANTIES AND CONDITIONS, EXPRESS OR IMPLIED, INCLUDING WITHOUT LIMITATION IMPLIED WARRANTIES AND STATES (OR JURISDICTIONS) DO NOT ALLOW LIMITATIONS ON IMPLIED WARRANTIES OR CONDITIONS, SO THIS LIMITATION MAY NOT APPLY TO YOU.**

**DELL’S RESPONSIBILITY FOR MALFUNCTIONS AND DEFECTS IN HARDWARE IS LIMITED TO REPAIR AND REPLACEMENT AS SET FORTH IN THIS WARRANTY STATEMENT. THESE WARRANTIES GIVE YOU SPECIFIC LEGAL RIGHTS AND YOU MAY ALSO HAVE OTHER RIGHTS WHICH VARY FROM STATE TO STATE (OR JURISDICTION TO JURISDICTION).**

DELL DOES NOT ACCEPT LIABILITY BEYOND THE REMEDIES SET FORTH IN THIS WARRANTY STATEMENT OR LIABILITY FOR INCIDENTAL OR CONSEQUENTIAL DAMAGES, INCLUDING WITHOUT LIMITATION ANY LIABILITY FOR PRODUCTS NOT BEING AVAILABLE FOR USE OR FOR LOST DATA OR SOFTWARE.

SOME STATES (OR JURISDICTIONS) DO NOT ALLOW THE EXCLUSION OR LIMITATION OF INCIDENTAL OR CONSEQUENTIAL DAMAGES, SO THE PRECEDING EXCLUSION OR LIMITATION MAY NOT APPLY TO YOU.

These provisions apply to Dell's limited one-year warranty only. For provisions of any service contract covering your system, refer to the separate service contract that you will receive.

If Dell elects to exchange a product or portion of a product, the exchange will be made in accordance with Dell's Exchange Policy in effect on the date of the exchange.

### ***“Total Satisfaction” Return Policy (U.S. and Canada Only)***

If you are an end-user customer who bought products directly from a Dell company, you may return them to Dell up to 30 days from the date of invoice for a refund of the product purchase price if already paid. This refund will not include any shipping and handling charges shown on your invoice. If you are an organization who bought the products from Dell under a written agreement with Dell, there may be different terms for the return of products under this policy, based on your agreement with Dell. To return products, you must call Dell Customer Service (at the telephone number listed in the chapter titled “Getting Help” in your *Reference and Troubleshooting Guide* or the section titled “Contacting Dell” in your online *System User's Guide*) to receive a Credit Return Authorization Number. You must ship the products to Dell in their original packaging, prepay shipping charges, and insure the shipment or accept the risk of loss or damage during shipment. You may return software for refund or credit only if the sealed package containing the diskette(s) or CD(s) is unopened. Returned products must be in as-new condition, and all of the manuals, diskette(s), CD(s), power cables, and other items included with a product must be returned with it.

This “Total Satisfaction” Return Policy does not apply to DellWare products, which may be returned under DellWare's then-current return policy.



# Index

## A

AC adapter, 1-4

assistance  
technical, 1-9

## C

C/Port APR

connecting external devices, 1-3  
docking control base, 1-6  
docking software, 1-7  
docking to computer, 1-1, 1-5  
features, 1-2  
I/O panel connectors, 1-3  
infrared port, 1-4  
line-out jack, 1-4  
monitor stand, 1-4  
network usage, 1-8  
securing, 1-7  
undocking from computer, 1-6  
connecting external devices, 1-3

## D

Dell Diagnostics, 1-9  
docking C/Port APR to computer, 1-5  
docking control base, 1-6  
docking software, 1-7

## F

features, 1-2

## H

help  
calling for technical assistance, 1-9

## I

I/O panel connectors, 1-3  
indicators  
docking control base, 1-6  
network connector, 1-8  
infrared port, 1-4

## L

line-out jack, 1-4

## M

monitor stand, 1-4



## **N**

network connector  
  about, 1-3  
  cable requirements, 1-8  
  indicators, 1-8

network drivers, 1-8

## **R**

regulatory notices, 1-11

return policy, 1-16, 1-17

## **S**

securing the C/Port APR, 1-7

## **T**

technical assistance, 1-9

technical specifications, 1-9

## **U**

undocking C/Port APR, 1-6

## **W**

warranty information, 1-16