


Berry AMD IO Board Schematics Document

2010-02-24

REV : A00

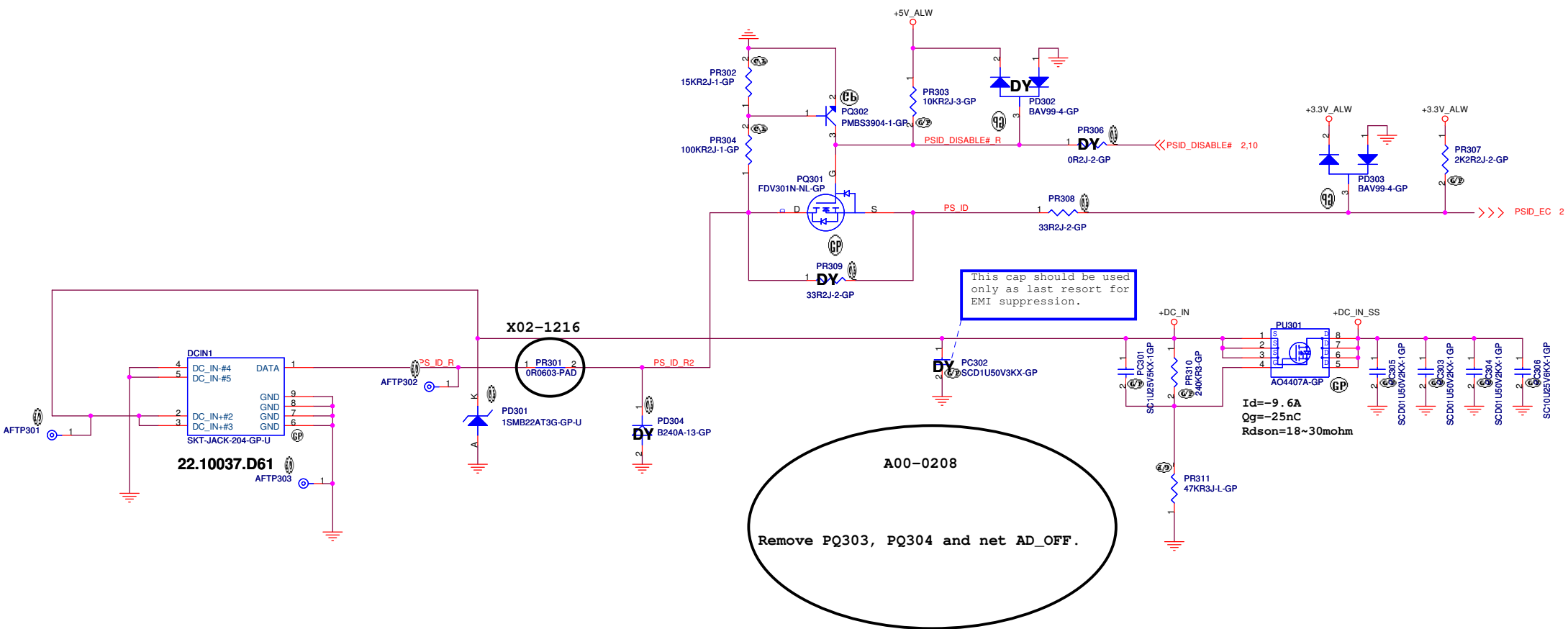
DY : Nopop Component

<Core Design>

		Wistron Corporation 21F, 88, Sec. 1, Hsin Tai Wu Rd., Hsichih, Taipei Hsien 221, Taiwan, R.O.C.
Title		
Cover Page		
Size A3	Document Number Berry IO Board	Rev X02
Date: Wednesday, February 24, 2010	Sheet 1	of 12

SSID = PWR.Support

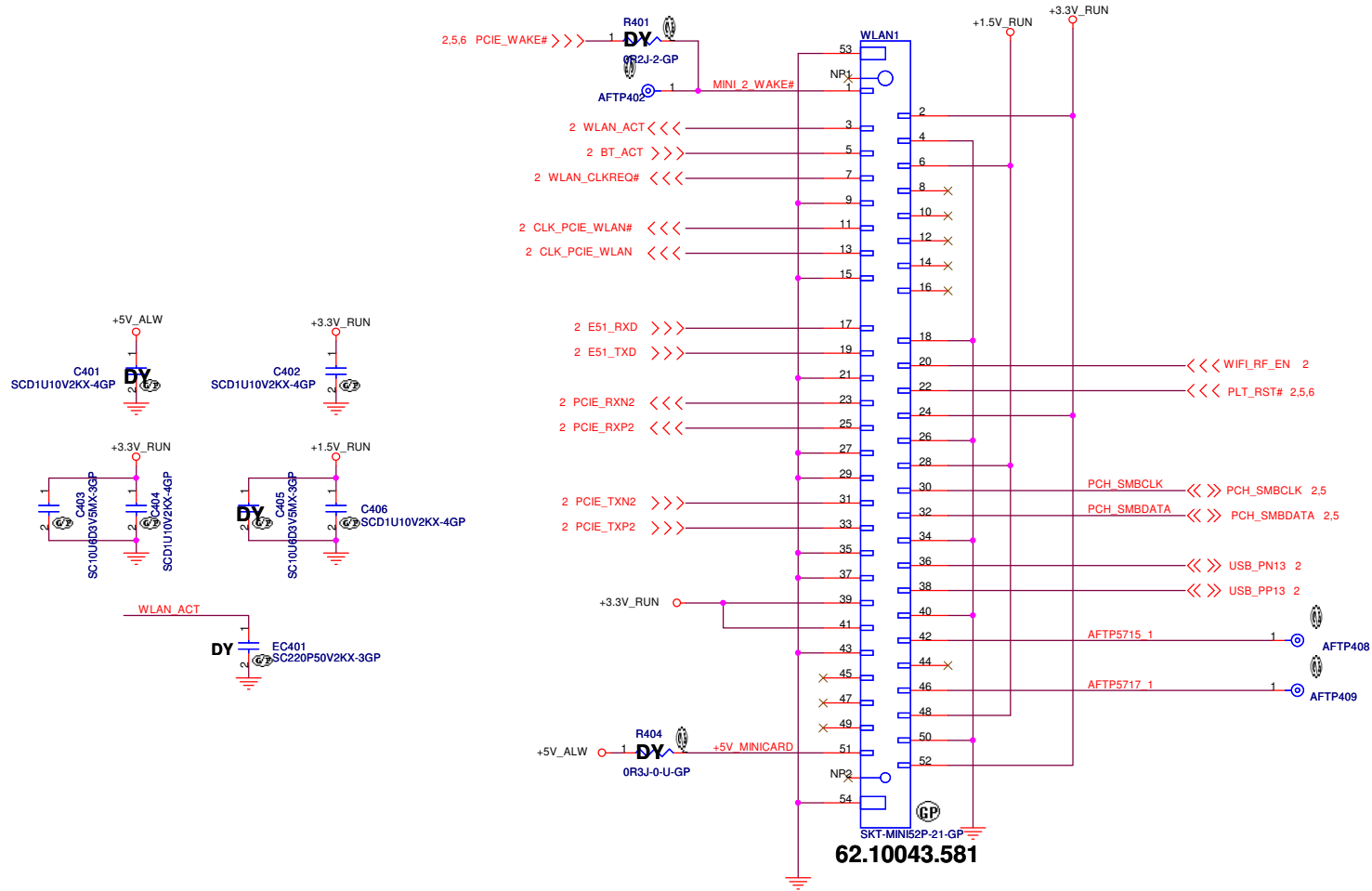
DCin CONN




A00-0208
Remove PQ303, PQ304 and net AD_OFF.

SSID = Wireless

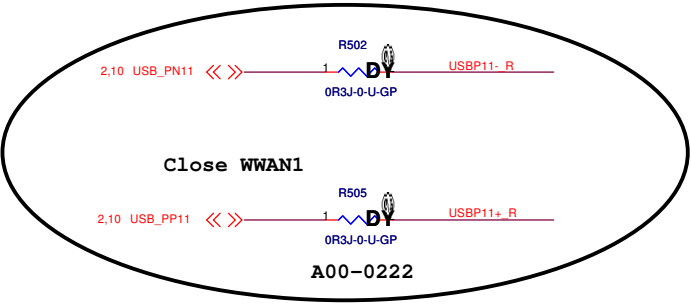
Mini Card Connector(802.11a/b/g)



<Core Design>

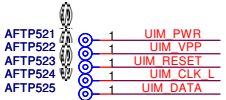
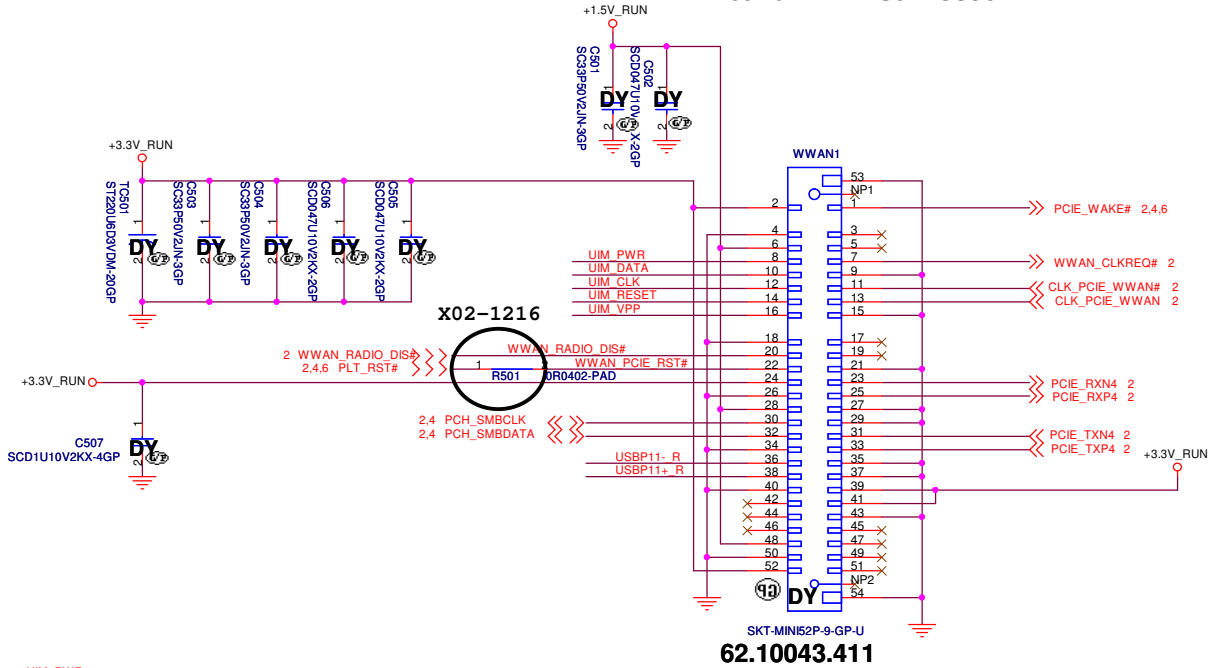
 Wistron Corporation 21F, 88, Sec. 1, Hsin Tai Wu Rd., Hsichih, Taipei Hsien 221, Taiwan, R.O.C.		BATT CONN	
		Title	
Size A3	Document Number Berry IO Board	Rev X02	
Date: Wednesday, December 30, 2009		Sheet 4	of 12

Layout note: Place caps C401~C407 close WWAN1 connector.

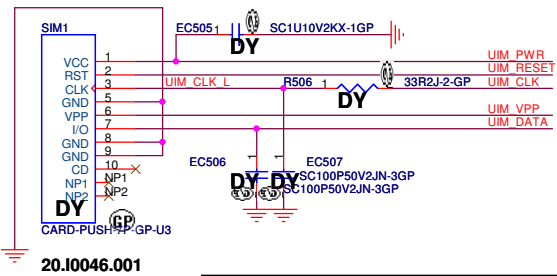
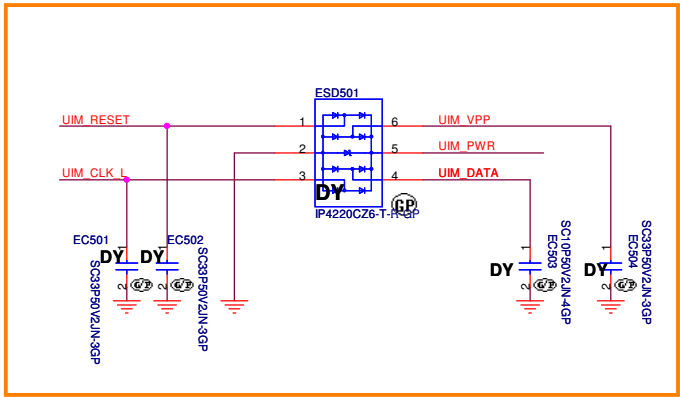


C901 Please near WWAN1

MiniCard WWAN connector



Close to SIM1



Place caps EC806, EC807 closest to SIM1

DATA and CLK need keep away about 12mil

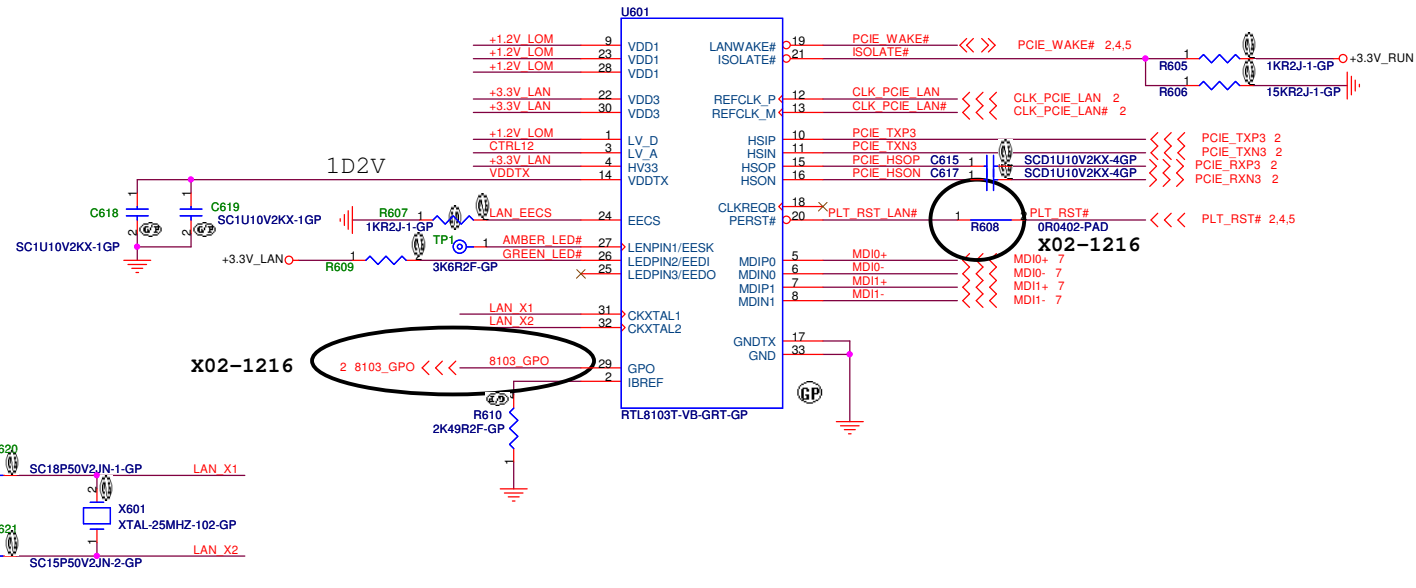
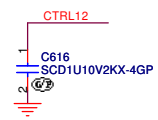
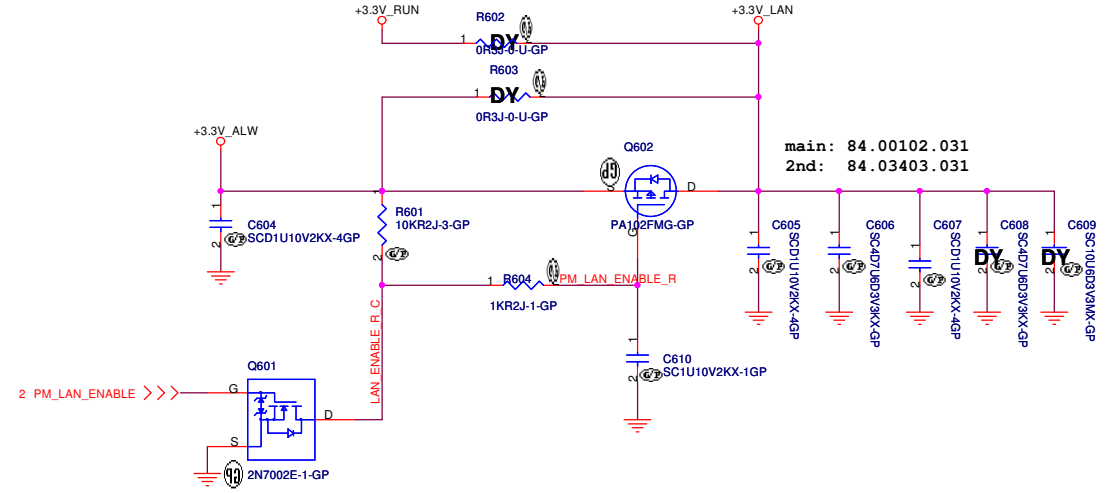
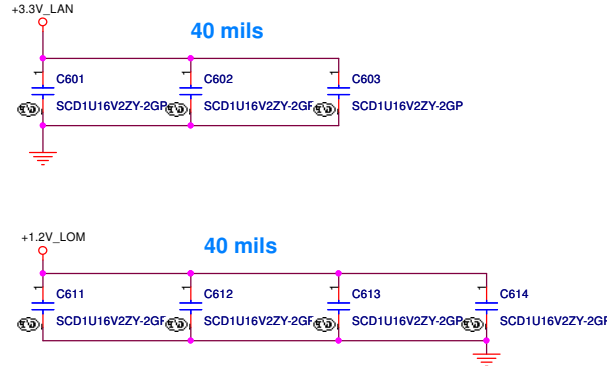
<Core Design>

Wistron Corporation
21F, 88, Sec.1, Hsin Tai Wu Rd., Hsichih,
Taipei Hsien 221, Taiwan, R.O.C.

Title: **WWAN/SIM Card**

Size: **A3** Document Number: **Berry IO Board** Rev: **X02**

Date: Monday, February 22, 2010 Sheet 5 of 12



Main: 82.30020.851
2nd : 82.30020.791

<Core Design>

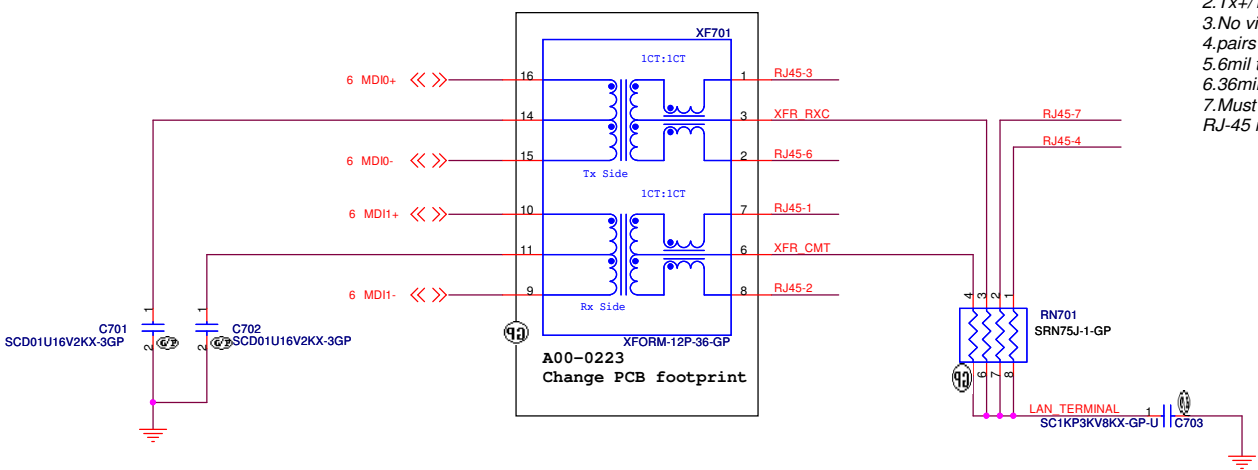
Wistron Corporation
21F, 88, Sec. 1, Hsin Tai Wu Rd., Hsichih,
Taipei Hsien 221, Taiwan, R.O.C.

Title: **LAN RTL8103T**

Size	Document Number	Rev
		X02

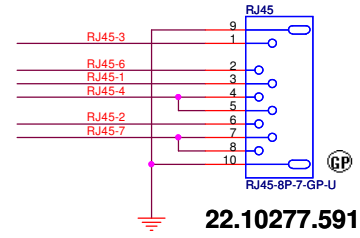
Date: Wednesday, February 24, 2010 Sheet 6 of 12

10/100M Lan Transformer

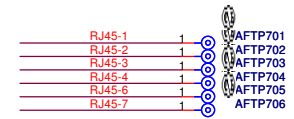


1. route on bottom as differential pairs.
2. Tx+/Tx- are pairs. Rx+/Rx- are pairs.
3. No vias, No 90 degree bends.
4. pairs must be equal lengths.
5. 6mil trace width, 12mil separation.
6. 36mil between pairs and any other trace.
7. Must not cross ground moat, except RJ-45 moat.

RJ45 Connector



22.10277.591



<Core Design>

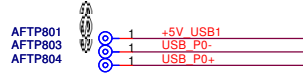
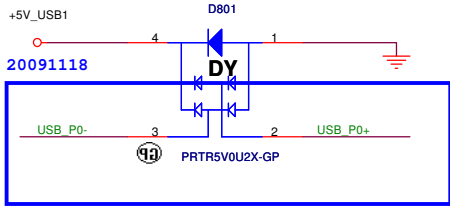
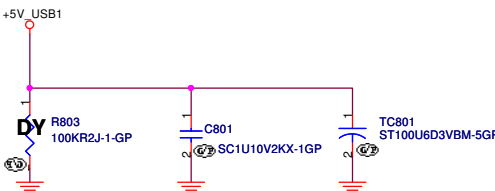
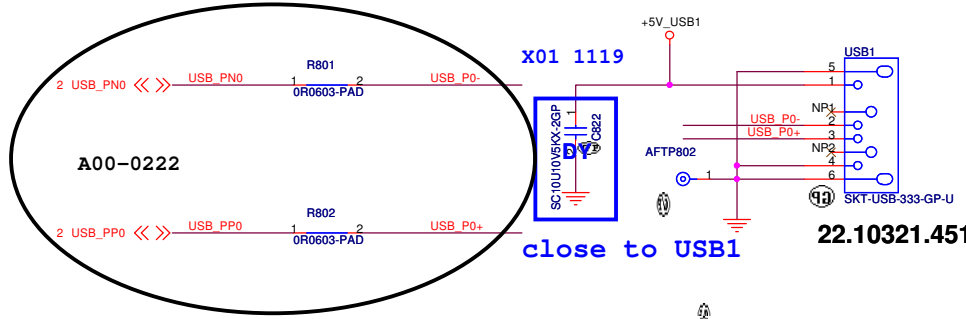
DELL Wistron Corporation
21F, 88, Sec. 1, Hsin Tai Wu Rd., Hsichih, Taipei Hsien 221, Taiwan, R.O.C.

Title: **XFORM**

Size: **A3** Document Number: **Berry IO Board** Rev: **X02**

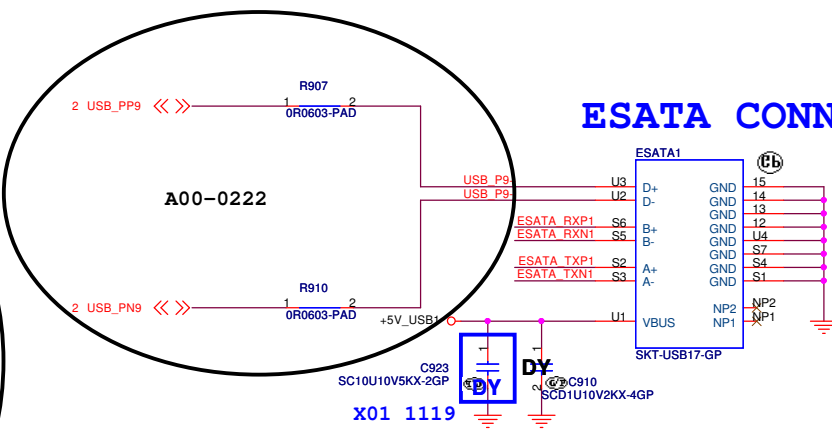
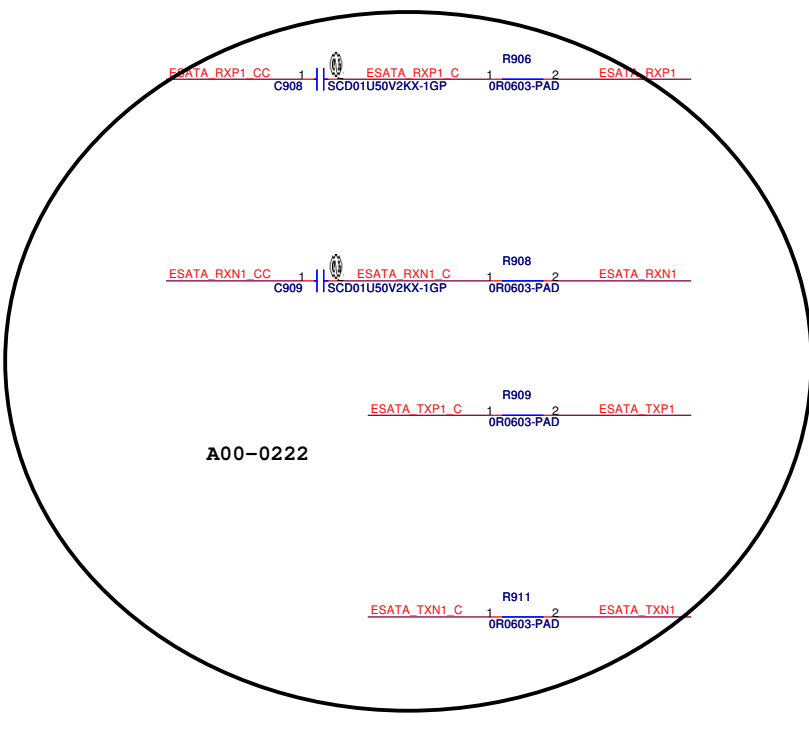
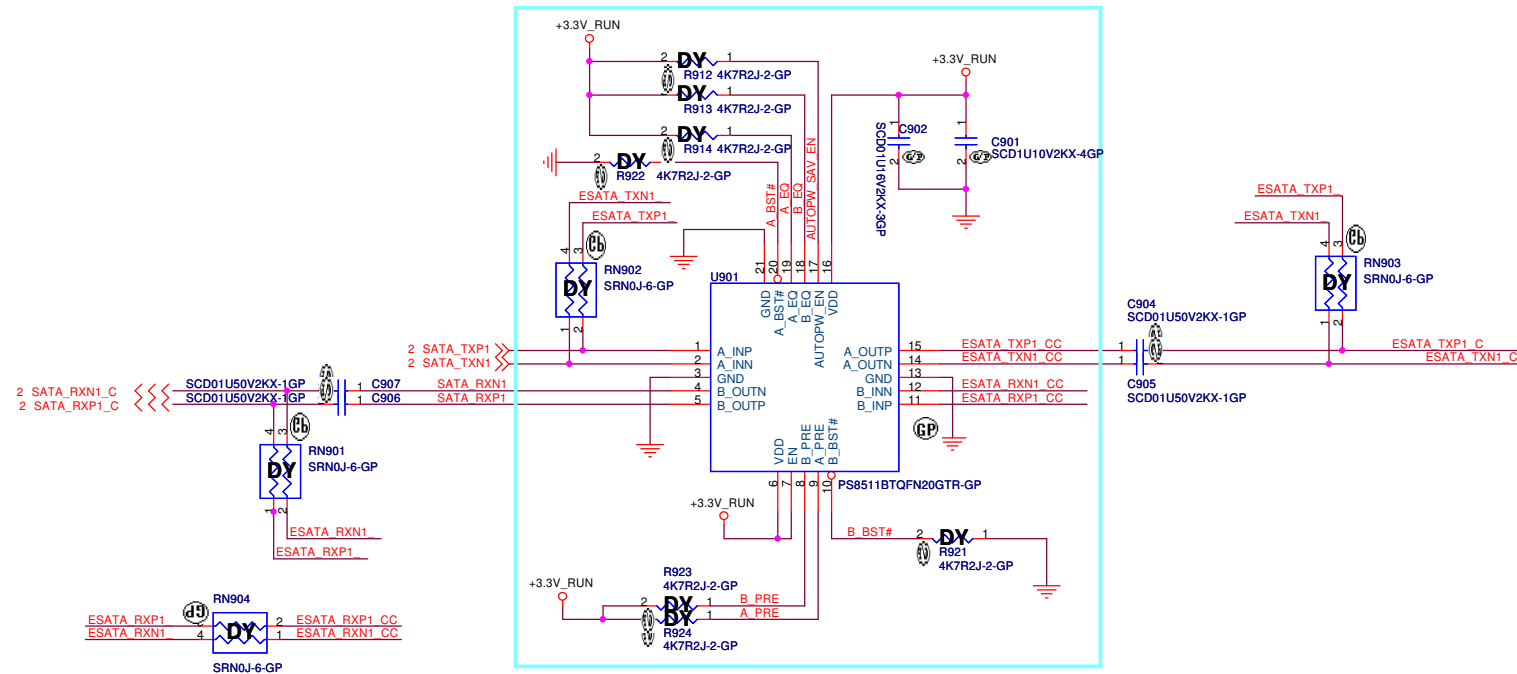
Date: Tuesday, February 23, 2010 Sheet 7 of 12

SSID = USB

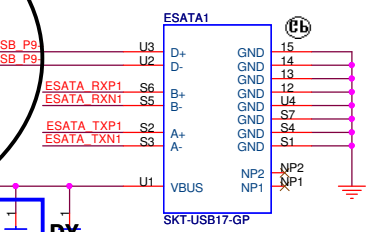


SSID = ESATA

Block A



ESATA CONN



close to **ESATA1**

- AFTP901 -> 1 -> USB P9-
- AFTP902 -> 1 -> USB P9+
- AFTP903 -> 1 -> ESATA RXN1
- AFTP904 -> 1 -> ESATA RXP1
- AFTP905 -> 1 -> ESATA TXN1
- AFTP906 -> 1 -> ESATA TXP1
- AFTP907 -> 1 -> +5V_USB1
- AFTP908 -> 1 -> GND

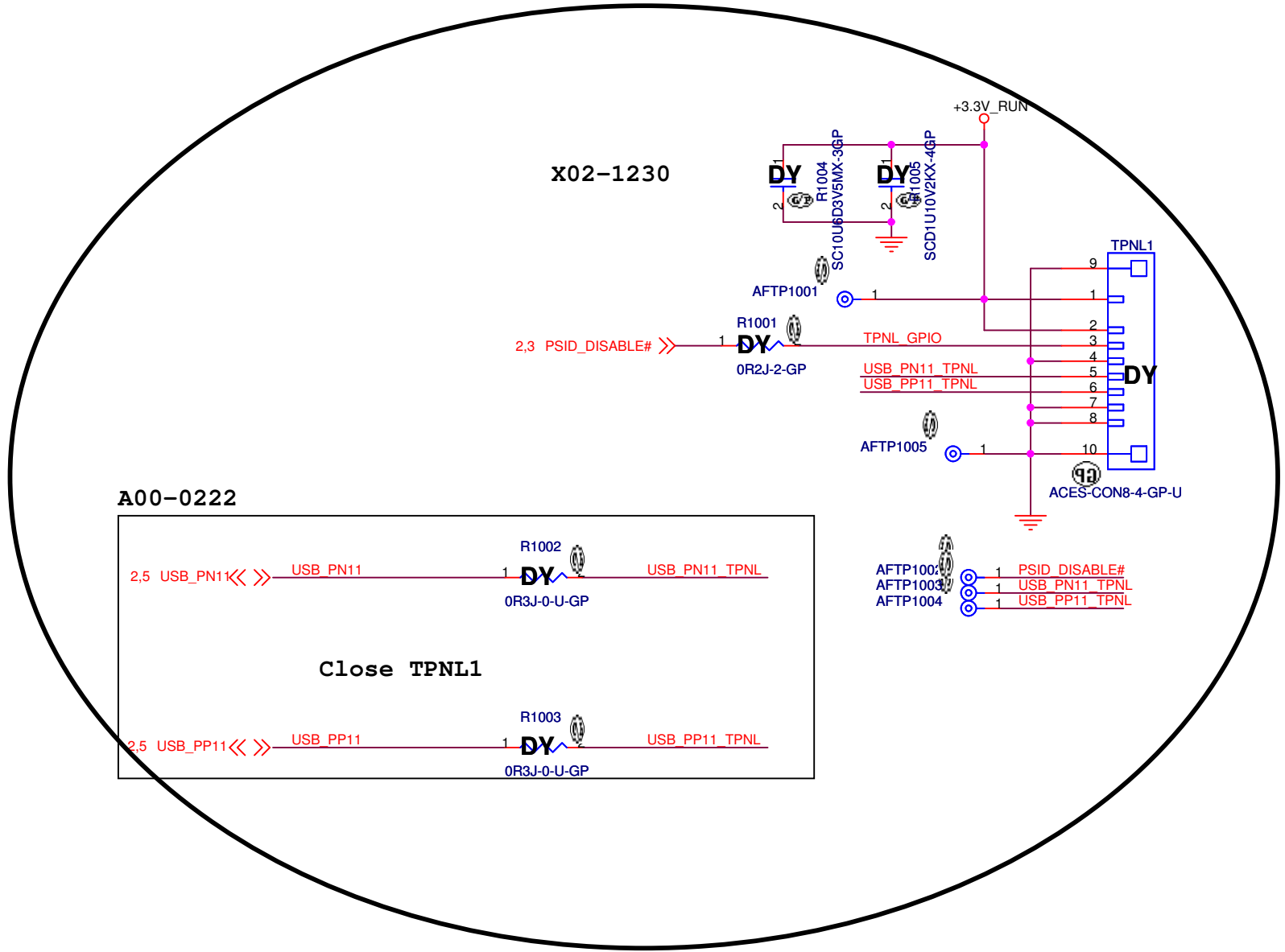
<Core Design>

DELL Wistron Corporation
21F, 88, Sec. 1, Hsin Tai Wu Rd., Hsichih, Taipei Hsien 221, Taiwan, R.O.C.

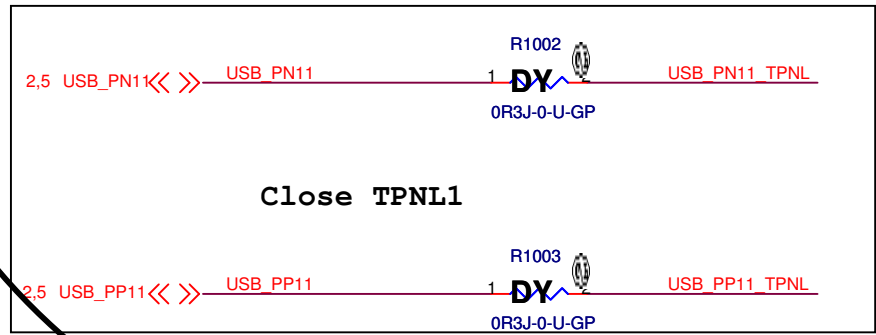
Title: **ESATA**

Size A3	Document Number	Rev X02
Berry IO Board		

Date: Wednesday, February 24, 2010 Sheet 9 of 12



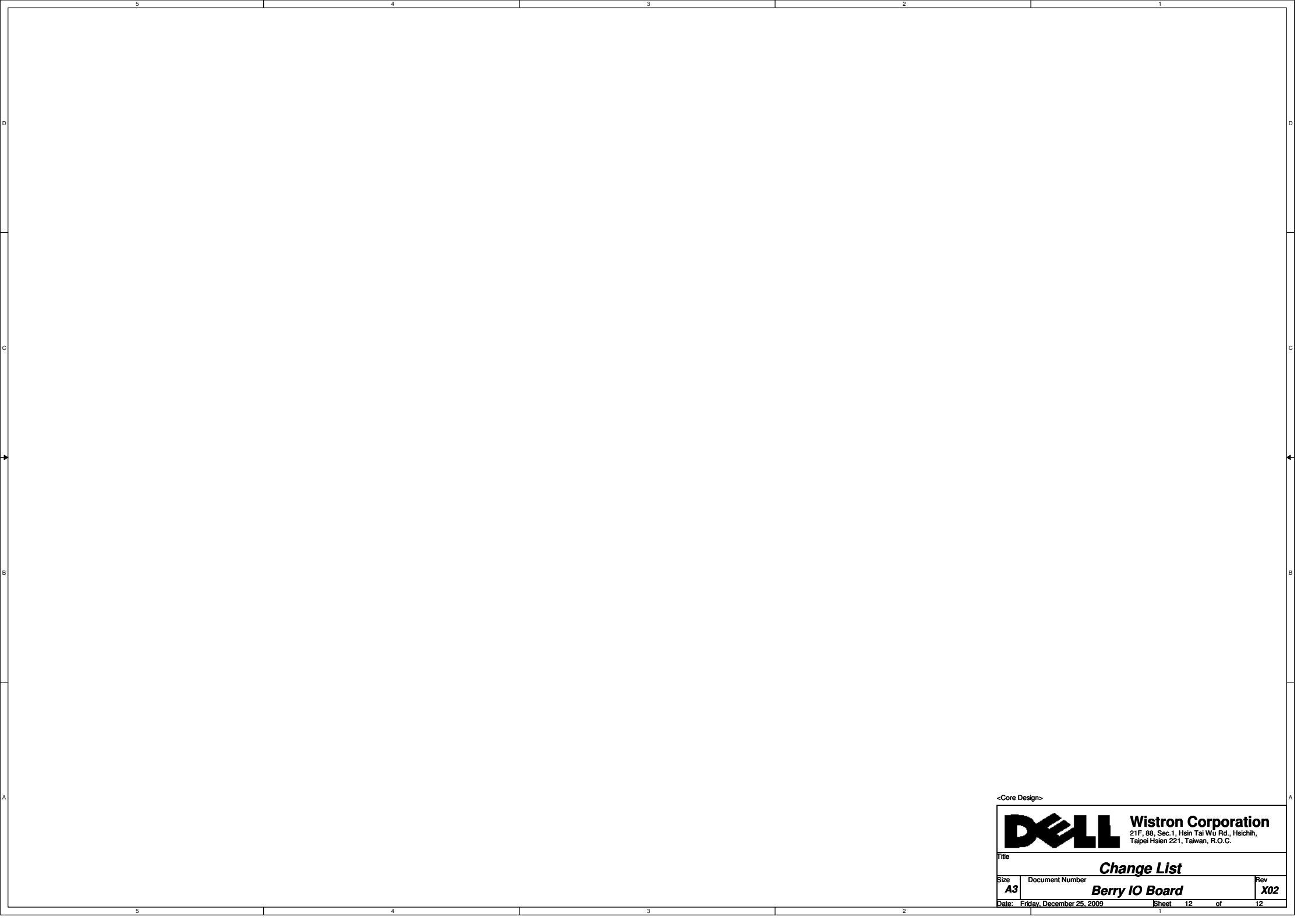
A00-0222



<Core Design>

DELL **Wistron Corporation**
 21F, 88, Sec.1, Hsin Tai Wu Rd., Hsichih,
 Taipei Hsien 221, Taiwan, R.O.C.

Title		
Touch Panel Conn		
Size	Document Number	Rev
A4	Berry IO Board	X02
Date:	Monday, February 22, 2010	Sheet 10 of 12



<Core Design>



Title		Change List	
Size	Document Number	Rev	
A3	Berry IO Board	X02	
Date: Friday, December 25, 2009	Sheet	12	of 12