

8

7

6

5

4

3

2

1

- 1. ALL RESISTANCE VALUES ARE IN OHMS, 0.1 WATT +/- 5%.
- 2. ALL CAPACITANCE VALUES ARE IN MICROFARADS.
- 3. ALL CRYSTALS & OSCILLATOR VALUES ARE IN HERTZ.

# SCHEM, DINO, Q41A

## 12/17/03


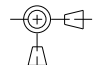
REV	ZONE	ECN	DESCRIPTION OF CHANGE	CK APPD	ENG APPD
				DATE	DATE
01		308080	ENGINEERING RELEASED	12/19/03	?

PART#	QTY	DESCRIPTION	REFERENCE DESIGNATOR(S)	BOM OPTION
815-7053	1	ALS DUST COVER	DC1	?

### PAGE CONTENTS

1	TITTLE PAGE AND CONTENTS
2	PCB NOTES
3	USB / SENSOR
4	POWER CONNECTOR
5	SIGNAL CONSTRAINTS
6	POWER CONSTRAINTS
7	COMPONENT LOCATIONS
8	SIGNAL LOCATIONS

PART#	QTY	DESCRIPTION	REFERENCE DESIGNATOR(S)	BOM OPTION
051-6600	1	SCHEM, DINO, Q41A	SCH1	
820-1617	1	PCBF, DINO, Q41A	PCB1	

DIMENSIONS ARE IN MILLIMETERS		<b>METRIC</b>		 Apple Computer Inc.	
XX :	_____	DRAPTER	/	DESIGN CK	/
X.XX :	_____	ENG APPD	/	MFG APPD	/
X.XXX :	_____	QA APPD	/	DESIGNER	/
ANGLES :	_____	RELEASE	/	SCALE	NONE
DO NOT SCALE DRAWING		MATERIAL/FINISH NOTED AS APPLICABLE		SIZE	D
 THIRD ANGLE PROJECTION		DRAWING NUMBER		051-6600	REV. 01
				SHT 1 OF 8	

8

7

6

5

4

3

2

1

# PCB SPECS

THICKNESS : 1.2 MM / 0.047 IN  
 1/2 OZ CU THICKNESS: 0.7 MILS  
 1.0 OZ CU THICKNESS: 1.4 MILS

IMPEDANCE : 50 OHMS +/- 10%  
 DIELECTRIC: FR-4  
 LAYER COUNT: 12  
 SIGNAL TRACE WIDTH: 4 MILS  
 SIGNAL TRACE SPACING: 4 MILS  
 PREPREG THICKNESS: 2-3 MILS

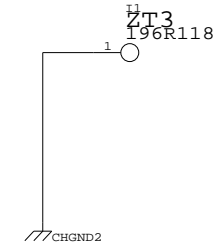
SEE PCB CAD FILES FOR MORE SPECIFIC INFO.

## BOARD STACK-UP AND CONSTRUCTION

20R10 TH VIA OR VIA IN PAD

1	SIGNAL (1/3 OZ + COPPER PLATING)
2 PREPREG (3MIL)	GROUND (1/2 OZ)
3 LAMINATE (4MIL)	SIGNAL (1/2 OZ)
4 PREPREG (3MIL)	SIGNAL (1/2 OZ)
5 LAMINATE (4MIL)	GROUND (1/2 OZ)
6 PREPREG (2MIL)	CUT POWER PLANE(1 OZ)
7 LAMINATE (3MIL)	CUT POWER PLANE(1 OZ)
8 PREPREG (2MIL)	GROUND (1/2 OZ)
9 LAMINATE (4MIL)	SIGNAL (1/2 OZ)
10 PREPREG (3MIL)	SIGNAL (1/2 OZ)
11 LAMINATE (4MIL)	GROUND (1/2 OZ)
12 PREPREG (3MIL)	SIGNAL (1/3 OZ + COPPER PLATING)

## BOARD HOLES

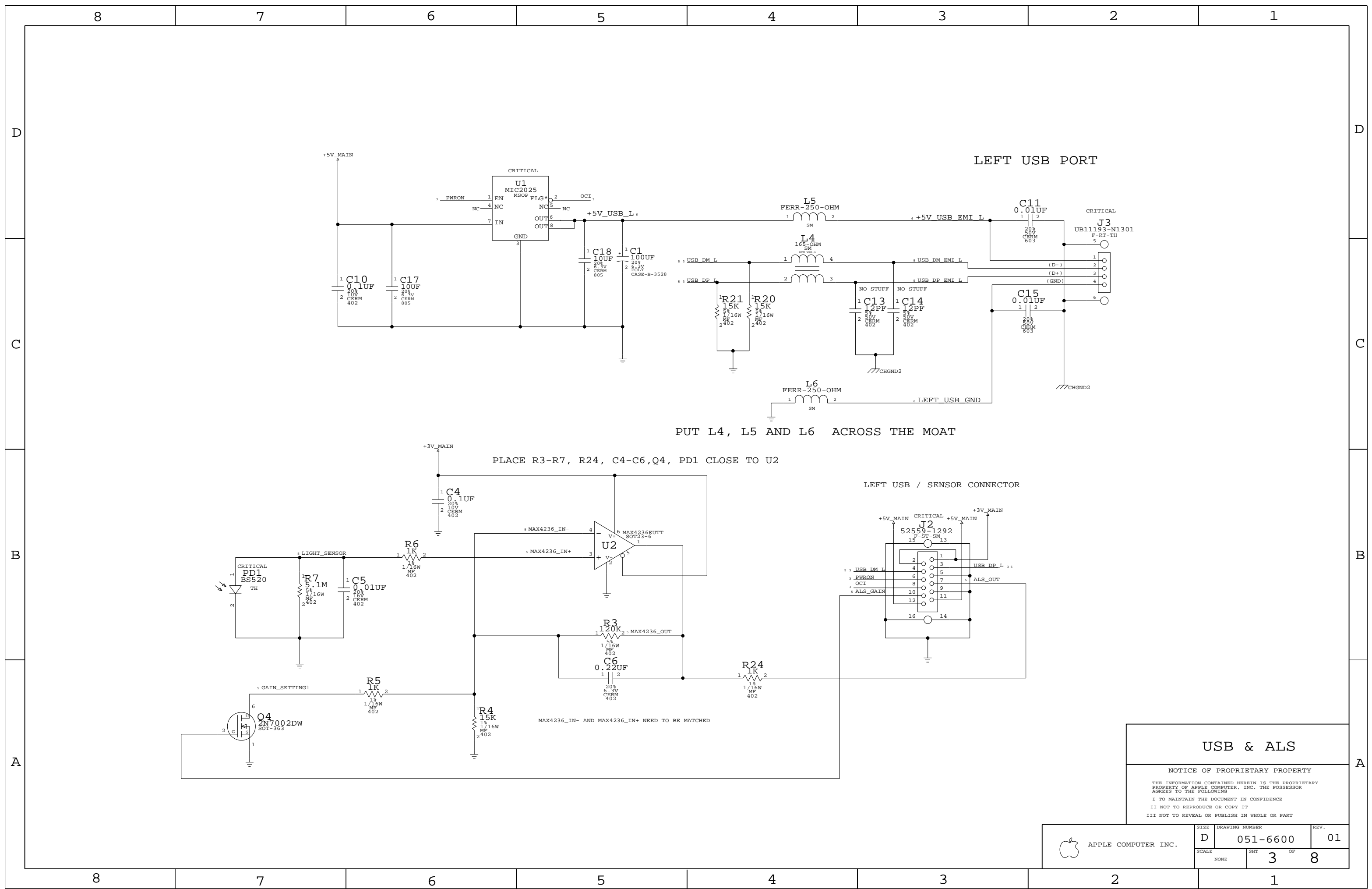


## PCB BOARD STANDOFFS

### BOARD INFORMATION

NOTICE OF PROPRIETARY PROPERTY  
 THE INFORMATION CONTAINED HEREIN IS THE PROPRIETARY  
 PROPERTY OF APPLE COMPUTER, INC. THE POSSESSOR  
 AGREES TO THE FOLLOWING  
 I TO MAINTAIN THE DOCUMENT IN CONFIDENCE  
 II NOT TO REPRODUCE OR COPY IT  
 III NOT TO REVEAL OR PUBLISH IN WHOLE OR PART

APPLE COMPUTER INC.	SIZE	DRAWING NUMBER	REV.
	D	051-6600	01
SCALE	SHT		OF
NONE	2		8



LEFT USB PORT

PUT L4, L5 AND L6 ACROSS THE MOAT

PLACE R3-R7, R24, C4-C6, Q4, PD1 CLOSE TO U2

LEFT USB / SENSOR CONNECTOR

USB & ALS

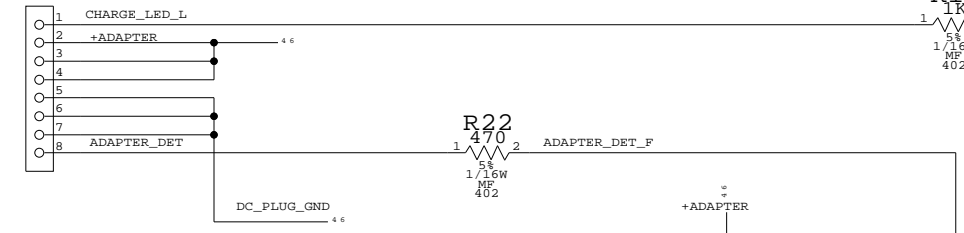
NOTICE OF PROPRIETARY PROPERTY

THE INFORMATION CONTAINED HEREIN IS THE PROPRIETARY PROPERTY OF APPLE COMPUTER, INC. THE POSSESSOR AGREES TO THE FOLLOWING  
 I TO MAINTAIN THE DOCUMENT IN CONFIDENCE  
 II NOT TO REPRODUCE OR COPY IT  
 III NOT TO REVEAL OR PUBLISH IN WHOLE OR PART

APPLE COMPUTER INC.	SIZE	DRAWING NUMBER	REV.
	D	051-6600	01
SCALE	SHT OF		
NONE	3 OF		8

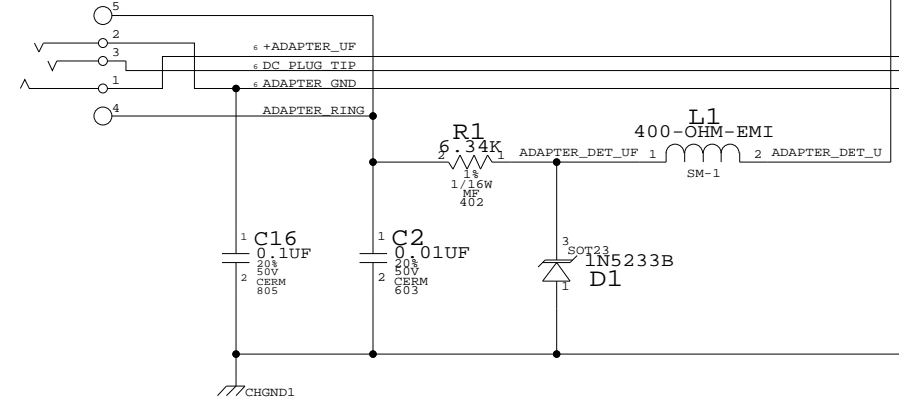
POWER CONNECTOR

CRITICAL  
J4  
87437-0833  
M-ST-SM

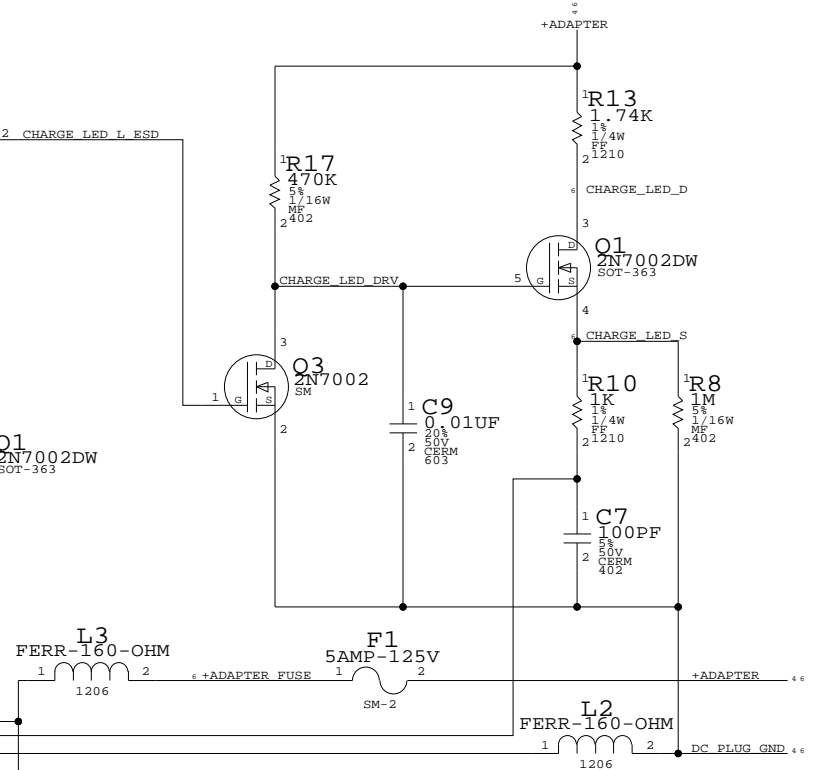


DC POWER JACK

CRITICAL  
J1  
JPD1133-W01  
F-RT-TH



CHARGE LED SUPPORT



PLACE C2, C3 AND C16 CLOSE TO J1  
PLACE L1, L2 AND L3 CLOSE TO J1

DC POWER INTERFACE

NOTICE OF PROPRIETARY PROPERTY

THE INFORMATION CONTAINED HEREIN IS THE PROPRIETARY PROPERTY OF APPLE COMPUTER, INC. THE POSSESSOR AGREES TO THE FOLLOWING

I TO MAINTAIN THE DOCUMENT IN CONFIDENCE

II NOT TO REPRODUCE OR COPY IT

III NOT TO REVEAL OR PUBLISH IN WHOLE OR PART

APPLE COMPUTER INC.	SIZE	DRAWING NUMBER	REV.
	D	051-6600	01
SCALE	SHT		OF
NONE	4		8

8

7

6

5

4

3

2

1

### Differential Signals

GROUP	SIG_NAME	DIFFERENTIAL_PAIR	MATCHED_DELAY	MIN_LINE_WIDTH	NET_SPACING_TYPE	MAX_VIAS
USB						
	USB_DM_L	USB_D1	USB_DM:J2.4:L4.1:20	MIN_LINE_WIDTH=5	10 MIL SPACING	3
	USB_DP_L	USB_D1	USB_DP:J2.3:L4.2:20	MIN_LINE_WIDTH=5	10 MIL SPACING	3
	USB_DM_EMI_L	USB_D1_EMI	USB_D1_EMI:L4.4:J3.2:20	MIN_LINE_WIDTH=5	10 MIL SPACING	3
	USB_DP_EMI_L	USB_D1_EMI	USB_D1_EMI:L4.3:J3.3:20	MIN_LINE_WIDTH=5	10 MIL SPACING	3

### ALS SIGNALS

GROUP	SIG_NAME	DELAY_RULE	MATCHED_DELAY	STUB_LENGTH	MIN_LINE_WIDTH	NET_SPACING_TYPE
ALS						
	LIGHT_SENSOR				MIN_LINE_WIDTH=20	
	GAIN_SETTING1				MIN_LINE_WIDTH=20	
	MAX4236_IN+				MIN_LINE_WIDTH=20	
	MAX4236_IN-				MIN_LINE_WIDTH=20	
	MAX4236_OUT				MIN_LINE_WIDTH=20	
	ALS_GAIN				MIN_LINE_WIDTH=5	
	ALS_OUT				MIN_LINE_WIDTH=10	

FOR USB DIFFERENTIAL TRACES (ZSINGLE=45 OHM +- 10%, ZDIFF=90 OHM +- 15%)

	MICROSTRIP (OUTER LAYERS)	STRIPLINE (INTERNAL LAYERS)
TRACE WIDTH	4 MIL	5 MIL
SEPARATION OF TRACES	8 MIL	10 MIL

SIGNAL CONSTRAINTS - PAGE 3

NOTICE OF PROPRIETARY PROPERTY

THE INFORMATION CONTAINED HEREIN IS THE PROPRIETARY PROPERTY OF APPLE COMPUTER, INC. THE POSSESSOR AGREES TO THE FOLLOWING

I TO MAINTAIN THE DOCUMENT IN CONFIDENCE

II NOT TO REPRODUCE OR COPY IT

III NOT TO REVEAL OR PUBLISH IN WHOLE OR PART



APPLE COMPUTER INC.

SIZE	DRAWING NUMBER	REV.
D	051-6600	01
SCALE	SHT	OF
NONE	5	8

8

7

6

5

4

3

2

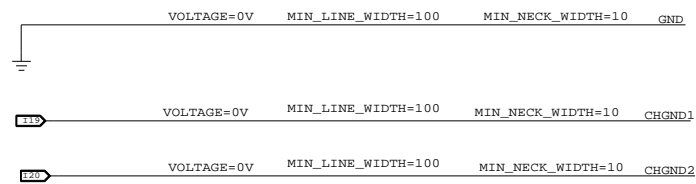
1

# POWER NET CONSTRAINTS

GROUP	SIG_NAME	VOLTAGE	MIN_LINE_WIDTH	MIN_NECK_WIDTH
ADAPTER	+5V_MAIN	VOLTAGE=5V	MIN_LINE_WIDTH=25	MIN_NECK_WIDTH=10
	+3V_MAIN	VOLTAGE=3.3V	MIN_LINE_WIDTH=25	MIN_NECK_WIDTH=10
	+ADAPTER_UF	VOLTAGE=24V	MIN_LINE_WIDTH=100	MIN_NECK_WIDTH=10
	+ADAPTER_FUSE	VOLTAGE=24V	MIN_LINE_WIDTH=100	MIN_NECK_WIDTH=10
	+ADAPTER	VOLTAGE=24V	MIN_LINE_WIDTH=100	MIN_NECK_WIDTH=10
	ADAPTER_GND	VOLTAGE=0V	MIN_LINE_WIDTH=100	MIN_NECK_WIDTH=10
	CHARGE_LED_D	VOLTAGE=	MIN_LINE_WIDTH=20	MIN_NECK_WIDTH=10
	CHARGE_LED_S	VOLTAGE=	MIN_LINE_WIDTH=20	MIN_NECK_WIDTH=10
	DC_PLUG_TIP	VOLTAGE=	MIN_LINE_WIDTH=20	MIN_NECK_WIDTH=10
	DC_PLUG_GND	VOLTAGE=0V	MIN_LINE_WIDTH=100	MIN_NECK_WIDTH=10
USB	+5V_USB_L	VOLTAGE=5V	MIN_LINE_WIDTH=20	MIN_NECK_WIDTH=10
	+5V_USB_EMI_L	VOLTAGE=5V	MIN_LINE_WIDTH=20	MIN_NECK_WIDTH=10
	LEFT_USB_GND	VOLTAGE=0V	MIN_LINE_WIDTH=20	MIN_NECK_WIDTH=10

## CHANGE HISTORY

- 1.IMPORTED 051-6474
- 2.CHANGED LM3526 TO MIC2025
3. ADDED ASL DUST COVER (815-7053) FOR THE BOM



SIGNAL CONSTRAINTS - PAGE 4

### NOTICE OF PROPRIETARY PROPERTY

THE INFORMATION CONTAINED HEREIN IS THE PROPRIETARY PROPERTY OF APPLE COMPUTER, INC. THE POSSESSOR AGREES TO THE FOLLOWING  
 I TO MAINTAIN THE DOCUMENT IN CONFIDENCE  
 II NOT TO REPRODUCE OR COPY IT  
 III NOT TO REVEAL OR PUBLISH IN WHOLE OR PART

APPLE COMPUTER INC.	SIZE	DRAWING NUMBER	REV.
	D	051-6600	01
SCALE	SHT	OF	
NONE	6	8	

