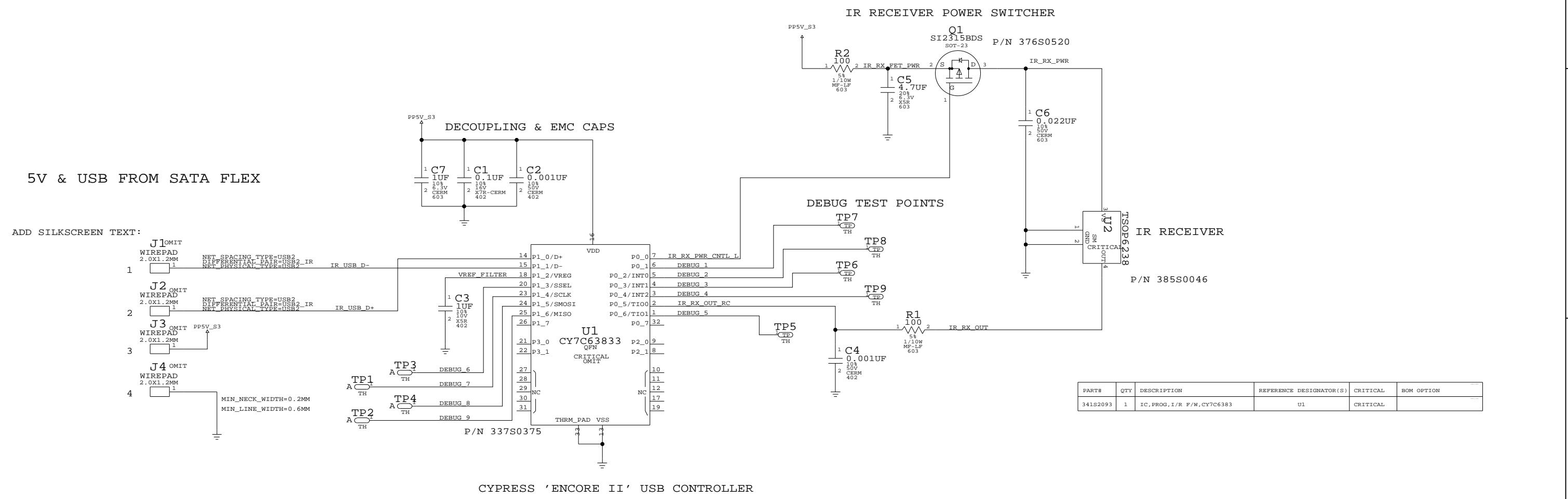


# SCHEM, IRB, MBP 15"

REV	ZONE	ECN	DESCRIPTION OF CHANGE	CK APPD	ENG APPD
?		?	?	DATE	DATE

1. ALL RESISTANCE VALUES ARE IN OHMS, 0.1 WATT +/- 5%.
2. ALL CAPACITANCE VALUES ARE IN MICROFARADS.
3. ALL CRYSTALS & OSCILLATOR VALUES ARE IN HERTZ.



## REVISION HISTORY

DATE	DESIGNER	DESCRIPTION
11/29/06	NMARTIN	PROTO VERSION - INTEGRATED FROM M1, M70, AND M58 IR DESIGNS
11/30/06	NMARTIN	PROTO VERSION - CHANGED LOCATION OF C5, ADDED CAPS FOR FILTERING, CHANGED POWER CONTROL TO P2-0
12/08/06	NMARTIN	PROTO VERSION - CHANGED POWER CONTROL TO P0-0, SHIFTED DEBUG PINS
	NMARTIN	EVT - ADDED CONNECTOR
2/28/07	NMARTIN	PRE-DVT: REMOVED CONNECTOR

PART#	QTY	DESCRIPTION	REFERENCE DESIGNATOR(S)	CRITICAL	BOM OPTION
051-7287	1	SCHEM, IRB, M75	SCH	CRITICAL	
820-2155	1	PCBF, IRB, M75	PCB	CRITICAL	
630-8082	1	PCBA, IRB, M75	BOM		OMIT
000-0041	1	PLACEHOLDER FOR EEE/CCC INFO	[EEE:XPQ]	CRITICAL	

DIMENSIONS ARE IN MILLIMETERS		METRIC		Apple Computer Inc.	
XX :	_____	DRAPTR	/	DESIGN CK	/
X.XX :	_____	ENG APPD	/	MFG APPD	/
X.XXX :	_____	QA APPD	/	DESIGNER	/
ANGLES :	_____	RELEASE	/	SCALE	NONE
DO NOT SCALE DRAWING		MATERIAL/FINISH NOTED AS APPLICABLE		SIZE D	
THIRD ANGLE PROJECTION		DRAWING NUMBER		REV. A	
		051-7287		SHT ? OF ?	



**NOTICE OF PROPRIETARY PROPERTY**

THE INFORMATION CONTAINED HEREIN IS THE PROPRIETARY PROPERTY OF APPLE COMPUTER, INC. THE POSSESSOR AGREES TO THE FOLLOWING

I TO MAINTAIN THE DOCUMENT IN CONFIDENCE  
 II NOT TO REPRODUCE OR COPY IT  
 III NOT TO REVEAL OR PUBLISH IN WHOLE OR PART

**SCHEM IR BOARD MBP 15**

DRAWING NUMBER: 051-7287 REV. A