

1. ALL RESISTANCE VALUES ARE IN OHMS, 0.1 WATT +/- 5%.
2. ALL CAPACITANCE VALUES ARE IN MICROFARADS.
3. ALL CRYSTALS & OSCILLATOR VALUES ARE IN HERTZ.

REV	ZONE	ECN	DESCRIPTION OF CHANGE	CK APPD DATE	ENG APPD DATE
		463860	PRODUCTION RELEASE	?	?

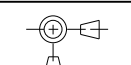
# SCHEM, LIO/AUDIO , MACBOOK PRO 17"

## 09/25/06

PDF PAGE	CSA PAGE	CONTENTS	SYNC MASTER	DATE
1	1	Table of Contents	N/A	N/A
2	2	Block Diagram	(MASTER)	(MASTER)
3	4	BOM CONFIGURATION	(MASTER)	(MASTER)
4	6	Aliases	(MASTER)	(MASTER)
5	51	Left USB Port	(MASTER)	(MASTER)
6	53	ExpressCard Connector	M59_LIO	09/19/2006
7	54	PCI-E MiniCard Connector	M59_LIO	09/19/2006
8	55	MLB I/O Board Connector	(MASTER)	(MASTER)
9	64	Left ALS	(MASTER)	(MASTER)
10	68	AUDIO: CODEC	LENGO_M57_AUDIO	09/19/2006
11	70	AUDIO: LINE IN	LENGO_M57_AUDIO	09/19/2006
12	71	AUDIO: HEADPHONE AMP	LENGO_M57_AUDIO	09/19/2006
13	72	AUDIO: SPEAKER AMP	LENGO_M57_AUDIO	09/19/2006
14	73	AUDIO: JACKS	LENGO_M57_AUDIO	09/19/2006
15	74	AUDIO: JACK TRANSLATORS	LENGO_M57_AUDIO	09/19/2006
16	76	5V/3.3V SUPPLY	<MASTER>	<MASTER>
17	82	DC-In & Battery Connectors	(MASTER)	(MASTER)
18	84	LEFT I/O POWER CONNECTOR	(MASTER)	(MASTER)
19	100	HISTORY: NON-AUDIO	(MASTER)	(MASTER)
20	101		LENGO_M57_AUDIO	09/19/2006
21	102	Cross Reference Page		
22	103	Cross Reference Page		

# ALIASES RESOLVED

PART#	QTY	DESCRIPTION	REFERENCE DESIGNATOR(S)	BOM OPTION
051-7165	1	SCHEM, LIO/AUDIO, MACBOOK PRO 17	SCH1	
820-2060	1	PCBF, LIO/AUDIO, MACBOOK PRO 17	PCB1	

DIMENSIONS ARE IN MILLIMETERS		METRIC		Apple Computer Inc.	
XX :	_____	DRAPTER	/	DESIGN CK	/
X.XX :	_____	ENG APPD	/	MFG APPD	/
X.XXX :	_____	QA APPD	/	DESIGNER	/
ANGLES :	_____	RELEASE	/	SCALE	NONE
DO NOT SCALE DRAWING		MATERIAL/FINISH NOTED AS APPLICABLE		SIZE	D
 THIRD ANGLE PROJECTION		DRAWING NUMBER		051-7165	REV. A
SHT 1 OF 22					

D

D

C

C

B

B

A

A

8

7

6

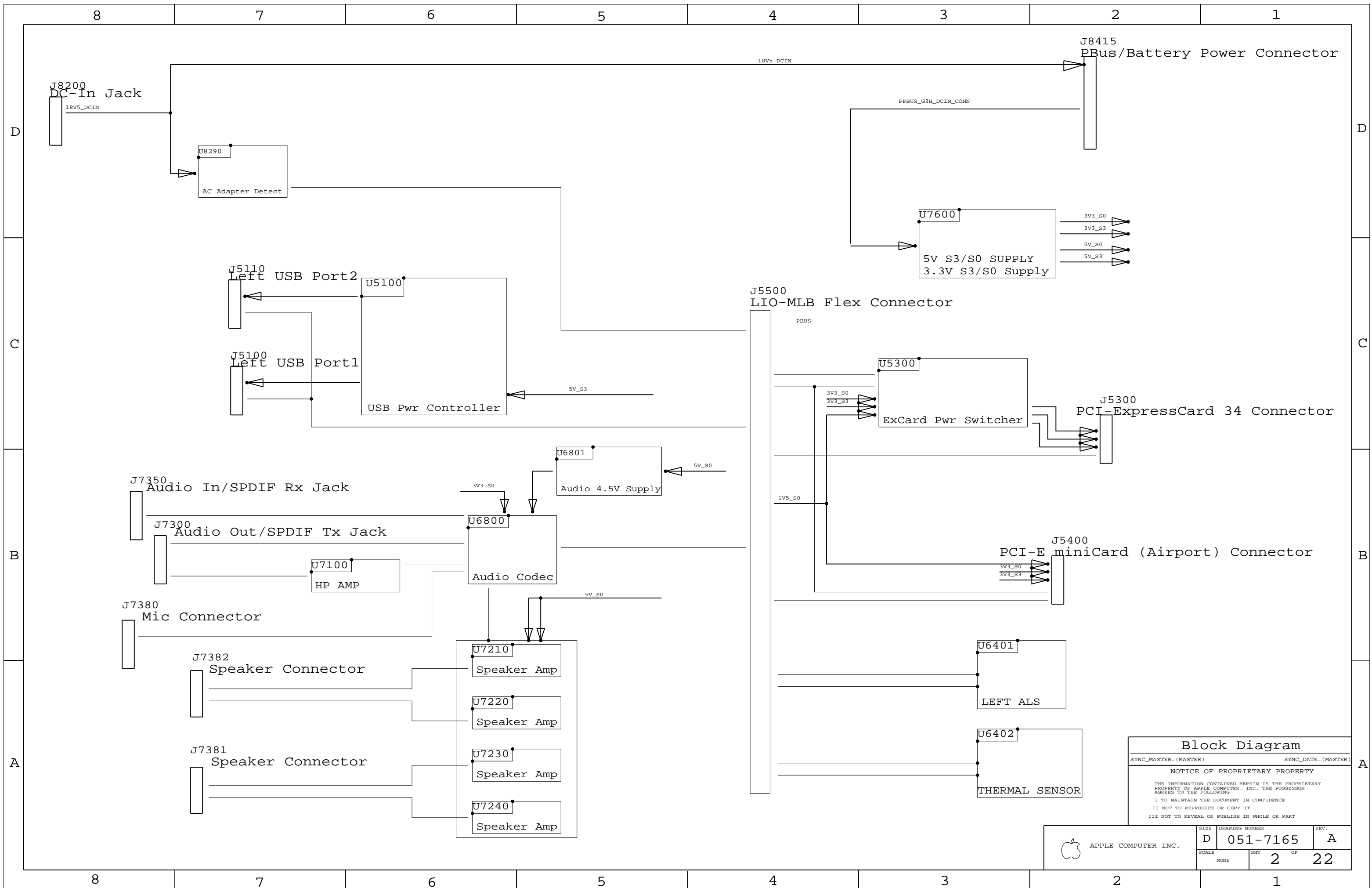
5

4

3

2

1



**Block Diagram**

SYNC\_MASTER=(MASTER)      SYNC\_DATE=(MASTER)

**NOTICE OF PROPRIETARY PROPERTY**

THE INFORMATION CONTAINED HEREIN IS THE PROPRIETARY PROPERTY OF APPLE COMPUTER, INC. THE POSSESSOR AGREES TO THE FOLLOWING

I TO MAINTAIN THE DOCUMENT IN CONFIDENCE

II NOT TO REPRODUCE OR COPY IT

III NOT TO REVEAL OR PUBLISH IN WHOLE OR PART

APPLE COMPUTER INC.	SIZE	DRAWING NUMBER	REV.
	D	051-7165	A
SCALE	SHT		OF
NONE	2		22

8

7

6

5

4

3

2

1

BOM NUMBER	BOM NAME	BOM OPTIONS
630-7707	PCBA,LIO/AUDIO,MACBOOK PRO 17	COMMON,ALTERNATE

D

D

BAR CODE LABEL / EEE#'S

PART NUMBER	QTY	DESCRIPTION	REFERENCE DES	CRITICAL	BOM OPTION
000-0041	1	PLACEHOLDER FOR EEE/CCC INFO	[EEE:W3B]	CRITICAL	

PART#	QTY	DESCRIPTION	REFERENCE DESIGNATOR(S)	CRITICAL	BOM OPTION
815-8851	1	ALS SPACER, M9	SP6401	CRITICAL	

C

C


B

B

A

A

BOM CONFIGURATION	
SYNC_MASTER=(MASTER)	SYNC_DATE=(MASTER)
NOTICE OF PROPRIETARY PROPERTY	
THE INFORMATION CONTAINED HEREIN IS THE PROPRIETARY PROPERTY OF APPLE COMPUTER, INC. THE POSSESSOR AGREES TO THE FOLLOWING	
I TO MAINTAIN THE DOCUMENT IN CONFIDENCE	
II NOT TO REPRODUCE OR COPY IT	
III NOT TO REVEAL OR PUBLISH IN WHOLE OR PART	

 APPLE COMPUTER INC.	SIZE	DRAWING NUMBER	REV.
	D	051-7165	A
SCALE	SHT	OF	
NONE	3	22	

8

7

6

5

4

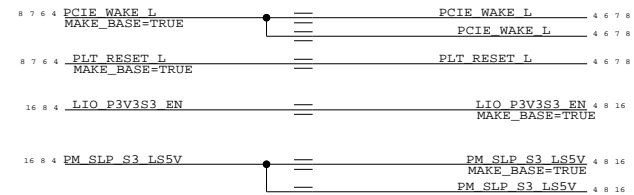
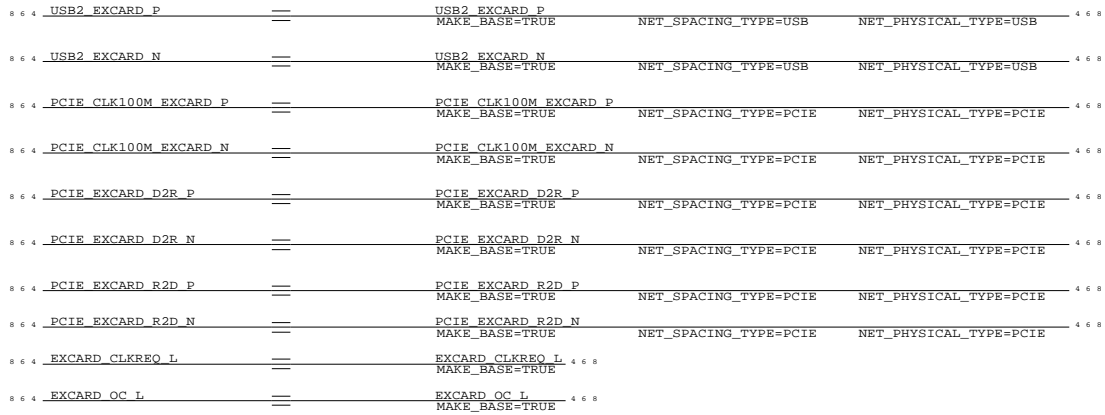
3

2

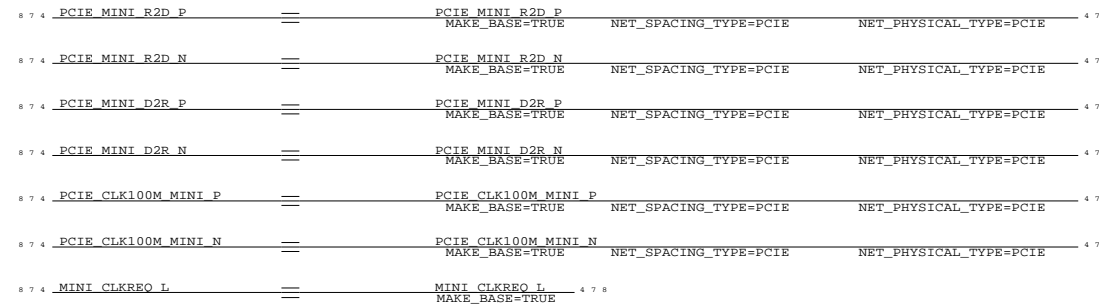
1

POWER & GROUNDS

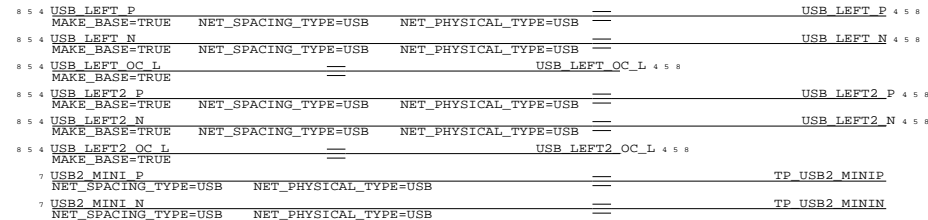
PCI-E EXPRESS CARD 34



PCI-E MINICARD



USB



SMBUS



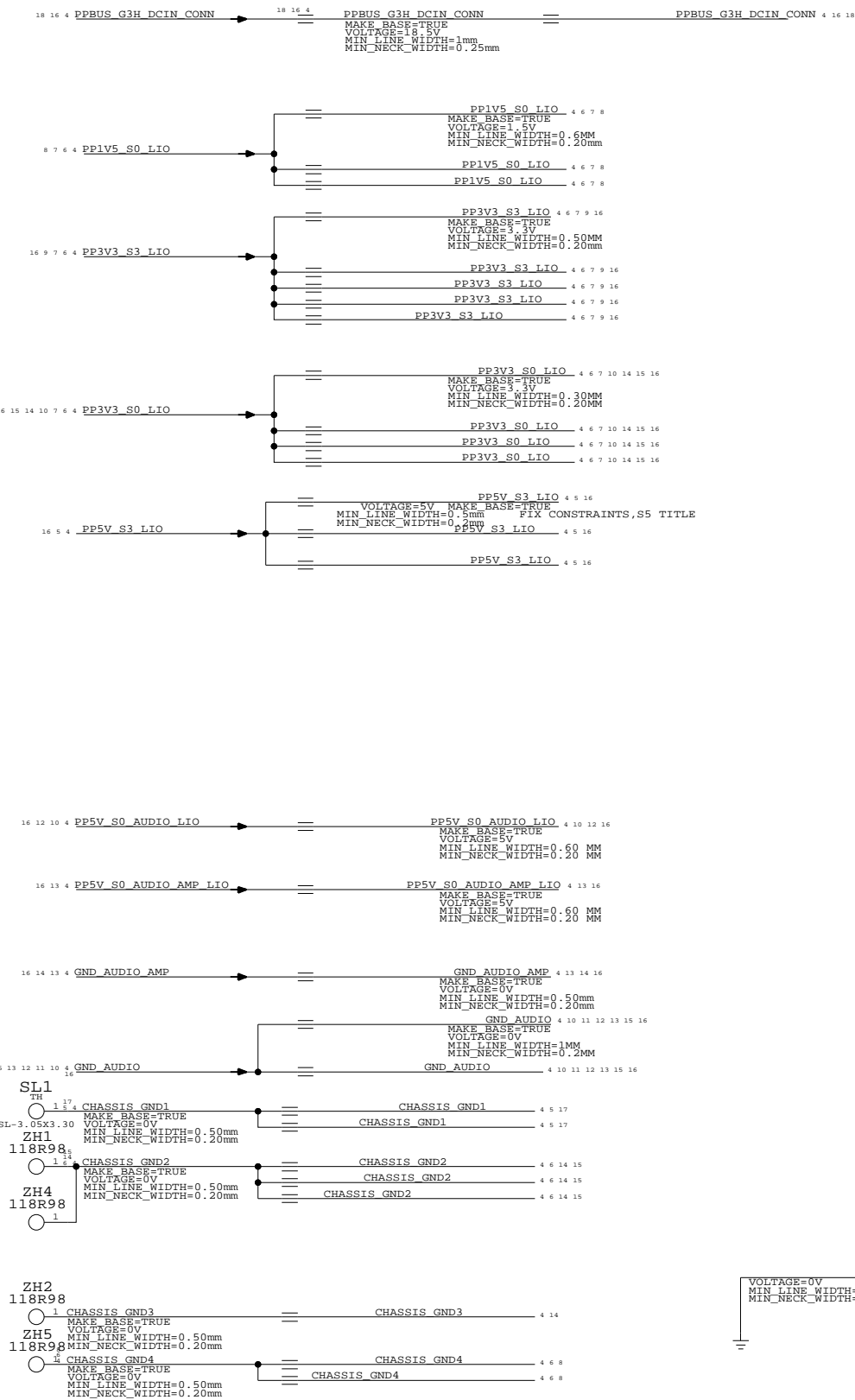
**Aliases**

SYNC\_MASTER=(MASTER)      SYNC\_DATE=(MASTER)

**NOTICE OF PROPRIETARY PROPERTY**

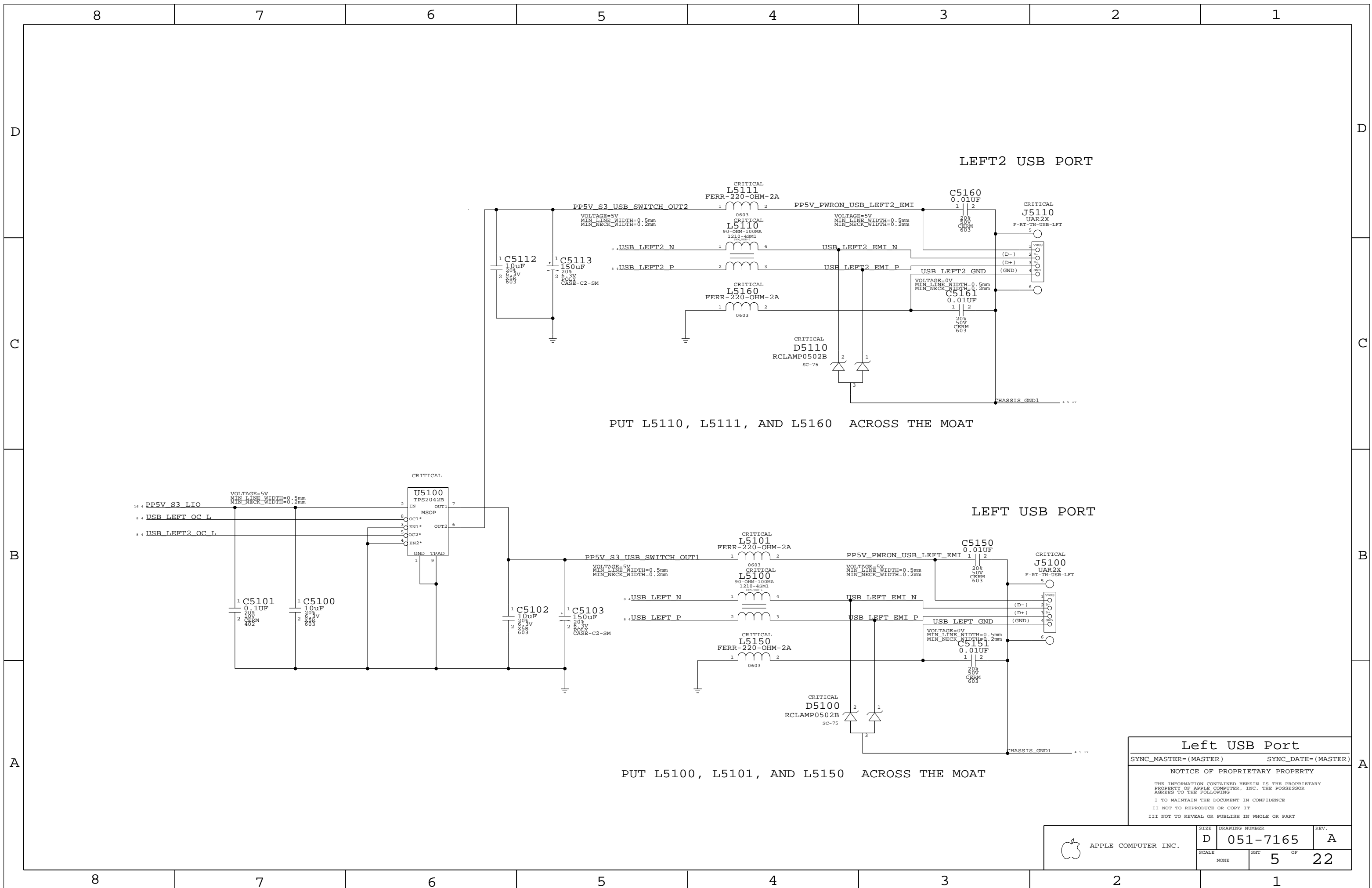
THE INFORMATION CONTAINED HEREIN IS THE PROPRIETARY PROPERTY OF APPLE COMPUTER, INC. THE POSSESSOR AGREES TO THE FOLLOWING

I TO MAINTAIN THE DOCUMENT IN CONFIDENCE  
 II NOT TO REPRODUCE OR COPY IT  
 III NOT TO REVEAL OR PUBLISH IN WHOLE OR PART



APPLE COMPUTER INC.

SIZE	DRAWING NUMBER	REV.
D	051-7165	A
SCALE	SHT	OF
NONE	4	22



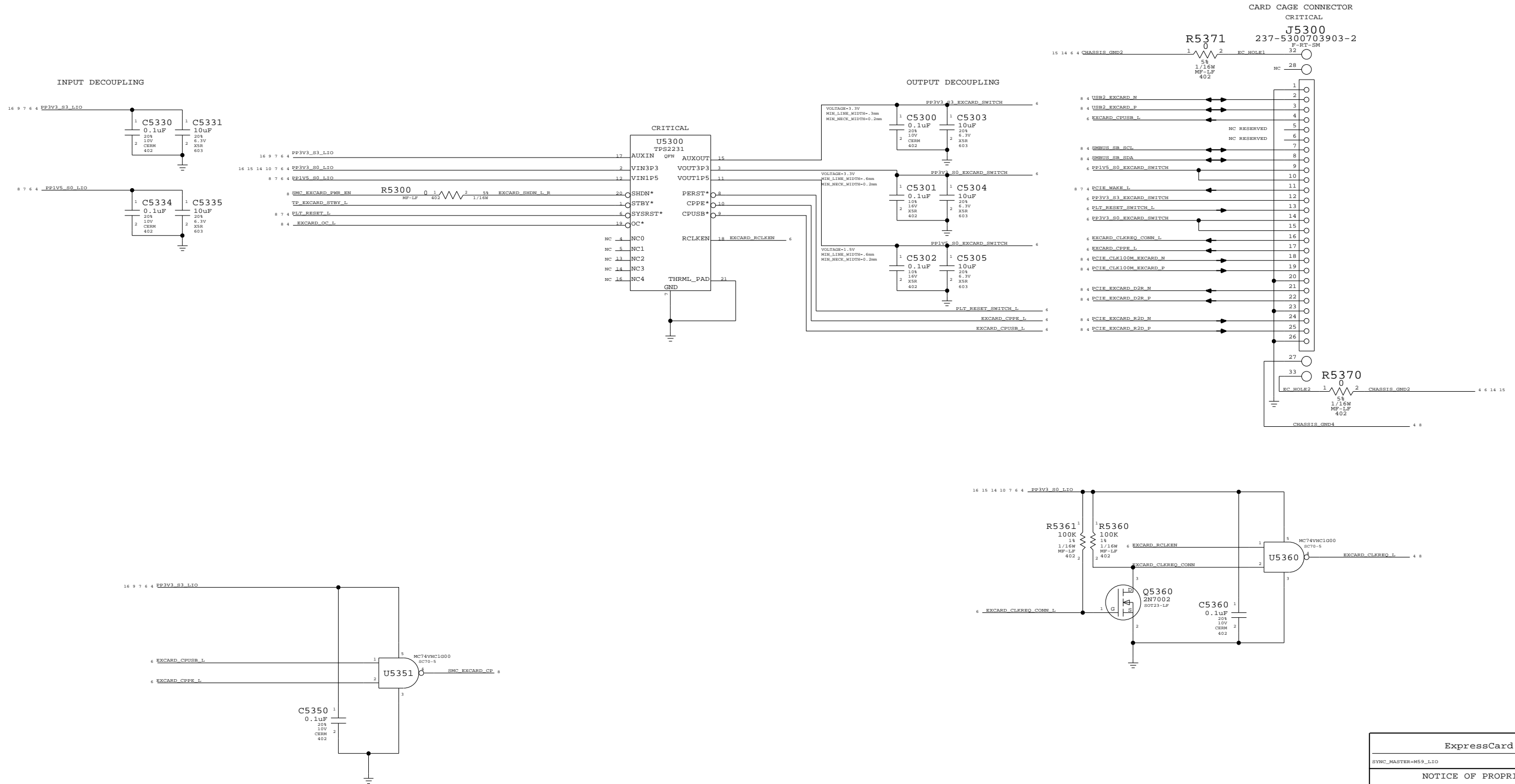
PUT L5110, L5111, AND L5160 ACROSS THE MOAT

PUT L5100, L5101, AND L5150 ACROSS THE MOAT

**Left USB Port**  
 SYNC\_MASTER=(MASTER) SYNC\_DATE=(MASTER)  
 NOTICE OF PROPRIETARY PROPERTY  
 THE INFORMATION CONTAINED HEREIN IS THE PROPRIETARY PROPERTY OF APPLE COMPUTER, INC. THE POSSESSOR AGREES TO THE FOLLOWING  
 I TO MAINTAIN THE DOCUMENT IN CONFIDENCE  
 II NOT TO REPRODUCE OR COPY IT  
 III NOT TO REVEAL OR PUBLISH IN WHOLE OR PART

APPLE COMPUTER INC.	SIZE	DRAWING NUMBER	REV.
	D	051-7165	A
SCALE		SHT	OF
NONE		5	22

# EXPRESSCARD/34 TOP MOUNT CONNECTOR



**ExpressCard Connector**

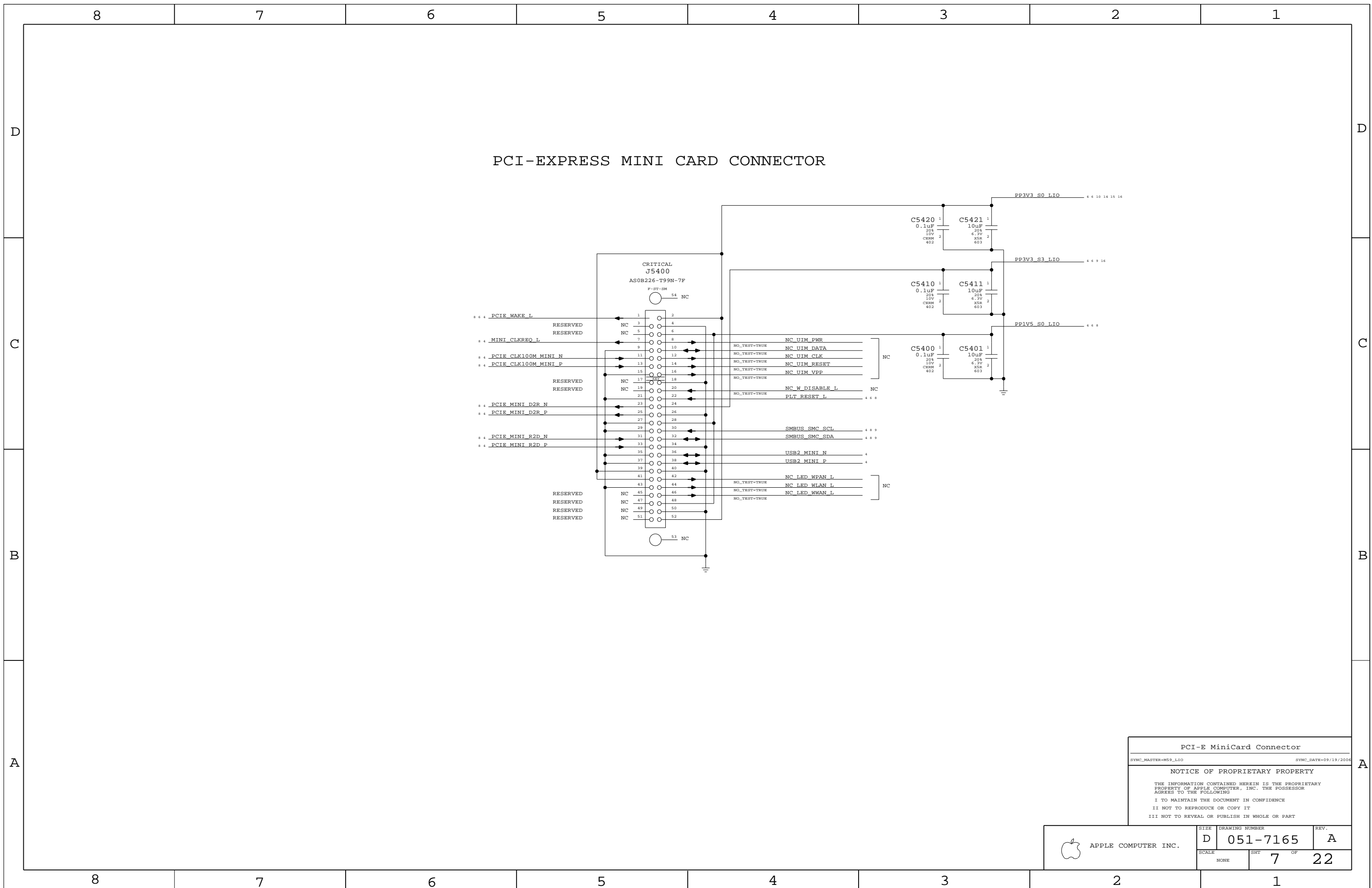
SYNC\_MASTER=M59\_L1O      SYNC\_DATE=09/19/2006

**NOTICE OF PROPRIETARY PROPERTY**

THE INFORMATION CONTAINED HEREIN IS THE PROPRIETARY PROPERTY OF APPLE COMPUTER, INC. THE POSSESSOR AGREES TO THE FOLLOWING

I TO MAINTAIN THE DOCUMENT IN CONFIDENCE  
 II NOT TO REPRODUCE OR COPY IT  
 III NOT TO REVEAL OR PUBLISH IN WHOLE OR PART

APPLE COMPUTER INC.	SIZE <b>D</b>	DRAWING NUMBER <b>051-7165</b>	REV. <b>A</b>
	SCALE NONE	SHT <b>6</b>	OF <b>22</b>

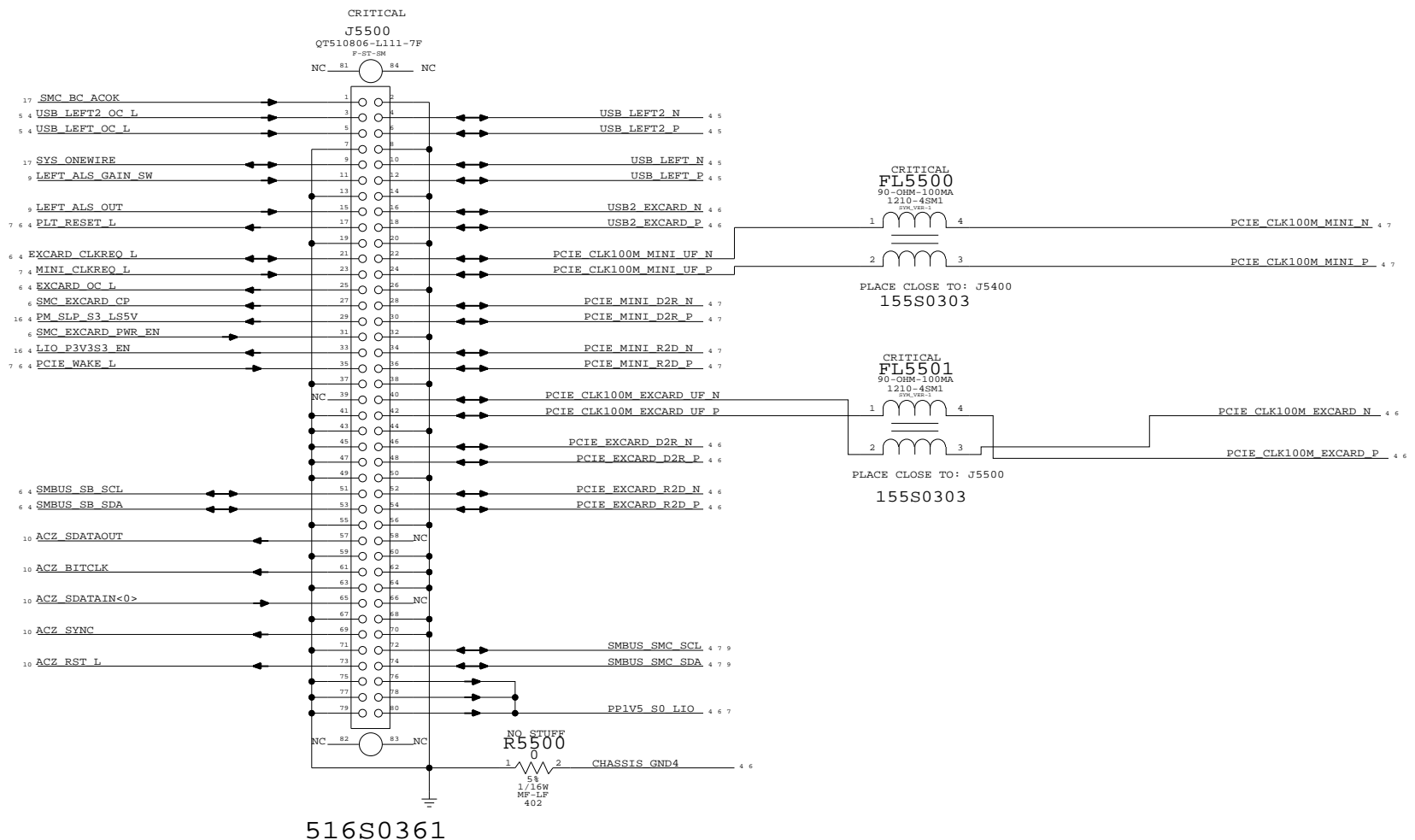


PCI-EXPRESS MINI CARD CONNECTOR

PCI-E MiniCard Connector  
 SYNC\_MASTER=M59\_L10 SYNC\_DATE=09/19/2006  
 NOTICE OF PROPRIETARY PROPERTY  
 THE INFORMATION CONTAINED HEREIN IS THE PROPRIETARY PROPERTY OF APPLE COMPUTER, INC. THE POSSESSOR AGREES TO THE FOLLOWING  
 I TO MAINTAIN THE DOCUMENT IN CONFIDENCE  
 II NOT TO REPRODUCE OR COPY IT  
 III NOT TO REVEAL OR PUBLISH IN WHOLE OR PART

APPLE COMPUTER INC.	SIZE	DRAWING NUMBER	REV.
	D	051-7165	A
SCALE	SHT 7 OF 22		
NONE			

# Left I/O Board Connector



## MLB I/O Board Connector

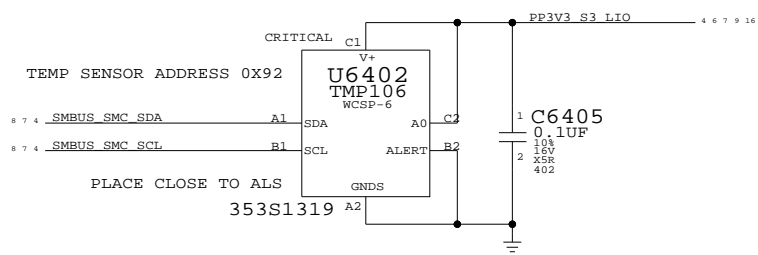
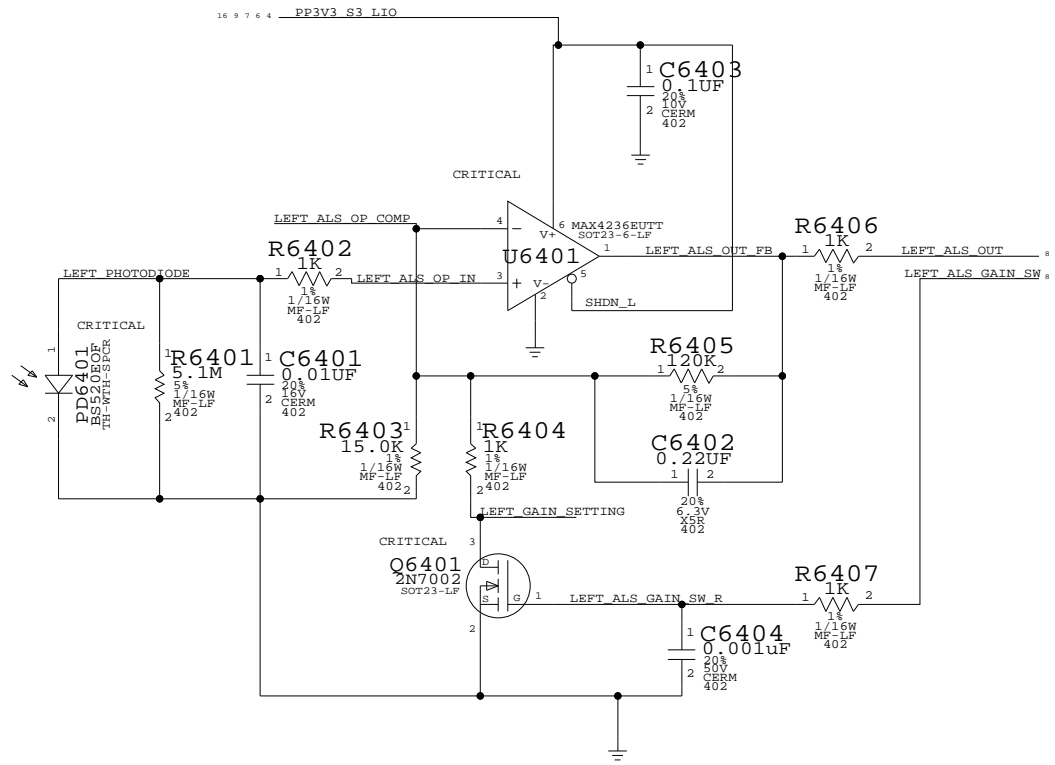
SYNC\_MASTER=(MASTER) SYNC\_DATE=(MASTER)

### NOTICE OF PROPRIETARY PROPERTY

THE INFORMATION CONTAINED HEREIN IS THE PROPRIETARY PROPERTY OF APPLE COMPUTER, INC. THE POSSESSOR AGREES TO THE FOLLOWING  
 I TO MAINTAIN THE DOCUMENT IN CONFIDENCE  
 II NOT TO REPRODUCE OR COPY IT  
 III NOT TO REVEAL OR PUBLISH IN WHOLE OR PART

APPLE COMPUTER INC.	SIZE	DRAWING NUMBER	REV.
	D	051-7165	A
SCALE	NONE	SHT	8 OF 22






### Left ALS

SYNC\_MASTER=(MASTER) SYNC\_DATE=(MASTER)

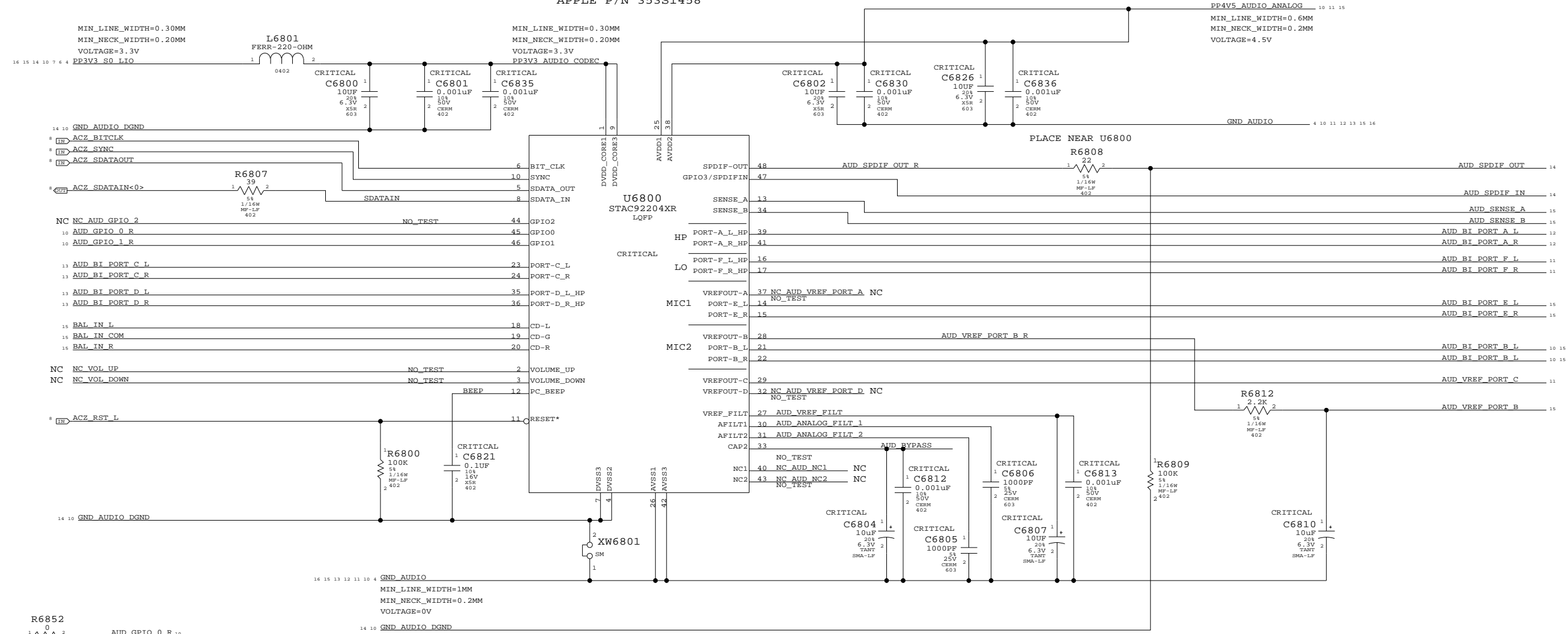
#### NOTICE OF PROPRIETARY PROPERTY

THE INFORMATION CONTAINED HEREIN IS THE PROPRIETARY PROPERTY OF APPLE COMPUTER, INC. THE POSSESSOR AGREES TO THE FOLLOWING

- I TO MAINTAIN THE DOCUMENT IN CONFIDENCE
- II NOT TO REPRODUCE OR COPY IT
- III NOT TO REVEAL OR PUBLISH IN WHOLE OR PART

 APPLE COMPUTER INC.	SIZE	DRAWING NUMBER	REV.
	D	051-7165	A
SCALE	SHT 9 OF 22		
NONE			

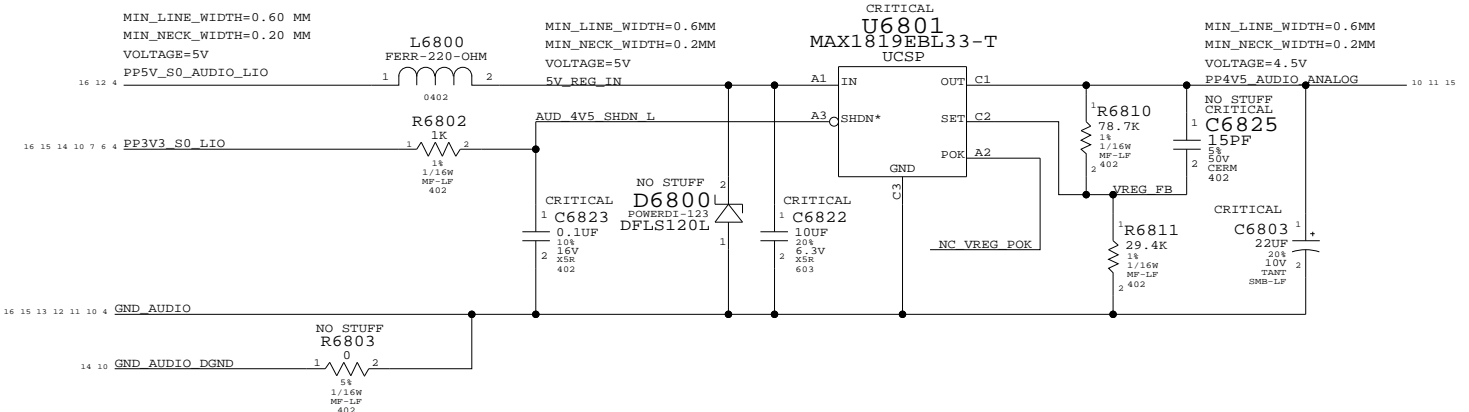
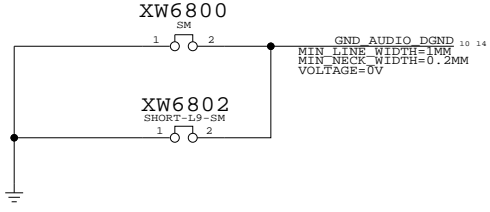
**AUDIO CODEC**  
APPLE P/N 353S1458



PART NUMBER	ALTERNATE FOR PART NUMBER	BOM OPTION	REF DES	COMMENTS:
353S1345	353S1458		U6800	DC OFFSET SCREENED

**4.5V POWER SUPPLY FOR CODEC**  
APN: 353S1455

**AUDIO DIGITAL GROUND ISOLATION**



**AUDIO: CODEC**  
SYNC\_MASTER=LENGO\_M57\_AUDIO SYNC\_DATE=09/19/2006

**NOTICE OF PROPRIETARY PROPERTY**  
THE INFORMATION CONTAINED HEREIN IS THE PROPRIETARY PROPERTY OF APPLE COMPUTER, INC. THE POSSESSOR AGREES TO THE FOLLOWING:  
I TO MAINTAIN THE DOCUMENT IN CONFIDENCE  
II NOT TO REPRODUCE OR COPY IT  
III NOT TO REVEAL OR PUBLISH IN WHOLE OR PART

APPLE COMPUTER INC.	SIZE	DRAWING NUMBER	REV.
	D	051-7165	A
SCALE	SHT	OF	
NONE	10	22	

8

7

6

5

4

3

2

1

D

D

C

C

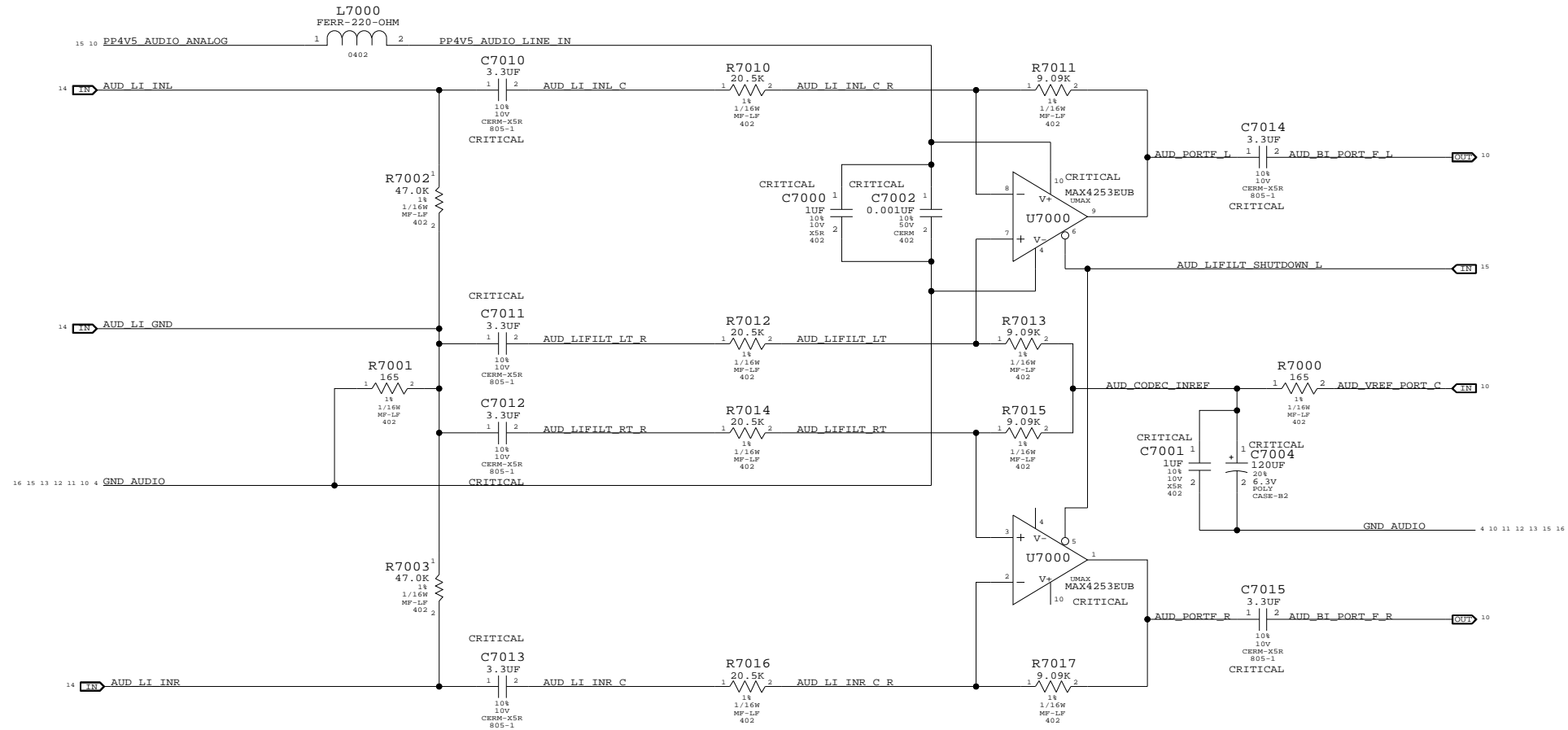
B

B

A

A

Pseudo-Diff Line-In Filter  
 GAIN = -7.1DB AV = 0.44  
 FC = 2.4 HZ



**AUDIO: LINE IN**  
 SYNC\_MASTER=LENGO\_M57\_AUDIO SYNC\_DATE=09/19/2006  
 NOTICE OF PROPRIETARY PROPERTY  
 THE INFORMATION CONTAINED HEREIN IS THE PROPRIETARY PROPERTY OF APPLE COMPUTER, INC. THE POSSESSOR AGREES TO THE FOLLOWING  
 I TO MAINTAIN THE DOCUMENT IN CONFIDENCE  
 II NOT TO REPRODUCE OR COPY IT  
 III NOT TO REVEAL OR PUBLISH IN WHOLE OR PART

APPLE COMPUTER INC.	SIZE	DRAWING NUMBER	REV.
	D	051-7165	A
SCALE	SHT		OF
NONE	11		22

8

7

6

5

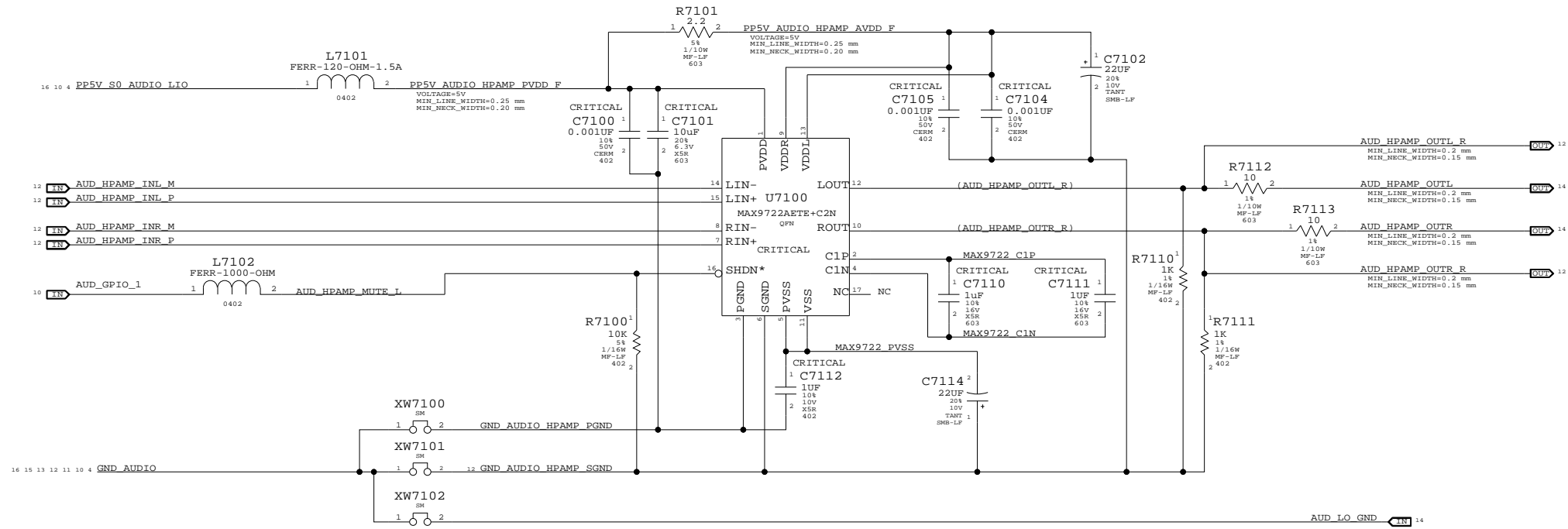
4

3

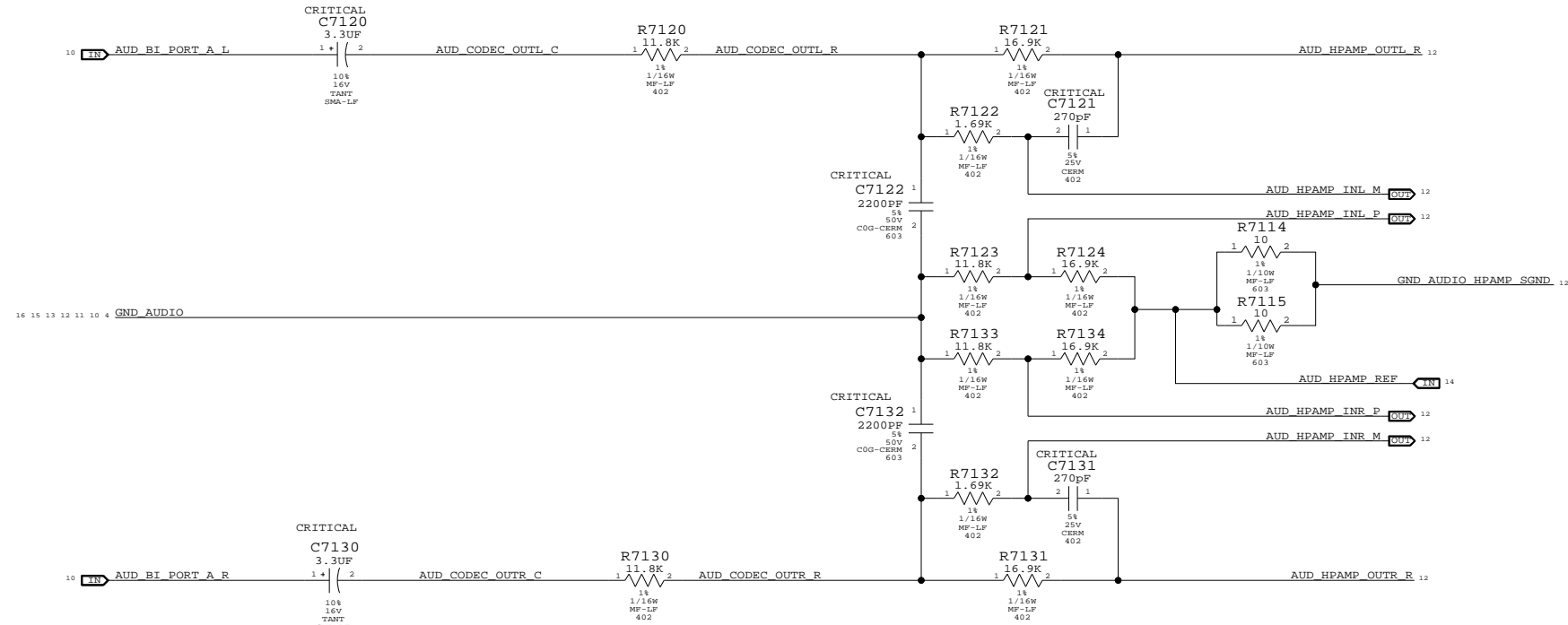
2

1

Headphone Amplifier (MAX9722)  
 APN:353S1536  
 VOLTAGE GAIN:1.43



2nd Order DAC Filter  
 HP:4.09 HZ LP:39 KHZ



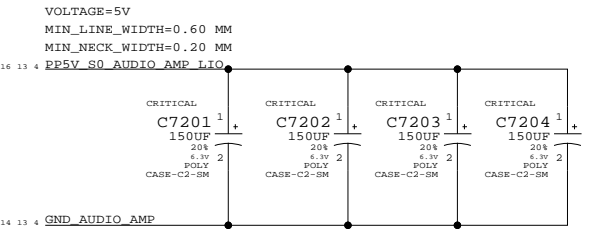
**AUDIO: HEADPHONE AMP**  
 SYNC\_MASTER=LENGO\_M57\_AUDIO SYNC\_DATE=09/19/2006  
 NOTICE OF PROPRIETARY PROPERTY  
 THE INFORMATION CONTAINED HEREIN IS THE PROPRIETARY PROPERTY OF APPLE COMPUTER, INC. THE POSSESSOR AGREES TO THE FOLLOWING  
 I TO MAINTAIN THE DOCUMENT IN CONFIDENCE  
 II NOT TO REPRODUCE OR COPY IT  
 III NOT TO REVEAL OR PUBLISH IN WHOLE OR PART

APPLE COMPUTER INC.	SIZE	DRAWING NUMBER	REV.
	D	051-7165	A
SCALE	SHT		OF
NONE	12		22

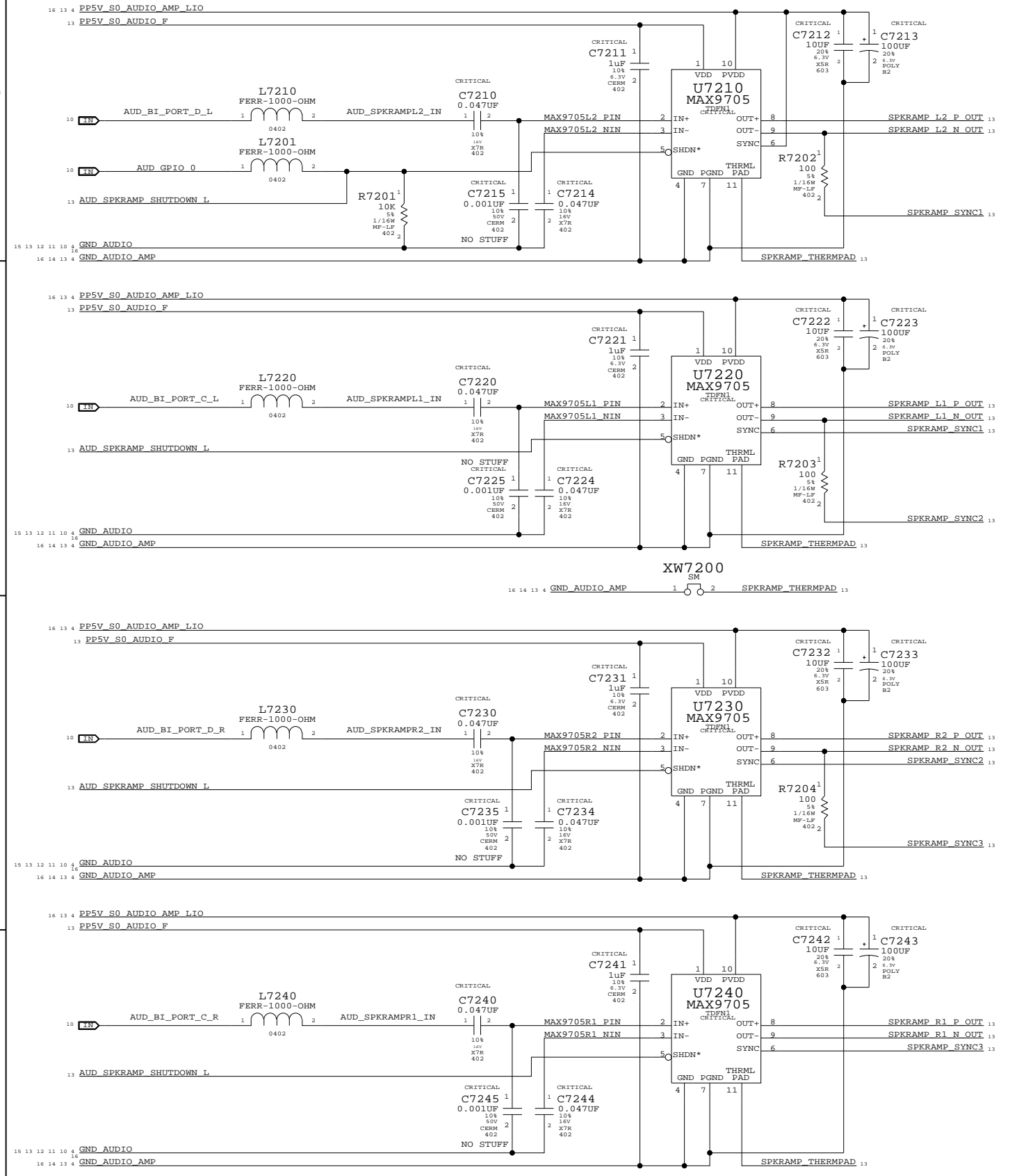
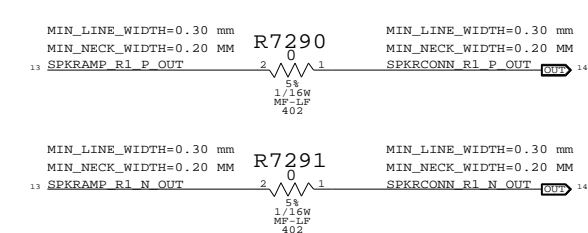
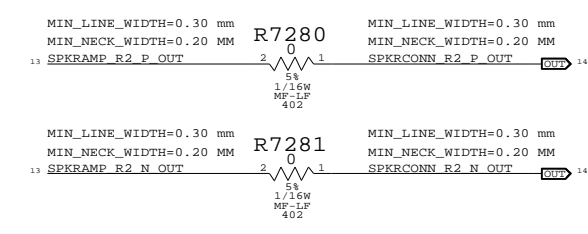
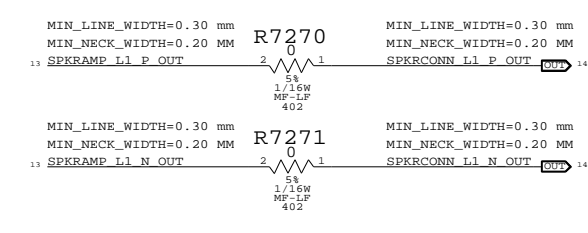
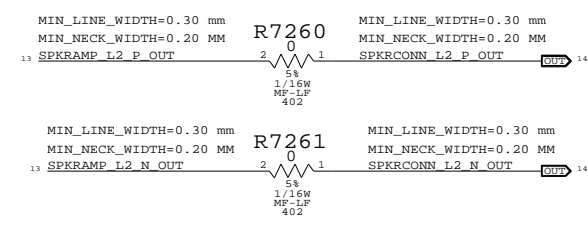
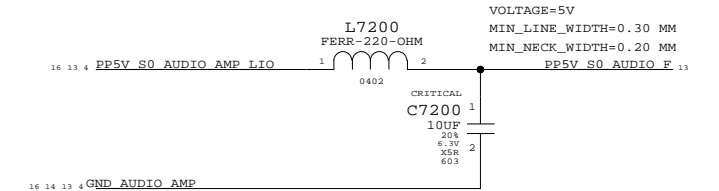
SPEAKER AMPLIFIERS (MAX9705) APN: 353S1595 TURN ON TIME: 30MS  
 GAIN = 12DB 170 < FC < 281HZ TURN ON DELAY: 60MS

FANCY TESTPOINTS FOR SPEAKER OUTPUTS

POWER AMPLIFIER SUPPLY BULK CAPS



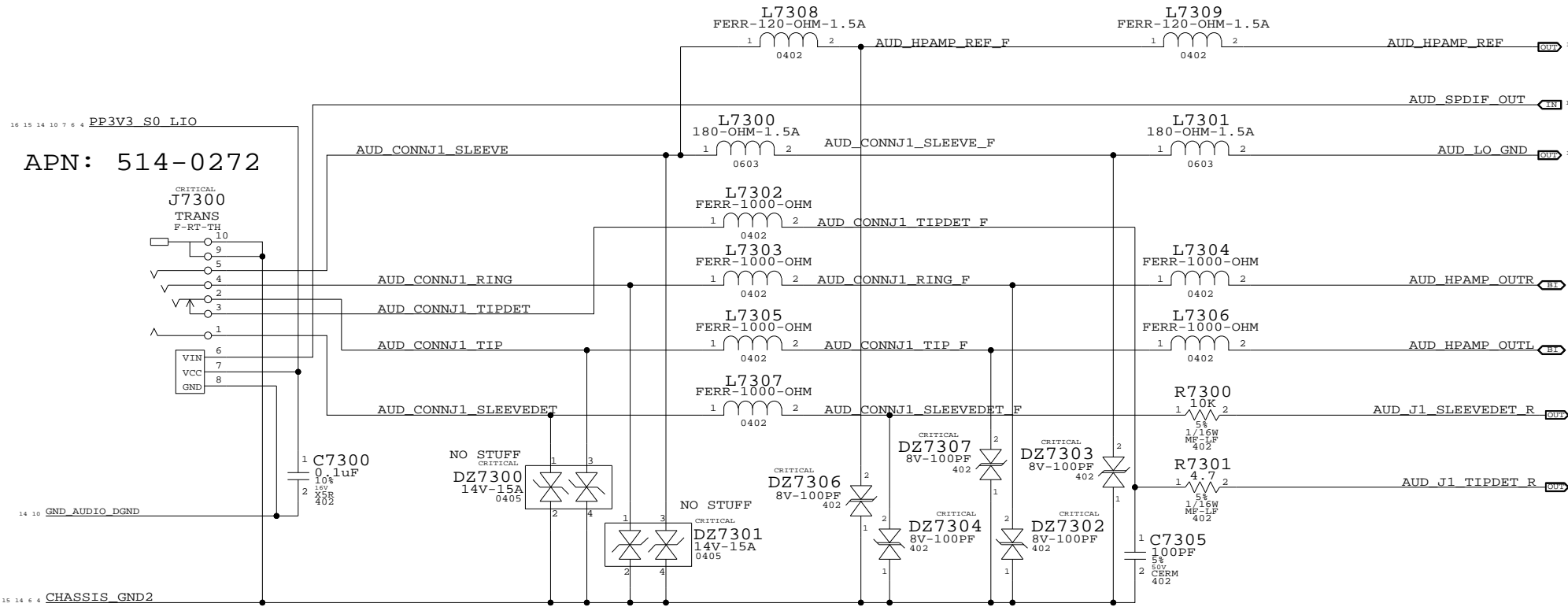
ANALOG POWER RAIL



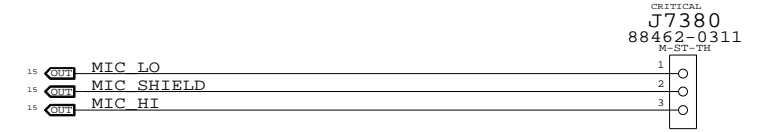
**AUDIO: SPEAKER AMP**  
 SYNC\_MASTER=LENGO\_M57\_AUDIO SYNC\_DATE=09/19/2006  
 NOTICE OF PROPRIETARY PROPERTY  
 THE INFORMATION CONTAINED HEREIN IS THE PROPRIETARY PROPERTY OF APPLE COMPUTER, INC. THE POSSESSOR AGREES TO THE FOLLOWING  
 I TO MAINTAIN THE DOCUMENT IN CONFIDENCE  
 II NOT TO REPRODUCE OR COPY IT  
 III NOT TO REVEAL OR PUBLISH IN WHOLE OR PART

APPLE COMPUTER INC.	SIZE	DRAWING NUMBER	REV.
	D	051-7165	A
SCALE	SHT	13 OF	22
NONE			

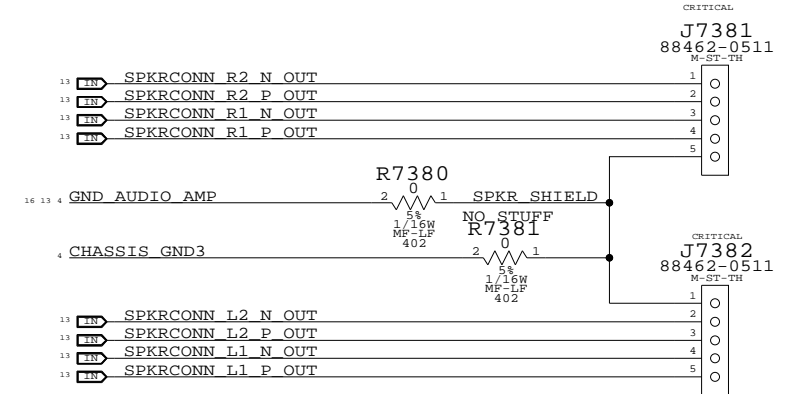
AUDIO JACK 1 LO/HP CONNECTOR, SPDIF TX



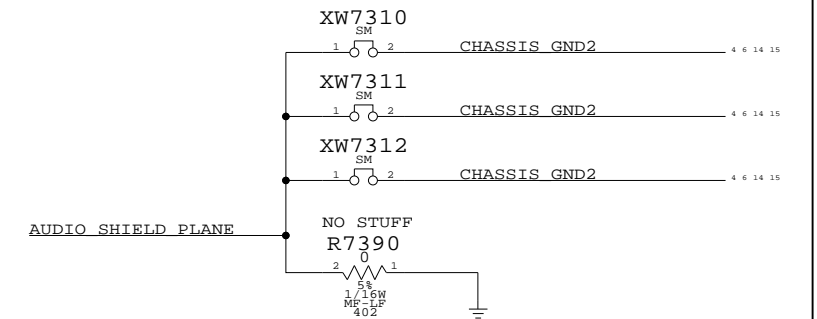
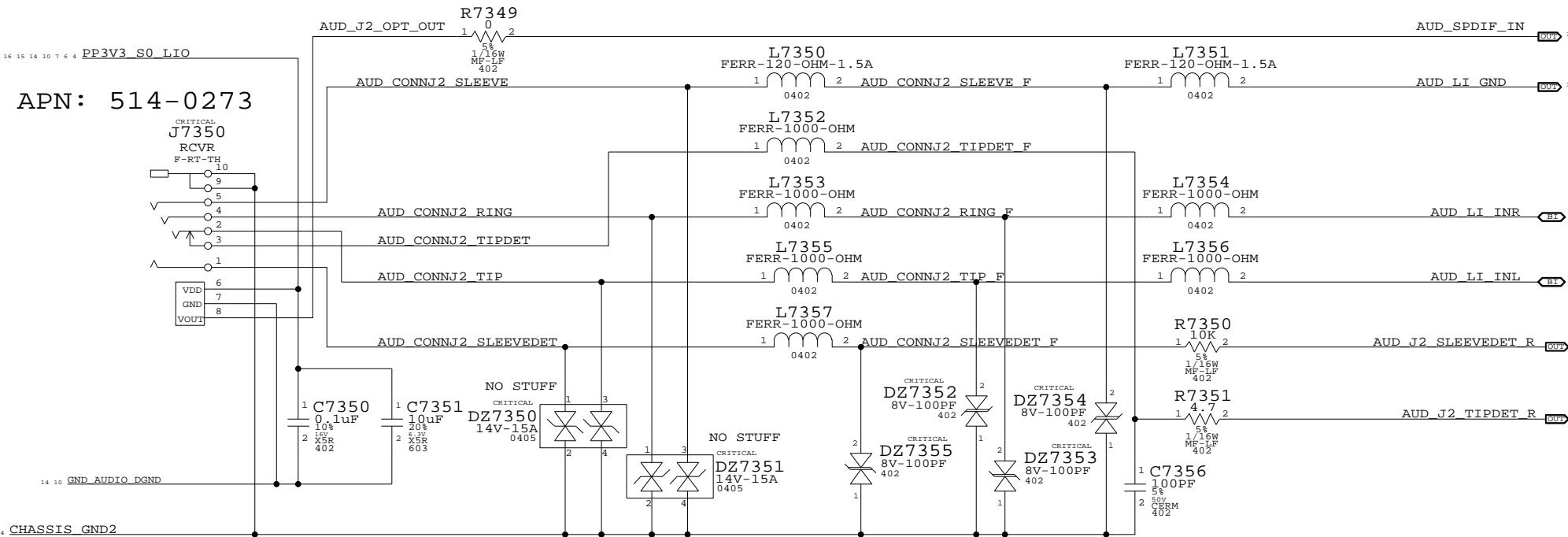
MIC CONNECTOR  
APN: 518-0230



SPEAKER CONNECTORS  
APN: 518-0229



AUDIO JACK 2 LINE IN CONNECTOR, SPDIF RX



AUDIO SHIELD  
(FILLED SHAPE)

AUDIO: JACKS

SYNC\_MASTER=LENGO\_M57\_AUDIO SYNC\_DATE=09/19/2006

NOTICE OF PROPRIETARY PROPERTY

THE INFORMATION CONTAINED HEREIN IS THE PROPRIETARY PROPERTY OF APPLE COMPUTER, INC. THE POSSESSOR AGREES TO THE FOLLOWING  
I TO MAINTAIN THE DOCUMENT IN CONFIDENCE  
II NOT TO REPRODUCE OR COPY IT  
III NOT TO REVEAL OR PUBLISH IN WHOLE OR PART

APPLE COMPUTER INC.	SIZE	DRAWING NUMBER	REV.
	D	051-7165	A
SCALE	SHT		OF
NONE	14		22

D

C

B

A

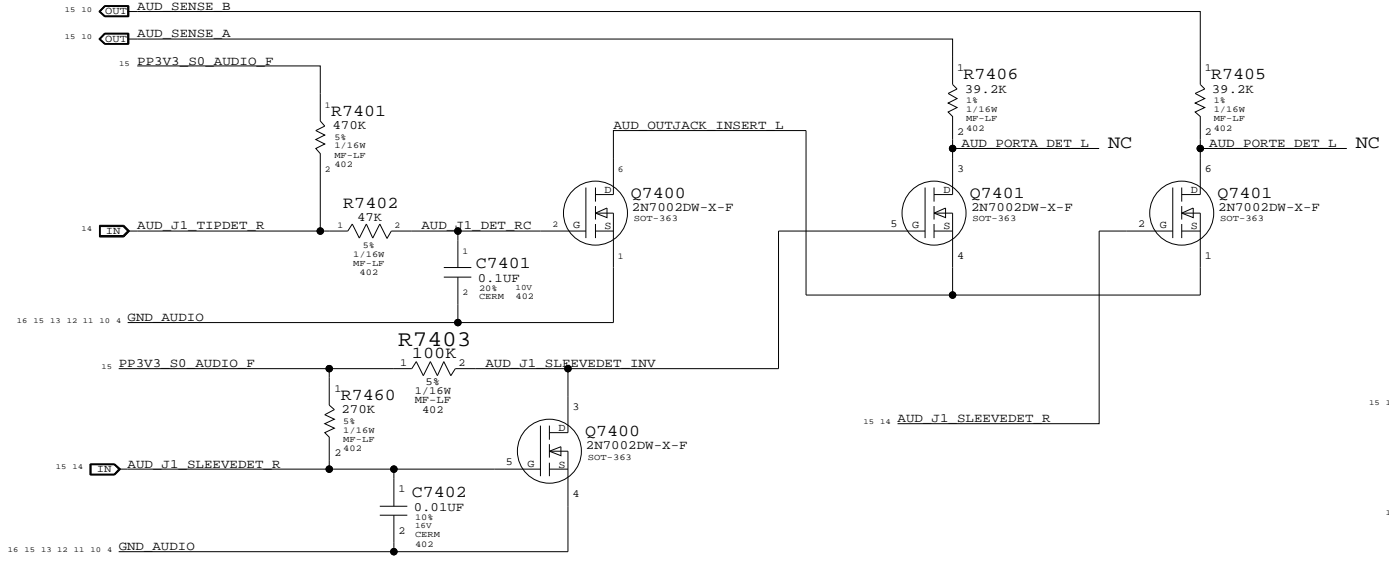
D

C

B

A

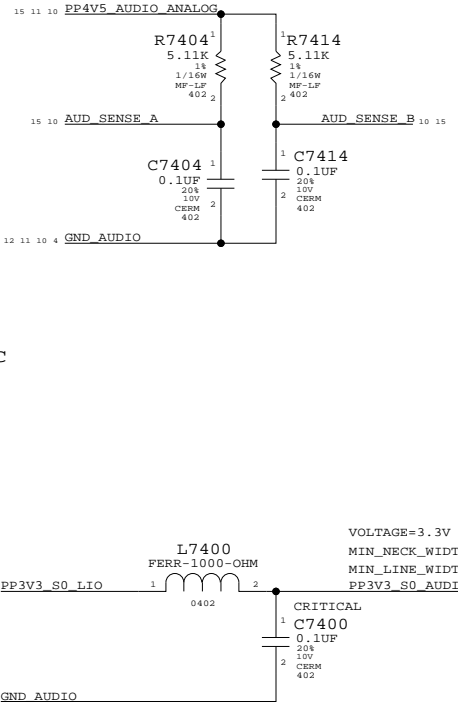
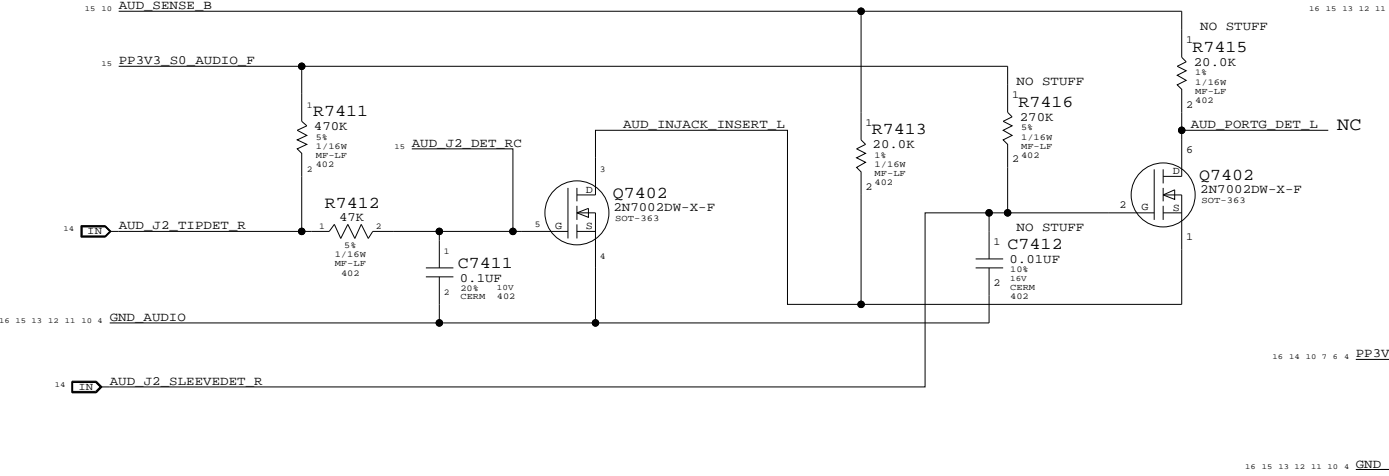
PORT A DETECT PORT E DETECT(E TELLS H TO TURN ON)



CODEC PORT ASSIGNMENTS

- PORT A : HEADPHONE/LINE OUT
- PORT B : MICROPHONE ON BOTH CH (ADC 0)
- PORT C : TRANSDUCER 1 ON LEFT/RIGHT SPEAKER
- PORT D : TRANSDUCER 2 ON LEFT/RIGHT SPEAKER
- PORT E : SW USES TO TRIGGER DIGITAL OUT
- PORT F : LINE IN (ADC 1)
- CD INPUT : UNUSED

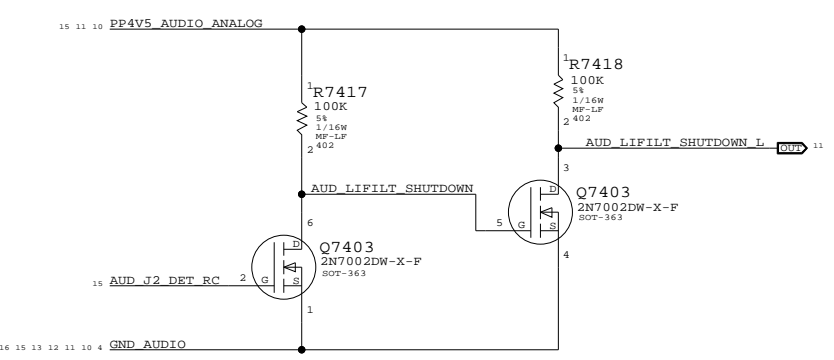
PORT F DETECT PORT G DETECT



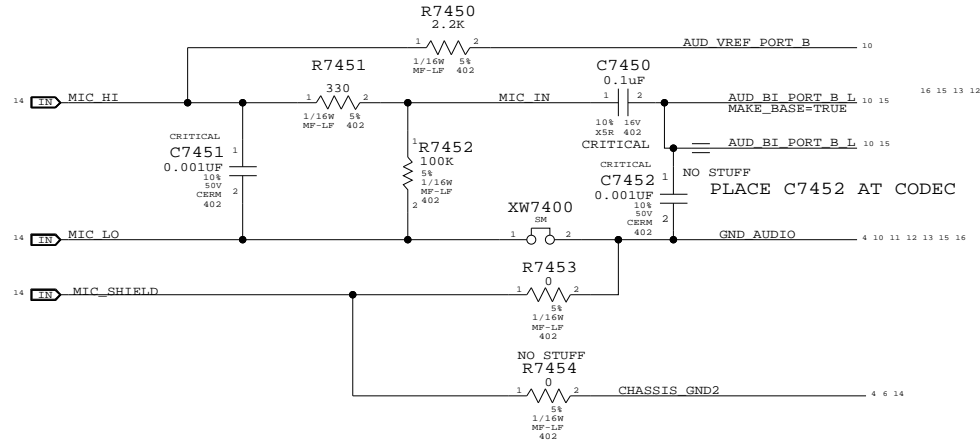
UNUSED CODEC ANALOG PORT TERMINATIONS



LINE IN FILTER SHUTDOWN CONTROL

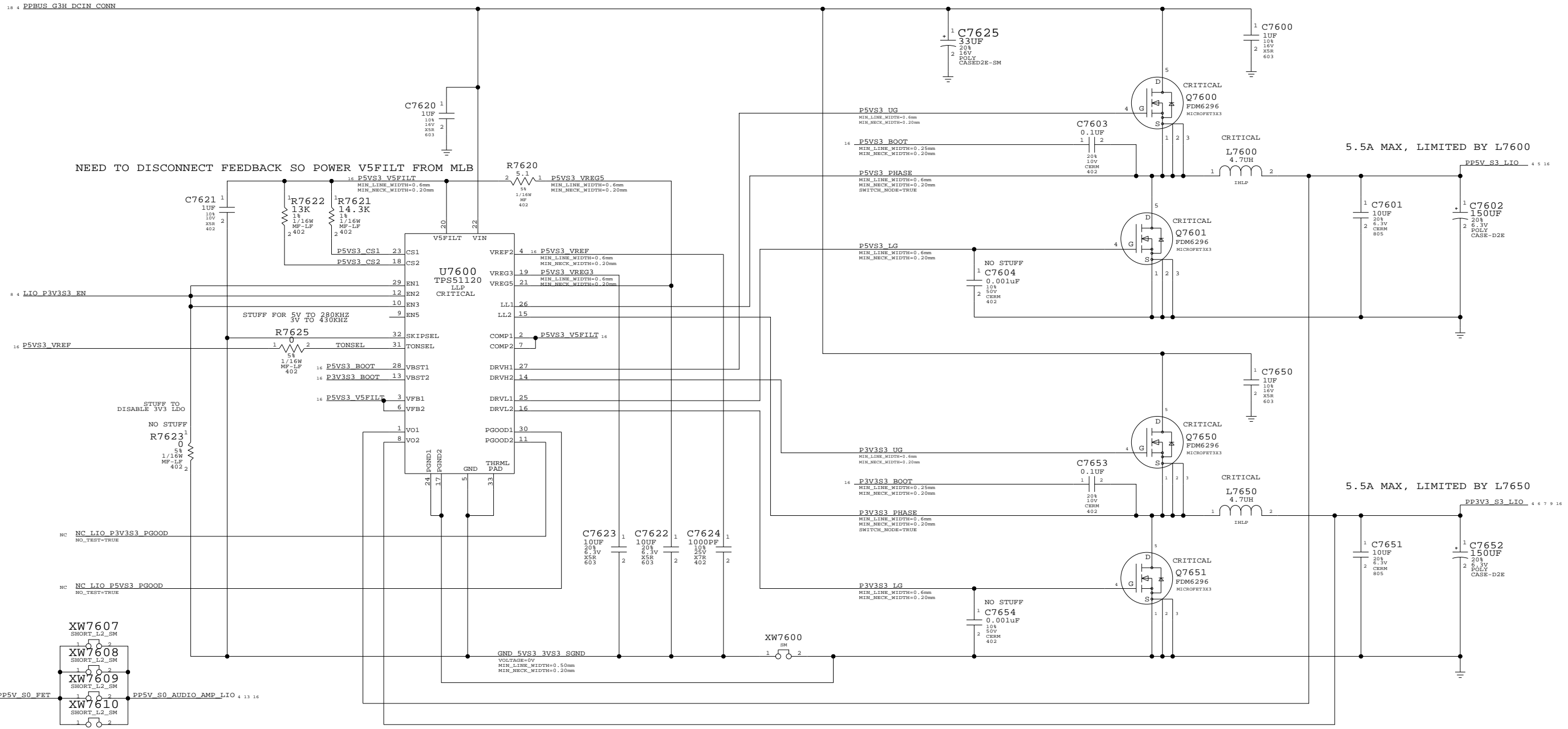


MIC INPUT CIRCUITRY



**AUDIO: JACK TRANSLATORS**  
 SYNC\_MASTER=LENGO\_M57\_AUDIO SYNC\_DATE=09/19/2006  
**NOTICE OF PROPRIETARY PROPERTY**  
 THE INFORMATION CONTAINED HEREIN IS THE PROPRIETARY PROPERTY OF APPLE COMPUTER, INC. THE POSSESSOR AGREES TO THE FOLLOWING  
 I TO MAINTAIN THE DOCUMENT IN CONFIDENCE  
 II NOT TO REPRODUCE OR COPY IT  
 III NOT TO REVEAL OR PUBLISH IN WHOLE OR PART

# 5V/3.3V POWER SUPPLY



NEED TO DISCONNECT FEEDBACK SO POWER V5FILT FROM MLB

STUFF FOR 5V TO 280KHZ  
3V TO 430KHZ

STUFF TO  
DISABLE SV3 LDO

XW7607  
SHORT\_L2\_SM

XW7608  
SHORT\_L2\_SM

XW7609  
SHORT\_L2\_SM

XW7610  
SHORT\_L2\_SM

5V S0 FET

CRITICAL  
Q7610  
IRF7707PBF  
TSSOP

PLACE XW7601 TO XW76010 CLOSE TO 5V SWITCHER AND S0 FET

R7610  
100K

C7610  
0.0022uF

XW7601  
SHORT\_L2\_SM

XW7602  
SHORT\_L2\_SM

XW7603  
SHORT\_L2\_SM

XW7604  
SHORT\_L2\_SM

XW7605  
SHORT\_L2\_SM

XW7606  
SHORT\_L2\_SM

3.3V S0 FET

CRITICAL  
Q7660  
IRF7707PBF  
TSSOP

UPDATE NET NAME FOR BETTER ALIASES

R7660  
100K

C7660  
0.0022uF

5V/3.3V SUPPLY

SYNC\_MASTER=<MASTER> SYNC\_DATE=<MASTER>

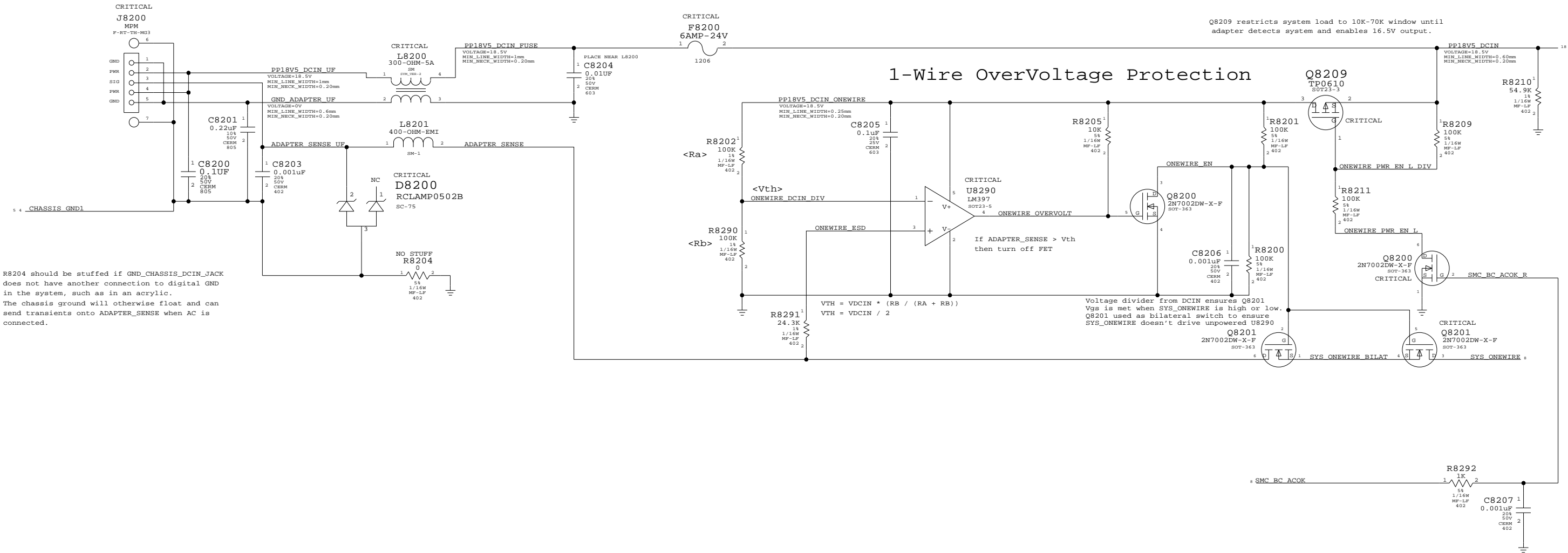
NOTICE OF PROPRIETARY PROPERTY

THE INFORMATION CONTAINED HEREIN IS THE PROPRIETARY PROPERTY OF APPLE COMPUTER, INC. THE POSSESSOR AGREES TO THE FOLLOWING  
I TO MAINTAIN THE DOCUMENT IN CONFIDENCE  
II NOT TO REPRODUCE OR COPY IT  
III NOT TO REVEAL OR PUBLISH IN WHOLE OR PART

APPLE COMPUTER INC.	SIZE	DRAWING NUMBER	REV.
	D	051-7165	A
SCALE	SHT	OF	
NONE	16	22	



# DC Power Jack



R8204 should be stuffed if GND\_CHASSIS\_DCIN\_JACK does not have another connection to digital GND in the system, such as in an acrylic. The chassis ground will otherwise float and can send transients onto ADAPTER\_SENSE when AC is connected.

## DC-In & Battery Connectors

SYNC\_MASTER=(MASTER) SYNC\_DATE=(MASTER)

**NOTICE OF PROPRIETARY PROPERTY**

THE INFORMATION CONTAINED HEREIN IS THE PROPRIETARY PROPERTY OF APPLE COMPUTER, INC. THE POSSESSOR AGREES TO THE FOLLOWING

I TO MAINTAIN THE DOCUMENT IN CONFIDENCE

II NOT TO REPRODUCE OR COPY IT

III NOT TO REVEAL OR PUBLISH IN WHOLE OR PART

APPLE COMPUTER INC.	SIZE	DRAWING NUMBER	REV.
	D	051-7165	A
SCALE	SHT		OF
NONE	17		22

8

7

6

5

4

3

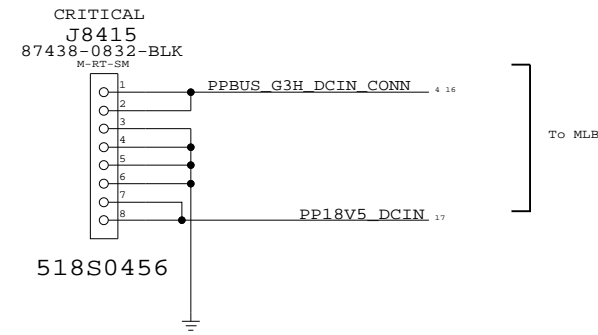
2

1

D

D

### Left I/O Power Connector



C

C

B

B

A

A

#### LEFT I/O POWER CONNECTOR

SYNC\_MASTER=(MASTER) SYNC\_DATE=(MASTER)

##### NOTICE OF PROPRIETARY PROPERTY

THE INFORMATION CONTAINED HEREIN IS THE PROPRIETARY PROPERTY OF APPLE COMPUTER, INC. THE POSSESSOR AGREES TO THE FOLLOWING

I TO MAINTAIN THE DOCUMENT IN CONFIDENCE

II NOT TO REPRODUCE OR COPY IT

III NOT TO REVEAL OR PUBLISH IN WHOLE OR PART

APPLE COMPUTER INC.	SIZE	DRAWING NUMBER	REV.
	D	051-7165	A
SCALE	SHT		
NONE	18 OF		22

8

7

6

5

4

3

2

1

# CHANGE LIST

05/04/06:

INITIAL M57 YUBA SCHEMATIC CREATED. LATEST AUDIO CIRCUITRY SYNCED INTO SCHEMATIC.

05/05/06:

PAGE 4: UPDATED ALIASES

PAGE 8: UPDATED LIO-MLB CONNECTOR WITH SMBUS ALS TEMP SIGNALS

PAGE 9: ADDED LEFT ALS TEMP SENSOR(U6402)

PAGE 18: CHANGED DC-IN CONNECTOR TO BLACK

PAGE 6: REMOVED UNNEEDED EXPRESSCARD COMPONENTS (AND GATE FOR SMC INPUT)

PAGE 16: REMOVED D7800,R7802; CHANGED TO ISL6269A

05/05/06:

PAGE 6: CHANGED EXPRESSCARD CONNECTOR TO BLACK

PAGE 18: REMOVED UNEEDED BOM OPTIONS AND COMPONENTS IN ONE-WIRE CIRCUIT

FUTURE UPDATES LOGGED IN PERFORCE

D

D

C

C

B

B

A

A

## HISTORY: NON-AUDIO

SYNC\_MASTER=(MASTER)

SYNC\_DATE=(MASTER)

### NOTICE OF PROPRIETARY PROPERTY

THE INFORMATION CONTAINED HEREIN IS THE PROPRIETARY PROPERTY OF APPLE COMPUTER, INC. THE POSSESSOR AGREES TO THE FOLLOWING

I TO MAINTAIN THE DOCUMENT IN CONFIDENCE

II NOT TO REPRODUCE OR COPY IT

III NOT TO REVEAL OR PUBLISH IN WHOLE OR PART



APPLE COMPUTER INC.

SIZE	DRAWING NUMBER	REV.
D	051-7165	A
SCALE	SHT OF	
NONE	19 OF 22	

8

7

6

5

4

3

2

1

### CHANGE LIST

MAY 03 2006:FIRST RELEASE

MAY 04 2006:REMOVED U7350

MAY 10 2006:CONNECT XW7200.1 TO GND\_AUDIO\_PWR INSTEAD OF 5V, REPLACED C7301/02/04/52/53/55 WITH ZAP DIODES

MAY 25 2006:REPLACED R6801, R7000, R7200 WITH 155S0138.CHANGED C6803 TO 22UF ROHS COMPLIANT CAP

MAY 31 2006:CHANGE U6800 TO 353S1458, DC SCREENED VERSION. CHANGED NETNAME "=GND\_AUDIO\_PWR" TO "=GND\_AUDIO\_AMP"  
CHANGED NETNAME "=PP5V\_S0\_AUDIO\_PWR" TO "=PP5V\_S0\_AUDIO\_AMP"

JUNE 1 2006:ADDED NETNAMES TO NC PINS ON U6800. ADDED "NO\_TEST=TRUE" ATTRIBUTES TO NC NETS.

JUNE 28 2006:ADDED CRITICAL TO U6800. REMOVE "?" FROM BOMOPTION TABLE

D

D

C

C

B

B

A

A

8

7

6

5

4

3

2

1

#### NOTICE OF PROPRIETARY PROPERTY

THE INFORMATION CONTAINED HEREIN IS THE PROPRIETARY PROPERTY OF APPLE COMPUTER, INC. THE POSSESSOR AGREES TO THE FOLLOWING

I TO MAINTAIN THE DOCUMENT IN CONFIDENCE

II NOT TO REPRODUCE OR COPY IT

III NOT TO REVEAL OR PUBLISH IN WHOLE OR PART



APPLE COMPUTER INC.

SIZE	DRAWING NUMBER	REV.
D	051-7165	A
SCALE	SHT OF	
NONE	20 22	

	8	7	6	5	4	3	2	1	
	Title: Basenet Report Design: lio Date: Sep 25 19:44:16 2006		CHASSIS_GND3 CHASSIS_GND3 - @lio.lib.LIO 14A8 14B1 14B1 14B1 14B8 CHASSIS_GND4 CHASSIS_GND4 - @lio.lib.LIO 15A4 EC_HOLE1 EC_HOLE1 - @lio.lib.LIO 4A7 4A8 14C3 EC_HOLE2 EC_HOLE2 - @lio.lib.LIO 6D3 EXCARD_CLKREQ_CONN EXCARD_CLKREQ_CONN - @lio.lib.LIO 6B2 EXCARD_CLKREQ_CONN_L EXCARD_CLKREQ_CONN_L - @lio.lib.LIO 6B3 EXCARD_CLKREQ_L EXCARD_CLKREQ_L - @lio.lib.LIO 6A4 6C3 EXCARD_CPFE_L EXCARD_CPFE_L - @lio.lib.LIO 6A4 6C5 6B2 8C6 EXCARD_CPFE_L EXCARD_CPFE_L - @lio.lib.LIO 6A8 6C3 6C3 EXCARD_CPUSB_L EXCARD_CPUSB_L - @lio.lib.LIO 6A8 6C3 6C3 EXCARD_OC_L EXCARD_OC_L - @lio.lib.LIO 4C4 4C5 6C7 8C6 EXCARD_RCLKEN EXCARD_RCLKEN - @lio.lib.LIO 6B3 6C5 EXCARD_SHDN_LR EXCARD_SHDN_LR - @lio.lib.LIO 6C6 GND_SVS3_SVS3_SGND GND_SVS3_SVS3_SGND - @lio.lib.LIO 16A6 GND_ADAPTR_UP - @lio.lib.LIO 17D7 GND_AUDIO GND_AUDIO - @lio.lib.LIO 4A7 4A7 4A8 10A6 10B6 GND_AUDIO_HPAMP_PGND GND_AUDIO_HPAMP_PGND - @lio.lib.LIO 12C5 GND_AUDIO_HPAMP_SGND GND_AUDIO_HPAMP_SGND - @lio.lib.LIO 12B2 12C5 LEFT_ALS_GAIN_SW LEFT_ALS_GAIN_SW - @lio.lib.LIO 8C6 9C4 LEFT_ALS_GAIN_SW_R LEFT_ALS_GAIN_SW_R - @lio.lib.LIO 9C5 LEFT_ALS_OP_COMP LEFT_ALS_OP_COMP - @lio.lib.LIO 9C6 LEFT_ALS_OP_IN LEFT_ALS_OP_IN - @lio.lib.LIO 9C5 LEFT_ALS_OUT LEFT_ALS_OUT - @lio.lib.LIO 8C6 9C4 LEFT_ALS_OUT_FB LEFT_ALS_OUT_FB - @lio.lib.LIO 9C5 LEFT_GAIN_SETTING LEFT_GAIN_SETTING - @lio.lib.LIO 9C5 LEFT_PHOTODIODE LEFT_PHOTODIODE - @lio.lib.LIO 9C6 LIO_P3V30_EN_R_L LIO_P3V30_EN_R_L - @lio.lib.LIO 16A3 LIO_P3V33_EN LIO_P3V33_EN - @lio.lib.LIO 4C3 4C4 8C6 16C8 LIO_P5V80_EN_R_L LIO_P5V80_EN_R_L - @lio.lib.LIO 16A8 MAX9705L1_NIN MAX9705L1_NIN - @lio.lib.LIO 13C6 MAX9705L1_PIN MAX9705L1_PIN - @lio.lib.LIO 13C6 MAX9705L2_NIN MAX9705L2_NIN - @lio.lib.LIO 13D6 MAX9705L2_PIN MAX9705L2_PIN - @lio.lib.LIO 13D6 MAX9705R1_NIN MAX9705R1_NIN - @lio.lib.LIO 13A6 MAX9705R1_PIN MAX9705R1_PIN - @lio.lib.LIO 13A6 MAX9705R2_NIN MAX9705R2_NIN - @lio.lib.LIO 13B6 MAX9705R2_PIN MAX9705R2_PIN - @lio.lib.LIO 13B6 MAX9722_CIN MAX9722_CIN - @lio.lib.LIO 12C4 MAX9722_CIP MAX9722_CIP - @lio.lib.LIO 12C4 MAX9722_PVSS MAX9722_PVSS - @lio.lib.LIO 12C4 MIC_HI MIC_HI - @lio.lib.LIO 14D3 15A6 MIC_IN MIC_IN - @lio.lib.LIO 15A5 MIC_LO MIC_LO - @lio.lib.LIO 14D3 15A6 MIC_SHIELD MIC_SHIELD - @lio.lib.LIO 14D3 15A6 MINI_CLKREQ_L MINI_CLKREQ_L - @lio.lib.LIO 4B4 4B5 7C6 8C6 NC_AUD_GPIO_2 NC_AUD_GPIO_2 - @lio.lib.LIO 10C7 NC_AUD_NCI1 NC_AUD_NCI1 - @lio.lib.LIO 10C4 NC_AUD_NCI2 NC_AUD_NCI2 - @lio.lib.LIO 10B4 NC_AUD_VREF_PORT_A NC_AUD_VREF_PORT_A - @lio.lib.LIO 10C4 NC_AUD_VREF_PORT_D NC_AUD_VREF_PORT_D - @lio.lib.LIO 10C4 NC_LED_WLAN_L NC_LED_WLAN_L - @lio.lib.LIO 7B3 NC_LED_WFAN_L NC_LED_WFAN_L - @lio.lib.LIO 7B3 NC_LED_WWAN_L NC_LED_WWAN_L - @lio.lib.LIO 7B3 NC_LIO_P3V33_PGOOD NC_LIO_P3V33_PGOOD - @lio.lib.LIO 16B7 NC_LIO_P5V80_PGOOD NC_LIO_P5V80_PGOOD - @lio.lib.LIO 16B7 NC_UIM_CLK NC_UIM_CLK - @lio.lib.LIO 7C3 NC_UIM_DATA NC_UIM_DATA - @lio.lib.LIO 7C3 NC_UIM_PWR NC_UIM_PWR - @lio.lib.LIO 7C3 NC_UIM_RESET NC_UIM_RESET - @lio.lib.LIO 7C3 NC_UIM_VFP NC_UIM_VFP - @lio.lib.LIO 7C3 NC_VOL_DOWN NC_VOL_DOWN - @lio.lib.LIO 10C7 NC_VOL_UP NC_VOL_UP - @lio.lib.LIO 10C7 NC_VREG_POK NC_VREG_POK - @lio.lib.LIO 10A4 NC_W_DISABLE_L NC_W_DISABLE_L - @lio.lib.LIO 7C3 ONWIRE_DCI_DIV ONWIRE_DCI_DIV - @lio.lib.LIO 17C5 ONWIRE_EN ONWIRE_EN - @lio.lib.LIO 17D3 ONWIRE_ESD ONWIRE_ESD - @lio.lib.LIO 17C4 ONWIRE_OVERVOLT ONWIRE_OVERVOLT - @lio.lib.LIO 17C4 ONWIRE_PWR_EN_L ONWIRE_PWR_EN_L - @lio.lib.LIO 17C2 ONWIRE_PWR_EN_L_DIV ONWIRE_PWR_EN_L_DIV - @lio.lib.LIO 17D2 P3V33_BOOT P3V33_BOOT - @lio.lib.LIO 16B4 16B6 P3V33_LG P3V33_LG - @lio.lib.LIO 16B4 P3V33_PHASE P3V33_PHASE - @lio.lib.LIO 16B4 P3V33_UG P3V33_UG - @lio.lib.LIO 16B4 P5V3_BOOT P5V3_BOOT - @lio.lib.LIO 16C4 16C6 P5V3_C81 P5V3_C81 - @lio.lib.LIO 16C6 P5V3_C82 P5V3_C82 - @lio.lib.LIO 16C6 P5V3_LG P5V3_LG - @lio.lib.LIO 16C4 P5V3_PHASE P5V3_PHASE - @lio.lib.LIO 16C4 P5V3_UG P5V3_UG - @lio.lib.LIO 16C4 P5V3_V5FILT P5V3_V5FILT - @lio.lib.LIO 16B6 16C5 16C6 P5V3_VREF P5V3_VREF - @lio.lib.LIO 16C5 16C8 P5V3_VREG3 P5V3_VREG3 - @lio.lib.LIO 16C5 P5V3_VREG5 P5V3_VREG5 - @lio.lib.LIO 16C5 PCIE_CLK100M_EXCARD_P PCIE_CLK100M_EXCARD_P - 4D2 4D5 6C3 8B1 N PCIE_CLK100M_EXCARD_P PCIE_CLK100M_EXCARD_P - 4D2 4D5 6C3 8B1 P PCIE_CLK100M_EXCARD_P PCIE_CLK100M_EXCARD_P - 8C4 UF_N PCIE_CLK100M_EXCARD_P PCIE_CLK100M_EXCARD_P - 8B4 UF_P PCIE_CLK100M_MINI_N PCIE_CLK100M_MINI_N - @lio.lib.LIO 4B2 4B5 7C6 8C1 PCIE_CLK100M_MINI_P PCIE_CLK100M_MINI_P - @lio.lib.LIO 4B2 4B5 7C6 8C1 PCIE_CLK100M_MINI_UP_N PCIE_CLK100M_MINI_UP_N - @lio.lib.LIO 8C4 PCIE_CLK100M_MINI_UP_P PCIE_CLK100M_MINI_UP_P - 8C4 P PCIE_EXCARD_D2R_N PCIE_EXCARD_D2R_N - @lio.lib.LIO 4D2 4D5 6C3 8B3 PCIE_EXCARD_D2R_P PCIE_EXCARD_D2R_P - @lio.lib.LIO 4D2 4D5 6C3 8B3 PCIE_EXCARD_R2D_N PCIE_EXCARD_R2D_N - @lio.lib.LIO 4D2 4D5 6C3 8B3 PCIE_EXCARD_R2D_P PCIE_EXCARD_R2D_P - @lio.lib.LIO 4D2 4D5 6C3 8B3 PCIE_MINI_D2R_N PCIE_MINI_D2R_N - @lio.lib.LIO 4B2 4B5 7C6 8C3 PCIE_MINI_D2R_P PCIE_MINI_D2R_P - @lio.lib.LIO 4B2 4B5 7C6 8C3 PCIE_MINI_R2D_N PCIE_MINI_R2D_N - @lio.lib.LIO 4C2 4C5 7B6 8C3 PCIE_MINI_R2D_P PCIE_MINI_R2D_P - @lio.lib.LIO 4C2 4C5 7B6 8C3 PCIE_WAKE_L PCIE_WAKE_L - @lio.lib.LIO 4C3 4C3 4C4 6C3 7C6 8C6 PLT_RESET_L PLT_RESET_L - @lio.lib.LIO 4C3 4C4 6C7 7C3 8C6 PLT_RESET_SWITCH_L PLT_RESET_SWITCH_L - @lio.lib.LIO 6C3 6C3 PM_SLP_S3_L85V PM_SLP_S3_L85V - @lio.lib.LIO 4C3 4C3 4C4 8C6 16A4 16A8 PP1V5_S0_EXCARD_SWITC PP1V5_S0_EXCARD_SWITC - @lio.lib.LIO 6C3 6C3 CH PP1V5_S0_LIO PP1V5_S0_LIO - @lio.lib.LIO 4C7 4D7 4D7 4D8 6C7 6C8 7C2 8B3		PP3V3_AUDIO_CODEC PP3V3_AUDIO_CODEC - @lio.lib.LIO 10D6 PP3V3_S0_AUDIO_F PP3V3_S0_AUDIO_F - @lio.lib.LIO 15B4 15C8 15C8 15D8 PP3V3_S0_EXCARD_SWITC PP3V3_S0_EXCARD_SWITC - 6C3 6C3 CH PP3V3_S0_LIO PP3V3_S0_LIO - @lio.lib.LIO 4C7 4C7 4C7 4C7 4C8 6B4 6C7 7D2 10A6 10D7 14B8 14D8 15B5 16A2 6C3 6C3 PP3V3_S3_EXCARD_SWITC PP3V3_S3_EXCARD_SWITC - @lio.lib.LIO 4C7 4C7 4C7 4C7 4C7 4C8 PP3V3_S3_LIO PP3V3_S3_LIO - @lio.lib.LIO 6B8 6C7 6C8 7C2 9B4 9D6 16A4 16B1 PP4V5_AUDIO_ANALOG PP4V5_AUDIO_ANALOG - @lio.lib.LIO 10A2 10D2 11C7 15A8 15C5 PP4V5_AUDIO_LINE_IN PP4V5_AUDIO_LINE_IN - @lio.lib.LIO 11C5 PP5V_AUDIO_HPAMP_AVDD PP5V_AUDIO_HPAMP_AVDD_F - 12D4 D_F PP5V_AUDIO_HPAMP_PVDD PP5V_AUDIO_HPAMP_PVDD_F - 12D5 D_F PP5V_PWRON_USB_LEFT2 PP5V_PWRON_USB_LEFT2_EMI - 5D4 _EMI PP5V_PWRON_USB_LEFT PP5V_PWRON_USB_LEFT_EMI - 5B4 EMI PP5V_S0_AUDIO_AMP_LI PP5V_S0_AUDIO_AMP_LIO - 4B7 4B8 13A8 13B2 13B8 13C2 13C8 13D8 16A6 16A7 O PP5V_S0_AUDIO_F PP5V_S0_AUDIO_F - @lio.lib.LIO 13A8 13B1 13B8 13C8 13D8 PP5V_S0_AUDIO_HPAMP PP5V_S0_AUDIO_HPAMP - @lio.lib.LIO 4B7 4B8 10A6 12D7 16A6 PP5V_S0_FET PP5V_S0_FET - @lio.lib.LIO 16A7 16A8 PP5V_S3_LIO PP5V_S3_LIO - @lio.lib.LIO 4C7 4C7 4C7 4C8 5B8 16A8 16C1 PP5V_S3_USB_SWITCH_O PP5V_S3_USB_SWITCH_OUT1 - 5B5 UT1 PP5V_S3_USB_SWITCH_O PP5V_S3_USB_SWITCH_OUT2 - 5D5 UT2 PP18V5_DCIIN PP18V5_DCIIN - @lio.lib.LIO 17D1 18C4 PP18V5_DCIIN_FUSE PP18V5_DCIIN_FUSE - @lio.lib.LIO 17D6 PP18V5_DCIIN_ONWIRE PP18V5_DCIIN_ONWIRE - @lio.lib.LIO 17D5 PP18V5_DCIIN_UP PP18V5_DCIIN_UP - @lio.lib.LIO 17B7 PFBUS_G3H_DCIIN_CONN PFBUS_G3H_DCIIN_CONN - @lio.lib.LIO 4D6 4D7 4D8 16D8 18C4 SDATAIN SMBUS_SB_SCL SMBUS_SB_SCL - @lio.lib.LIO 4A2 4A3 6C3 8B6 SMBUS_SB_SDA SMBUS_SB_SDA - @lio.lib.LIO 4A4 4A5 6C3 8B6 SMBUS_SMC_SCL SMBUS_SMC_SCL - @lio.lib.LIO 4A2 4A2 4A3 7B3 8B3 9A6 SMBUS_SMC_SDA SMBUS_SMC_SDA - @lio.lib.LIO 4A4 4A4 4A5 7B3 8B3 9A6 8C6 17B2 SMC_BC_ACOCK_R SMC_BC_ACOCK_R - @lio.lib.LIO 17C1 SMC_EXCARD_CP SMC_EXCARD_CP - @lio.lib.LIO 6A6 8C6 SMC_EXCARD_PWR_EN SMC_EXCARD_PWR_EN - @lio.lib.LIO 6C7 8C6 SPKRAMP_L1_N_OUT SPKRAMP_L1_N_OUT - @lio.lib.LIO 13C4 13C5 SPKRAMP_L1_P_OUT SPKRAMP_L1_P_OUT - @lio.lib.LIO 13C4 13C5 SPKRAMP_L2_N_OUT SPKRAMP_L2_N_OUT - @lio.lib.LIO 13D4 13D5 SPKRAMP_L2_P_OUT SPKRAMP_L2_P_OUT - @lio.lib.LIO 13D4 13D5 SPKRAMP_R1_N_OUT SPKRAMP_R1_N_OUT - @lio.lib.LIO 13A4 13A5 SPKRAMP_R1_P_OUT SPKRAMP_R1_P_OUT - @lio.lib.LIO 13A4 13A5 SPKRAMP_R2_N_OUT SPKRAMP_R2_N_OUT - @lio.lib.LIO 13B4 13B5 SPKRAMP_R2_P_OUT SPKRAMP_R2_P_OUT - @lio.lib.LIO 13B4 13B5 SPKRAMP_SYNC1 SPKRAMP_SYNC1 - @lio.lib.LIO 13C5 13D5 SPKRAMP_SYNC2 SPKRAMP_SYNC2 - @lio.lib.LIO 13B5 13C5 SPKRAMP_SYNC3 SPKRAMP_SYNC3 - @lio.lib.LIO 13A5 13B5 SPKRAMP_THERMPAD SPKRAMP_THERMPAD - @lio.lib.LIO 13A5 13B5 13B5 13C5 13C5 SPKRCONN_L1_N_OUT SPKRCONN_L1_N_OUT - @lio.lib.LIO 13C3 14C3 SPKRCONN_L1_P_OUT SPKRCONN_L1_P_OUT - @lio.lib.LIO 13C3 14C3 SPKRCONN_L2_N_OUT SPKRCONN_L2_N_OUT - @lio.lib.LIO 13D3 14C3 SPKRCONN_L2_P_OUT SPKRCONN_L2_P_OUT - @lio.lib.LIO 13D3 14C3 SPKRCONN_R1_N_OUT SPKRCONN_R1_N_OUT - @lio.lib.LIO 13A3 14C3 SPKRCONN_R1_P_OUT SPKRCONN_R1_P_OUT - @lio.lib.LIO 13A3 14C3 SPKRCONN_R2_N_OUT SPKRCONN_R2_N_OUT - @lio.lib.LIO 13B3 14C3 SPKR_SHIELD SPKR_SHIELD - @lio.lib.LIO 14C2 SYS_ONWIRE SYS_ONWIRE - @lio.lib.LIO 8C6 17C1 SYS_ONWIRE_BILAT SYS_ONWIRE_BILAT - @lio.lib.LIO 17C2 TONSEL TONSEL - @lio.lib.LIO 16C6 TP_EXCARD_STBY_L TP_EXCARD_STBY_L - @lio.lib.LIO 6C7 TP_USB2_MININ TP_USB2_MININ - @lio.lib.LIO 4A3 USB2_MINI_N TP_USB2_MINI_P - @lio.lib.LIO 4A5 7B3 TP_USB2_MINIP USB2_EXCARD_N USB2_EXCARD_N - @lio.lib.LIO 4A5 7B3 USB2_EXCARD_P USB2_EXCARD_P - @lio.lib.LIO 4D2 4D5 6C3 8C3 USB_LEFT2_EMI_N USB_LEFT2_EMI_P - @lio.lib.LIO 5C4 USB_LEFT2_GND USB_LEFT2_GND - @lio.lib.LIO 5C4 USB_LEFT2_N USB_LEFT2_N - @lio.lib.LIO 4B3 4B5 5C5 8C3 USB_LEFT2_OC_L USB_LEFT2_OC_L - @lio.lib.LIO 4A3 4A5 5B8 8C6 USB_LEFT2_P USB_LEFT2_P - @lio.lib.LIO 4B3 4B5 5C5 8C3 USB_LEFT2_EMI_N USB_LEFT2_EMI_N - @lio.lib.LIO 5B4 USB_LEFT2_EMI_P USB_LEFT2_EMI_P - @lio.lib.LIO 5B4 USB_LEFT_GND USB_LEFT_GND - @lio.lib.LIO 5B3 USB_LEFT_N USB_LEFT_N - @lio.lib.LIO 4B3 4B5 5B5 8C3 USB_LEFT_OC_L USB_LEFT_OC_L - @lio.lib.LIO 4B3 4B5 5B8 8C6 USB_LEFT_P USB_LEFT_P - @lio.lib.LIO 4B3 4B5 5B5 8C3 VREG_FB VREG_FB - @lio.lib.LIO 10A3				
D									
C									
B									
A									

