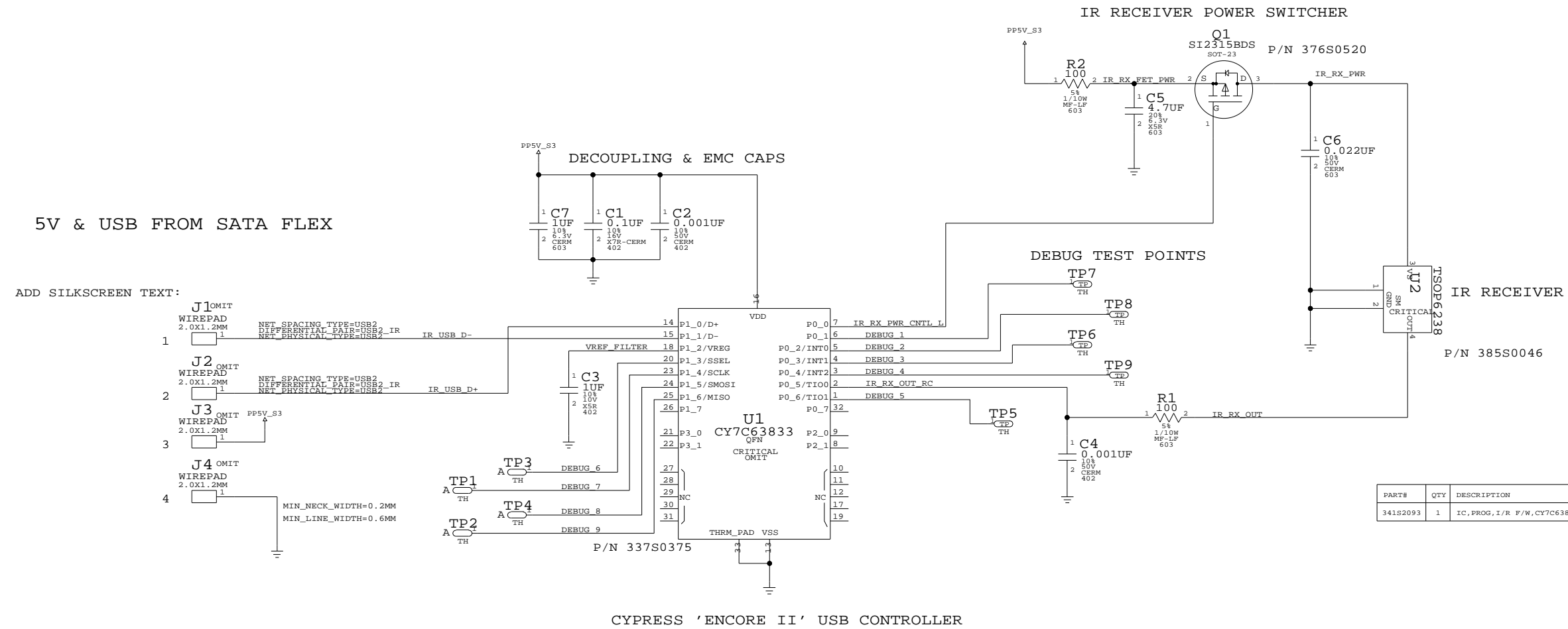


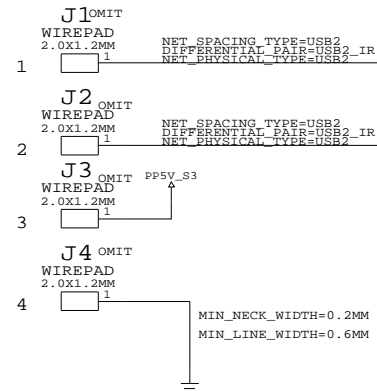
SCHEM, IRB, M87

REV	ZONE	ECN	DESCRIPTION OF CHANGE	CK APPD	ENG APPD
			DATE	DATE	DATE
A		554162	PRODUCTION RELEASED	12/18/07	?

1. ALL RESISTANCE VALUES ARE IN OHMS, 0.1 WATT +/- 5%.
2. ALL CAPACITANCE VALUES ARE IN MICROFARADS.
3. ALL CRYSTALS & OSCILLATOR VALUES ARE IN HERTZ.



ADD SILKSCREEN TEXT:



PART#	QTY	DESCRIPTION	REFERENCE DESIGNATOR(S)	CRITICAL	BOM OPTION
341S2093	1	IC, PROG, I/R F/W, CY7C6383	U1	CRITICAL	

DATE	DESIGNER	PRODUCTION RELEASED
8/27/07	NMARTIN	BRANCHED FROM M75

PART#	QTY	DESCRIPTION	REFERENCE DESIGNATOR(S)	CRITICAL	BOM OPTION
051-7494	1	SCHEM, IRB, M87	SCH	CRITICAL	
820-2306	1	PCBF, IRB, M87	PCB	CRITICAL	
630-9180	1	PCBA, IRB, M87	BOM		OMIT
000-0041	1	PLACEHOLDER FOR EEE/CCC INFO	[EEE:XPQ]	CRITICAL	

DIMENSIONS ARE IN MILLIMETERS		METRIC		APPLE INC.	
XX :	_____	DRAPTR	DESIGN CK	NOTICE OF PROPRIETARY PROPERTY THE INFORMATION CONTAINED HEREIN IS THE PROPRIETARY PROPERTY OF APPLE COMPUTER, INC. THE POSSESSOR AGREES TO THE FOLLOWING: I. TO MAINTAIN THE DOCUMENT IN CONFIDENCE II. NOT TO REPRODUCE OR COPY IT III. NOT TO REVEAL OR PUBLISH IN WHOLE OR PART	
X.XX :	_____	ENG APPD	MFG APPD		
X.XXX :	_____	QA APPD	DESIGNER		
ANGLES :	_____	RELEASE	SCALE		
DO NOT SCALE DRAWING		NONE		TITLE	
THIRD ANGLE PROJECTION		MATERIAL/FINISH NOTED AS APPLICABLE		DRAWING NUMBER	
		SIZE D		051-7494	
				REV. A	
				SHT 1 OF 1	

D
C
B
A

D
C
B
A