

8

7

6

5

4

3

2

1

- 1. ALL RESISTANCE VALUES ARE IN OHMS, 0.1 WATT +/- 5%.
- 2. ALL CAPACITANCE VALUES ARE IN MICROFARADS.
- 3. ALL CRYSTALS & OSCILLATOR VALUES ARE IN HERTZ.

| REV | ZONE | ECN | DESCRIPTION OF CHANGE | CK APPD DATE | ENG APPD DATE |
|-----|------|--------|-----------------------|-----------------|------------------|
| 06 | | 412666 | ENGINEERING RELEASED | 12/02/05? | |


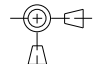
SCHEM, BUZZ, M1

DVT

12/02/05

| PDF PAGE | CSA PAGE | CONTENTS | SYNC MASTER | DATE |
|----------|----------|-----------------------------|--------------|------------|
| 1 | 1 | Table of Contents | | |
| 2 | 2 | Block Diagram | | |
| 3 | 4 | BOM Configuration | (Master) | (Master) |
| 4 | 6 | Aliases | (Master) | (Master) |
| 5 | 51 | Left USB Port | (Master) | (Master) |
| 6 | 53 | ExpressCard Connector | (Master) | (Master) |
| 7 | 54 | PCI-E MiniCard Connector | (Master) | (Master) |
| 8 | 55 | MLB I/O Board Connector | (Master) | (Master) |
| 9 | 68 | AUDIO: CODEC | LENGO_M1_LIO | 12/02/2005 |
| 10 | 72 | AUDIO:SPEAKER AMP | LENGO_M1_LIO | 12/02/2005 |
| 11 | 73 | AUDIO: JACKS | LENGO_M1_LIO | 12/02/2005 |
| 12 | 74 | AUDIO: JACK TRANSLATORS | LENGO_M1_LIO | 12/02/2005 |
| 13 | 78 | 3.3V Supply | (Master) | (Master) |
| 14 | 82 | DC-In & Battery Connectors | (Master) | (Master) |
| 15 | 83 | PBus Supply & Batt. Charger | (Master) | (Master) |
| 16 | 84 | Current & Thermal Sensors | (Master) | (Master) |
| 17 | 85 | Cross Reference Page | | |
| 18 | 86 | Cross Reference Page | | |

| PART# | QTY | DESCRIPTION | REFERENCE DESIGNATOR(S) | CRITICAL | BOM OPTION |
|----------|-----|-----------------|-------------------------|----------|------------|
| 051-6951 | 1 | SCHEM, BUZZ, M1 | SCH1 | | |
| 820-1699 | 1 | PCBF, BUZZ, M1 | PCB1 | | |

| | | | | | |
|-----------------------------------------------------------------------------------------------------------------|-------------------------------------|---------------|-----------------------------------------------------------------------------------------------------------------------------------------------------------------------------------------------------------------------------------------------------------------------------------------------------|-----------------------------------------------------------------------------------------------------------|--|
| DIMENSIONS ARE IN MILLIMETERS | | METRIC | |  Apple Computer Inc. | |
| XX : _____ | DRAPTER | DESIGN CK | NOTICE OF PROPRIETARY PROPERTY THE INFORMATION CONTAINED HEREIN IS THE PROPRIETARY PROPERTY OF APPLE COMPUTER, INC. THE POSSESSOR AGREES TO THE FOLLOWING: I TO MAINTAIN THE DOCUMENT IN CONFIDENCE II NOT TO REPRODUCE OR COPY IT III NOT TO REVEAL OR PUBLISH IN WHOLE OR PART | | |
| X.XX : _____ | ENG APPD | MFG APPD | | | |
| X.XXX : _____ | QA APPD | DESIGNER | | | |
| ANGLES : _____ | RELEASE | SCALE | | | |
| DO NOT SCALE DRAWING | | NONE | SCHEM, BUZZ, M1 | | |
|  THIRD ANGLE PROJECTION | MATERIAL/FINISH NOTED AS APPLICABLE | SIZE D | | | |
| SHT 1 OF 86 | | | | | |

8

7

6

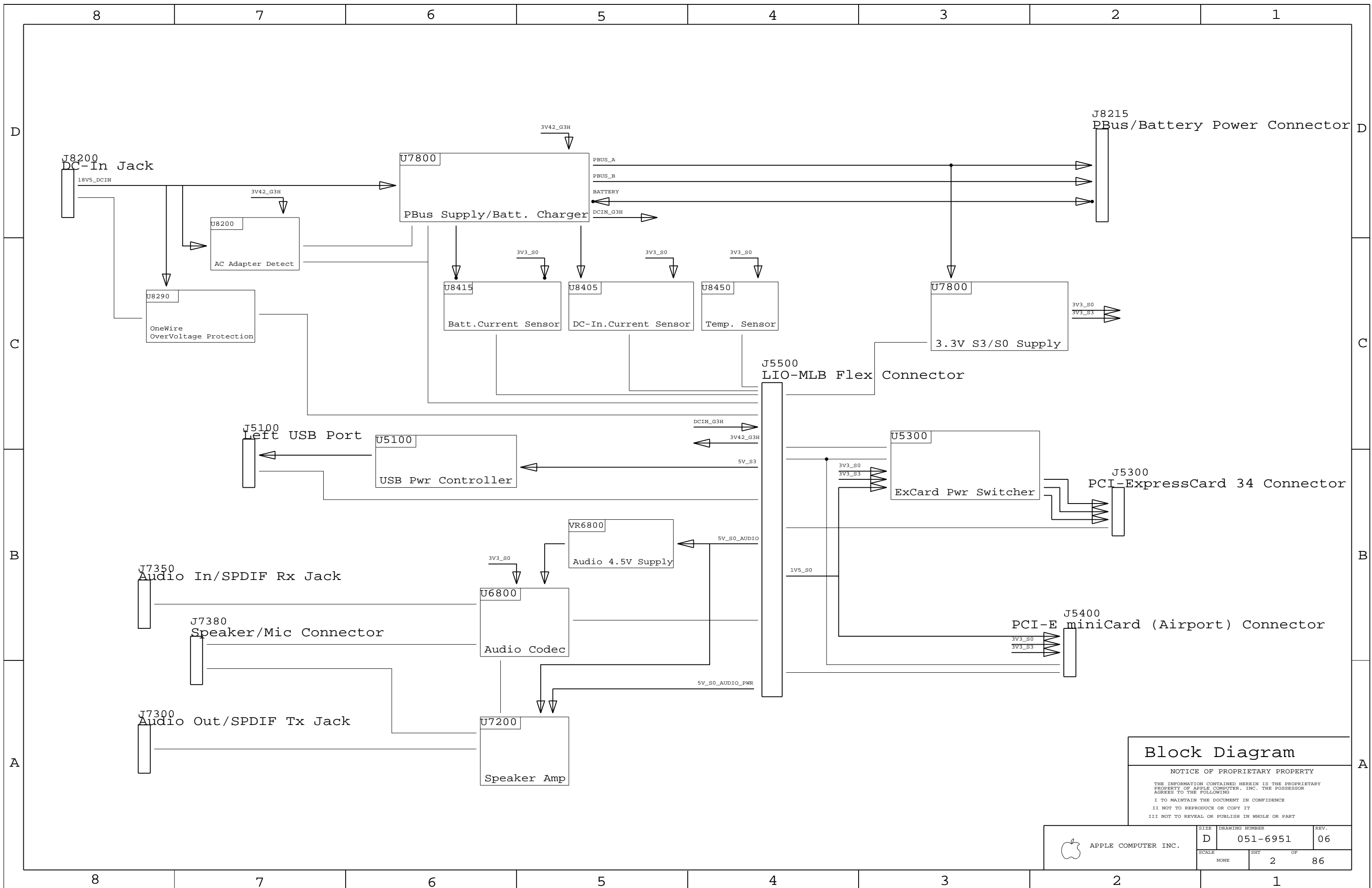
5

4

3

2

1



Block Diagram

NOTICE OF PROPRIETARY PROPERTY
 THE INFORMATION CONTAINED HEREIN IS THE PROPRIETARY PROPERTY OF APPLE COMPUTER, INC. THE POSSESSOR AGREES TO THE FOLLOWING
 I TO MAINTAIN THE DOCUMENT IN CONFIDENCE
 II NOT TO REPRODUCE OR COPY IT
 III NOT TO REVEAL OR PUBLISH IN WHOLE OR PART

| | | | |
|---------------------|------|----------------|------|
| APPLE COMPUTER INC. | SIZE | DRAWING NUMBER | REV. |
| | D | 051-6951 | 06 |
| SCALE | SHT | OF | |
| NONE | 2 | | 86 |

8

7

6

5

4

3

2

1

| BOM NUMBER | BOM NAME | BOM OPTIONS |
|------------|--------------------|------------------------------------------------------------------|
| 630-7249 | PCBA,BUZZ,M1 | 075-0144,075-0145,EEE_TY6 |
| 630-7460 | PCBA,BUZZ,M1A | 075-0187,075-0145,EEE_UV3 |
| 075-0144 | PROJ_PTS,BUZZ,M1 | COMMON,EXCARD_3CNTL,M1_PARTS,ONEWIRE_DIV,STA9220,ONEWIRE_PWRCTL |
| 075-0145 | LEMENU_PTS,BUZZ,M1 | LEMENU |
| 075-0187 | PROJ_PTS,BUZZ,M1A | COMMON,EXCARD_3CNTL,M1A_PARTS,ONEWIRE_DIV,STA9220,ONEWIRE_PWRCTL |

Phantom BOM #'s

| PART NUMBER | QTY | DESCRIPTION | REFERENCE DES | CRITICAL | BOM OPTION |
|-------------|-----|--------------------|---------------|----------|------------|
| 075-0144 | 1 | PROJ_PTS,BUZZ,M1 | BOM1 | | 075-0144 |
| 075-0145 | 1 | LEMENU_PTS,BUZZ,M1 | BOM2 | | 075-0145 |
| 075-0187 | 1 | PROJ_PTS,BUZZ,M1A | BOM1 | | 075-0187 |

Bar Code Label / EEE #'s

| PART NUMBER | QTY | DESCRIPTION | REFERENCE DES | CRITICAL | BOM OPTION |
|-------------|-----|------------------------------|---------------|----------|------------|
| 000-0041 | 1 | PLACEHOLDER FOR EEE/CCC INFO | [EEE:TY6] | CRITICAL | EEE_TY6 |
| 000-0041 | 1 | PLACEHOLDER FOR EEE/CCC INFO | [EEE:UV3] | CRITICAL | EEE_UV3 |

M1A Parts

| PART NUMBER | QTY | DESCRIPTION | REFERENCE DES | CRITICAL | BOM OPTION |
|-------------|-----|-----------------------------------------|---------------|----------|------------|
| 514-0306 | 1 | CONN,RCPT,R/A,3.6 CL,BLK | J5100 | CRITICAL | M1A_PARTS |
| 514-0307 | 1 | CONN,RCPT,RT ANG,MPM,10A,5P,BLK | J8200 | CRITICAL | M1A_PARTS |
| 514-0308 | 1 | CONN,RCPT,OPT-COPPER,SPDIF RX,3.5MM,BLK | J7350 | CRITICAL | M1A_PARTS |
| 514-0309 | 1 | CONN,RCPT,OPT-COPPER,SPDIF TX,3.5MM,BLK | J7300 | CRITICAL | M1A_PARTS |

D

D

C

C


B

B

A

A

| BOM Configuration | | |
|----------------------------------------------------------------------------------------------------------------------------|--------------------|--|
| SYNC_MASTER=(Master) | SYNC_DATE=(Master) | |
| NOTICE OF PROPRIETARY PROPERTY | | |
| THE INFORMATION CONTAINED HEREIN IS THE PROPRIETARY PROPERTY OF APPLE COMPUTER, INC. THE POSSESSOR AGREES TO THE FOLLOWING | | |
| I TO MAINTAIN THE DOCUMENT IN CONFIDENCE | | |
| II NOT TO REPRODUCE OR COPY IT | | |
| III NOT TO REVEAL OR PUBLISH IN WHOLE OR PART | | |

| | | | |
|-----------------------------------------------------------------------------------------------------------|------|----------------|------|
|  APPLE COMPUTER INC. | SIZE | DRAWING NUMBER | REV. |
| | D | 051-6951 | 06 |
| SCALE | SHT | OF | |
| NONE | 4 | | 86 |

8

7

6

5

4

3

2

1



Aliases

SYNC_MASTER=(Master) SYNC_DATE=(Master)

NOTICE OF PROPRIETARY PROPERTY

THE INFORMATION CONTAINED HEREIN IS THE PROPRIETARY PROPERTY OF APPLE COMPUTER, INC. THE POSSESSOR AGREES TO THE FOLLOWING

I TO MAINTAIN THE DOCUMENT IN CONFIDENCE

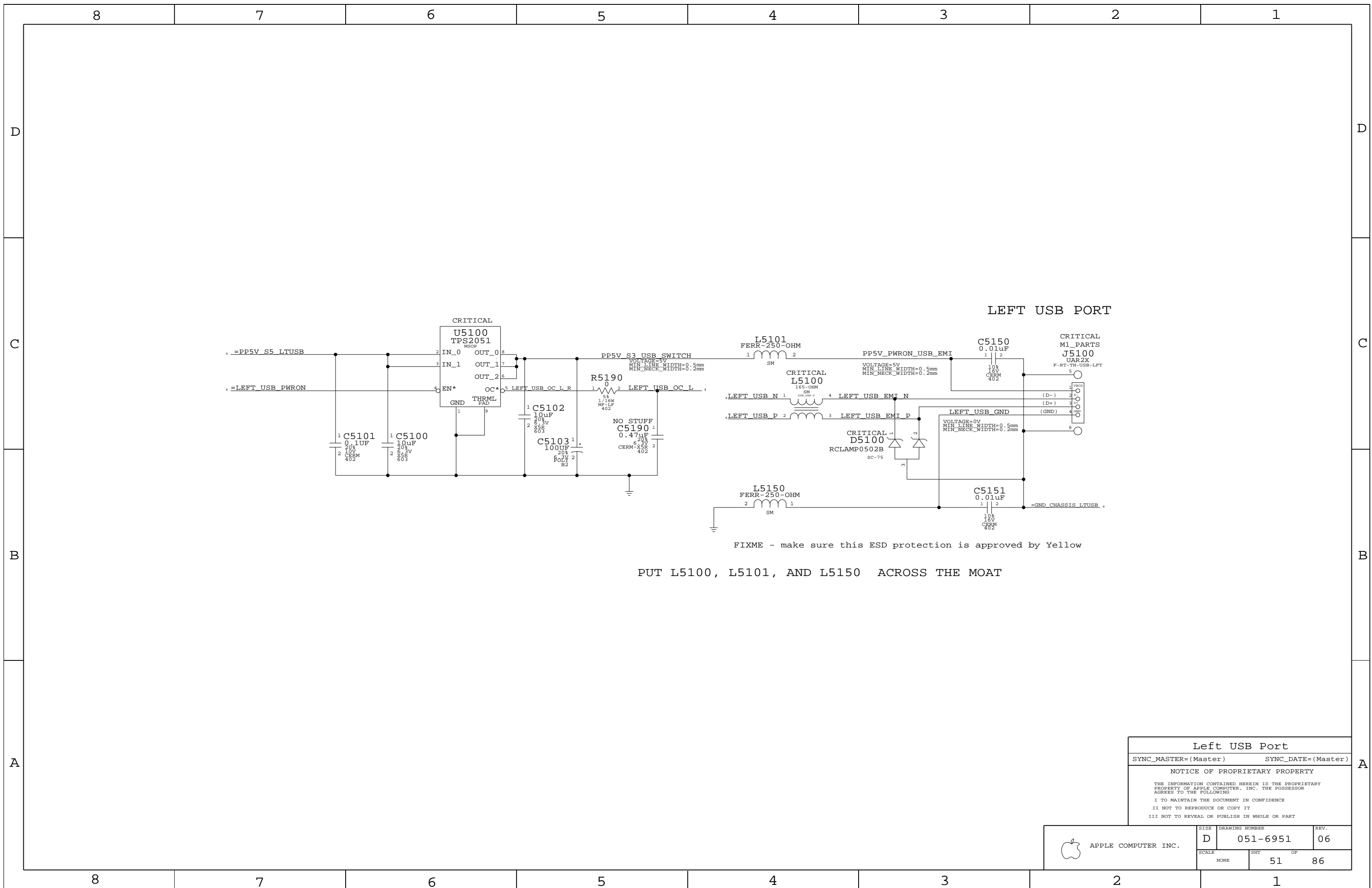
II NOT TO REPRODUCE OR COPY IT

III NOT TO REVEAL OR PUBLISH IN WHOLE OR PART

| | | | | |
|---------------------|-------|-----|----|------|
| APPLE COMPUTER INC. | SCALE | DIT | OF | REV. |
| | NONE | 6 | 86 | 06 |

DRAWING NUMBER
D 051-6951

SCALE SHEET OF



FIXME - make sure this ESD protection is approved by Yellow

PUT L5100, L5101, AND L5150 ACROSS THE MOAT

Left USB Port

SYNC_MASTER=(Master) SYNC_DATE=(Master)

NOTICE OF PROPRIETARY PROPERTY

THE INFORMATION CONTAINED HEREIN IS THE PROPRIETARY PROPERTY OF APPLE COMPUTER, INC. THE POSSESSOR AGREES TO THE FOLLOWING

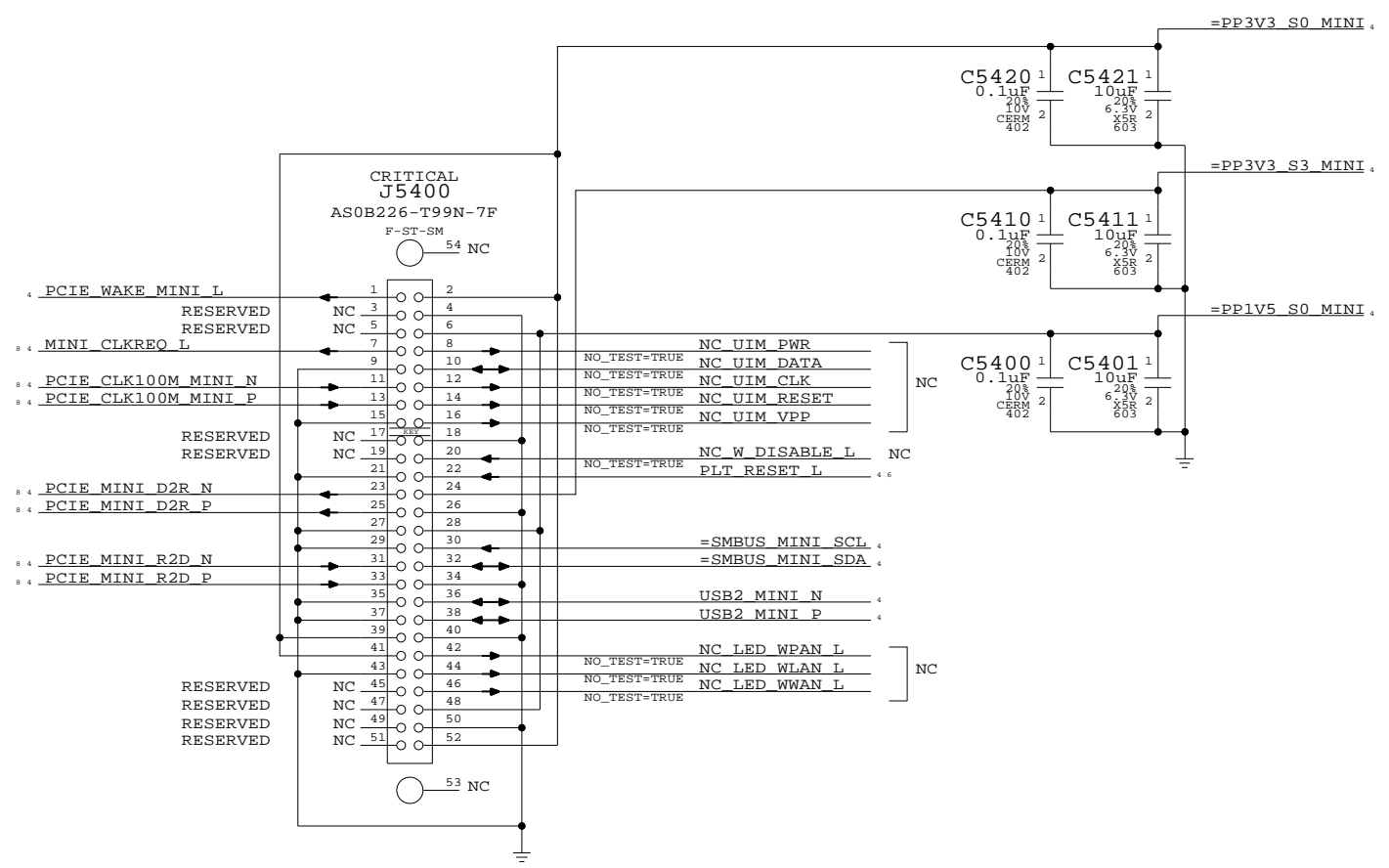
I TO MAINTAIN THE DOCUMENT IN CONFIDENCE

II NOT TO REPRODUCE OR COPY IT

III NOT TO REVEAL OR PUBLISH IN WHOLE OR PART

| | | | |
|---------------------|--------|----------------|------|
| APPLE COMPUTER INC. | SIZE | DRAWING NUMBER | REV. |
| | D | 051-6951 | 06 |
| SCALE | SHT OF | | |
| NONE | 51 | | 86 |

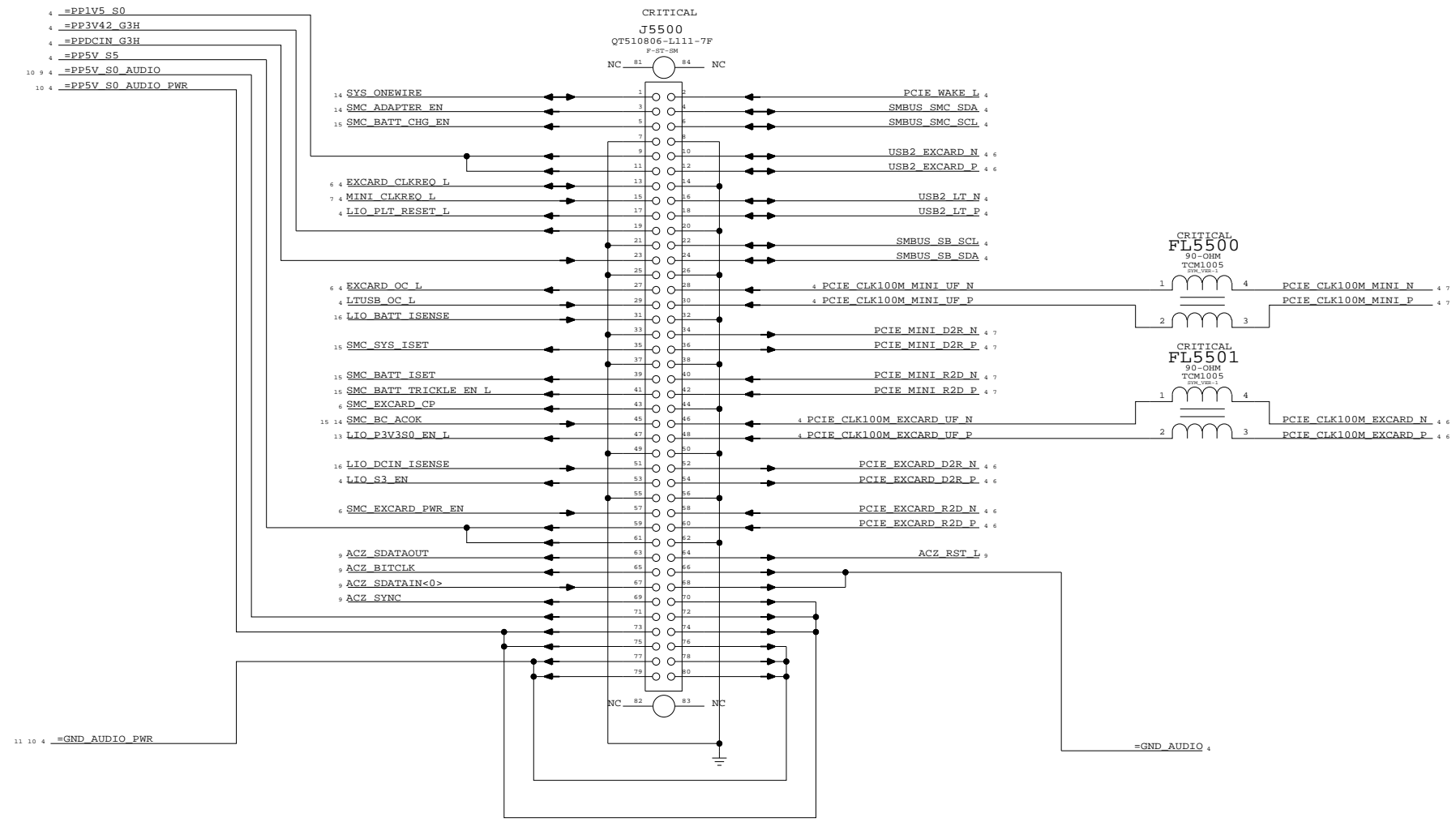
PCI-EXPRESS MINI CARD CONNECTOR



PCI-E MiniCard Connector
 SYNC_MASTER=(Master) SYNC_DATE=(Master)
NOTICE OF PROPRIETARY PROPERTY
 THE INFORMATION CONTAINED HEREIN IS THE PROPRIETARY PROPERTY OF APPLE COMPUTER, INC. THE POSSESSOR AGREES TO THE FOLLOWING
 I TO MAINTAIN THE DOCUMENT IN CONFIDENCE
 II NOT TO REPRODUCE OR COPY IT
 III NOT TO REVEAL OR PUBLISH IN WHOLE OR PART

| | | | |
|---------------------|------|----------------|------|
| APPLE COMPUTER INC. | SIZE | DRAWING NUMBER | REV. |
| | D | 051-6951 | 06 |
| SCALE | NONE | SHT OF | REV. |
| NONE | 54 | 86 | 06 |

Left I/O Board Connector

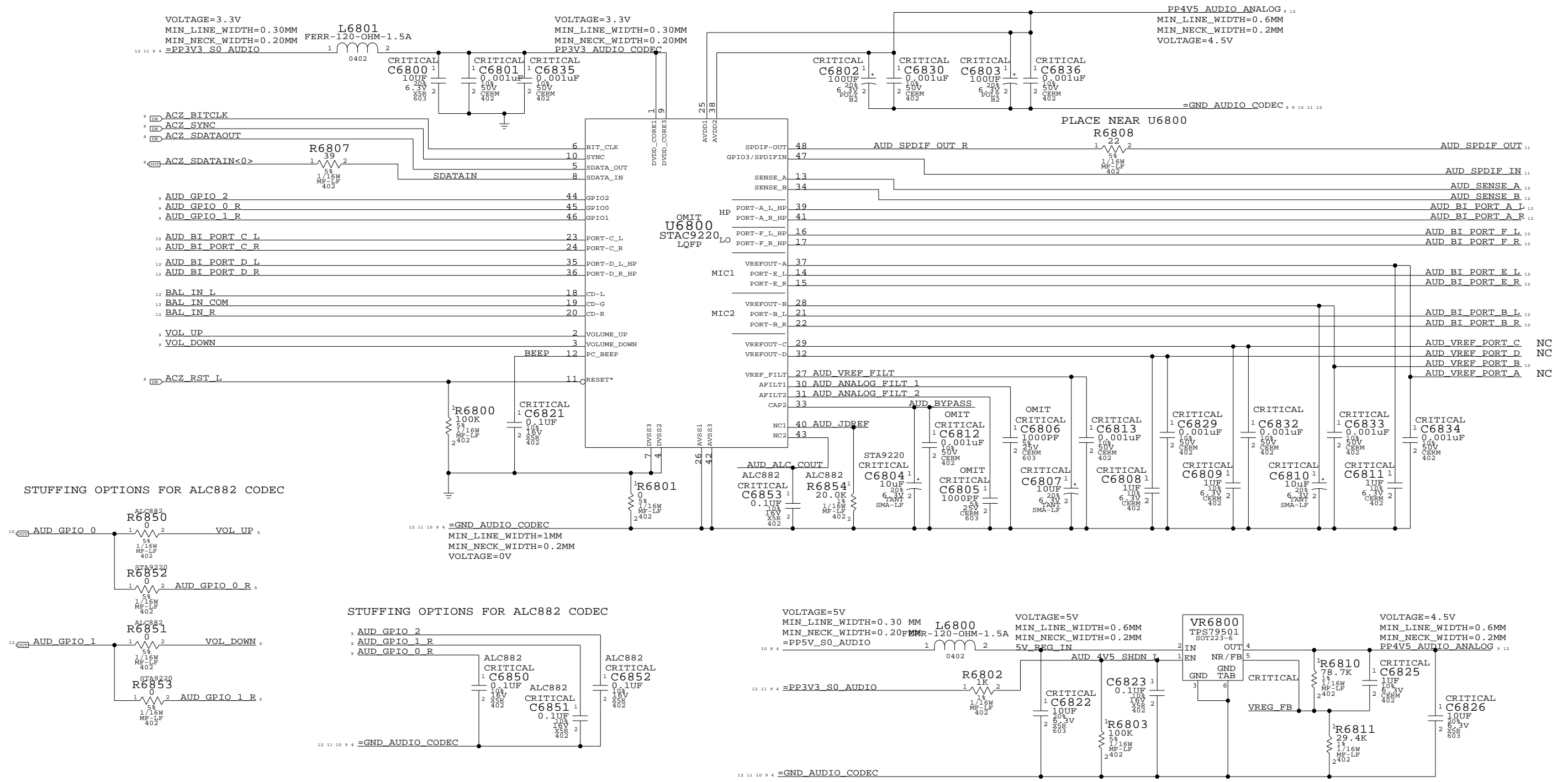


MLB I/O Board Connector
 SYNC_MASTER=(Master) SYNC_DATE=(Master)
NOTICE OF PROPRIETARY PROPERTY
 THE INFORMATION CONTAINED HEREIN IS THE PROPRIETARY PROPERTY OF APPLE COMPUTER, INC. THE POSSESSOR AGREES TO THE FOLLOWING
 I TO MAINTAIN THE DOCUMENT IN CONFIDENCE
 II NOT TO REPRODUCE OR COPY IT
 III NOT TO REVEAL OR PUBLISH IN WHOLE OR PART

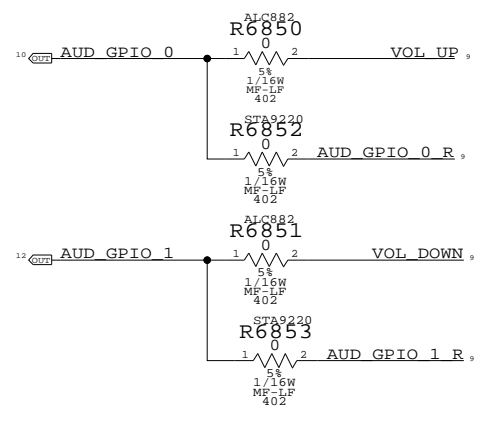
| | | | |
|---------------------|----------|----------------|------|
| APPLE COMPUTER INC. | SIZE | DRAWING NUMBER | REV. |
| | D | 051-6951 | 06 |
| SCALE | SHEET OF | | |
| NONE | 55 OF | | 86 |

AUDIO CODEC

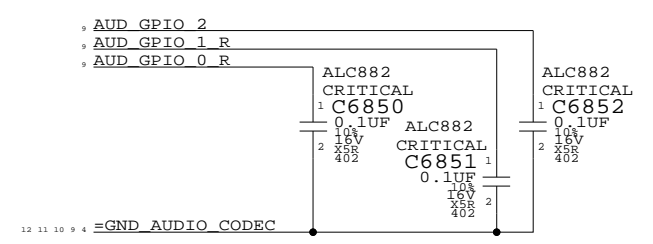
APPLE P/N 353S1345



STUFFING OPTIONS FOR ALC882 CODEC



STUFFING OPTIONS FOR ALC882 CODEC



APN: 353S1233
4.5V POWER SUPPLY FOR CODEC

| PART# | QTY | DESCRIPTION | REFERENCE DESIGNATOR(S) | CRITICAL | BOM OPTION |
|----------|-----|-------------------------------|-------------------------|----------|------------|
| 353S1345 | 1 | SIGMATEL STA9220 CODEC | U6800 | CRITICAL | LEMENU |
| 131S1034 | 1 | 1000PF NPO CAPACITOR | C6805 | CRITICAL | STA9220 |
| 131S1034 | 1 | 1000PF NPO CAPACITOR | C6806 | CRITICAL | STA9220 |
| 132S0045 | 1 | 0.001uF 50V 10% X7R Capacitor | C6812 | CRITICAL | STA9220 |
| 353S1268 | 1 | Realtek ALC882 CODEC | U6800 | CRITICAL | ALC882 |
| 138S0541 | 1 | 1uF 10V X7R Capacitor | C6805 | CRITICAL | ALC882 |
| 138S0541 | 1 | 1uF 10V X7R Capacitor | C6806 | CRITICAL | ALC882 |
| 116S0004 | 1 | 0 ohms 0402 Resistor | C6812 | CRITICAL | ALC882 |

AUDIO: CODEC

SYNC_MASTER=LENGO_M1_LIOSYNC_DATE=12/02/2005

NOTICE OF PROPRIETARY PROPERTY

THE INFORMATION CONTAINED HEREIN IS THE PROPRIETARY PROPERTY OF APPLE COMPUTER, INC. THE POSSESSOR AGREES TO THE FOLLOWING

I TO MAINTAIN THE DOCUMENT IN CONFIDENCE

II NOT TO REPRODUCE OR COPY IT

III NOT TO REVEAL OR PUBLISH IN WHOLE OR PART

| | | | |
|-------------------------|------|----------------|------|
| APPLE COMPUTER INC. | SIZE | DRAWING NUMBER | REV. |
| | D | 051-6951 | 06 |
| SCALE | SHT | OF | |
| NONE | 68 | | 86 |

8

7

6

5

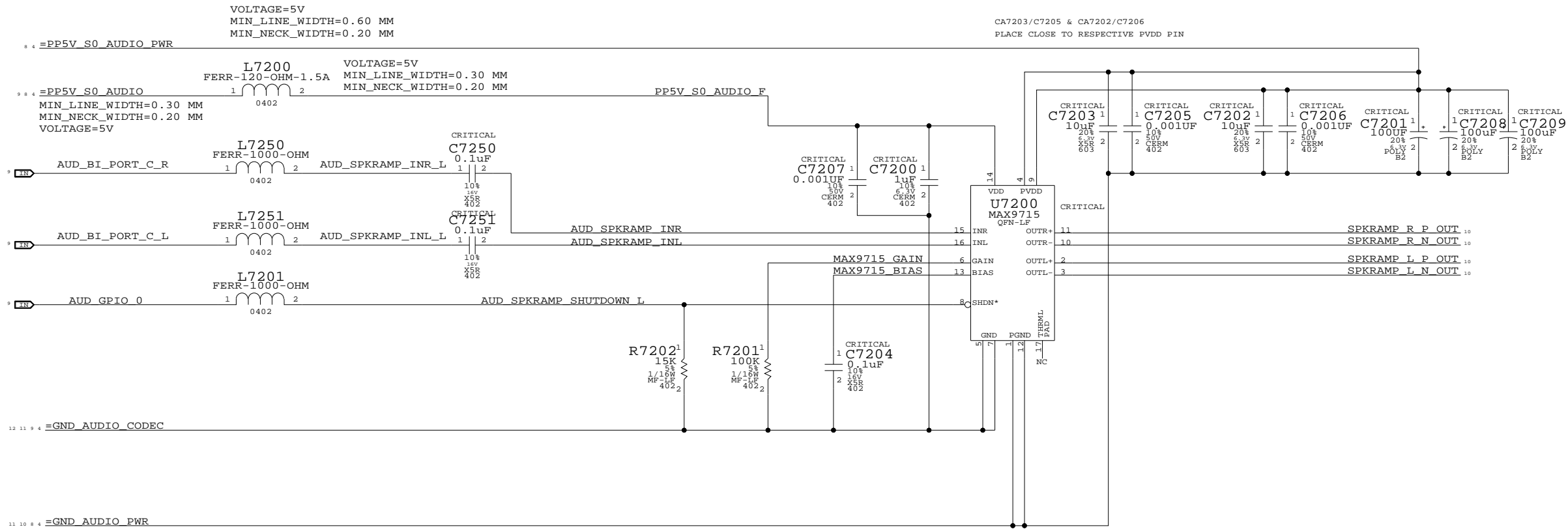
4

3

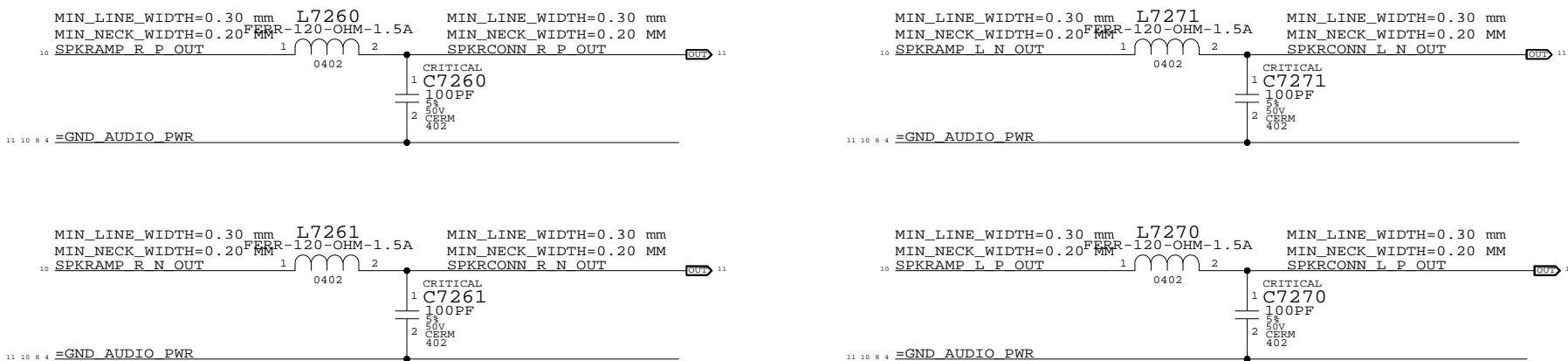
2

1

STEREO SPEAKER AMPLIFIERS (MAX9715)
 APN: 353S1283
 Gain = 10.5dB
 118 < FC < 245Hz



EMI FILTERS FOR AMPLIFIER OUTPUTS



AUDIO: SPEAKER AMP

SYNC_MASTER=LENGO_M1_LBYNC_DATE=12/02/2005

NOTICE OF PROPRIETARY PROPERTY

THE INFORMATION CONTAINED HEREIN IS THE PROPRIETARY PROPERTY OF APPLE COMPUTER, INC. THE POSSESSOR AGREES TO THE FOLLOWING
 I TO MAINTAIN THE DOCUMENT IN CONFIDENCE
 II NOT TO REPRODUCE OR COPY IT
 III NOT TO REVEAL OR PUBLISH IN WHOLE OR PART

| | | | |
|---------------------|------|----------------|----------|
| APPLE COMPUTER INC. | SIZE | DRAWING NUMBER | REV. |
| | D | 051-6951 | 06 |
| SCALE | NONE | SHT OF | 72 OF 86 |

8

7

6

5

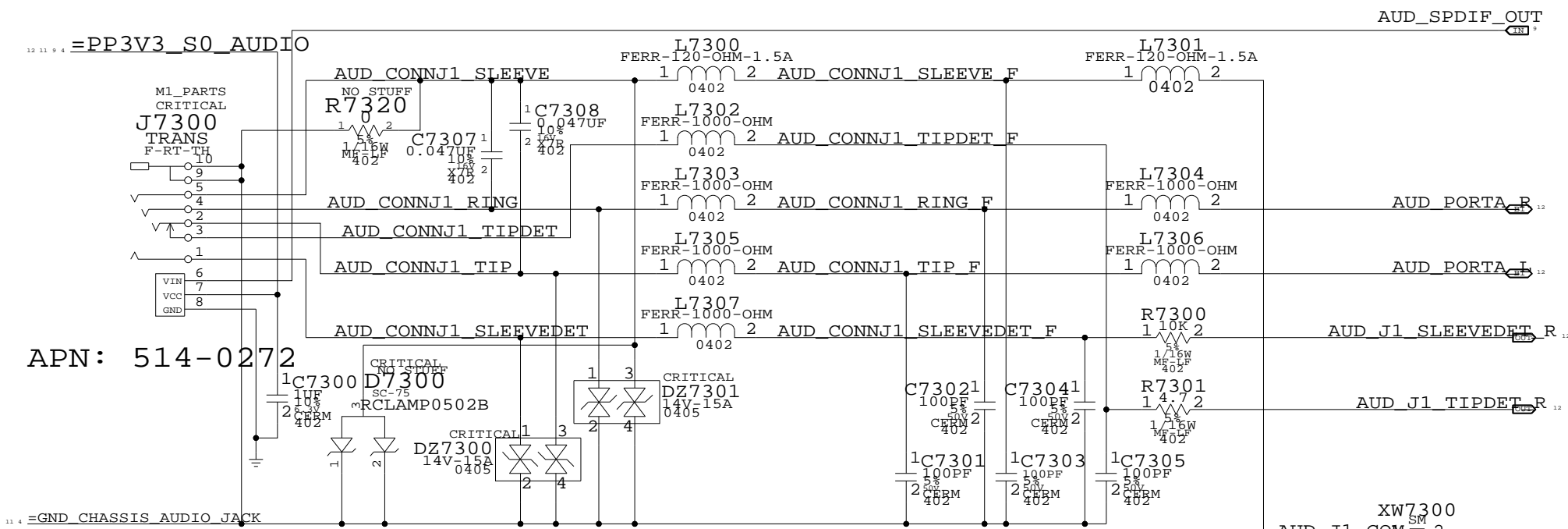
4

3

2

1

AUDIO JACK 1/DEFAULT LO/HP CONNECTOR, SPDIF TX

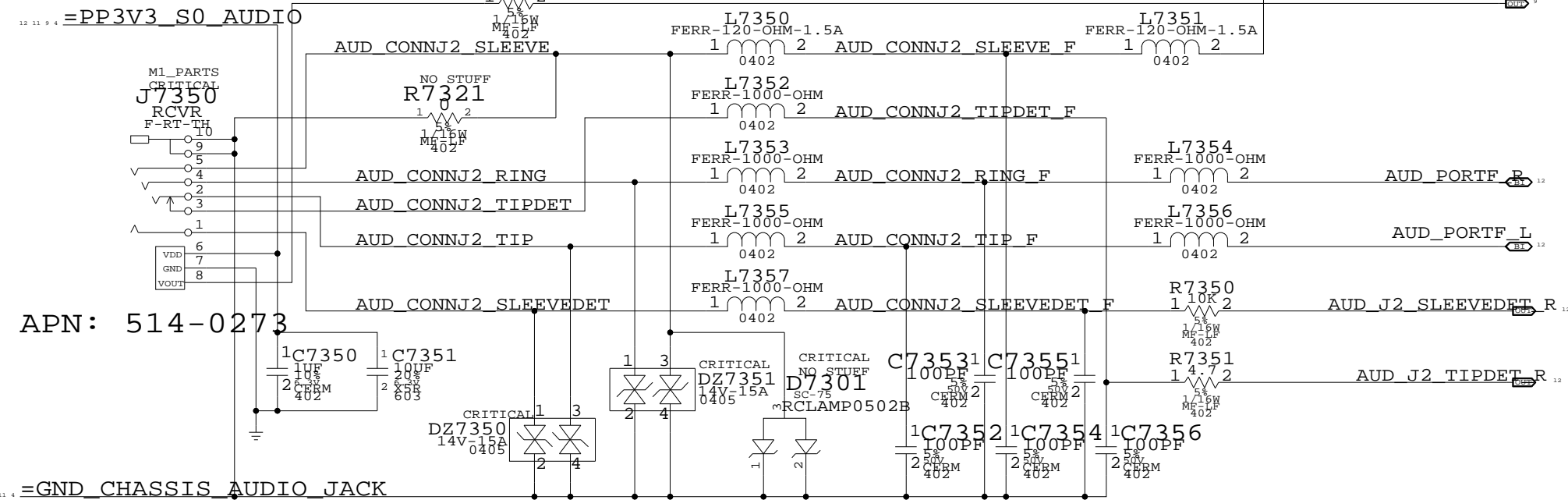
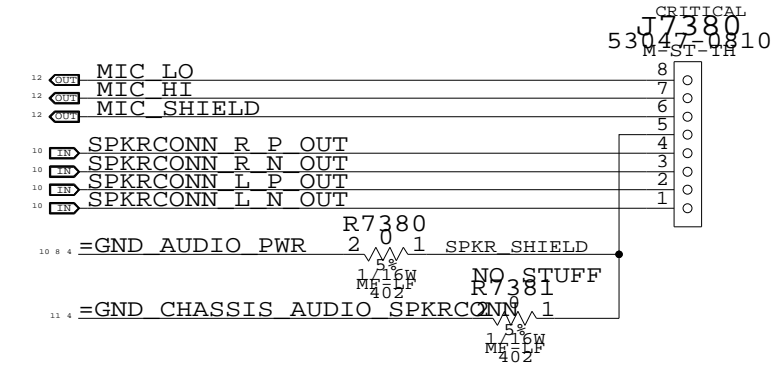


APN: 514-0272

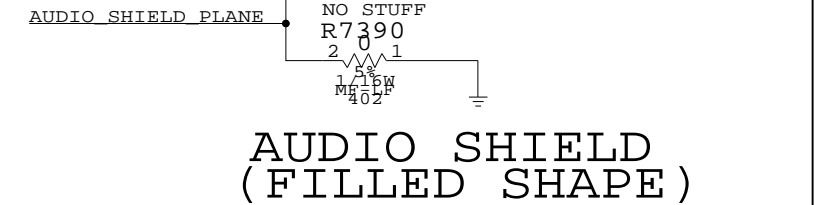
PLACE AT GROUND MOAT

=GND CHASSIS AUDIO JACK =GND AUDIO_CODEC

SPEAKER/MIC CONNECTOR
APN: 518-0216



APN: 514-0273



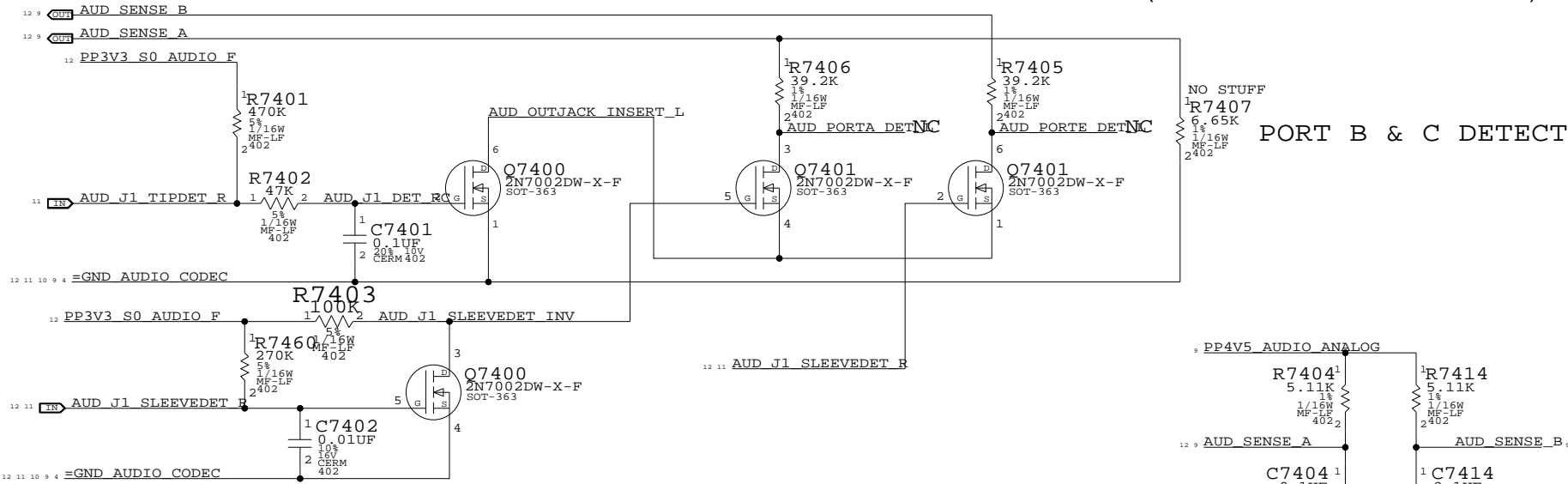
AUDIO SHIELD
(FILLED SHAPE)

AUDIO JACK 2/DEFAULT LINE IN CONNECTOR, SPDIF RX

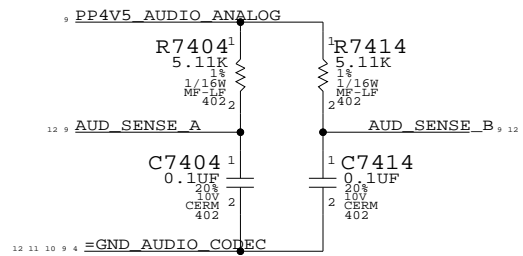
| AUDIO: JACKS | | |
|----------------------------------------------------------------------------------------------------------------------------|--|--|
| SYNC_MASTER=LENGO_M1_SYNC_DATE=12/02/2005 | | |
| NOTICE OF PROPRIETARY PROPERTY | | |
| THE INFORMATION CONTAINED HEREIN IS THE PROPRIETARY PROPERTY OF APPLE COMPUTER, INC. THE POSSESSOR AGREES TO THE FOLLOWING | | |
| I TO MAINTAIN THE DOCUMENT IN CONFIDENCE | | |
| II NOT TO REPRODUCE OR COPY IT | | |
| III NOT TO REVEAL OR PUBLISH IN WHOLE OR PART | | |

| | | | |
|---------------------|------|----------------|------|
| APPLE COMPUTER INC. | SIZE | DRAWING NUMBER | REV. |
| | D | 051-6951 | 06 |
| SCALE | SHT | OF | |
| NONE | 73 | | 86 |

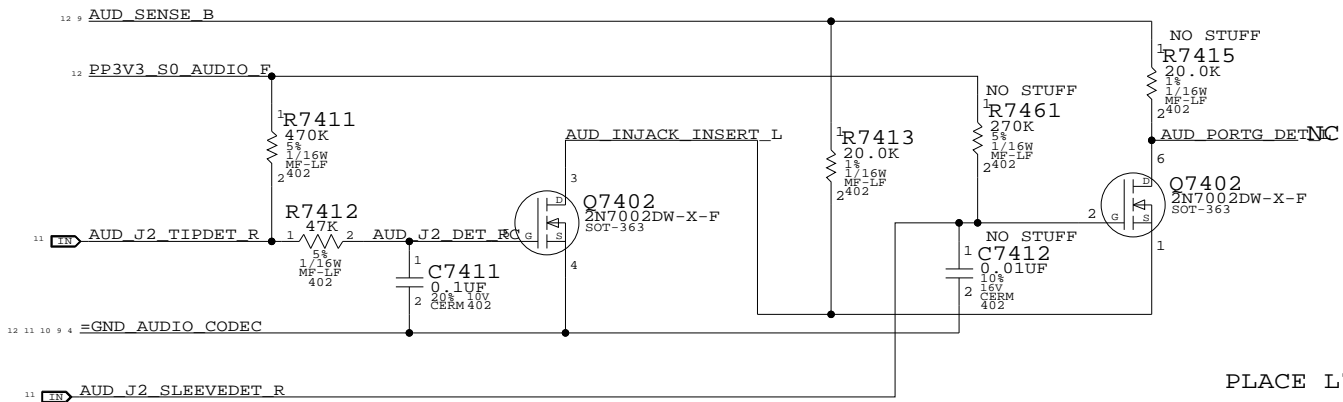
PORT A DETECT PORT E DETECT (E TELLS H TO TURN ON)



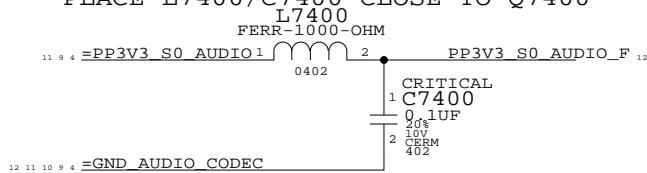
PORT B & C DETECT



PORT F DETECT PORT G DETECT



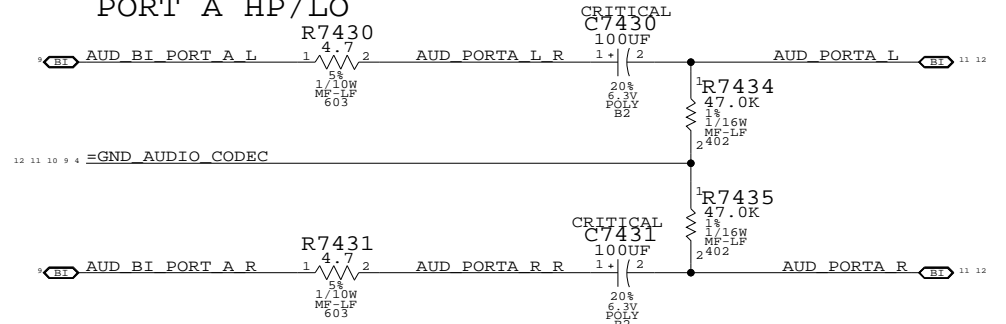
PLACE L7400/C7400 CLOSE TO Q7400



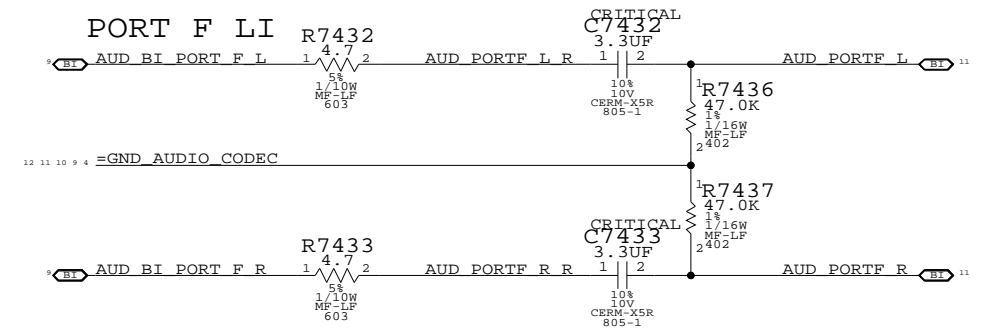
CODEC PORT ASSIGNMENTS

- PORT A : HEADPHONE/LINE OUT
- PORT B : MICROPHONE ON BOTH CH
- PORT C : SPEAKER AMP
- PORT D : UNUSED
- PORT E : SW USES TO TRIGGER DIGITAL OUT
- PORT F : LINE IN
- CD INPUT : UNUSED

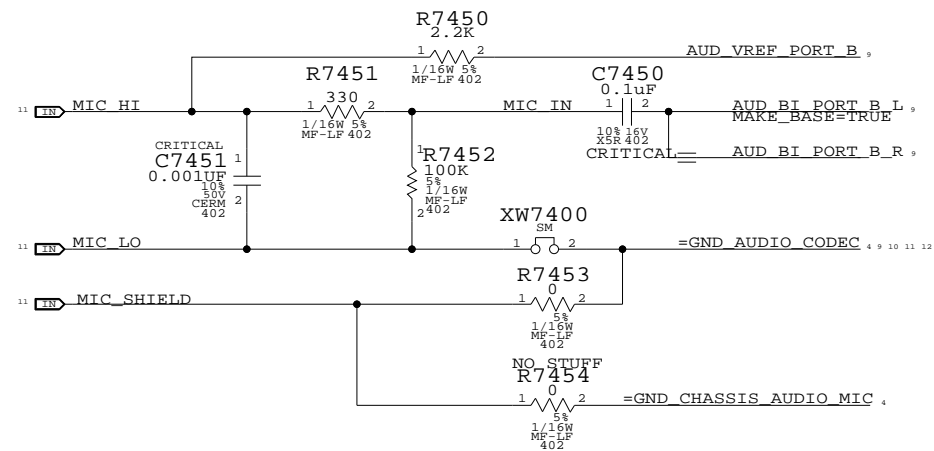
PORT A HP/LO



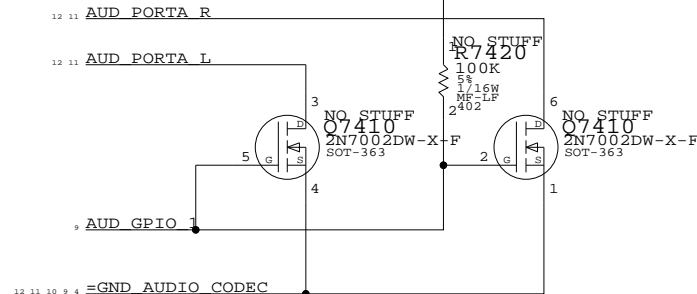
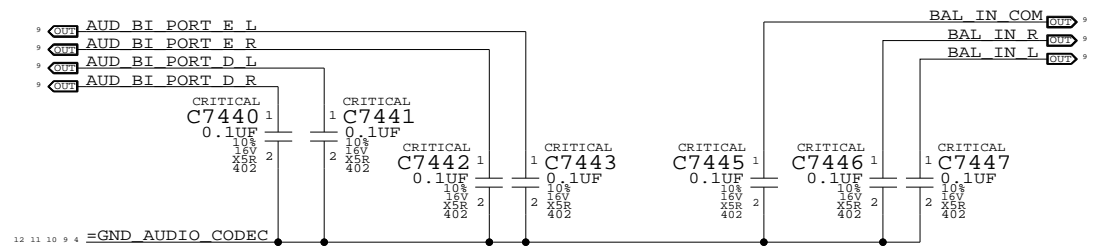
PORT F LI



MIC INPUT CIRCUITRY



UNUSED CODEC ANALOG PORT TERMINATIONS



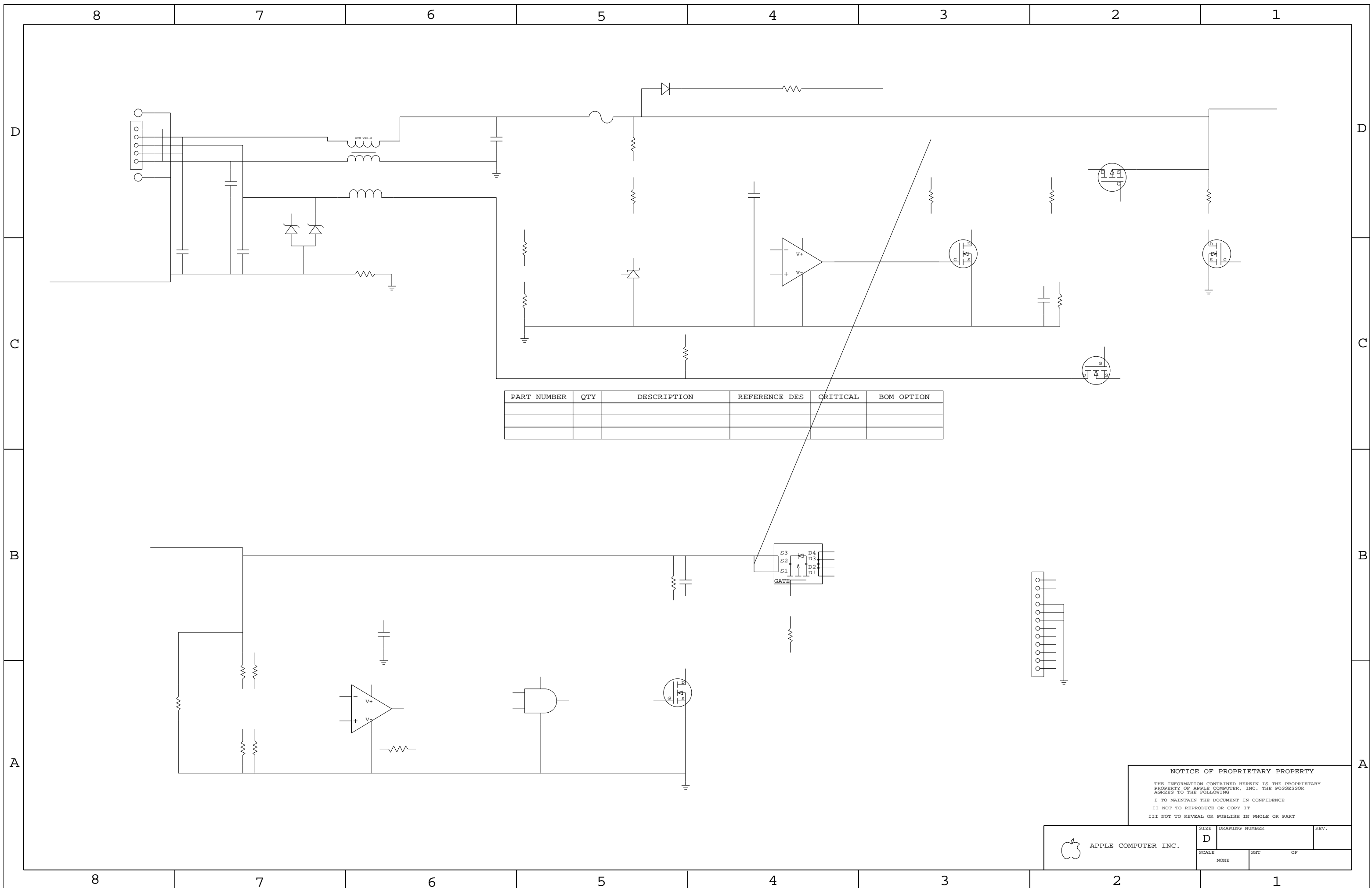
AUDIO: JACK TRANSLATORS

SYNC_MASTER=LENGO_M1_LIO SYNC_DATE=12/02/2005

NOTICE OF PROPRIETARY PROPERTY


THE INFORMATION CONTAINED HEREIN IS THE PROPRIETARY PROPERTY OF APPLE COMPUTER, INC. THE POSSESSOR AGREES TO THE FOLLOWING
 I TO MAINTAIN THE DOCUMENT IN CONFIDENCE
 II NOT TO REPRODUCE OR COPY IT
 III NOT TO REVEAL OR PUBLISH IN WHOLE OR PART

| | | | |
|---------------------|------|----------------|------|
| APPLE COMPUTER INC. | SIZE | DRAWING NUMBER | REV. |
| | D | 051-6951 | 06 |
| SCALE | SHT | OF | |
| NONE | 74 | | 86 |



| PART NUMBER | QTY | DESCRIPTION | REFERENCE DES | CRITICAL | BOM OPTION |
|-------------|-----|-------------|---------------|----------|------------|
| | | | | | |
| | | | | | |
| | | | | | |

NOTICE OF PROPRIETARY PROPERTY
 THE INFORMATION CONTAINED HEREIN IS THE PROPRIETARY PROPERTY OF APPLE COMPUTER, INC. THE POSSESSOR AGREES TO THE FOLLOWING
 I TO MAINTAIN THE DOCUMENT IN CONFIDENCE
 II NOT TO REPRODUCE OR COPY IT
 III NOT TO REVEAL OR PUBLISH IN WHOLE OR PART

| | | | |
|-----------------------------------------------------------------------------------------------------------|-------|----------------|------|
|  APPLE COMPUTER INC. | SIZE | DRAWING NUMBER | REV. |
| | SCALE | SHT | OF |
| NONE | | | |

8

7

6

5

4

3

2

1

D

D

C

C

B

B

A

A

8

7

6

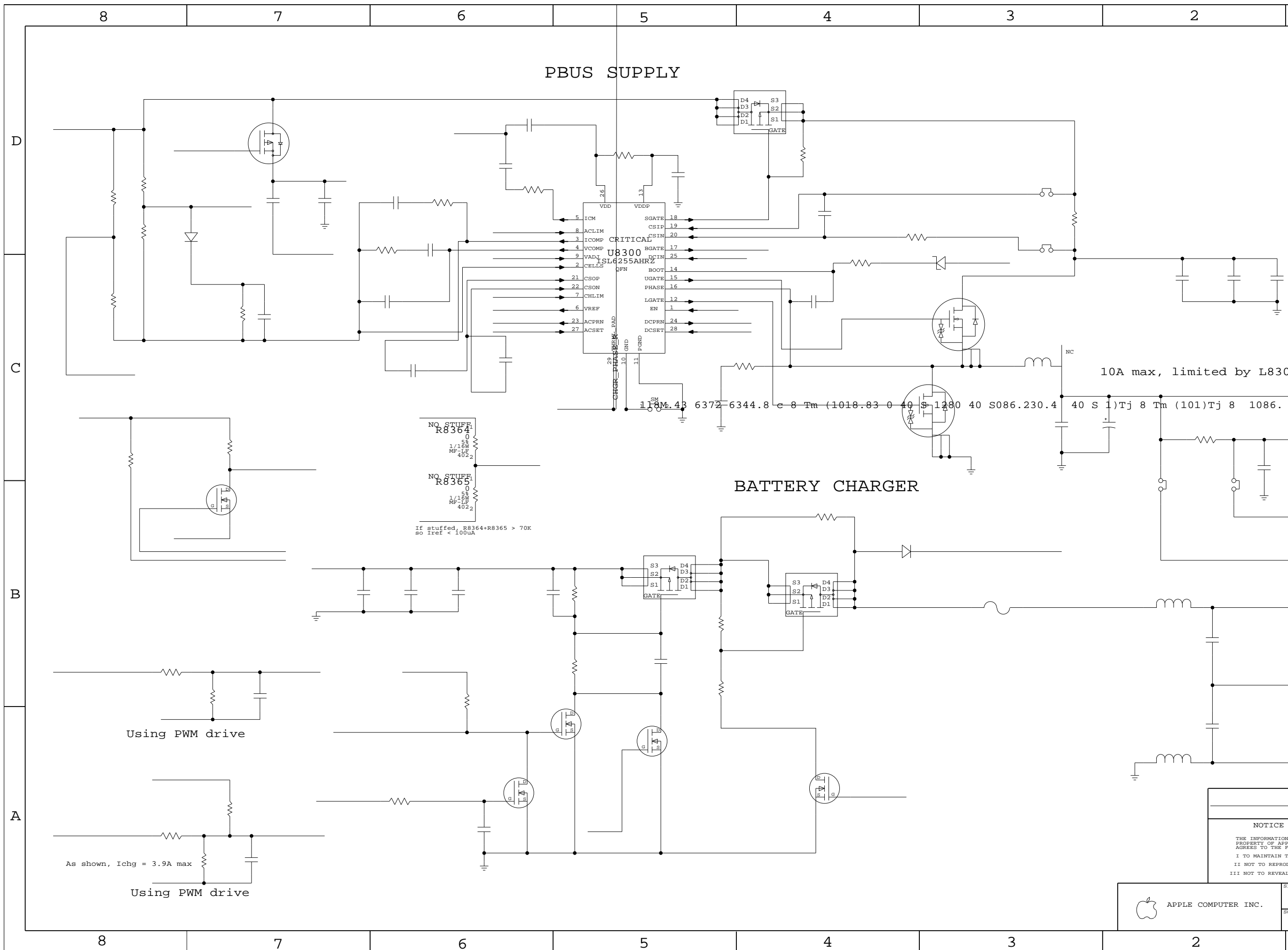
5

4

3

2

1



10A max, limited by L830

NO STUFF
R8364
5% 1/16W MF-10 402,2

NO STUFF
R8365
5% 1/16W MF-10 402,2

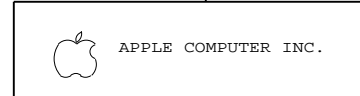
If stuffed, R8364+R8365 > 70K
so Iref < 100uA

Using PWM drive

As shown, Ichg = 3.9A max

Using PWM drive

NOTICE
THE INFORMATION
PROPERTY OF APP
AGREES TO THE P
I TO MAINTAIN T
II NOT TO REPRO
III NOT TO REVEAL



8

7

6

5

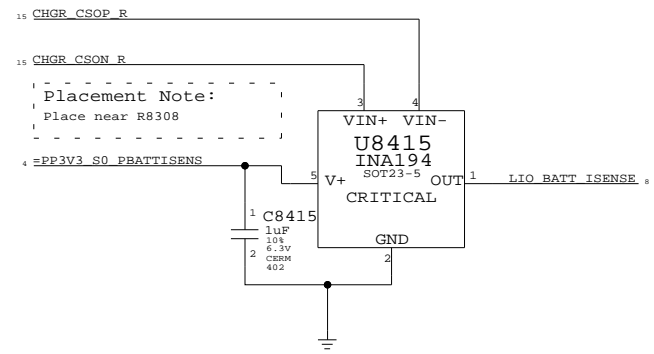
4

3

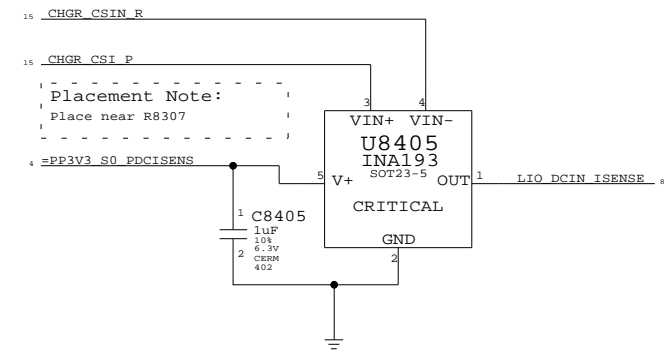
2

1

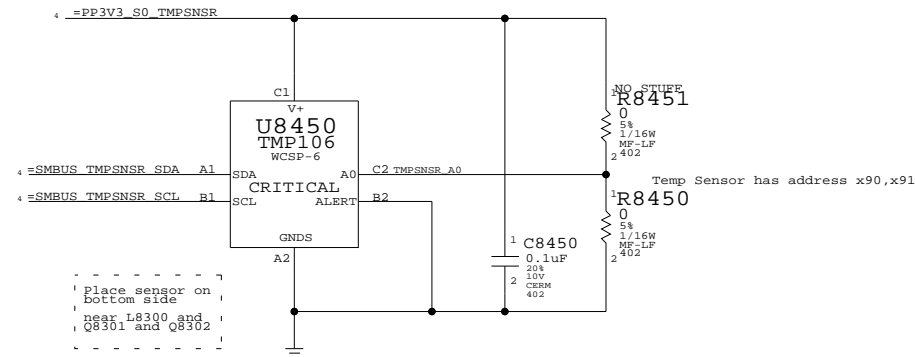
Battery Current Sense



DCIn Current Sense



TMP106 Thermal Sensor



Current & Thermal Sensors

SYNC_MASTER=(Master) SYNC_DATE=(Master)

NOTICE OF PROPRIETARY PROPERTY

THE INFORMATION CONTAINED HEREIN IS THE PROPRIETARY PROPERTY OF APPLE COMPUTER, INC. THE POSSESSOR AGREES TO THE FOLLOWING

I TO MAINTAIN THE DOCUMENT IN CONFIDENCE

II NOT TO REPRODUCE OR COPY IT

III NOT TO REVEAL OR PUBLISH IN WHOLE OR PART

| | | | |
|---------------------|------|----------------|----------|
| APPLE COMPUTER INC. | SIZE | DRAWING NUMBER | REV. |
| | D | 051-6951 | 06 |
| SCALE | NONE | SHT OF | 84 OF 86 |

8

7

6

5

4

3

2

1

| | 8 | 7 | 6 | 5 | 4 | 3 | 2 | 1 |
|---|-------------------------------------------------------------------------------------------------------------------------------------------------------------------------------------------------------------------------------------------------------------------------------------------------------------------------------------------------------------------------------------------------------------------------------------------------------------------------------------------------------------------------------------------------------------------------------------------------------------------------------------------------------------------------------------------------------------------------------------------------------------------------------------------------------------------------------------------------------------------------------------------------------------------------------------------------------------------------------------------------------------------------------------------------------------------------------------------------------------------------------------------------------------------------------------------------------------------------------------------------------------------------------------------------------------------------------------------------------------------------------------------------------------------------------------------------------------------------------------------------------------------------------------------------------------------------------------------------------------------------------------------------------------------------------------------------------------------------------------------------------------------------------------------------------------------------------------------------------------------------------------------------------------------------------------------------------------------------------------------------------------------------------------------------------------------------------------------------------------------------------------------------------------------------------------------------------------------------------------------------------------------------------------------------------------------------------------------------------------------------------------------------------------------------------------------------------------------------------------------------------------------------------------------------------------------------------------------------------------------------------------------------------------------------------------------------------------------------------------------------------------------------------------------------------------------------------------------------------------------------------------------------------------------------------------------------------------------------------------------------------------------------------------------------------------------------------------------------------------------------------------------------------------------------------------------------------------------------------------------------------------------------------------------------------------------------------------------------------------------------------------------------------------------------------------------|-----------------------------------------------------------------------------------------------------------------------------------------------------------------------------------------------------------------------------------------------------------------------------------------------------------------------------------------------------------------------------------------------------------------------------------------------------------------------------------------------------------------------------------------------------------------------------------------------------------------------------------------------------------------------------------------------------------------------------------------------------------------------------------------------------------------------------------------------------------------------------------------------------------------------------------------------------------------------------------------------------------------------------------------------------------------------------------------------------------------------------------------------------------------------------------------------------------------------------------------------------------------------------------------------------------------------------------------------------------------------------------------------------------------------------------------------------------------------------------------------------------------------------------------------------------------------------------------------------------------------------------------------------------------------------------------------------------------------------------------------------------------------------------------------------------------------------------------------------------------------------------------------------------------------------------------------------------------------------------------------------------------------------------------------------------------------------------------------------------------------------------------------------------------------------------------------------------------------------------------------------------------------------------------------------------------------------------------------------------------------------------------------------------------------------------------------------------------------------------------------------------------------------------------------------------------------------------------------------------------------------------------------------------------------------------------------------------------------------------------------------------------------------------------------------------------------------------------------------------------------------------------------------------------------------------------------------------------------------------------------------------------------------------------------------------------------------------------------------------------------------------------------------------------------------------------------------------------------------------------------------------------------------------------------------------------------------------------------------------------------------------------------------------------------------------------------------------------------------------------------------------------------------------------------------------------------------------------------------------------------------------------------------|------------------------------------------------------------------------------------------------------------------------------------------------------------------------------------------------------------------------------------------------------------------------------------------------------------------------------------------------------------------------------------------------------------------------------------------------------------------------------------------------------------------------------------------------------------------------------------------------------------------------------------------------------------------------------------------------------------------------------------------------------------------------------------------------------------------------------------------------------------------------------------------------------------------------------------------------------------------------------------------------------------------------------------------------------------------------------------------------------------------------------------------------------------------------------------------------------------------------------------------------------------------------------------------------------------------------------------------------------------------------------------------------------------------------------------------------------------------------------------------------------------------------------------------------------------------------------------------------------------------------------------------------------------------------------------------------------------------------------------------------------------------------------------------------------------------------------------------------------------------------------------------------------------------------------------------------------------------------------------------------------------------------------------------------------------------------------------------------------------------------------------------------------------------------------------------------------------------------------------------------------------------------------------------------------------------------------------------------------------------------------------------------------------------------------------------------------------------------------------------------------------------------------------------------------------------------------------------------------------------------------------------------------------------------------------------------------------------------------------------------------------------------------------------------------------------------------------------------------------------------------------------------------------------------------------------------------------------------------------------------------------------------------------------------------------------------------------------------------------------------------------------------------------------------------------------------------------------------------------------------------------------------------------------------------------------------------------------------------------------------------------------------------------------------------------------------------------------------------------------------------------------------------------------------------------------------------------------------------------------------------------------------------------------------------------------------------------------------------------------------------------------------------------------------------------------|--------------------------------------------------------------------------------------------------------------------------------------------------------------------------------------------------------------------------------------------------------------------------------------------------------------------------------------------------------------------------------------------------------------------------------------------------------------------------------------------------------------------------------------------------------------------------------------------------------------------------------------------------------------------------------------------------------------------------------------------------------------------------------------------------------------------------------------------------------------------------------------------------------------------------------------------------------------------------------------------------------------------------------------------------------------------------------------------------------------------------------------------------------------------------------------------------------------------------------------------------------------------------------------------------------------------------------------------------------------------------------------------------------------------------------------------------------------------------------------------------------------------------------------------------------------------------------------------------------------------------------------------------------------------------------------------------------------------------------------------------------------------------------------------------------------------------|---|---|---|---|
| | Title: Cref Part Report Design: buzz Date: Dec 2 9:16:54 2005 | | | | | | | |
| D | C5100 CAP_603 buzz[586] C5101 CAP_402 buzz[587] C5102 CAP_603 buzz[585] C5103 CAP_P_B2 buzz[585] C5150 CAP_402 buzz[583] C5151 CAP_402 buzz[583] C5190 CAP_402 buzz[585] C5300 CAP_402 buzz[604] C5301 CAP_402 buzz[604] C5302 CAP_402 buzz[604] C5303 CAP_603 buzz[604] C5304 CAP_603 buzz[604] C5305 CAP_603 buzz[604] C5330 CAP_402 buzz[608] C5331 CAP_603 buzz[607] C5334 CAP_402 buzz[608] C5335 CAP_603 buzz[607] C5350 CAP_402 buzz[6A7] C5351 CAP_402 buzz[6A5] C5360 CAP_402 buzz[6A3] C5400 CAP_402 buzz[7C3] C5401 CAP_603 buzz[7C3] C5410 CAP_402 buzz[7C3] C5411 CAP_603 buzz[7C3] C5420 CAP_402 buzz[7C3] C5421 CAP_603 buzz[7C3] C6800 CAP_603 buzz[9D6] C6801 CAP_402 buzz[9D6] C6802 CAP_P_B2 buzz[9D4] C6803 CAP_P_B2 buzz[9D3] C6804 CAP_P_SMA-LF buzz[9B4] C6805 CAP_603 buzz[9B4] C6806 CAP_603 buzz[9B3] C6807 CAP_P_SMA-LF buzz[9B3] C6808 CAP_402 buzz[9B3] C6809 CAP_402 buzz[9B2] C6810 CAP_P_SMA-LF buzz[9B2] C6811 CAP_402 buzz[9B2] C6812 CAP_402 buzz[9B4] C6813 CAP_402 buzz[9B3] C6821 CAP_402 buzz[9C6] C6822 CAP_603 buzz[9A3] C6823 CAP_402 buzz[9B3] C6825 CAP_402 buzz[9B2] C6826 CAP_603 buzz[9A1] C6829 CAP_402 buzz[9B3] C6830 CAP_402 buzz[9D4] C6832 CAP_402 buzz[9B2] C6833 CAP_402 buzz[9B2] C6834 CAP_402 buzz[9B2] C6835 CAP_402 buzz[9D6] C6836 CAP_402 buzz[9D3] C6850 CAP_402 buzz[9B6] C6851 CAP_402 buzz[9A5] C6852 CAP_402 buzz[9B5] C6853 CAP_402 buzz[9B4] C7200 CAP_402 buzz[10C4] C7201 CAP_P_B2 buzz[10D2] C7202 CAP_603 buzz[10D2] C7203 CAP_603 buzz[10D3] C7204 CAP_402 buzz[10C4] C7205 CAP_402 buzz[10D3] C7206 CAP_402 buzz[10D2] C7207 CAP_402 buzz[10C4] C7208 CAP_P_B2 buzz[10D2] C7209 CAP_P_B2 buzz[10D1] C7250 CAP_402 buzz[10C6] C7251 CAP_402 buzz[10C6] C7260 CAP_402 buzz[10B6] C7261 CAP_402 buzz[10A6] C7270 CAP_402 buzz[10A3] C7271 CAP_402 buzz[10B3] C7300 CAP_402 buzz[11C7] C7301 CAP_402 buzz[11C5] C7302 CAP_402 buzz[11C5] C7303 CAP_402 buzz[11C5] C7304 CAP_402 buzz[11C5] C7305 CAP_402 buzz[11C5] C7307 CAP_402 buzz[11D7] C7308 CAP_402 buzz[11D6] C7350 CAP_402 buzz[11A7] C7351 CAP_603 buzz[11A7] C7352 CAP_402 buzz[11A5] C7353 CAP_402 buzz[11A5] C7354 CAP_402 buzz[11A5] C7355 CAP_402 buzz[11A5] C7356 CAP_402 buzz[11A5] C7400 CAP_402 buzz[12B4] C7401 CAP_402 buzz[12D7] C7402 CAP_402 buzz[12C7] C7404 CAP_402 buzz[12C4] C7411 CAP_402 buzz[12B7] C7412 CAP_402 buzz[12B6] C7414 CAP_402 buzz[12C4] C7430 CAP_P_B2 buzz[12D2] C7431 CAP_P_B2 buzz[12C2] C7432 CAP_805-1 buzz[12C2] C7433 CAP_805-1 buzz[12B2] C7440 CAP_402 buzz[12B3] C7441 CAP_402 buzz[12B3] C7442 CAP_402 buzz[12A2] C7443 CAP_402 buzz[12A2] C7445 CAP_402 buzz[12A2] C7446 CAP_402 buzz[12A1] C7447 CAP_402 buzz[12A1] C7450 CAP_402 buzz[12A6] C7451 CAP_402 buzz[12A7] C7800 CAP_603 buzz[13C6] C7801 CAP_603 buzz[13C6] C7802 CAP_603 buzz[13C6] C7806 CAP_402 buzz[13B8] C7807 CAP_402 buzz[13B6] C7808 CAP_402 buzz[13B7] C7809 CAP_402 buzz[13C4] C7822 CAP_402 buzz[13B4] C7830 CAP_1210 buzz[13C3] C7840 CAP_805 buzz[13B2] C7841 CAP_P_SMC-LF buzz[13B2] C7842 CAP_805 buzz[13B2] | C7843 CAP_402 buzz[13B2] C7890 CAP_402 buzz[13C1] C8200 CAP_805 buzz[14C7] C8201 CAP_805 buzz[14D7] C8203 CAP_402 buzz[14C7] C8204 CAP_603 buzz[14D6] C8205 CAP_603 buzz[14D4] C8206 CAP_402 buzz[14C2] C8210 CAP_402 buzz[14B6] C8250 CAP_805 buzz[14B4] C8300 CAP_402 buzz[15D6] C8301 CAP_402 buzz[15C6] C8302 CAP_402 buzz[15C6] C8303 CAP_603 buzz[15C4] C8304 CAP_402 buzz[15D4] C8305 CAP_1206 buzz[15C2] C8306 CAP_1206 buzz[15C2] C8307 CAP_603 buzz[15D7] C8308 CAP_1210 buzz[15C3] C8309 CAP_P_6_3x5.5SM1 buzz[15C2] C8310 CAP_1210 buzz[15B2] C8311 CAP_402 buzz[15D6] C8312 CAP_402 buzz[15D5] C8314 CAP_402 buzz[15C6] C8315 CAP_402 buzz[15C6] C8316 CAP_1206 buzz[15C2] C8319 CAP_402 buzz[15D6] C8320 CAP_402 buzz[15B7] C8321 CAP_402 buzz[15B6] C8322 CAP_402 buzz[15B6] C8323 CAP_402 buzz[15A6] C8324 CAP_402 buzz[15B5] C8325 CAP_402 buzz[15B5] C8327 CAP_402 buzz[15B2] C8330 CAP_402 buzz[15A2] C8340 CAP_603 buzz[15D7] C8341 CAP_402 buzz[15C7] C8361 CAP_402 buzz[15A7] C8362 CAP_402 buzz[15A7] C8370 CAP_603 buzz[15C5] C8405 CAP_402 buzz[16C3] C8415 CAP_402 buzz[16C7] C8450 CAP_402 buzz[16B4] D5100 DIODE_SCHOT_3P_A_SC- buzz[5B3] 75 D7300 DIODE_SCHOT_3P_A_SC- buzz[11C7] 75 D7301 DIODE_SCHOT_3P_A_SC- buzz[11A6] 75 D7800 DIO_MBRM140T3_SM_SMD buzz[13B3] D8200 DIODE_SCHOT_3P_A_SC- buzz[14C7] 75 D8201 DIODE_SOT23 buzz[14D5] D8300 DIODE_SCHOT_SOD-123 buzz[15C3] D8321 DIODE_SOT23 buzz[15B4] D8340 DIODE_SOT23 buzz[15C7] D27300 SUPPR_TRANSIENT_4P1_ buzz[11C6] 0405 D27301 SUPPR_TRANSIENT_4P1_ buzz[11C6] 0405 D27350 SUPPR_TRANSIENT_4P1_ buzz[11A6] 0405 D27351 SUPPR_TRANSIENT_4P1_ buzz[11A6] 0405 F8200 FUSE_1206 buzz[14D5] F8202 FUSE_1206 buzz[15B3] FL5500 FILTER_4P_TCM1005 buzz[8C3] FL5501 FILTER_4P_TCM1005 buzz[8B3] J5100 CON_F4RT_USA_S2MT_TH buzz[5C2] _F-RT-TH-USB-LFT J5300 CON_F26RT_S2MT_SM_F- buzz[6D2] RT-SM J5400 CON_F52RT_D2MT_SM_F- buzz[7C5] ST-SM J5500 CON_F80ST_D4MT_SM_F- buzz[8C4] ST-SM J7300 CON_F8RT_SPDIFFRAN_T buzz[11D8] H2_F-RT-TH J7350 CON_F8RT_SPDIFRCVCR_T buzz[11B8] H2_F-RT-TH J7380 CON_M8ST_S_TH_M-ST-T buzz[11C1] H J8200 CON_F5RT_S2MT_TH3_F- buzz[14D8] RT-TH J8215 CON_M12ST_S_SM_M-ST- buzz[14B2] SM L5100 FILTER_4P_SM buzz[5C4] L5101 IND_SM buzz[5C4] L5150 IND_SM buzz[5B4] L6800 IND_0402 buzz[9B4] L6801 IND_0402 buzz[9D6] L7200 IND_0402 buzz[10D6] L7201 IND_0402 buzz[10C6] L7250 IND_0402 buzz[10C6] L7251 IND_0402 buzz[10C6] L7260 IND_0402 buzz[10B6] L7261 IND_0402 buzz[10A6] L7270 IND_0402 buzz[10A4] L7271 IND_0402 buzz[10B4] L7300 IND_0402 buzz[11D6] L7301 IND_0402 buzz[11D4] L7302 IND_0402 buzz[11D6] L7303 IND_0402 buzz[11C6] L7304 IND_0402 buzz[11C4] L7305 IND_0402 buzz[11C6] L7306 IND_0402 buzz[11C4] L7307 IND_0402 buzz[11C6] L7350 IND_0402 buzz[11B6] L7351 IND_0402 buzz[11B4] L7352 IND_0402 buzz[11B6] L7353 IND_0402 buzz[11B6] L7354 IND_0402 buzz[11B4] L7355 IND_0402 buzz[11B6] L7356 IND_0402 buzz[11B4] L7357 IND_0402 buzz[11A6] L7400 IND_0402 buzz[12B4] L7800 IND_IHLP buzz[13B3] L8200 FILTER_4P_SM buzz[14D6] L8201 IND_SM-1 buzz[14D6] L8300 IND_3P_SM buzz[15C3] L8320 IND_SM-LF buzz[15B2] L8321 IND_SM-LF buzz[15A2] Q5360 TRA_2N7002_SOT23-LF buzz[6B3] Q7400 TRA_2N7002D_W_SOT-363 buzz[12C7 12D7] | Q7401 TRA_2N7002D_W_SOT-363 buzz[12D5 12D6] Q7402 TRA_2N7002D_W_SOT-363 buzz[12B7 12C5] Q7410 TRA_2N7002D_W_SOT-363 buzz[12A4 12A5] Q7800 TRA_FDC796N_SUPERSOT buzz[13C4] -6 Q7801 TRA_FDC796N_SUPERSOT buzz[13B4] -6 Q7890 TRA_FDC588P_SM-LF buzz[13C2] Q8200 TRA_2N7002D_W_SOT-363 buzz[14C2 14C3] Q8209 TRA_TP0610_SOT23-3 buzz[14D2] Q8210 TRA_2N7002D_W_SOT-363 buzz[14C1 14A5] Q8250 TRA_SI4405DY_SO-8 buzz[14B4] Q8300 TRA_SI4405DY_SO-8 buzz[15D4] Q8301 TRA_HAT2168H_LFPAK buzz[15C3] Q8302 TRA_HAT2165H_LFPAK buzz[15C3] Q8320 TRA_SI4405DY_SO-8 buzz[15B5] Q8321 TRA_SI4405DY_SO-8 buzz[15B4] Q8322 TRA_2N7002D_W_SOT-363 buzz[15A5 15A6] Q8324 TRA_2N7002D_W_SOT-363 buzz[15A4 15A5] Q8340 TRA_IHLM5203_SM buzz[15D7] Q8350 TRA_2N7002_SOT23-LF buzz[15B7] R0600 RES_402 buzz[4A5] R0601 RES_402 buzz[4A5] R5190 RES_402 buzz[5C5] R5300 RES_402 buzz[6C6] R5301 RES_402 buzz[6C6] R5352 RES_402 buzz[6A6] R5353 RES_402 buzz[6B5] R5354 RES_402 buzz[6B5] R5360 RES_402 buzz[6B3] R5361 RES_402 buzz[6B3] R6800 RES_402 buzz[9C6] R6801 RES_402 buzz[9B5] R6802 RES_402 buzz[9B4] R6803 RES_402 buzz[9A3] R6807 RES_402 buzz[9D7] R6808 RES_402 buzz[9D3] R6810 RES_402 buzz[9B2] R6811 RES_402 buzz[9A2] R6850 RES_402 buzz[9B7] R6851 RES_402 buzz[9B7] R6852 RES_402 buzz[9B7] R6853 RES_402 buzz[9A7] R6854 RES_402 buzz[9B4] R7201 RES_402 buzz[10C4] R7202 RES_402 buzz[10C5] R7300 RES_402 buzz[11C4] R7301 RES_402 buzz[11C4] R7320 RES_402 buzz[11D7] R7321 RES_402 buzz[11B7] R7349 RES_402 buzz[11B7] R7350 RES_402 buzz[11A4] R7351 RES_402 buzz[11A4] R7380 RES_402 buzz[11C2] R7381 RES_402 buzz[11C1] R7390 RES_402 buzz[11B2] R7391 RES_402 buzz[11B6] R7401 RES_402 buzz[12D8] R7402 RES_402 buzz[12D7] R7403 RES_402 buzz[12C7] R7404 RES_402 buzz[12C4] R7405 RES_402 buzz[12D5] R7406 RES_402 buzz[12D6] R7407 RES_402 buzz[12D5] R7411 RES_402 buzz[12C8] R7412 RES_402 buzz[12B7] R7413 RES_402 buzz[12C6] R7414 RES_402 buzz[12C4] R7415 RES_402 buzz[12C5] R7420 RES_402 buzz[12A4] R7430 RES_603 buzz[12D3] R7431 RES_603 buzz[12C3] R7432 RES_603 buzz[12C3] R7433 RES_603 buzz[12B3] R7434 RES_402 buzz[12C2] R7435 RES_402 buzz[12C2] R7436 RES_402 buzz[12C2] R7437 RES_402 buzz[12B2] R7450 RES_402 buzz[12B7] R7451 RES_402 buzz[12A7] R7452 RES_402 buzz[12A7] R7453 RES_402 buzz[12A6] R7454 RES_402 buzz[12A6] R7460 RES_402 buzz[12C7] R7461 RES_402 buzz[12C6] R7800 RES_402 buzz[13B2] R7802 RES_402 buzz[13C6] R7804 RES_402 buzz[13C7] R7805 RES_402 buzz[13B7] R7806 RES_402 buzz[13B8] R7808 RES_402 buzz[13B7] R7810 RES_402 buzz[13B4] R7821 RES_402 buzz[13B3] R7822 RES_402 buzz[13B3] R7823 RES_402 buzz[13C5] R7830 RES_402 buzz[13C6] R7890 RES_402 buzz[13C2] R8200 RES_402 buzz[14C2] R8201 RES_402 buzz[14D2] R8202 RES_402 buzz[14D5] R8203 RES_402 buzz[14C5] R8204 RES_402 buzz[14C6] R8205 RES_402 buzz[14D3] R8207 RES_805 buzz[14D4] R8208 RES_402 buzz[14D5] R8209 RES_402 buzz[14D1] R8210 RES_402 buzz[14A7] R8212 RES_402 buzz[14A7] R8213 RES_402 buzz[14A7] R8214 RES_402 buzz[14A7] R8215 RES_402 buzz[14A7] R8216 RES_402 buzz[14A6] R8221 RES_402 buzz[14B5] R8250 RES_402 buzz[14B4] R8290 RES_402 buzz[14C5] R8291 RES_402 buzz[14C4] R8300 RES_402 buzz[15D5] R8301 RES_402 buzz[15C6] R8302 RES_402 buzz[15D6] R8303 RES_402 buzz[15C4] R8304 RES_402 buzz[15B1] R8305 RES_402 buzz[15C4] R8306 RES_402 buzz[15B1] R8307 RES_0612 buzz[15D3] | R8308 RES_0612 buzz[15C2] R8310 RES_402 buzz[15D4] R8311 RES_402 buzz[15D6] R8320 RES_2525 buzz[15B4] R8322 RES_402 buzz[15B5] R8323 RES_402 buzz[15A5] R8324 RES_402 buzz[15A6] R8330 RES_402 buzz[15B5] R8331 RES_402 buzz[15B5] R8340 RES_402 buzz[15D8] R8341 RES_402 buzz[15D8] R8342 RES_402 buzz[15D8] R8343 RES_402 buzz[15C8] R8344 RES_402 buzz[15C7] R8350 RES_402 buzz[15C7] R8352 RES_402 buzz[15B8] R8360 RES_402 buzz[15B8] R8362 RES_402 buzz[15A8] R8363 RES_402 buzz[15A7] R8364 RES_402 buzz[15C6] R8365 RES_402 buzz[15B6] R8366 RES_402 buzz[15A7] R8367 RES_402 buzz[15A7] R8370 RES_603 buzz[15C4] R8450 RES_402 buzz[16B4] R8451 RES_402 buzz[16B4] U5100 SWI_TP2051BDGM_MSOP buzz[5C6] U5300 PWR_CNTRL_TP2231_QF buzz[6C5] N U5351 MC74VHC1G00_SCT0-5 buzz[6A6] U5352 MC74VHC1G08_SCT0 buzz[6A5] U5360 MC74VHC1G00_SCT0-5 buzz[6B2] U6800 AUDIO_STAC9220_LQFP buzz[9D5] U7200 MAX9715_QFN-LF buzz[10C4] U7800 ISL6269_QFN buzz[13C6] U8200 COMPARTOR_LMC7211_S buzz[14A6] M-LF U8250 MC74VHC1G08_SCT0 buzz[14A5] U8290 COMPARTOR_LM397_SOT buzz[14C4] 23-5 U8300 ISL6255_QFN buzz[15D5] U8405 INA193_SOT23-5 buzz[16C3] U8415 INA194_SOT23-5 buzz[16C6] U8450 TMP106_WCSP-6 buzz[16B5] VR6800 LREG_TPS79501_SOT223 buzz[9B3] -6 VR8290 SHNTRG_LM431_SOT23- buzz[14C5] 3-LF XW7300 SHORT_SM buzz[11C4] XW7301 SHORT_SM buzz[11B4] XW7310 SHORT_SM buzz[11B2] XW7311 SHORT_SM buzz[11B2] XW7312 SHORT_SM buzz[11B2] XW7400 SHORT_SM buzz[12A6] XW7800 SHORT_SM buzz[13B6] XW8300 SHORT_SM buzz[15C5] XW8301 SHORT_SM buzz[15D3] XW8302 SHORT_SM buzz[15C3] XW8303 SHORT_SM buzz[15B2] XW8304 SHORT_SM buzz[15B2] | D | | | |
| C | | | | | | | | |
| B | | | | | | | | |
| A | | | | | | | | |