

8

7

6

5

4

3

2

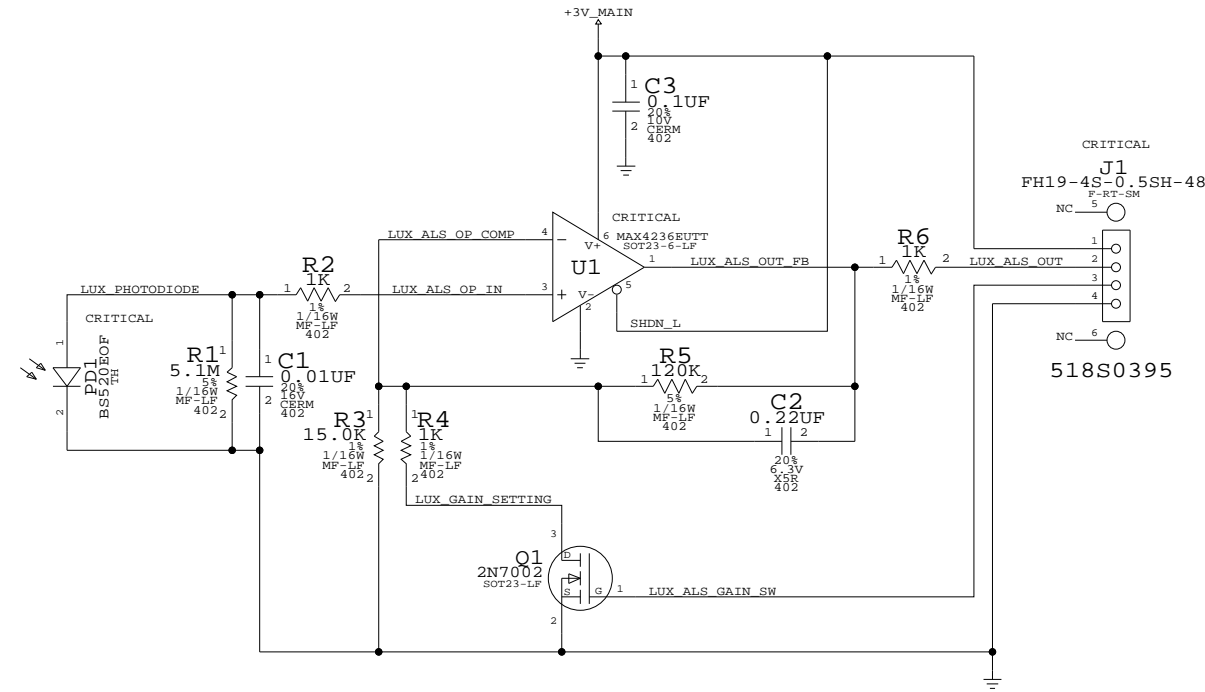
1

- 1. ALL RESISTANCE VALUES ARE IN OHMS, 0.1 WATT +/- 5%.
- 2. ALL CAPACITANCE VALUES ARE IN MICROFARADS.
- 3. ALL CRYSTALS & OSCILLATOR VALUES ARE IN HERTZ.

REV	ZONE	ECN	DESCRIPTION OF CHANGE	CK APPD DATE	ENG APPD DATE
03		412754	ENGINEERING RELEASED	12/02/05	

SCHEM, SIDEBURN, M1

DVT BUILD - 12/02/05



REVISION HISTORY

- 08/24/2005 - REV 00
INITIAL RELEASE
- 08/27/2005 - REV 01
1. CHANGE ZH1,2,3 AND ZH4 TO APN#518S0321 FOR FFC
2. VERSION CHANGE FROM 00 TO 01
3. THE LOCATION OF 4PIN CONNECTOR IS REVISED TO J1
- 10/19/2005 - REV 02
EVT RELEASE
- 11/28/2005 - REV 03
4. CHANGE J1 FROM 518S0113 TO 518S0321 (ROHS-COMPLIANT)
5. CHANGE J1 FROM 518S0321 TO 518S0395
6. DOCUMENTED THICK & THIN PCB OPTIONS
DVT RELEASE

D

D

C

C

B

B

A

A

PART NUMBER	QTY	DESCRIPTION	REFERENCE DES	CRITICAL	BOM OPTION
051-6990	1	SCHEM, SIDEBURN, M1	SCH1	CRITICAL	
820-1932	1	PCBF, SIDEBURN, M1	PCB1	CRITICAL	PCB_THICK
920-0344	1	PCBF, SIDEBURN THIN, M1	PCB1	CRITICAL	PCB_THIN

BOM NUMBER	BOM NAME	BOM OPTIONS
630-7322	M1_SIDEBURN	COMMON, PCB_THICK

DIMENSIONS ARE IN MILLIMETERS XX : _____ X.XX : _____ X.XXX : _____ ANGLES : _____ DO NOT SCALE DRAWING THIRD ANGLE PROJECTION	METRIC		Apple Computer Inc. NOTICE OF PROPRIETARY PROPERTY THE INFORMATION CONTAINED HEREIN IS THE PROPRIETARY PROPERTY OF APPLE COMPUTER, INC. THE POSSESSOR AGREES TO THE FOLLOWING I TO MAINTAIN THE DOCUMENT IN CONFIDENCE II NOT TO REPRODUCE OR COPY IT III NOT TO REVEAL OR PUBLISH IN WHOLE OR PART	
	DRAPTR	DESIGN CK		TITLE
	ENG APPD	MFG APPD		SCALE
	QA APPD	DESIGNER		NONE
RELEASE	SCALE	SIZE	DRAWING NUMBER	
		APPLICABLE	051-6990	
			REV. 03	
			SHT 1 OF 1	

8

7

6

5

4

3

2

1