

8

7

6

5

4

3

2

1

- 1. ALL RESISTANCE VALUES ARE IN OHMS, 0.1 WATT +/- 5%.
- 2. ALL CAPACITANCE VALUES ARE IN MICROFARADS.
- 3. ALL CRYSTALS & OSCILLATOR VALUES ARE IN HERTZ.

10/04/05

REV	ZONE	ECN	DESCRIPTION OF CHANGE	CK APPD DATE	ENG APPD DATE
D		403662	PRODUCTION RELEASED	10/05/05	?

PART#	QTY	DESCRIPTION	REFERENCE DESIGNATOR(S)	BOM OPTION
051-6869	1	SCHEMATICS, M23 DC/DC BOARD	SCH1	
820-1955	1	PCBF, M23 DC/DC BOARD	FAB1	

Preliminary

D

D

C

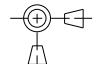
C

B

B

A

A

DIMENSIONS ARE IN MILLIMETERS		METRIC		Apple Computer Inc.	
XX :	_____	DRAPTER	/	DESIGN CK	/
X.XX :	_____	ENG APPD	/	MFG APPD	/
X.XXX :	_____	QA APPD	/	DESIGNER	/
ANGLES :	_____	RELEASE	/	SCALE	NONE
DO NOT SCALE DRAWING		MATERIAL/FINISH NOTED AS APPLICABLE		SIZE	D
 THIRD ANGLE PROJECTION		TITLE		SCH, DC/DC, IMG5, 17	
				DRAWING NUMBER	051-6869
				REV.	D
				SHT 1 OF 2	

8

7

6

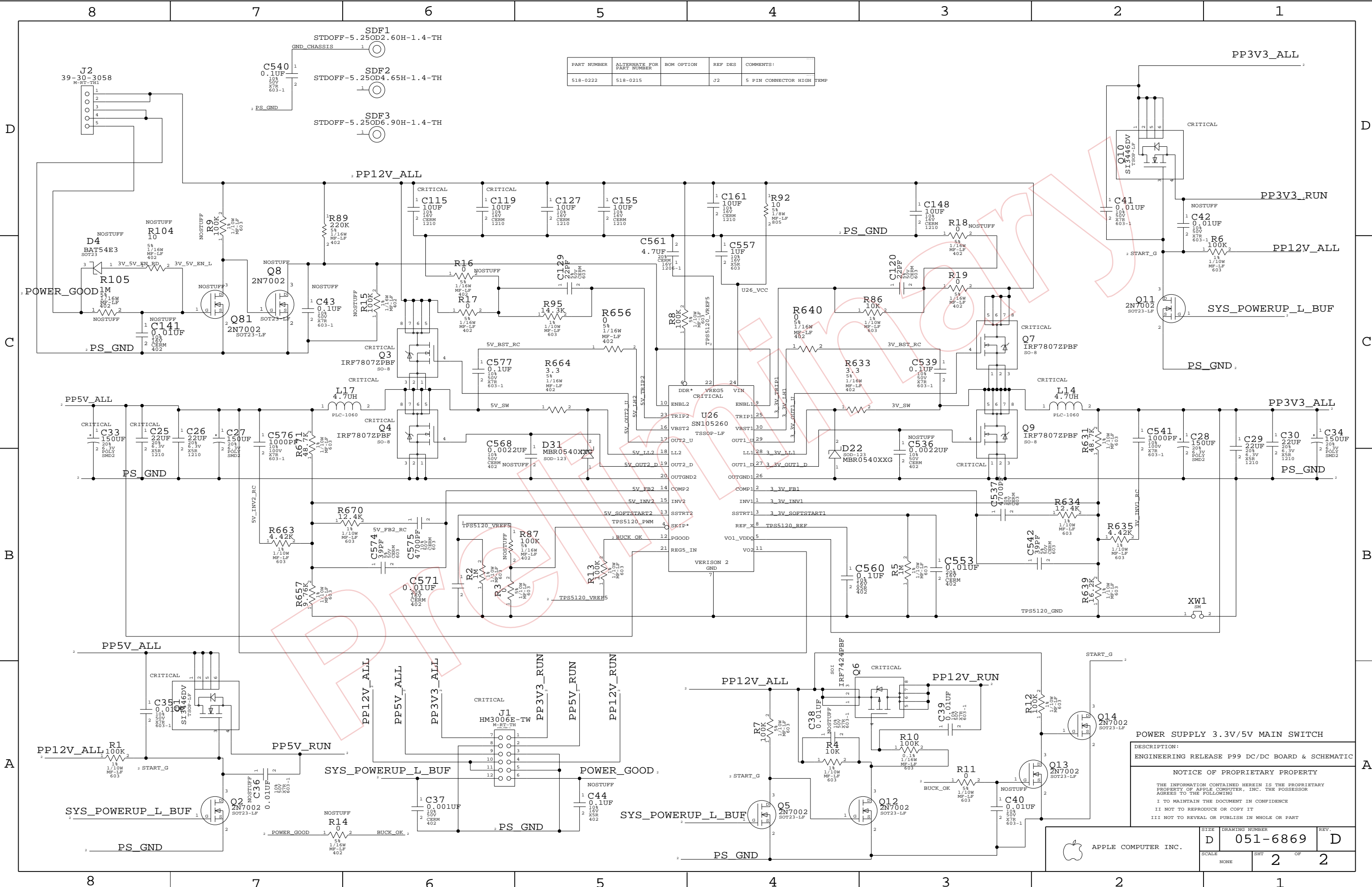
5

4

3

2

1



PART NUMBER	ALTERNATE FOR PART NUMBER	BOM OPTION	REF DES	COMMENTS
518-0222	518-0215		J2	5 PIN CONNECTOR HIGH TEMP

POWER SUPPLY 3.3V/5V MAIN SWITCH

DESCRIPTION:
ENGINEERING RELEASE P99 DC/DC BOARD & SCHEMATIC

NOTICE OF PROPRIETARY PROPERTY

THE INFORMATION CONTAINED HEREIN IS THE PROPRIETARY PROPERTY OF APPLE COMPUTER, INC. THE POSSESSOR AGREES TO THE FOLLOWING

I TO MAINTAIN THE DOCUMENT IN CONFIDENCE
 II NOT TO REPRODUCE OR COPY IT
 III NOT TO REVEAL OR PUBLISH IN WHOLE OR PART

APPLE COMPUTER INC.	SIZE	DRAWING NUMBER	REV.
	D	051-6869	D
SCALE	SHT	OF	
NONE	2	2	