

- 1. ALL RESISTANCE VALUES ARE IN OHMS, 0.1 WATT +/- 5%.
- 2. ALL CAPACITANCE VALUES ARE IN MICROFARADS.
- 3. ALL CRYSTALS & OSCILLATOR VALUES ARE IN HERTZ.

REV	ZONE	ECN	DESCRIPTION OF CHANGE	CK APPD DATE	ENG APPD DATE
D		263	PRODUCTION RELEASE	05/19/03	05/23/03

5/19/03 A RFA# 276257 ENGR RELEASE
5/23/03 B

PAGE TABLE OF CONTENTS

1	COVER PAGE
2,3	BLOCK DIAGRAM, SYSTEM, POWER & PCB INFO
4,5	MPC7450 MAXBUS
6,7	CPU SPEED & CONFIG OPTIONS
8	BOOTBANGER
9	CPU LA CONNECTORS, ESP, CPU BYPASS
10	CLOCKS
11	INTREPID MAX IF (SECTION 1)
12,13	INTREPID POWER & BYPASS (SECTION 8 & 9)
14	INTREPID DDR CONTROL
15	DDR MUXES
16,17	SO-DIMM, BIG DIMM
18	INTREPID AGP (SECTION 3)
19	NVIDIA AGP (SECTION 1)
20	NVIDIA FRAME BUFFER (SECTIONS 3 & 4)
21	NVIDIA FB SERIES TERMS, CLK DELAYS
22,23	GRAPHICS MEMORIES
24,25	NVIDIA DAC/DVI, CLOCKS & STRAPS (SECTIONS 2 & 5)
26,27	TMDS & EXTERNAL VGA CONNECTORS
28,29	NVIDIA POWER-ON RESET CONFIGURATION STRAPS
30	INTREPID GPIOs, INTERRUPTS & SERIAL PORTS (SECTION 6)
31	MODEM, BLUETOOTH, KITCHEN SINK & SERIAL DOWNLOAD
32	INTREPID PCI, ROM (SECTION 7)
33	WIRELESS PCI
34	USB2 CONTROLLER
35	USB POWER & CONNECTORS
36	INTREPID ETHERNET & FIREWIRE (SECTION 4)
37	ETHERNET PHY
38	FIREWIRE PHY
39	INTREPID UATA/IDE (SECTION 5)
40	ATA CD/HD CONNECTORS
41	AUDIO CODEC & VOLTAGE REGS
42,43	LINE IN/OUT BUFFERS
44,45	SPEAKER/MIC AMPS
46	POWER MANAGER UNIT
47-53	+5V/+12V, AUDIO, FW & TMDS POWER CONVERTERS
54-61	CONSTRAINT TABLES
62-66	NET TABLES
67-74	PART TABLES

Q26B DVT MLB

GEN X REV B

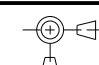

LAST_MODIFIED=Wed May 28 20:14:31 2003

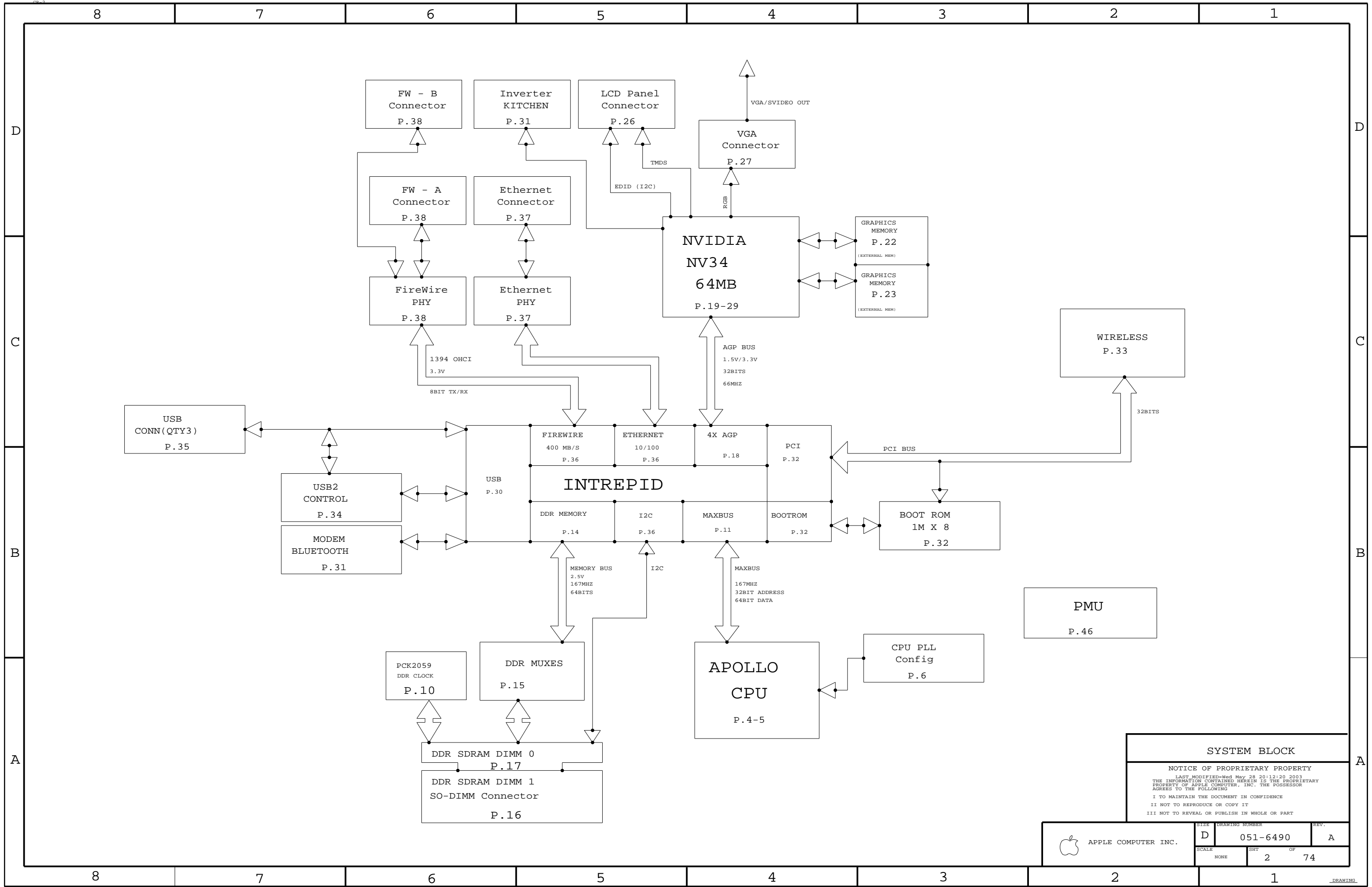
POWER RAIL DEFINITIONS

	RUN	SLEEP	SHUTDOWN
+2_5V_MAIN	ON	ON	OFF
+3V_MAIN	ON	ON	OFF
+5V_MAIN	ON	ON	OFF
+5V_SLEEP	ON	OFF	OFF
+12V_MAIN	ON	ON	ON
+12V_SLEEP	ON	OFF	OFF
FW_PWR	ON	ON	OFF
+1.8V_SLEEP	ON	OFF	OFF
+MAXBUS_SLEEP	ON	OFF	OFF

SCHEMATIC AND PCB SUPPORT

PART NUMBER	QTY	DESCRIPTION	REFERENCE DES	CRITICAL	BOM OPTION
051-6490	1	SCHEM,MLB,Q26A,GENX	SCH1	CRITICAL	
820-1501	1	PCB,MLB,IMACG4	PCB1	CRITICAL	
825-2029	1	LBL,SER #,BARCODE	PCB1		
056-1158	1	DESIGN GUIDE,MCO,IMACG4	PCB1	CRITICAL	
057-0040	1	DFM,PNLZN DWG,MLB,Q26	PCB1	CRITICAL	
630-4745	1	630-4745,PCBA,H,Q26A,EEE PRR	HYNIX		OMIT
630-4746	1	630-4746,PCBA,S,Q26A,EEE PRS	SAMSUNG		OMIT

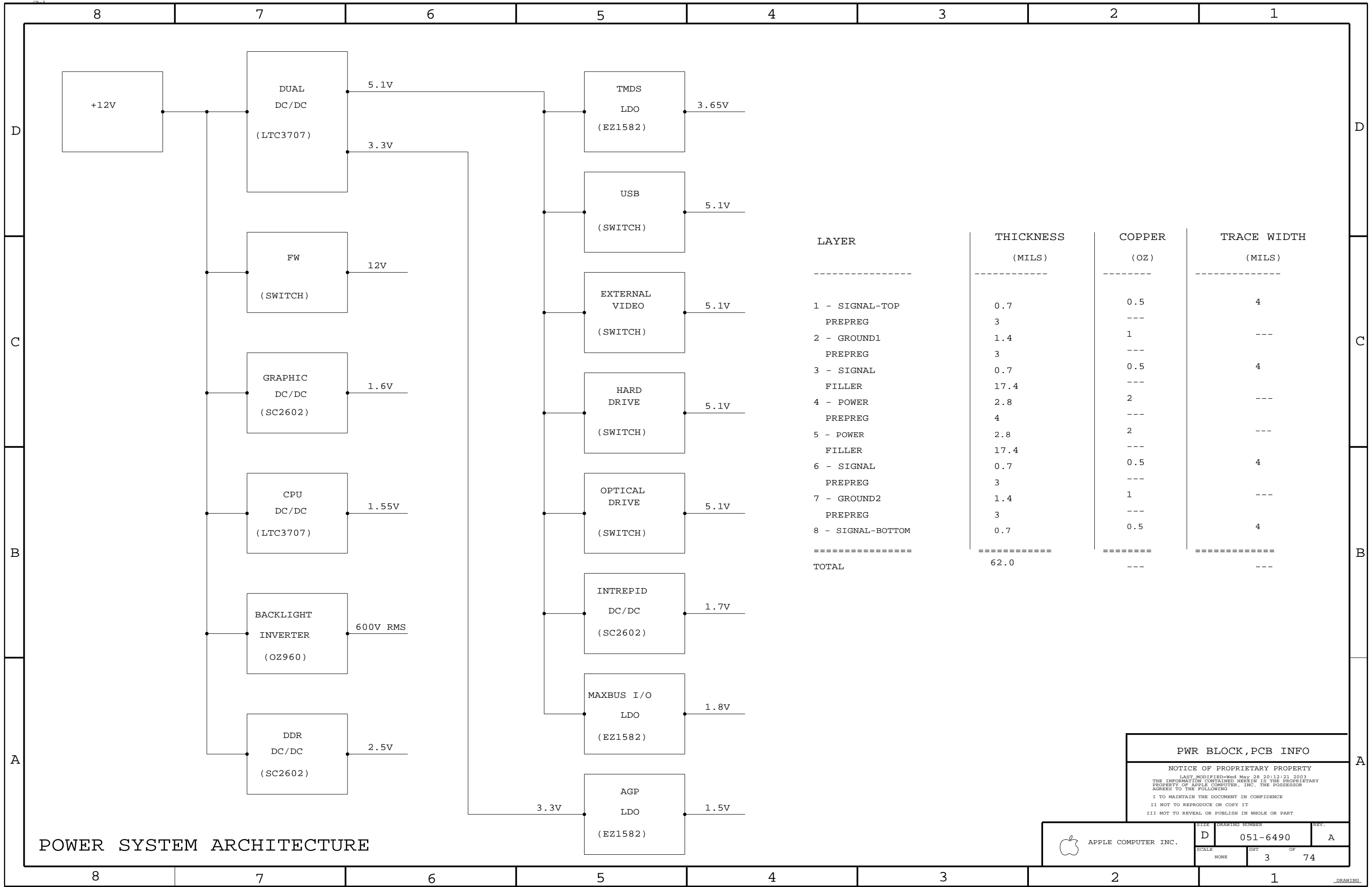
<p style="font-size: small;">DIMENSIONS ARE IN MILLIMETERS</p> <p>xx: _____</p> <p>x.xx: _____</p> <p>x.xxx: _____</p> <p>ANGLES: _____</p> <p style="font-size: x-small;">DO NOT SCALE DRAWING</p> <p style="text-align: center;"></p> <p style="font-size: x-small;">THIRD ANGLE PROJECTION</p>	<p>METRIC</p>	 Apple Computer Inc.
<p style="font-size: x-small;">DRAPPR <input type="checkbox"/> DESIGN CR <input type="checkbox"/></p> <p style="font-size: x-small;">ENG APPD <input type="checkbox"/> MFG APPD <input type="checkbox"/></p> <p style="font-size: x-small;">QA APPD <input type="checkbox"/> DESIGNER <input type="checkbox"/></p> <p style="font-size: x-small;">RELEASE <input type="checkbox"/> SCALE NONE <input type="checkbox"/></p> <p style="font-size: x-small;">MATERIAL/FINISH NOTED AS APPLICABLE</p>		<p>NOTICE OF PROPRIETARY PROPERTY</p> <p>THE INFORMATION CONTAINED HEREIN IS THE PROPRIETARY PROPERTY OF APPLE COMPUTER, INC. THE POSSESSOR AGREES TO THE FOLLOWING</p> <p>I TO MAINTAIN THE DOCUMENT IN CONFIDENCE</p> <p>II NOT TO REPRODUCE OR COPY IT</p> <p>III NOT TO REVEAL OR PUBLISH IN WHOLE OR PART</p>
		<p>TITLE</p> <p style="font-size: large;">SCHEM,MLB,Q26,GEN X</p>
		<p>DRAWING NUMBER 051-6490 REV. A</p> <p style="text-align: right;">SHT 1 OF 74</p>



SYSTEM BLOCK

NOTICE OF PROPRIETARY PROPERTY
 LAST MODIFIED: Wed May 28 20:12:20 2003
 THE INFORMATION CONTAINED HEREIN IS THE PROPRIETARY PROPERTY OF APPLE COMPUTER, INC. THE POSSESSOR AGREES TO THE FOLLOWING:
 I TO MAINTAIN THE DOCUMENT IN CONFIDENCE
 II NOT TO REPRODUCE OR COPY IT
 III NOT TO REVEAL OR PUBLISH IN WHOLE OR PART

APPLE COMPUTER INC.	SIZE	DRAWING NUMBER	REV.
	D	051-6490	A
SCALE	NONE	SHT	OF
		2	74



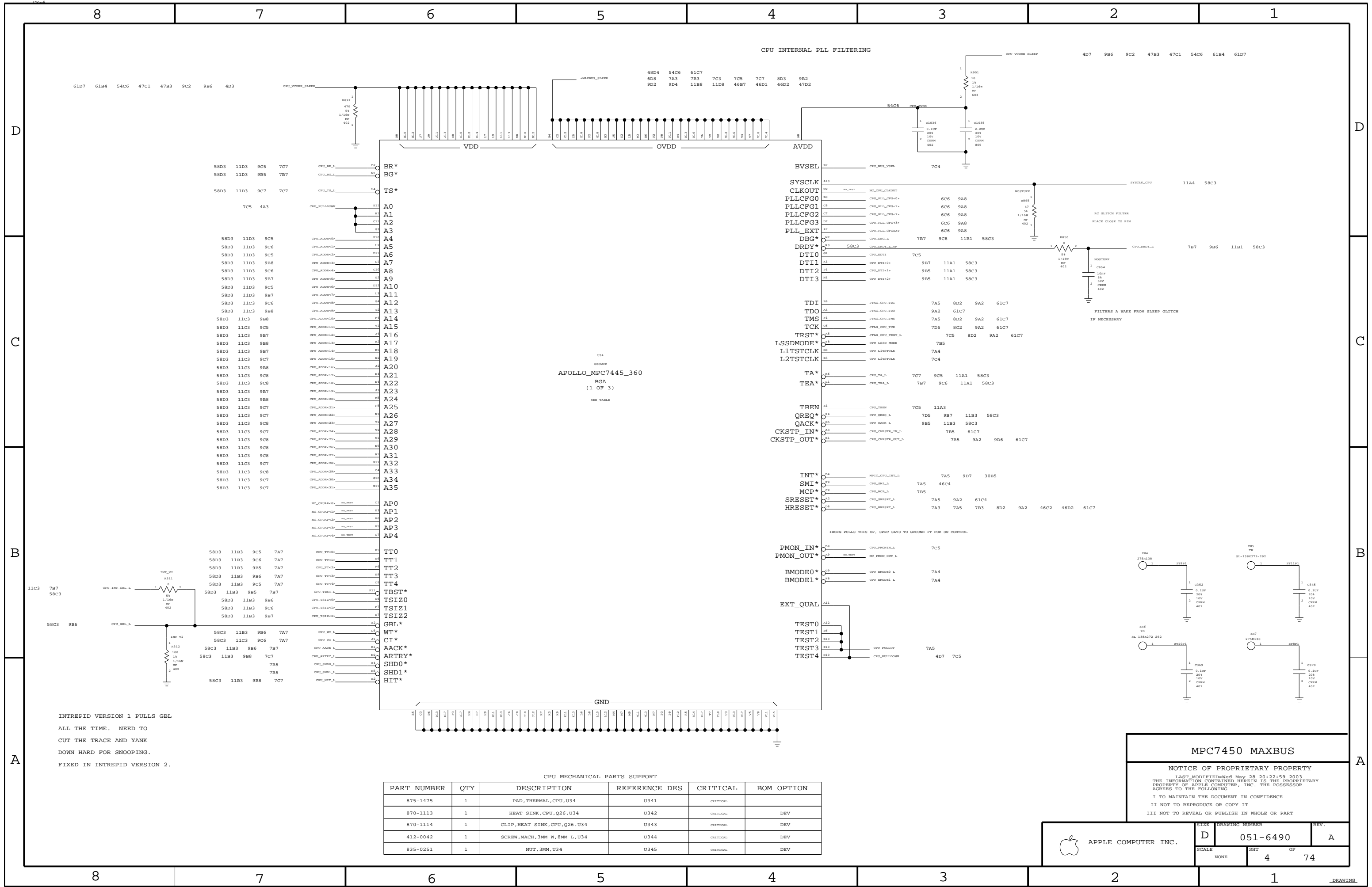
LAYER	THICKNESS (MILS)	COPPER (OZ)	TRACE WIDTH (MILS)
1 - SIGNAL-TOP	0.7	0.5	4
PREPREG	3	---	---
2 - GROUND1	1.4	1	---
PREPREG	3	---	---
3 - SIGNAL	0.7	0.5	4
FILLER	17.4	---	---
4 - POWER	2.8	2	---
PREPREG	4	---	---
5 - POWER	2.8	2	---
FILLER	17.4	---	---
6 - SIGNAL	0.7	0.5	4
PREPREG	3	---	---
7 - GROUND2	1.4	1	---
PREPREG	3	---	---
8 - SIGNAL-BOTTOM	0.7	0.5	4
=====	=====	=====	=====
TOTAL	62.0	---	---

POWER SYSTEM ARCHITECTURE

PWR BLOCK, PCB INFO

NOTICE OF PROPRIETARY PROPERTY
 LAST MODIFIED: Wed May 28 20:12:21 2003
 THE INFORMATION CONTAINED HEREIN IS THE PROPRIETARY
 PROPERTY OF APPLE COMPUTER, INC. THE POSSESSOR
 AGREES TO THE FOLLOWING
 I TO MAINTAIN THE DOCUMENT IN CONFIDENCE
 II NOT TO REPRODUCE OR COPY IT
 III NOT TO REVEAL OR PUBLISH IN WHOLE OR PART

APPLE COMPUTER INC.	SIZE	DRAWING NUMBER	REV.
	D	051-6490	A
SCALE	SHT		OF
NONE	3		74



INTREPID VERSION 1 PULLS GBL
ALL THE TIME. NEED TO
CUT THE TRACE AND YANK
DOWN HARD FOR SNOOPING.
FIXED IN INTREPID VERSION 2.

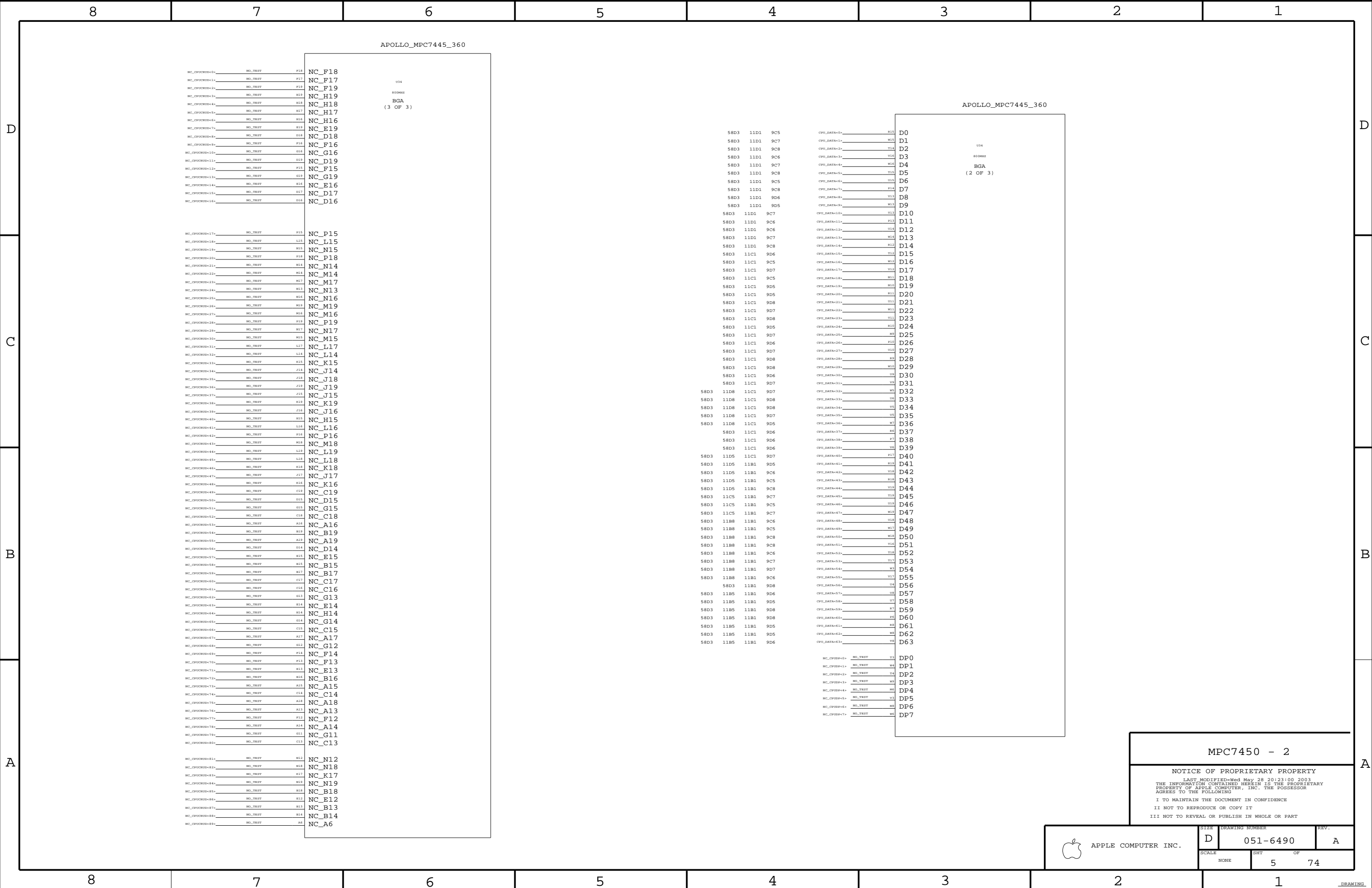
CPU MECHANICAL PARTS SUPPORT

PART NUMBER	QTY	DESCRIPTION	REFERENCE DES	CRITICAL	BOM OPTION
875-1475	1	PAD, THERMAL, CPU, U34	U341	CRITICAL	
870-1113	1	HEAT SINK, CPU, Q26, U34	U342	CRITICAL	DEV
870-1114	1	CLIP, HEAT SINK, CPU, Q26, U34	U343	CRITICAL	DEV
412-0042	1	SCREW, MACH, 3MM W, 8MM L, U34	U344	CRITICAL	DEV
835-0251	1	NUT, 3MM, U34	U345	CRITICAL	DEV

MPC7450 MAXBUS

NOTICE OF PROPRIETARY PROPERTY
LAST MODIFIED: Wed May 28 20:22:59 2003
THE INFORMATION CONTAINED HEREIN IS THE PROPRIETARY
PROPERTY OF APPLE COMPUTER, INC. THE POSSESSOR
AGREES TO THE FOLLOWING
I TO MAINTAIN THE DOCUMENT IN CONFIDENCE
II NOT TO REPRODUCE OR COPY IT
III NOT TO REVEAL OR PUBLISH IN WHOLE OR PART

	APPLE COMPUTER INC.		DRAWING NUMBER 051-6490	REV. A
	SCALE NONE	SHT 4	OF 74	



APOLLO_MPC7445_360

APOLLO_MPC7445_360

034
850802
BGA
(2 OF 3)

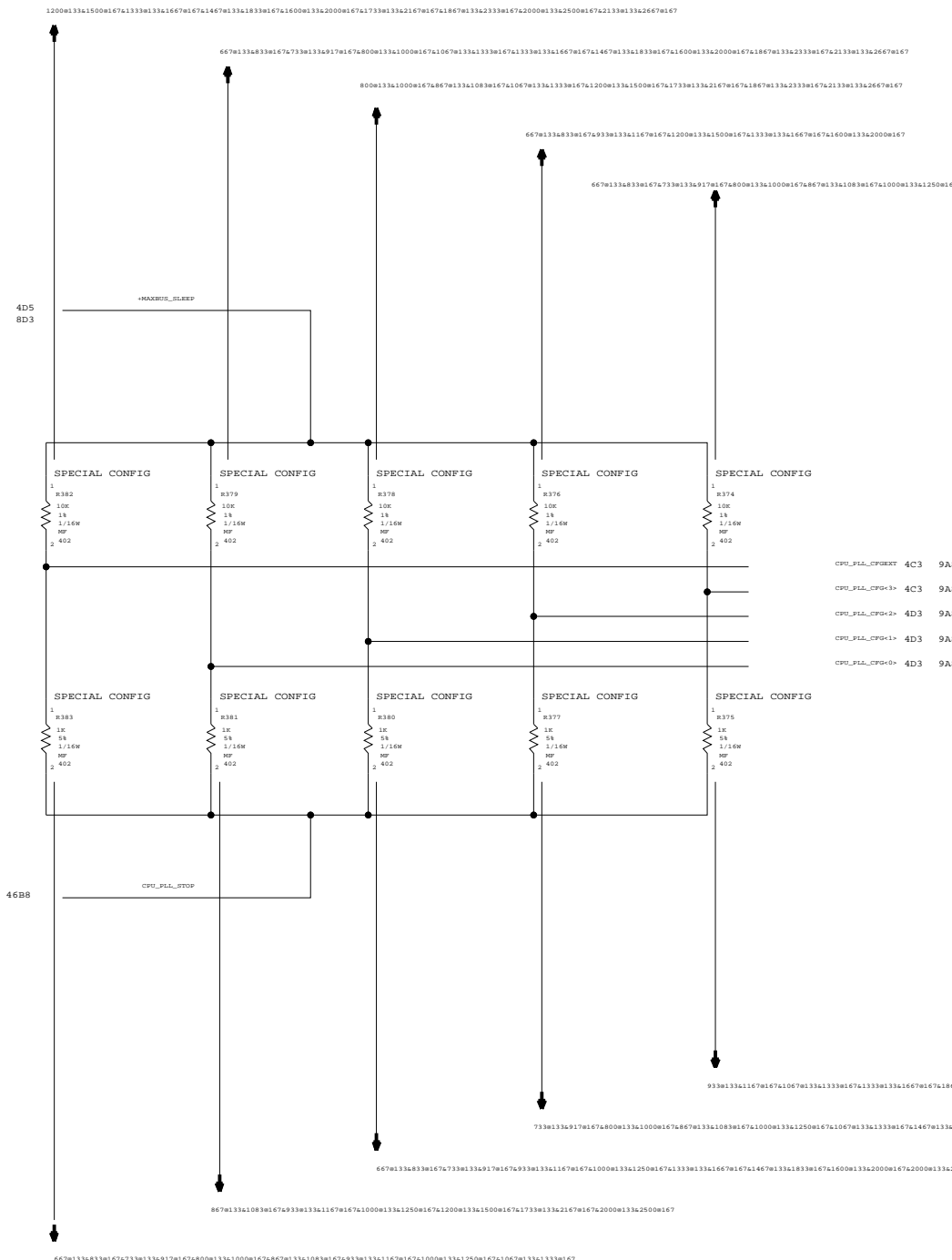
MPC7450 - 2

NOTICE OF PROPRIETARY PROPERTY
 LAST MODIFIED: Wed May 28 20:23:00 2003
 THE INFORMATION CONTAINED HEREIN IS THE PROPRIETARY
 PROPERTY OF APPLE COMPUTER, INC. THE POSSESSOR
 AGREES TO THE FOLLOWING
 I TO MAINTAIN THE DOCUMENT IN CONFIDENCE
 II NOT TO REPRODUCE OR COPY IT
 III NOT TO REVEAL OR PUBLISH IN WHOLE OR PART

APPLE COMPUTER INC.	SIZE	DRAWING NUMBER	REV.
	D	051-6490	A
SCALE	SHT		OF
NONE	5		74

DRAWING

BOMPTIONS FOR UPPER-SET OF RESISTORS



CPU FREQUENCY CONFIGURATION (SUPPORTED CPU & BUS SPEEDS)

MULTIPLIER (BUS-TO-CORE)	CORE FREQUENCY (AT BUS FREQUENCY) (MHZ)		CPU_PLL_CFG E 0123 HEX
	167MHZ	133MHZ	
5.0X	833	667	0 1011 0B
5.5X	917	733	0 1001 09
6.0X	1000	800	0 1101 0D
6.5X	1083	867	0 0101 05
7.0X	1167	933	0 0010 02
7.5X	1250	1000	0 0001 01
8.0X	1333	1067	0 1100 0C
9.0X	1500	1200	1 0111 17
10.0X	1667	1333	1 1010 1A
11.0X	1833	1467	1 1001 19
12.0X	2000	1600	1 1011 1B
13.0X	2167	1733	1 0101 15
14.0X	2333	1867	1 1100 1C
15.0X	2500	2000	1 0001 11
16.0X	2667	2133	1 1101 1D

CPU FREQUENCY CONFIGURATION (OTHER POSSIBLE CPU & BUS SPEEDS)

MULTIPLIER (BUS-TO-CORE)	CORE FREQUENCY (AT BUS FREQUENCY) (MHZ)		CPU_PLL_CFG E 0123 HEX
	167MHZ	133MHZ	
0.0X			0 1111 0F
1.0X	(11.5X) 167 (1917)	133 (1533)	0 0000 00
2.0X			0 0100 04
2.5X	(8.5X) 417 (1417)	333 (1133)	0 0110 06
3.0X			0 1000 08
3.5X	(13.5X) 583 (2250)	467 (1800)	0 1110 0E
4.0X			0 1010 0A
4.5X	(9.5X) 750 (1583)	600 (1267)	0 0111 07
17.0X	2833	2267	1 0000 10
18.0X	3000	2400	1 0010 12
20.0X	3333	2667	1 0011 13
21.0X	3500	2800	1 0100 14
24.0X	4000	3200	1 0110 16
10.5X	1750	1400	1 1000 18
28.0X	4667	3733	1 1110 1E
12.5X	2083	1667	1 1111 1F

REV 3.0+ ONLY

BOMPTIONS FOR LOWER-SET OF RESISTORS

CPU SPEED & BUS RATIO SUPPORT
THE CONFIGURATION RESISTORS BELOW ARE SELF CONFIGURING
WHEN THE ENGINEER SELECTS THE APPROPRIATE CPU AND
BUS SPEED BOM OPTION, THE APPROPRIATE RESISTORS ARE
ARE AUTOMATICALLY SELECTED

PART NUMBER	QTY	DESCRIPTION	REFERENCE DES	CRITICAL	BOM OPTION
337S2674	1	IC, APOLLO, N5, V3. 3, 1.0GHZ	U34		1000e133
116S1473	2	RES, 4.7K-OHM, 5%, 1/16W, 0402	R887, R368		1000e133
114S1004	1	RES, 10K-OHM, 1%, 1/16W, 0402	R866		1000e133
337S2769	1	IC, APOLLO, N5, V3. 3, 1.250GHZ	U34		1250e167
116S1473	3	RES, 4.7K-OHM, 5%, 1/16W, 0402	R887, R368, R357		1250e167

CPU BUS RATIO BITS

NOTICE OF PROPRIETARY PROPERTY
LAST MODIFIED: Wed May 28 20:23:01 2003
THE INFORMATION CONTAINED HEREIN IS THE PROPRIETARY
PROPERTY OF APPLE COMPUTER, INC. THE POSSESSOR
AGREES TO THE FOLLOWING
I TO MAINTAIN THE DOCUMENT IN CONFIDENCE
II NOT TO REPRODUCE OR COPY IT
III NOT TO REVEAL OR PUBLISH IN WHOLE OR PART

APPLE COMPUTER INC.

SIZE	D	DRAWING NUMBER	051-6490	REV.	A
SCALE	NONE	SHT	6	OF	74

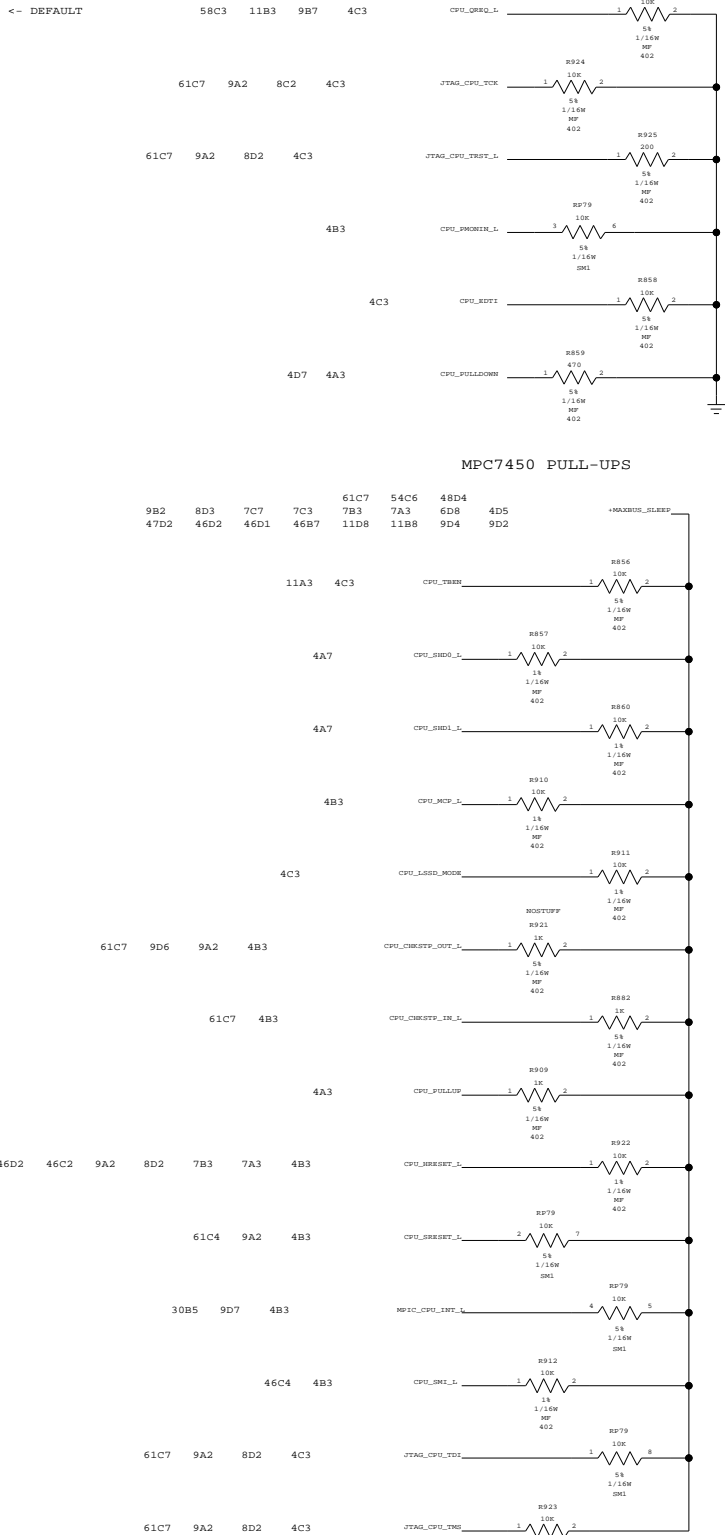
BMODE	MSSCR0	Sys	Vger	Addr
<0> <1>	<16:17>	Bus	ID	Drve
L L	1 1	???	01	yes unavail
L !hr	1 0	Max	01	yes unavail
L hr	1 1	???	00	yes unavail
L H	1 0	Max	00	yes unavail

!hr L	0 1	MB+	01	yes unavail
!hr !hr	0 0	60x	01	yes unavail
!hr hr	0 1	MB+	00	yes unavail
!hr H	0 0	60x	00	yes unavail

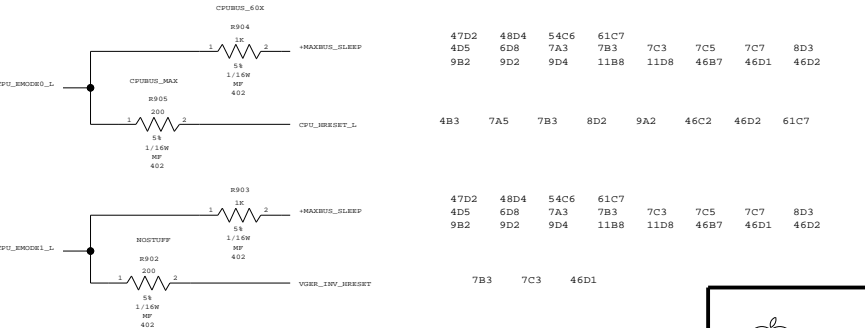
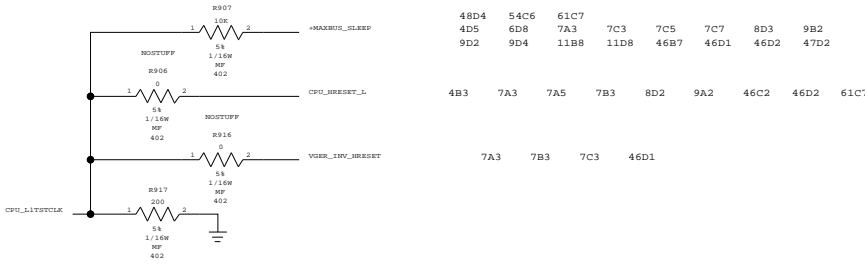
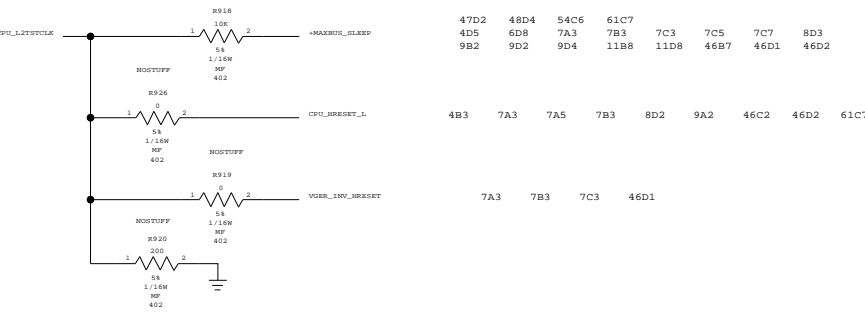
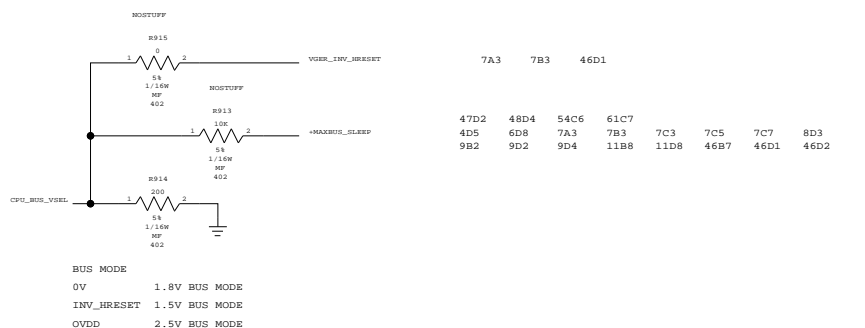
hr L	1 1	???	01	norm unavail
hr !hr	1 0	Max	01	norm
hr hr	1 1	???	00	norm unavail
HR H	1 0	MAX	00	NORM

H L	0 1	MB+	01	norm unavail
H !hr	0 0	60x	01	norm
H hr	0 1	MB+	00	norm unavail
H H	0 0	60x	00	norm

-- DEFAULT



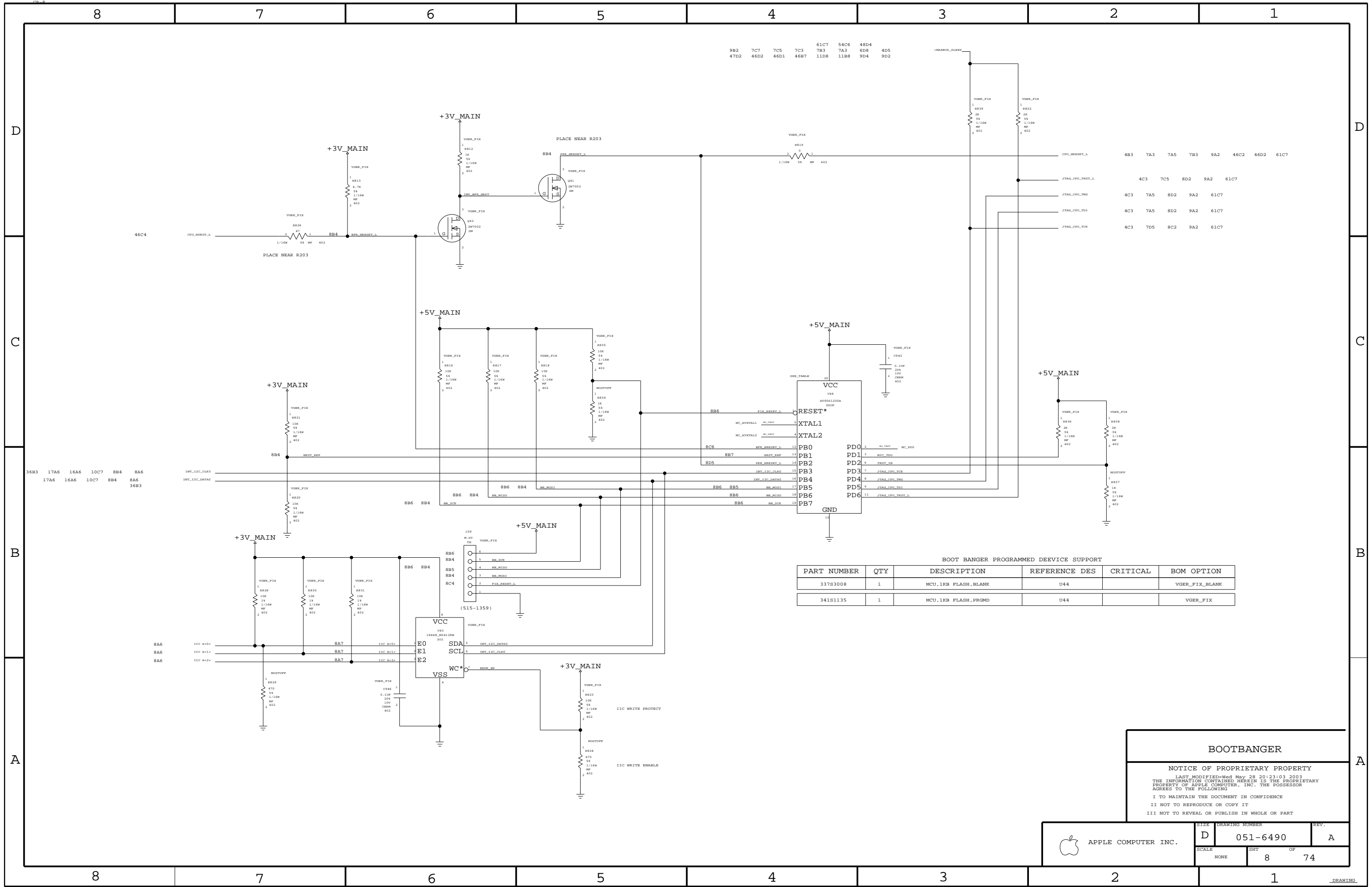
SIGNAL	TIED	APPLICATION
CPU_EMODE0_L	HIGH	60X BUS MODE
	CPU_HRESET_L	MAX BUS MODE
CPU_BUS_VSEL	CPU_HRESET_L	2.5V INTERFACE
	LOW	1.8V INTERFACE
	CPU_HRESET_H	1.5V INTERFACE
CPU_L3_VSEL	CPU_HRESET_L or L3_OVDD	2.5V INTERFACE
	LOW	1.8V INTERFACE
	CPU_HRESET_H	1.5V INTERFACE



CPU CONFIG OPTIONS

NOTICE OF PROPRIETARY PROPERTY
 LAST MODIFIED: Wed May 28 20:23:02 2003
 THE INFORMATION CONTAINED HEREIN IS THE PROPRIETARY PROPERTY OF APPLE COMPUTER, INC. THE POSSESSOR AGREES TO THE FOLLOWING:
 I TO MAINTAIN THE DOCUMENT IN CONFIDENCE
 II NOT TO REPRODUCE OR COPY IT
 III NOT TO REVEAL OR PUBLISH IN WHOLE OR PART

DRAWING NUMBER	051-6490	REV.	A
	SCALE		SHT
NONE		7	74



BOOT BANGER PROGRAMMED DEEVICE SUPPORT

PART NUMBER	QTY	DESCRIPTION	REFERENCE DES	CRITICAL	BOM OPTION
337S3008	1	MCU,1KB FLASH, BLANK	U44		VGER_FIX_BLANK
341S1135	1	MCU,1KB FLASH, PRGMD	U44		VGER_FIX

BOOTBANGER

NOTICE OF PROPRIETARY PROPERTY

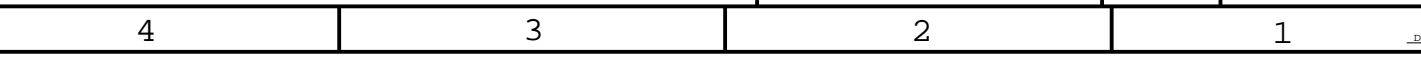
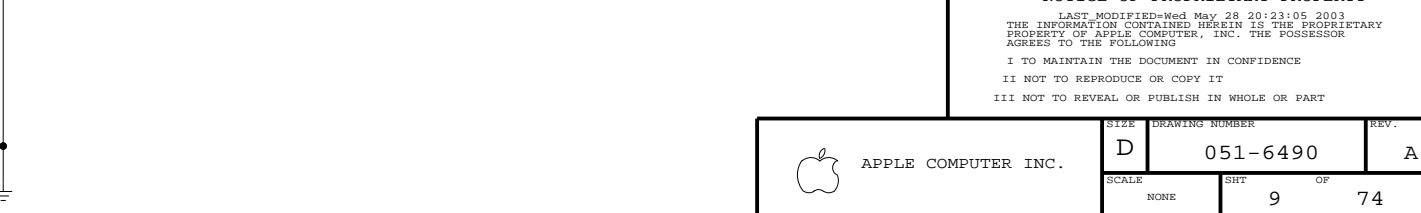
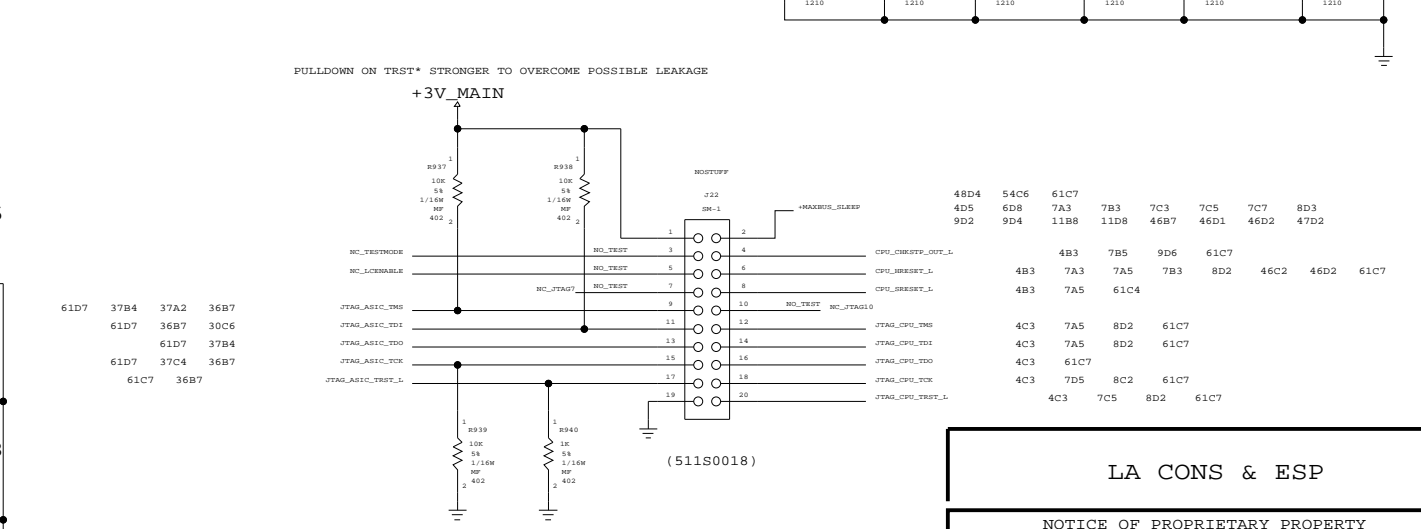
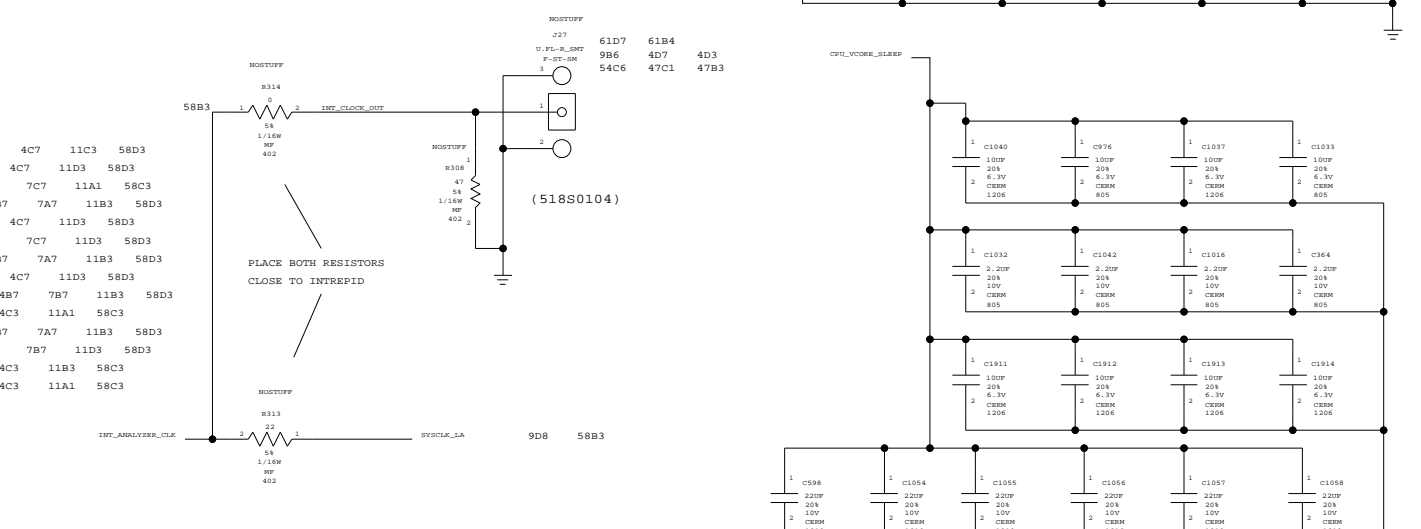
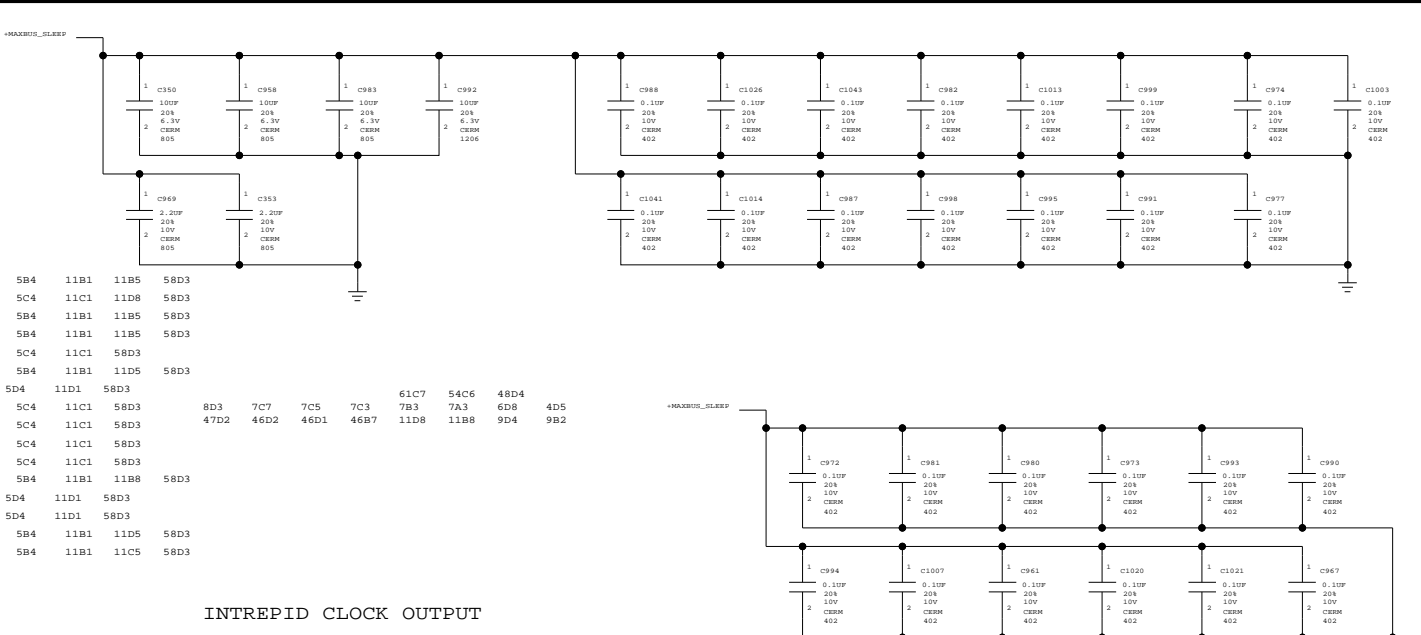
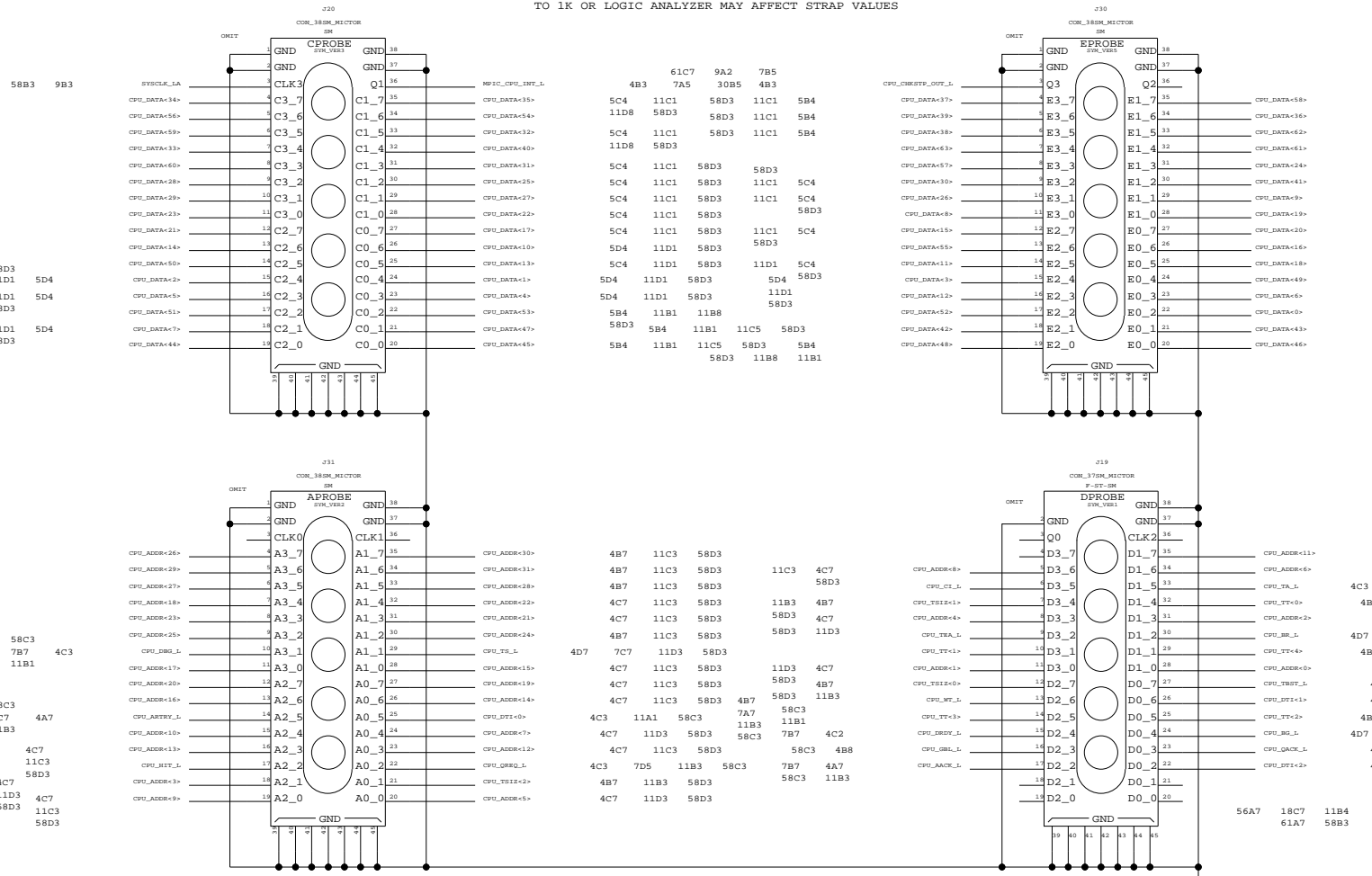
LAST MODIFIED: Wed May 28 20:23:03 2003
 THE INFORMATION CONTAINED HEREIN IS THE PROPRIETARY
 PROPERTY OF APPLE COMPUTER, INC. THE POSSESSOR
 AGREES TO THE FOLLOWING

I TO MAINTAIN THE DOCUMENT IN CONFIDENCE
 II NOT TO REPRODUCE OR COPY IT
 III NOT TO REVEAL OR PUBLISH IN WHOLE OR PART

APPLE COMPUTER INC.	SIZE	DRAWING NUMBER	REV.
	D	051-6490	A
SCALE	SHT	OF	
NONE	8	74	

MAXBUS LOGIC ANALYZER SUPPORT

NOTE: INTREPID MAXBUS CONFIG STRAPS MUST DROP TO 1K OR LOGIC ANALYZER MAY AFFECT STRAP VALUES



LA CONS & ESP

NOTICE OF PROPRIETARY PROPERTY

LAST MODIFIED: Wed May 28 20:23:05 2003

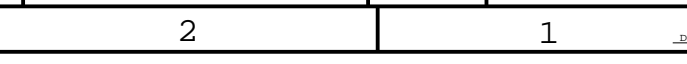
THE INFORMATION CONTAINED HEREIN IS THE PROPRIETARY PROPERTY OF APPLE COMPUTER, INC. THE POSSESSOR AGREES TO THE FOLLOWING:

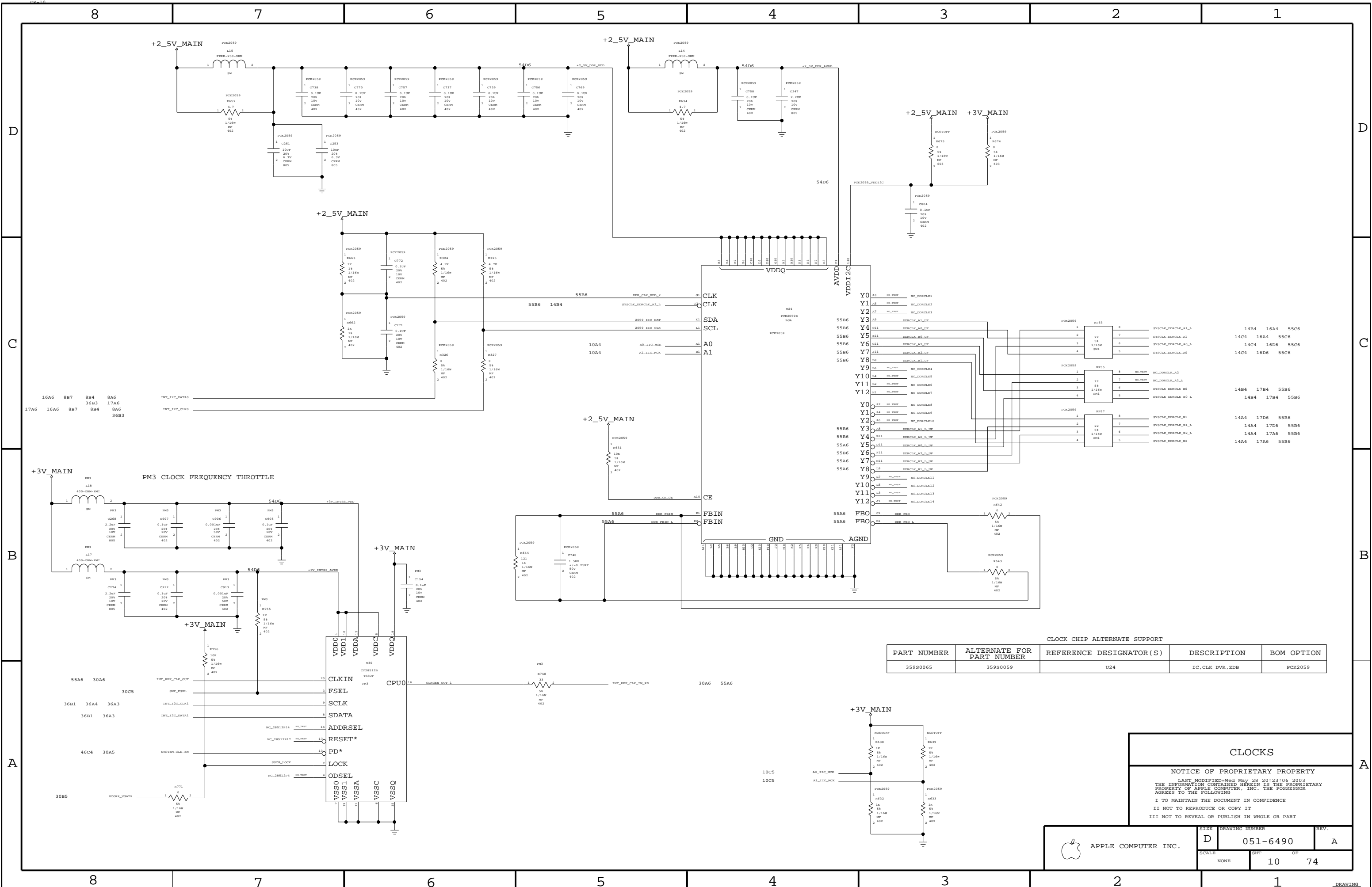
I TO MAINTAIN THE DOCUMENT IN CONFIDENCE

II NOT TO REPRODUCE OR COPY IT

III NOT TO REVEAL OR PUBLISH IN WHOLE OR PART

SIZE	D	DRAWING NUMBER	051-6490	REV.	A
SCALE	NONE	SHT	9	OF	74





CLOCK CHIP ALTERNATE SUPPORT

PART NUMBER	ALTERNATE FOR PART NUMBER	REFERENCE DESIGNATOR(S)	DESCRIPTION	BOM OPTION
35980065	35980059	U24	IC,CLK DVR,ZDB	PCK2059

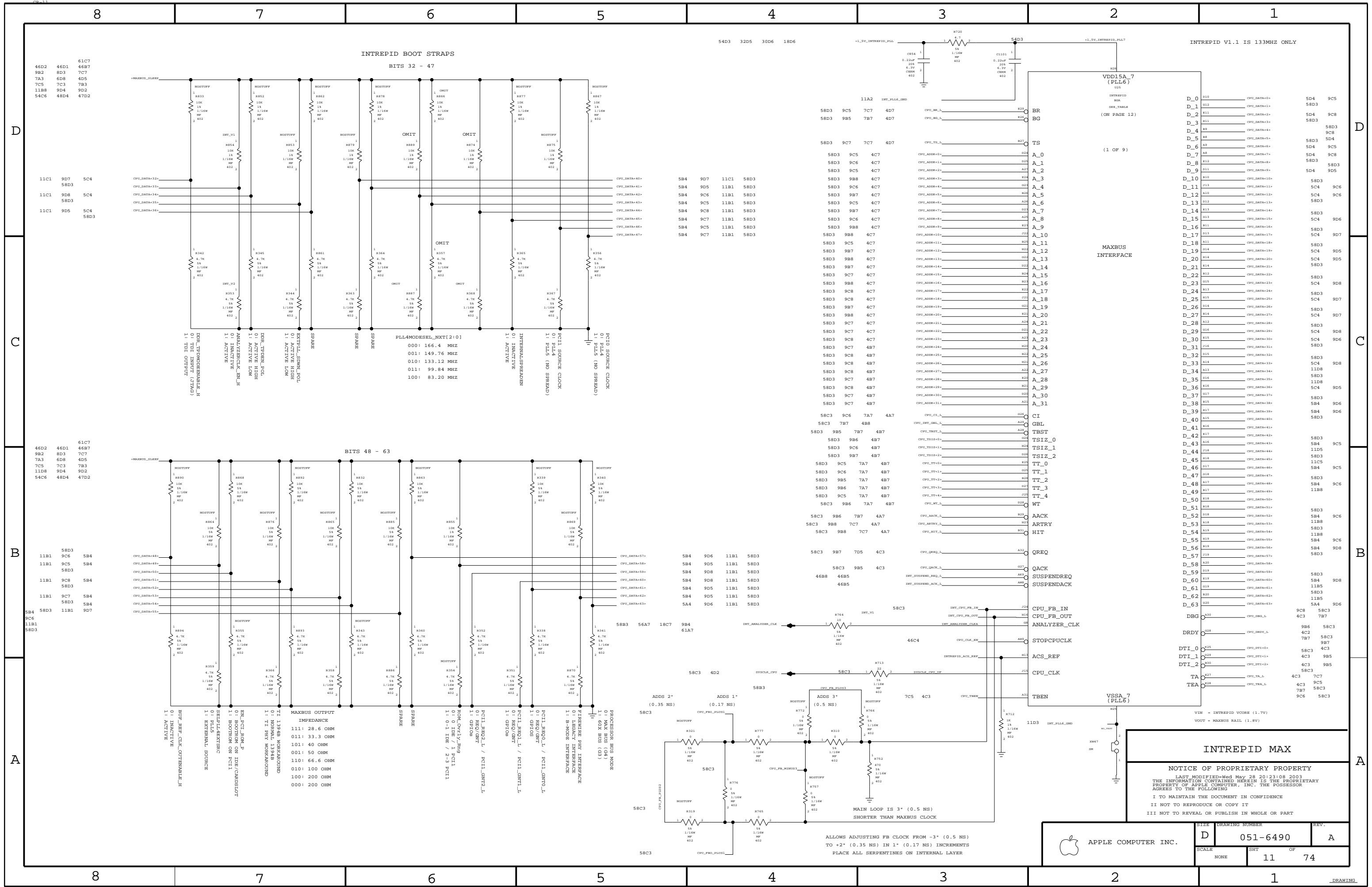
CLOCKS

NOTICE OF PROPRIETARY PROPERTY

LAST MODIFIED=Wed May 28 20:23:06 2003
 THE INFORMATION CONTAINED HEREIN IS THE PROPRIETARY PROPERTY OF APPLE COMPUTER, INC. THE POSSESSOR AGREES TO THE FOLLOWING

I TO MAINTAIN THE DOCUMENT IN CONFIDENCE
 II NOT TO REPRODUCE OR COPY IT
 III NOT TO REVEAL OR PUBLISH IN WHOLE OR PART

APPLE COMPUTER INC.	SIZE	DRAWING NUMBER	REV.
	D	051-6490	A
SCALE	SHT	OF	
NONE	10	74	



INTREPID BOOT STRAPS
BITS 32 - 47

INTREPID BOOT STRAPS
BITS 48 - 63

INTREPID MAX

NOTICE OF PROPRIETARY PROPERTY
 LAST MODIFIED: Wed May 28 20:23:08 2003
 THE INFORMATION CONTAINED HEREIN IS THE PROPRIETARY
 PROPERTY OF APPLE COMPUTER, INC. THE POSSESSOR
 AGREES TO THE FOLLOWING
 I TO MAINTAIN THE DOCUMENT IN CONFIDENCE
 II NOT TO REPRODUCE OR COPY IT
 III NOT TO REVEAL OR PUBLISH IN WHOLE OR PART

DRAWING NUMBER	051-6490		REV. A
	SCALE	NONE	
SHEET	11		OF 74
	NONE		

ALLOWS ADJUSTING FB CLOCK FROM -3* (0.5 NS)
 TO +2* (0.35 NS) IN 1* (0.17 NS) INCREMENTS
 PLACE ALL SERPENTINES ON INTERNAL LAYER

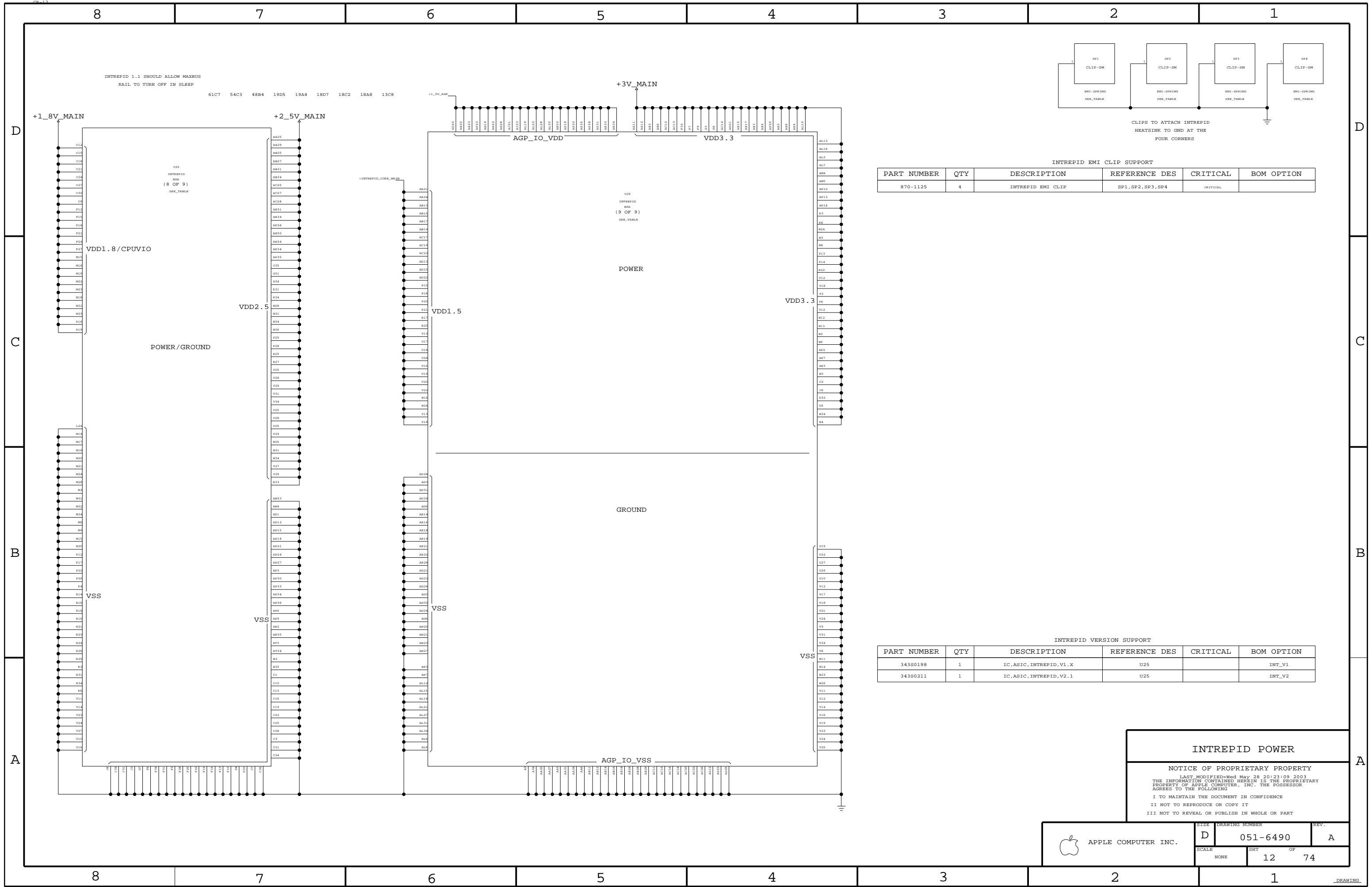
VIN = INTREPID VOOCE (1.7V)
 VOUT = MAXBUS RAIL (1.8V)

D_0	CPU_DATA<0>	5D4	9C5
D_1	CPU_DATA<1>	5D3	9C8
D_2	CPU_DATA<2>	5D4	9C8
D_3	CPU_DATA<3>	5D3	9C8
D_4	CPU_DATA<4>	5D3	9C8
D_5	CPU_DATA<5>	5D3	9C8
D_6	CPU_DATA<6>	5D4	9C5
D_7	CPU_DATA<7>	5D4	9C8
D_8	CPU_DATA<8>	5D3	9C8
D_9	CPU_DATA<9>	5D4	9D5
D_10	CPU_DATA<10>	5D3	9C8
D_11	CPU_DATA<11>	5C4	9C6
D_12	CPU_DATA<12>	5C4	9C6
D_13	CPU_DATA<13>	5D3	9C8
D_14	CPU_DATA<14>	5D3	9C8
D_15	CPU_DATA<15>	5C4	9D6
D_16	CPU_DATA<16>	5D3	9C8
D_17	CPU_DATA<17>	5C4	9D7
D_18	CPU_DATA<18>	5D3	9C8
D_19	CPU_DATA<19>	5C4	9D5
D_20	CPU_DATA<20>	5D3	9C8
D_21	CPU_DATA<21>	5C4	9D5
D_22	CPU_DATA<22>	5D3	9C8
D_23	CPU_DATA<23>	5C4	9D8
D_24	CPU_DATA<24>	5D3	9C8
D_25	CPU_DATA<25>	5C4	9D7
D_26	CPU_DATA<26>	5D3	9C8
D_27	CPU_DATA<27>	5C4	9D7
D_28	CPU_DATA<28>	5D3	9C8
D_29	CPU_DATA<29>	5C4	9D8
D_30	CPU_DATA<30>	5C4	9D6
D_31	CPU_DATA<31>	5D3	9C8
D_32	CPU_DATA<32>	5D3	9C8
D_33	CPU_DATA<33>	5C4	9D8
D_34	CPU_DATA<34>	5D3	9C8
D_35	CPU_DATA<35>	5D3	9C8
D_36	CPU_DATA<36>	5C4	9D5
D_37	CPU_DATA<37>	5D3	9C8
D_38	CPU_DATA<38>	5B4	9D6
D_39	CPU_DATA<39>	5B4	9D6
D_40	CPU_DATA<40>	5D3	9C8
D_41	CPU_DATA<41>	5D3	9C8
D_42	CPU_DATA<42>	5D3	9C5
D_43	CPU_DATA<43>	5D3	9C5
D_44	CPU_DATA<44>	5D3	9C5
D_45	CPU_DATA<45>	5B4	9C5
D_46	CPU_DATA<46>	5D3	9C8
D_47	CPU_DATA<47>	5D3	9C8
D_48	CPU_DATA<48>	5B4	9C6
D_49	CPU_DATA<49>	11B8	9C6
D_50	CPU_DATA<50>	5D3	9C8
D_51	CPU_DATA<51>	5D3	9C6
D_52	CPU_DATA<52>	11B8	9C6
D_53	CPU_DATA<53>	5D3	9C8
D_54	CPU_DATA<54>	11B8	9C6
D_55	CPU_DATA<55>	5B4	9D8
D_56	CPU_DATA<56>	5D3	9C8
D_57	CPU_DATA<57>	5D3	9C8
D_58	CPU_DATA<58>	5D3	9C8
D_59	CPU_DATA<59>	5D3	9C8
D_60	CPU_DATA<60>	5B4	9D8
D_61	CPU_DATA<61>	11B5	9C8
D_62	CPU_DATA<62>	11B5	9C8
D_63	CPU_DATA<63>	5A4	9D6

SIZE	D	REV.	A
SCALE	NONE	SHT	11
OF			74



APPLE COMPUTER INC.



INTREPID EMI CLIP SUPPORT

PART NUMBER	QTY	DESCRIPTION	REFERENCE DES	CRITICAL	BOM OPTION
870-1125	4	INTREPID EMI CLIP	SP1,SP2,SP3,SP4	CRITICAL	

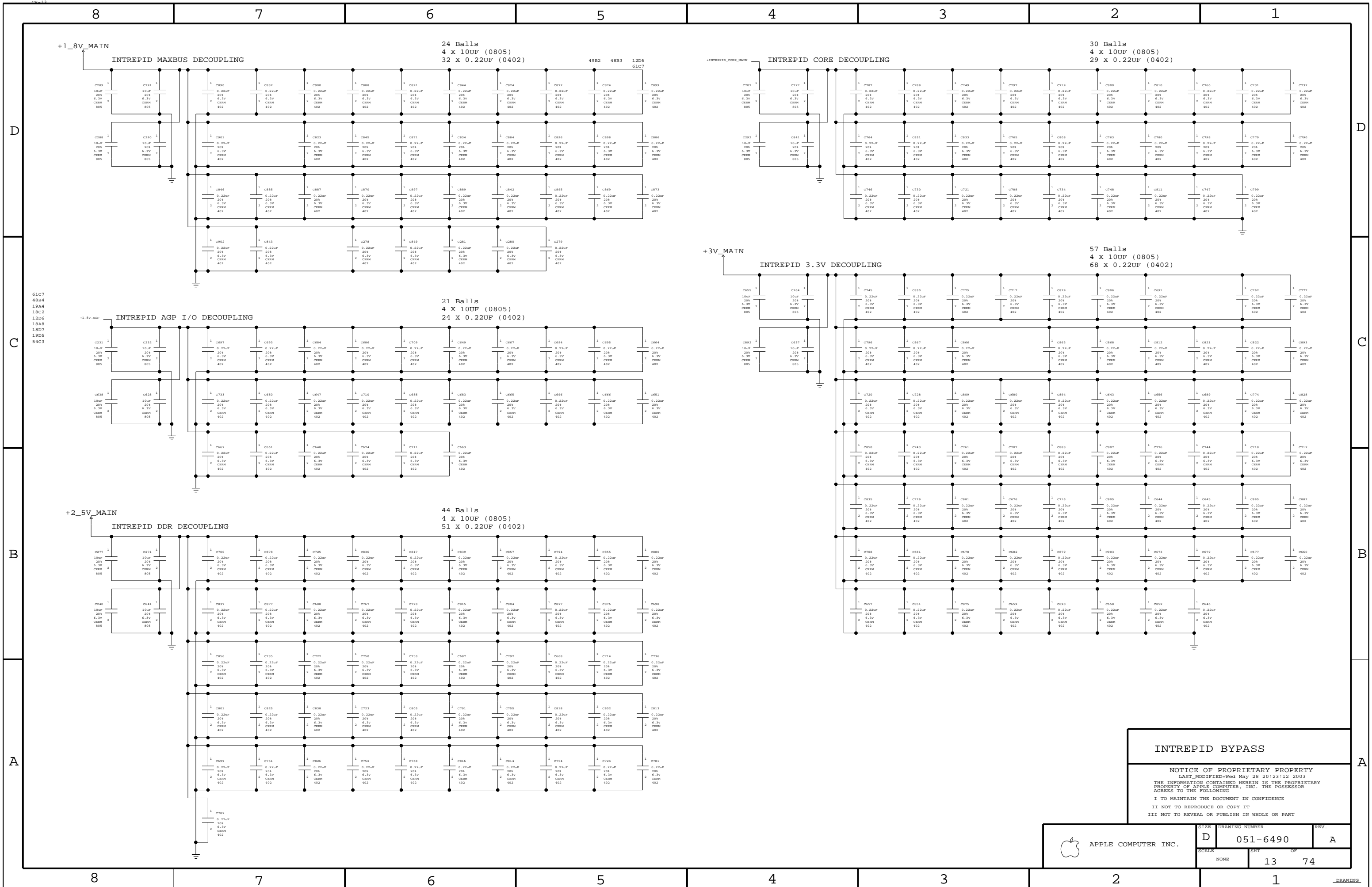
INTREPID VERSION SUPPORT

PART NUMBER	QTY	DESCRIPTION	REFERENCE DES	CRITICAL	BOM OPTION
34380198	1	IC,ASIC,INTREPID,V1.X	U25		INT_V1
34380211	1	IC,ASIC,INTREPID,V2.1	U25		INT_V2

INTREPID POWER

NOTICE OF PROPRIETARY PROPERTY
 LAST MODIFIED: Wed May 28 20:23:09 2003
 THE INFORMATION CONTAINED HEREIN IS THE PROPRIETARY PROPERTY OF APPLE COMPUTER, INC. THE POSSESSOR AGREES TO THE FOLLOWING
 I TO MAINTAIN THE DOCUMENT IN CONFIDENCE
 II NOT TO REPRODUCE OR COPY IT
 III NOT TO REVEAL OR PUBLISH IN WHOLE OR PART

APPLE COMPUTER INC.	SIZE	DRAWING NUMBER	REV.
	D	051-6490	A
SCALE	SHT	OF	
NONE	12	74	



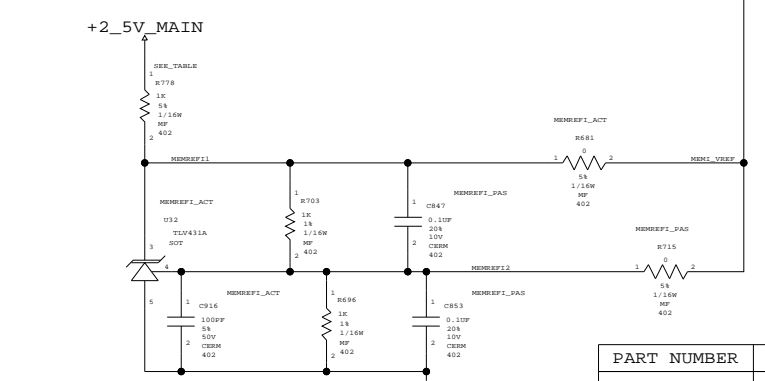
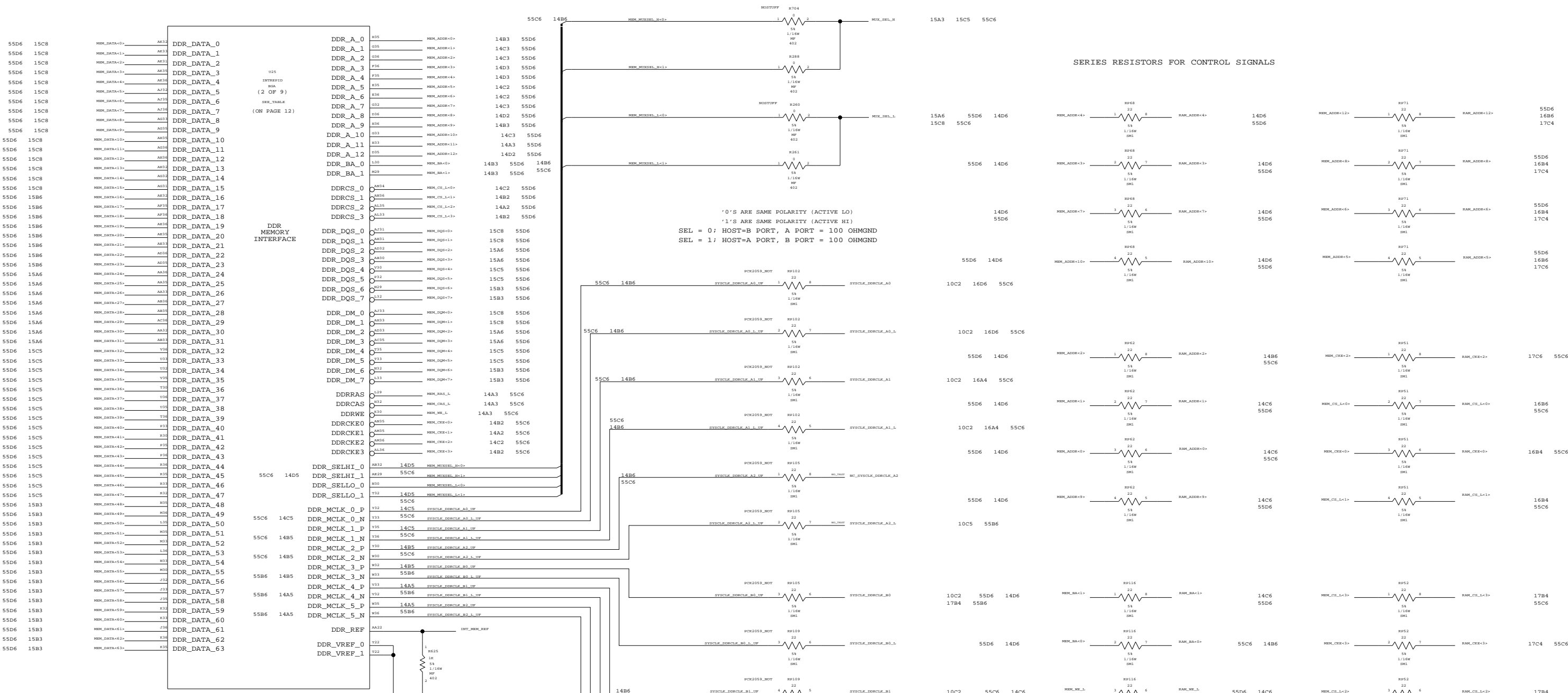
INTREPID BYPASS

NOTICE OF PROPRIETARY PROPERTY
 LAST MODIFIED=Wed May 26 20:23:12 2003
 THE INFORMATION CONTAINED HEREIN IS THE PROPRIETARY
 PROPERTY OF APPLE COMPUTER, INC. THE POSSESSOR
 AGREES TO THE FOLLOWING

I TO MAINTAIN THE DOCUMENT IN CONFIDENCE
 II NOT TO REPRODUCE OR COPY IT
 III NOT TO REVEAL OR PUBLISH IN WHOLE OR PART

APPLE COMPUTER INC.	SIZE D	DRAWING NUMBER 051-6490	REV. A
	SCALE NONE	SHEET 13	OF 74

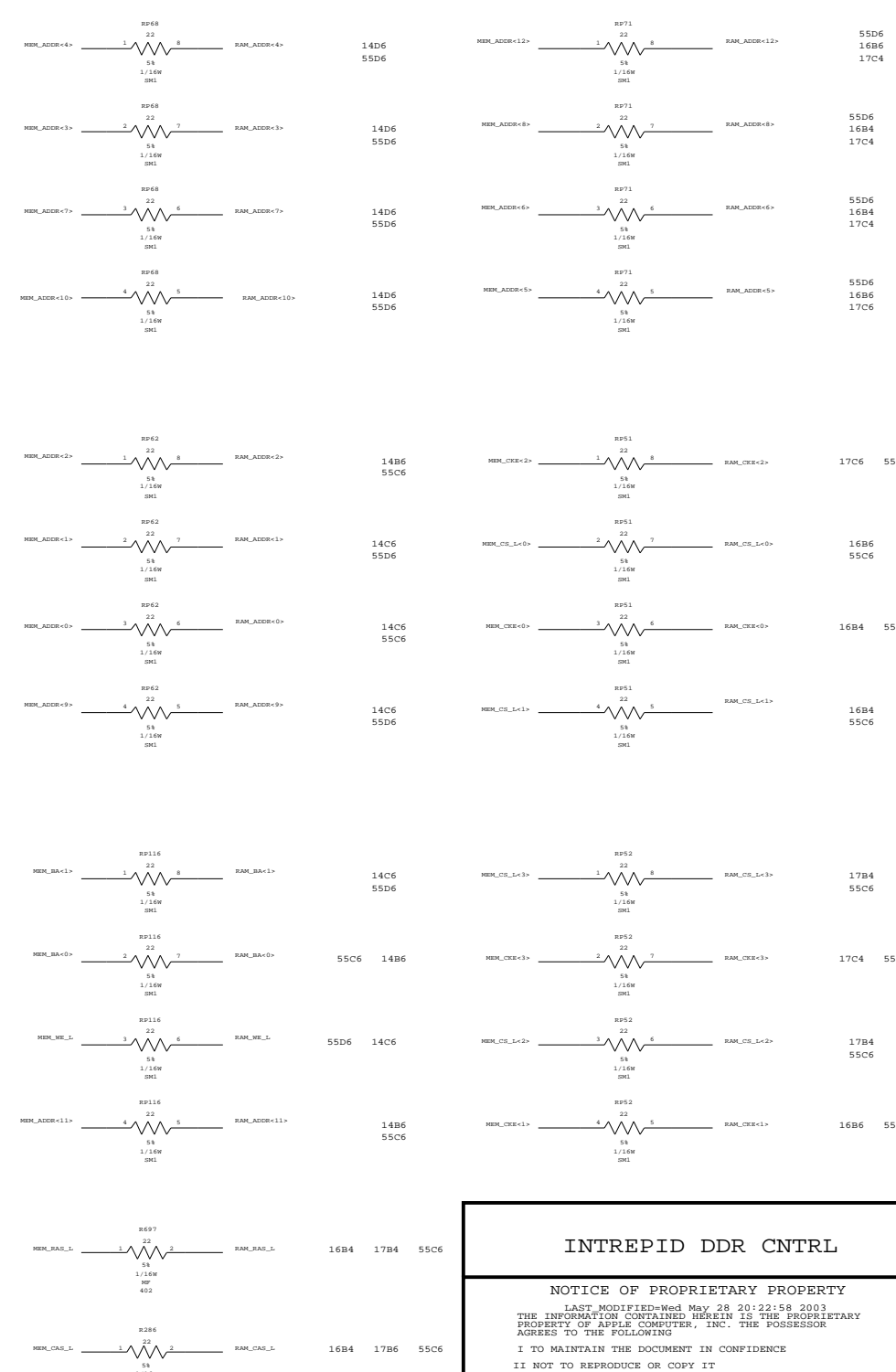
DDR MUX CONNECTIONS
0-ohm resistors to allow
rewiring if necessary



INTREPID DDR MEMORY REFERENCE SUPPORT

PART NUMBER	QTY	DESCRIPTION	REFERENCE DES	CRITICAL	BOM OPTION
116G1103	1	RES, 1K-OHM, 5%, 1/16W, 0402	R778		MEMREF1_ACT
116S1000	1	RES, 0-OHM, 5%, 1/16W, 0402	R778		MEMREF1_PAS

SERIES RESISTORS FOR CONTROL SIGNALS



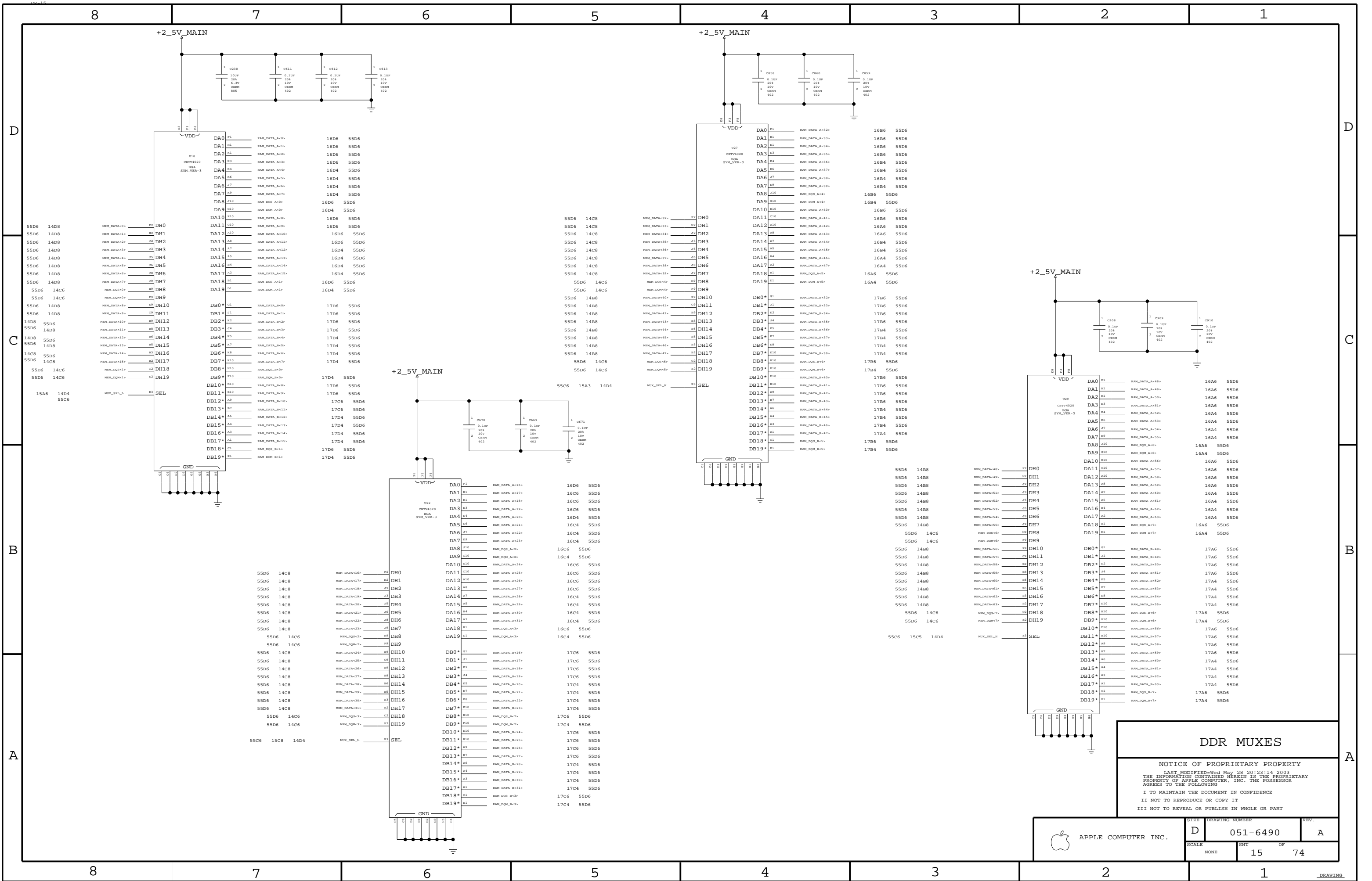
'0'S ARE SAME POLARITY (ACTIVE LO)
'1'S ARE SAME POLARITY (ACTIVE HI)
SEL = 0; HOST=B PORT, A PORT = 100 OHMGND
SEL = 1; HOST=A PORT, B PORT = 100 OHMGND

INTREPID DDR CNTRL

NOTICE OF PROPRIETARY PROPERTY
LAST MODIFIED: Wed May 28 20:22:58 2003
THE INFORMATION CONTAINED HEREIN IS THE PROPRIETARY
PROPERTY OF APPLE COMPUTER, INC. THE POSSESSOR
AGREES TO THE FOLLOWING
I TO MAINTAIN THE DOCUMENT IN CONFIDENCE
II NOT TO REPRODUCE OR COPY IT
III NOT TO REVEAL OR PUBLISH IN WHOLE OR PART

APPLE COMPUTER INC.

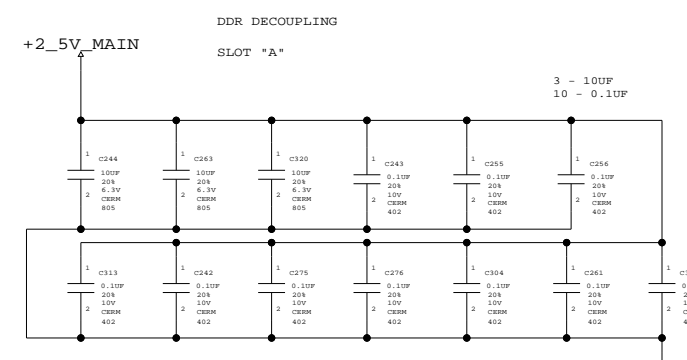
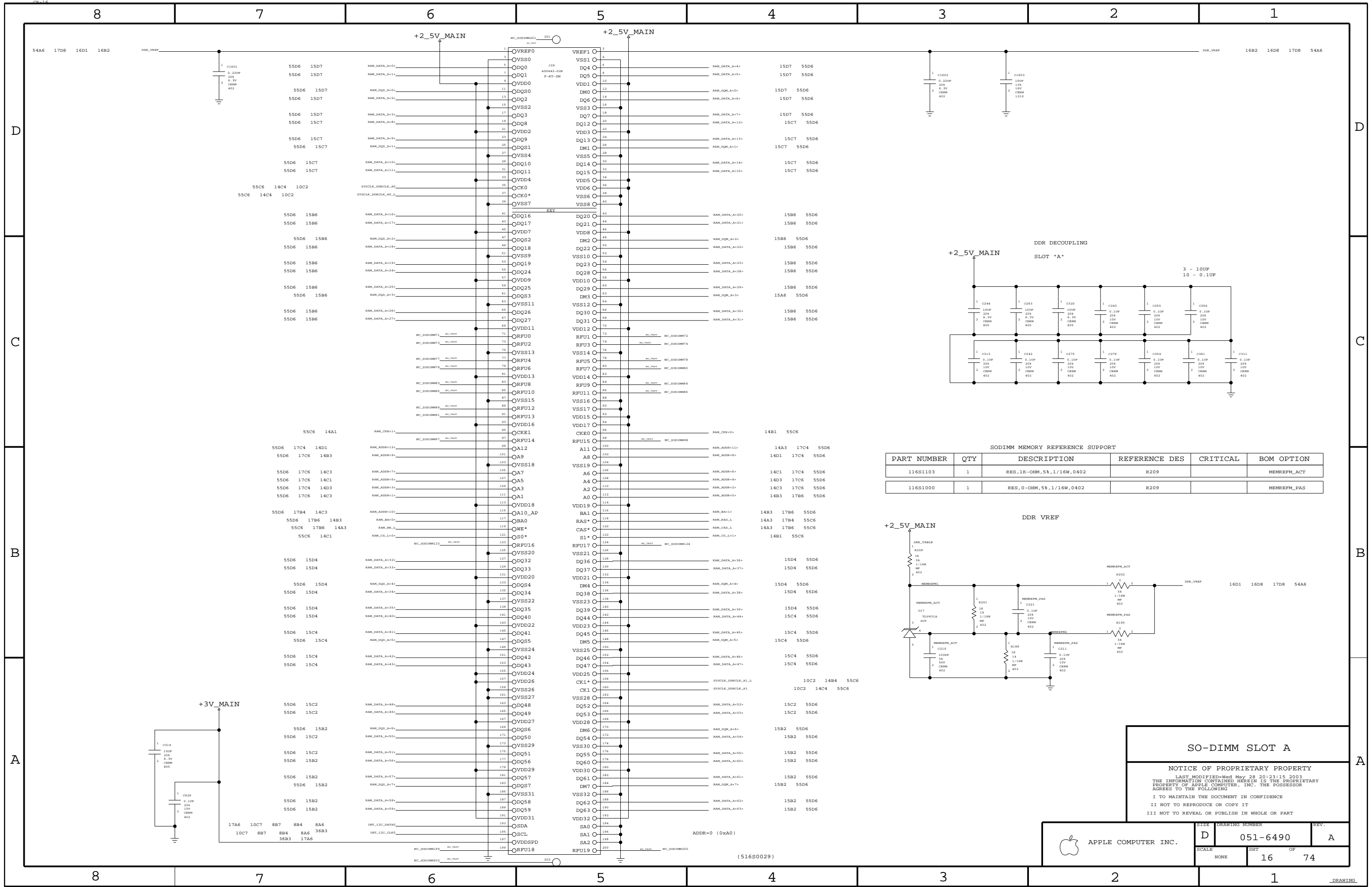
SIZE	DRAWING NUMBER	REV.
D	051-6490	A
SCALE	SHT	OF
NONE	14	74



DDR MUXES

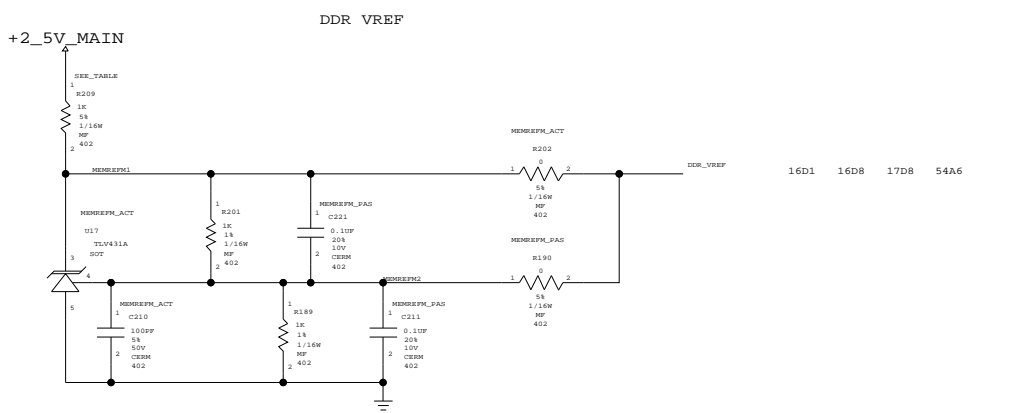
NOTICE OF PROPRIETARY PROPERTY
 LAST MODIFIED: Wed May 28 20:23:14 2003
 THE INFORMATION CONTAINED HEREIN IS THE PROPRIETARY
 PROPERTY OF APPLE COMPUTER, INC. THE POSSESSOR
 AGREES TO THE FOLLOWING:
 I TO MAINTAIN THE DOCUMENT IN CONFIDENCE
 II NOT TO REPRODUCE OR COPY IT
 III NOT TO REVEAL OR PUBLISH IN WHOLE OR PART

APPLE COMPUTER INC.	SIZE D	DRAWING NUMBER 051-6490	REV. A
	SCALE NONE	SHEET 15	OF 74



SODIMM MEMORY REFERENCE SUPPORT

PART NUMBER	QTY	DESCRIPTION	REFERENCE DES	CRITICAL	BOM OPTION
116S1103	1	RES, 1K-OHM, 5%, 1/16W, 0402	R209		MEMREFM_ACT
116S1000	1	RES, 0-OHM, 5%, 1/16W, 0402	R209		MEMREFM_PAS



SO-DIMM SLOT A

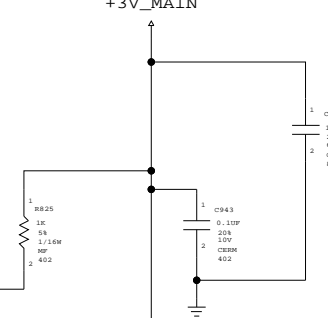
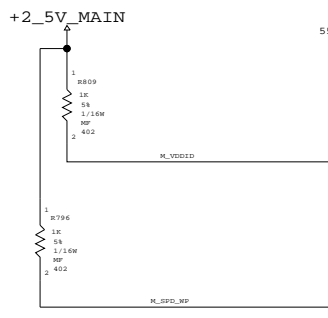
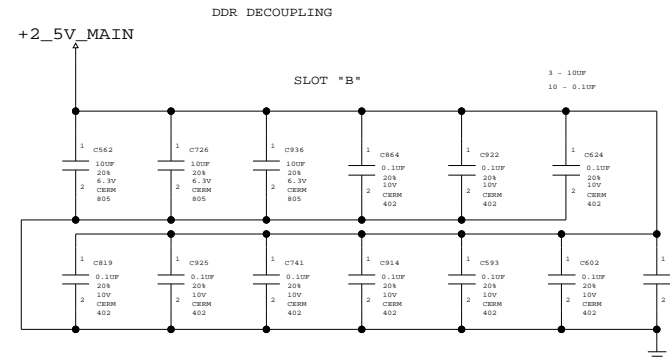
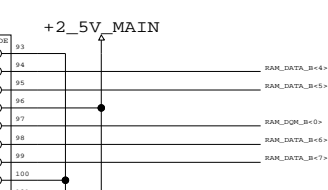
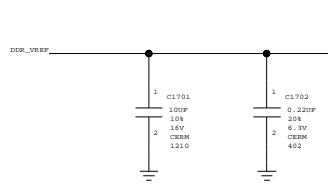
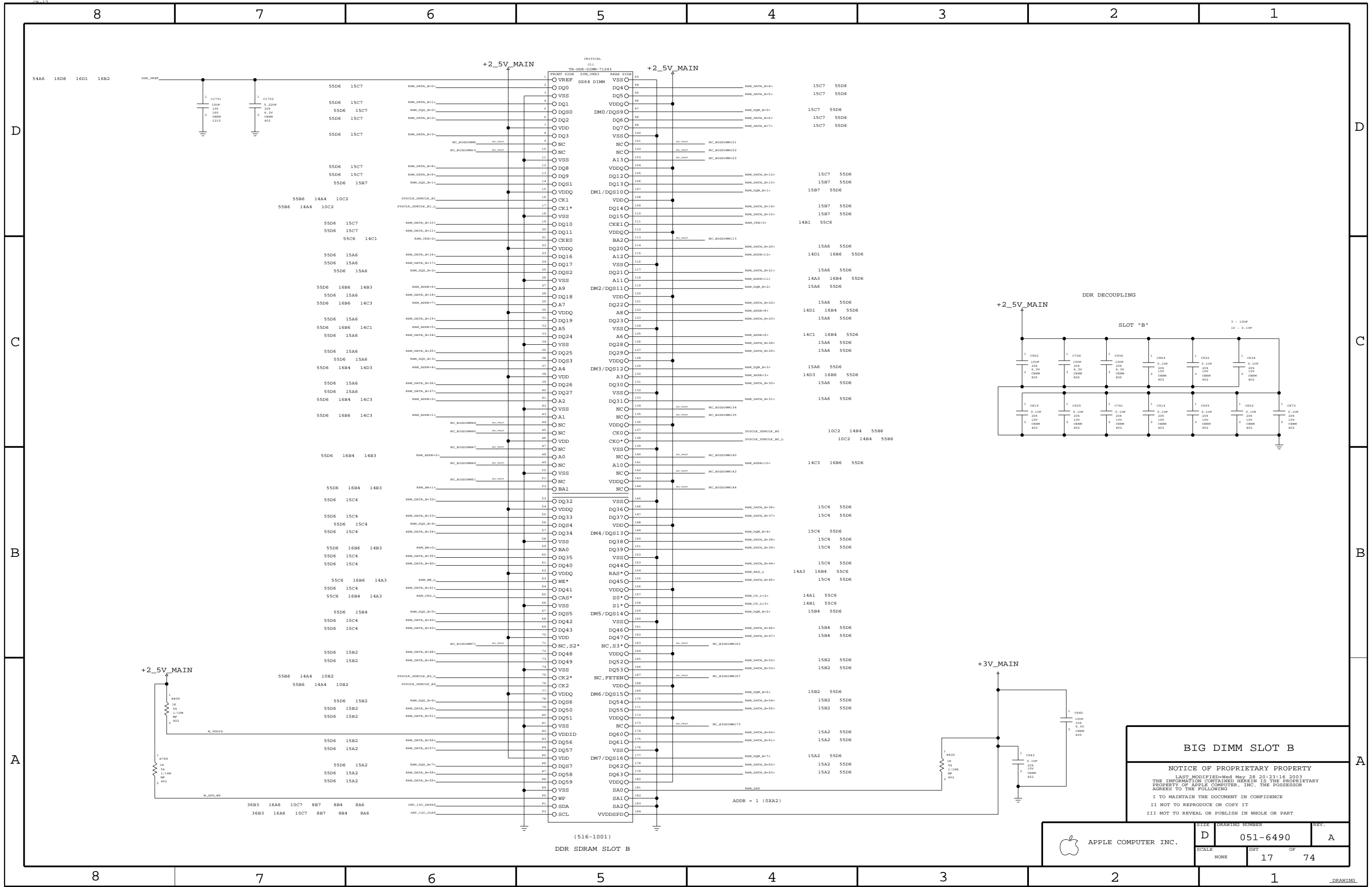
NOTICE OF PROPRIETARY PROPERTY

LAST MODIFIED: Wed May 28 20:23:15 2003
 THE INFORMATION CONTAINED HEREIN IS THE PROPRIETARY PROPERTY OF APPLE COMPUTER, INC. THE POSSESSOR AGREES TO THE FOLLOWING:

I TO MAINTAIN THE DOCUMENT IN CONFIDENCE
 II NOT TO REPRODUCE OR COPY IT
 III NOT TO REVEAL OR PUBLISH IN WHOLE OR PART

APPLE COMPUTER INC.	SIZE	DRAWING NUMBER	REV.
	D	051-6490	A
SCALE	SHT	OF	
NONE	16	74	

(516S0029)



CRITICAL
J11
TH-DDR-DIMM-71243

Pin	Signal	Pin	Signal
1	VREF	93	VSSO
2	DQ0	94	DQ4
3	VSS	95	DQ5
4	DQ1	96	VDDQ
5	DQ2	97	DQ6
6	DQ3	98	DQ7
7	VDD	99	VSS
8	NC	100	NC
9	NC	101	NC
10	NC	102	NC
11	VSS	103	NC
12	DQ8	104	VDDQ
13	DQ9	105	DQ12
14	DQ10	106	DQ13
15	VDDQ	107	DQ14
16	CK1	108	VDD
17	CK1*	109	DQ15
18	VSS	110	DQ16
19	DQ11	111	CKE1
20	DQ12	112	VDDQ
21	CKE0	113	BA2
22	VDDQ	114	DQ20
23	DQ16	115	A12
24	DQ17	116	VSS
25	DQ18	117	DQ21
26	VSS	118	A11
27	A9	119	DQ22
28	DQ18	120	VDD
29	A7	121	DQ23
30	VDDQ	122	A8
31	DQ19	123	VSS
32	A5	124	DQ24
33	DQ24	125	A6
34	VSS	126	DQ28
35	DQ25	127	DQ29
36	DQ26	128	VDDQ
37	DQ27	129	A4
38	VDD	130	A3
39	DQ26	131	DQ30
40	DQ27	132	VSS
41	A2	133	DQ31
42	VSS	134	NC
43	A1	135	NC
44	NC	136	VDDQ
45	NC	137	CK0
46	VDD	138	CK0*
47	NC	139	VSS
48	A0	140	NC
49	NC	141	NC
50	VSS	142	NC
51	NC	143	VDDQ
52	BA1	144	NC
53	DQ32	145	VSS
54	DQ33	146	VDDQ
55	DQ34	147	DQ37
56	VDD	148	VDDQ
57	DQ34	149	DQ38
58	VSS	150	DQ39
59	BA0	151	VSS
60	DQ35	152	DQ40
61	DQ36	153	RAS*
62	VDDQ	154	DQ45
63	WE*	155	DQ46
64	DQ41	156	VDDQ
65	CAS*	157	S0*
66	VSS	158	S1*
67	DQ55	159	DQ55
68	DQ42	160	VSS
69	DQ43	161	DQ46
70	VDD	162	DQ47
71	NC, S2*	163	VDD
72	DQ48	164	NC, S3*
73	DQ49	165	VDDQ
74	VSS	166	DQ52
75	CK2*	167	DQ53
76	CK2	168	VSS
77	VDDQ	169	VDD
78	DQ56	170	DQ54
79	DQ57	171	DQ55
80	VDD	172	VDDQ
81	VSS	173	NC
82	VDDID	174	NC
83	DQ56	175	DQ60
84	DQ57	176	DQ61
85	VDD	177	VSS
86	DQ57	178	DQ62
87	DQ58	179	DQ63
88	DQ59	180	VDDQ
89	VSS	181	SA0
90	NP	182	SA1
91	SDA	183	SA2
92	SCL	184	VVDDSPD

(516-1001)
DDR SDRAM SLOT B

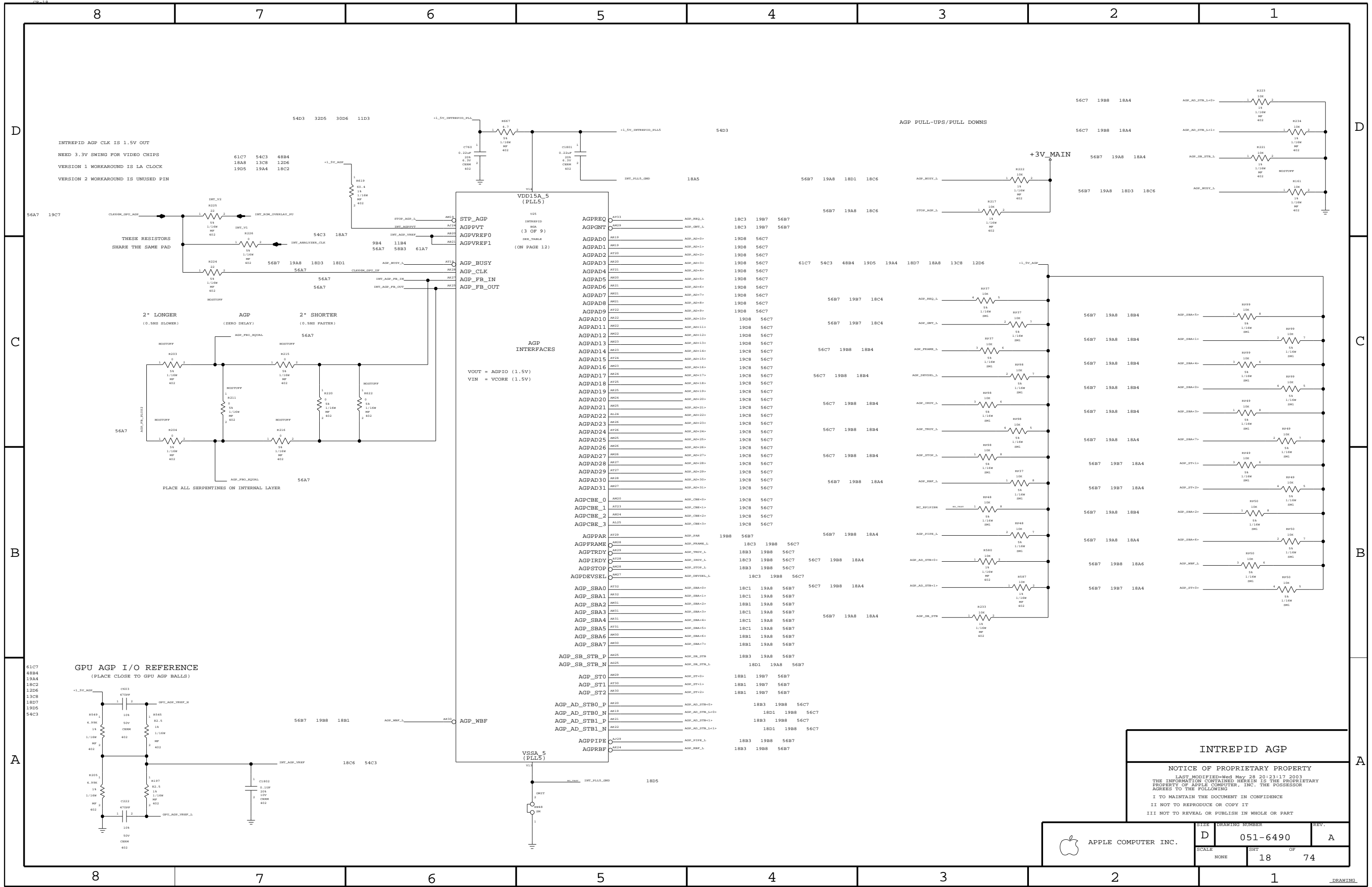
BIG DIMM SLOT B

NOTICE OF PROPRIETARY PROPERTY

LAST MODIFIED: Wed May 28 20:23:16 2003
 THE INFORMATION CONTAINED HEREIN IS THE PROPRIETARY
 PROPERTY OF APPLE COMPUTER, INC. THE POSSESSOR
 AGREES TO THE FOLLOWING

I TO MAINTAIN THE DOCUMENT IN CONFIDENCE
 II NOT TO REPRODUCE OR COPY IT
 III NOT TO REVEAL OR PUBLISH IN WHOLE OR PART

APPLE COMPUTER INC.	SIZE	DRAWING NUMBER	REV.
	D	051-6490	A
SCALE	SHT	OF	
NONE	17	74	



INTREPID AGP CLK IS 1.5V OUT
 NEED 3.3V SWING FOR VIDEO CHIPS
 VERSION 1 WORKAROUND IS LA CLOCK
 VERSION 2 WORKAROUND IS UNUSED PIN

THESE RESISTORS
 SHARE THE SAME PAD

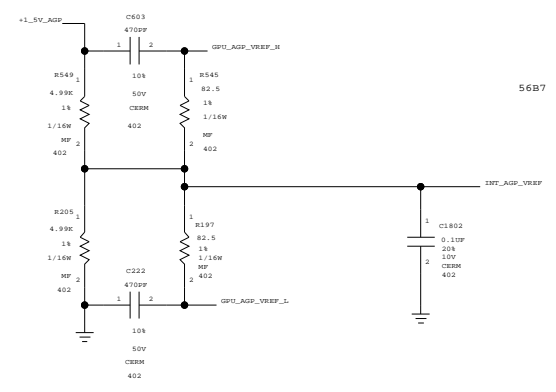
2* LONGER
 (0.5NS SLOWER)

AGP
 (ZERO DELAY)

2* SHORTER
 (0.5NS FASTER)

PLACE ALL SERPENTINES ON INTERNAL LAYER

GPU AGP I/O REFERENCE
 (PLACE CLOSE TO GPU AGP BALLS)

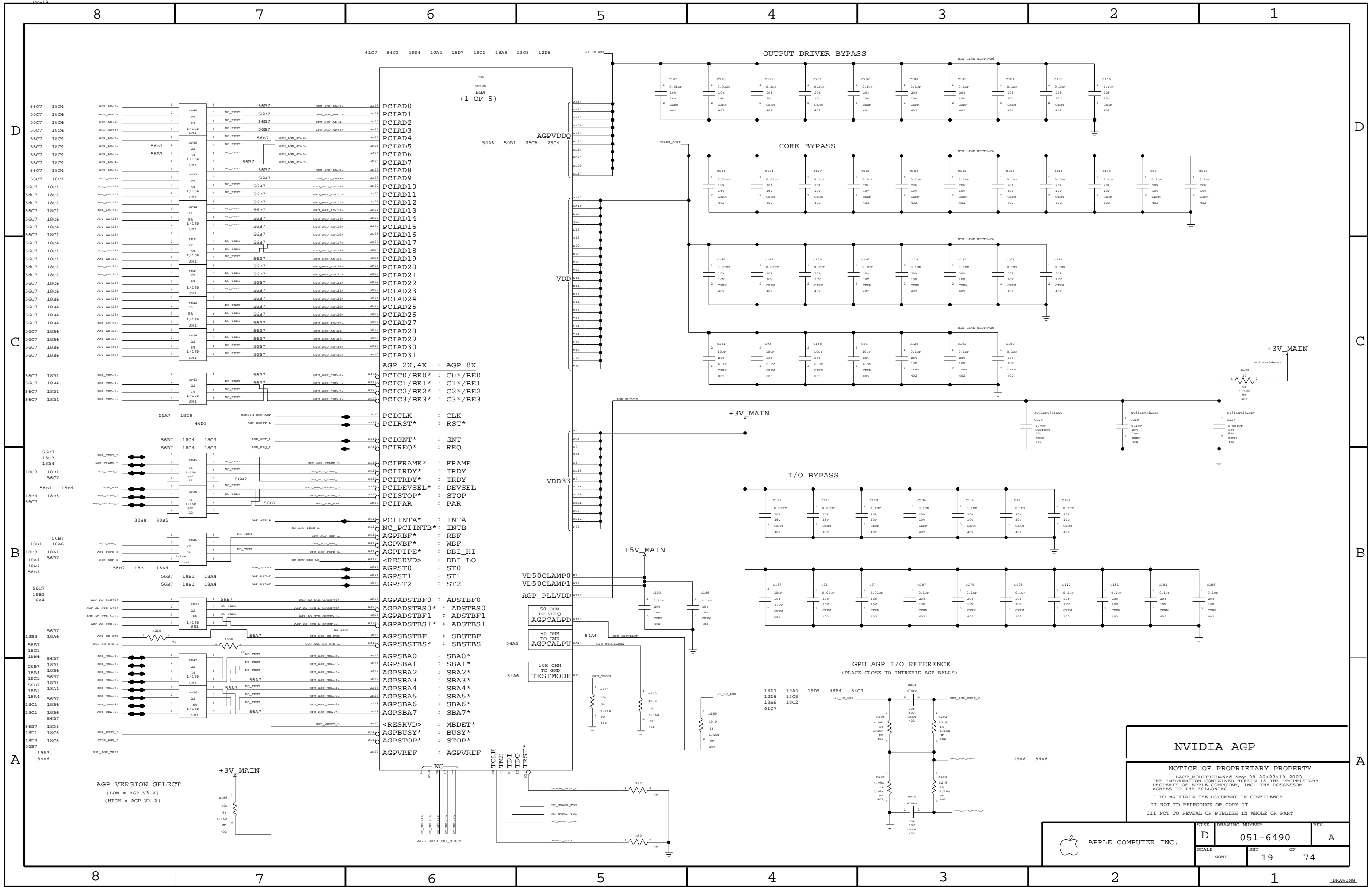


AGP INTERFACES
 VOUT = AGPIO (1.5V)
 VIN = VCORE (1.5V)

AGP SIGNAL	AGP SIGNAL	AGP SIGNAL	AGP SIGNAL
AGPREQ	AGP_FB_IN	AGP_FB_OUT	AGP_FB_OUT
AGPGNT	AGP_FB_IN	AGP_FB_OUT	AGP_FB_OUT
AGPAD0	AGP_FB_IN	AGP_FB_OUT	AGP_FB_OUT
AGPAD1	AGP_FB_IN	AGP_FB_OUT	AGP_FB_OUT
AGPAD2	AGP_FB_IN	AGP_FB_OUT	AGP_FB_OUT
AGPAD3	AGP_FB_IN	AGP_FB_OUT	AGP_FB_OUT
AGPAD4	AGP_FB_IN	AGP_FB_OUT	AGP_FB_OUT
AGPAD5	AGP_FB_IN	AGP_FB_OUT	AGP_FB_OUT
AGPAD6	AGP_FB_IN	AGP_FB_OUT	AGP_FB_OUT
AGPAD7	AGP_FB_IN	AGP_FB_OUT	AGP_FB_OUT
AGPAD8	AGP_FB_IN	AGP_FB_OUT	AGP_FB_OUT
AGPAD9	AGP_FB_IN	AGP_FB_OUT	AGP_FB_OUT
AGPAD10	AGP_FB_IN	AGP_FB_OUT	AGP_FB_OUT
AGPAD11	AGP_FB_IN	AGP_FB_OUT	AGP_FB_OUT
AGPAD12	AGP_FB_IN	AGP_FB_OUT	AGP_FB_OUT
AGPAD13	AGP_FB_IN	AGP_FB_OUT	AGP_FB_OUT
AGPAD14	AGP_FB_IN	AGP_FB_OUT	AGP_FB_OUT
AGPAD15	AGP_FB_IN	AGP_FB_OUT	AGP_FB_OUT
AGPAD16	AGP_FB_IN	AGP_FB_OUT	AGP_FB_OUT
AGPAD17	AGP_FB_IN	AGP_FB_OUT	AGP_FB_OUT
AGPAD18	AGP_FB_IN	AGP_FB_OUT	AGP_FB_OUT
AGPAD19	AGP_FB_IN	AGP_FB_OUT	AGP_FB_OUT
AGPAD20	AGP_FB_IN	AGP_FB_OUT	AGP_FB_OUT
AGPAD21	AGP_FB_IN	AGP_FB_OUT	AGP_FB_OUT
AGPAD22	AGP_FB_IN	AGP_FB_OUT	AGP_FB_OUT
AGPAD23	AGP_FB_IN	AGP_FB_OUT	AGP_FB_OUT
AGPAD24	AGP_FB_IN	AGP_FB_OUT	AGP_FB_OUT
AGPAD25	AGP_FB_IN	AGP_FB_OUT	AGP_FB_OUT
AGPAD26	AGP_FB_IN	AGP_FB_OUT	AGP_FB_OUT
AGPAD27	AGP_FB_IN	AGP_FB_OUT	AGP_FB_OUT
AGPAD28	AGP_FB_IN	AGP_FB_OUT	AGP_FB_OUT
AGPAD29	AGP_FB_IN	AGP_FB_OUT	AGP_FB_OUT
AGPAD30	AGP_FB_IN	AGP_FB_OUT	AGP_FB_OUT
AGPAD31	AGP_FB_IN	AGP_FB_OUT	AGP_FB_OUT
AGPCBE_0	AGP_FB_IN	AGP_FB_OUT	AGP_FB_OUT
AGPCBE_1	AGP_FB_IN	AGP_FB_OUT	AGP_FB_OUT
AGPCBE_2	AGP_FB_IN	AGP_FB_OUT	AGP_FB_OUT
AGPCBE_3	AGP_FB_IN	AGP_FB_OUT	AGP_FB_OUT
AGPPAR	AGP_FB_IN	AGP_FB_OUT	AGP_FB_OUT
AGPFRAME	AGP_FB_IN	AGP_FB_OUT	AGP_FB_OUT
AGPTRDY	AGP_FB_IN	AGP_FB_OUT	AGP_FB_OUT
AGPIRDY	AGP_FB_IN	AGP_FB_OUT	AGP_FB_OUT
AGPSTOP	AGP_FB_IN	AGP_FB_OUT	AGP_FB_OUT
AGPDEVSEL	AGP_FB_IN	AGP_FB_OUT	AGP_FB_OUT
AGP_SBA0	AGP_FB_IN	AGP_FB_OUT	AGP_FB_OUT
AGP_SBA1	AGP_FB_IN	AGP_FB_OUT	AGP_FB_OUT
AGP_SBA2	AGP_FB_IN	AGP_FB_OUT	AGP_FB_OUT
AGP_SBA3	AGP_FB_IN	AGP_FB_OUT	AGP_FB_OUT
AGP_SBA4	AGP_FB_IN	AGP_FB_OUT	AGP_FB_OUT
AGP_SBA5	AGP_FB_IN	AGP_FB_OUT	AGP_FB_OUT
AGP_SBA6	AGP_FB_IN	AGP_FB_OUT	AGP_FB_OUT
AGP_SBA7	AGP_FB_IN	AGP_FB_OUT	AGP_FB_OUT
AGP_SB_STB_P	AGP_FB_IN	AGP_FB_OUT	AGP_FB_OUT
AGP_SB_STB_N	AGP_FB_IN	AGP_FB_OUT	AGP_FB_OUT
AGP_ST0	AGP_FB_IN	AGP_FB_OUT	AGP_FB_OUT
AGP_ST1	AGP_FB_IN	AGP_FB_OUT	AGP_FB_OUT
AGP_ST2	AGP_FB_IN	AGP_FB_OUT	AGP_FB_OUT
AGP_AD_STB0_P	AGP_FB_IN	AGP_FB_OUT	AGP_FB_OUT
AGP_AD_STB0_N	AGP_FB_IN	AGP_FB_OUT	AGP_FB_OUT
AGP_AD_STB1_P	AGP_FB_IN	AGP_FB_OUT	AGP_FB_OUT
AGP_AD_STB1_N	AGP_FB_IN	AGP_FB_OUT	AGP_FB_OUT
AGPPIBE	AGP_FB_IN	AGP_FB_OUT	AGP_FB_OUT
AGPRBF	AGP_FB_IN	AGP_FB_OUT	AGP_FB_OUT

INTREPID AGP
 NOTICE OF PROPRIETARY PROPERTY
 LAST MODIFIED: Wed May 28 20:23:17 2003
 THE INFORMATION CONTAINED HEREIN IS THE PROPRIETARY
 PROPERTY OF APPLE COMPUTER, INC. THE POSSESSOR
 AGREES TO THE FOLLOWING
 I TO MAINTAIN THE DOCUMENT IN CONFIDENCE
 II NOT TO REPRODUCE OR COPY IT
 III NOT TO REVEAL OR PUBLISH IN WHOLE OR PART

APPLE COMPUTER INC.	SIZE D	DRAWING NUMBER 051-6490	REV. A
	SCALE NONE	SHEET 18	OF 74



61C7 54C3 48B4 19A4 18D7 18C2 18A8 13C8 12D6

(1 OF 5)
AGPVDQ0 54A6 50B1 25C6 25C4

56C7 18C4	AGP_AD0*	1	RP40	8	NO_TEST	56B7	GPU_AGP_AD0*	A278	PCIAD0
56C7 18C4	AGP_AD1*	2	22	7	NO_TEST	56B7	GPU_AGP_AD1*	A278	PCIAD1
56C7 18C4	AGP_AD2*	3	5A	6	NO_TEST	56B7	GPU_AGP_AD2*	A277	PCIAD2
56C7 18C4	AGP_AD3*	4	1/16W	5	NO_TEST	56B7	GPU_AGP_AD3*	A277	PCIAD3
56C7 18C4	AGP_AD4*	1	SM1	8	NO_TEST	56B7	GPU_AGP_AD4*	A277	PCIAD4
56C7 18C4	AGP_AD5*	2	RP30	7	NO_TEST	56B7	GPU_AGP_AD5*	A276	PCIAD5
56C7 18C4	AGP_AD6*	3	22	6	NO_TEST	56B7	GPU_AGP_AD6*	A276	PCIAD6
56C7 18C4	AGP_AD7*	4	1/16W	5	NO_TEST	56B7	GPU_AGP_AD7*	A275	PCIAD7
56C7 18C4	AGP_AD8*	1	SM1	8	NO_TEST	56B7	GPU_AGP_AD8*	A275	PCIAD8
56C7 18C4	AGP_AD9*	2	RP32	7	NO_TEST	56B7	GPU_AGP_AD9*	A273	PCIAD9
56C7 18C4	AGP_AD10*	3	5A	6	NO_TEST	56B7	GPU_AGP_AD10*	A272	PCIAD10
56C7 18C4	AGP_AD11*	4	1/16W	5	NO_TEST	56B7	GPU_AGP_AD11*	A272	PCIAD11
56C7 18C4	AGP_AD12*	1	RP42	8	NO_TEST	56B7	GPU_AGP_AD12*	A271	PCIAD12
56C7 18C4	AGP_AD13*	2	22	7	NO_TEST	56B7	GPU_AGP_AD13*	A271	PCIAD13
56C7 18C4	AGP_AD14*	3	5A	6	NO_TEST	56B7	GPU_AGP_AD14*	A270	PCIAD14
56C7 18C4	AGP_AD15*	4	1/16W	5	NO_TEST	56B7	GPU_AGP_AD15*	A270	PCIAD15
56C7 18C4	AGP_AD16*	1	SM1	8	NO_TEST	56B7	GPU_AGP_AD16*	A266	PCIAD16
56C7 18C4	AGP_AD17*	2	RP31	7	NO_TEST	56B7	GPU_AGP_AD17*	A274	PCIAD17
56C7 18C4	AGP_AD18*	3	22	6	NO_TEST	56B7	GPU_AGP_AD18*	A273	PCIAD18
56C7 18C4	AGP_AD19*	4	1/16W	5	NO_TEST	56B7	GPU_AGP_AD19*	A274	PCIAD19
56C7 18C4	AGP_AD20*	1	SM1	8	NO_TEST	56B7	GPU_AGP_AD20*	A274	PCIAD20
56C7 18C4	AGP_AD21*	2	RP41	7	NO_TEST	56B7	GPU_AGP_AD21*	A273	PCIAD21
56C7 18C4	AGP_AD22*	3	5A	6	NO_TEST	56B7	GPU_AGP_AD22*	A272	PCIAD22
56C7 18C4	AGP_AD23*	4	1/16W	5	NO_TEST	56B7	GPU_AGP_AD23*	A272	PCIAD23
56C7 18B4	AGP_AD24*	1	RP44	8	NO_TEST	56B7	GPU_AGP_AD24*	A271	PCIAD24
56C7 18B4	AGP_AD25*	2	22	7	NO_TEST	56B7	GPU_AGP_AD25*	A270	PCIAD25
56C7 18B4	AGP_AD26*	3	5A	6	NO_TEST	56B7	GPU_AGP_AD26*	A269	PCIAD26
56C7 18B4	AGP_AD27*	4	1/16W	5	NO_TEST	56B7	GPU_AGP_AD27*	A269	PCIAD27
56C7 18B4	AGP_AD28*	1	SM1	8	NO_TEST	56B7	GPU_AGP_AD28*	A269	PCIAD28
56C7 18B4	AGP_AD29*	2	RP34	7	NO_TEST	56B7	GPU_AGP_AD29*	A268	PCIAD29
56C7 18B4	AGP_AD30*	3	22	6	NO_TEST	56B7	GPU_AGP_AD30*	A268	PCIAD30
56C7 18B4	AGP_AD31*	4	1/16W	5	NO_TEST	56B7	GPU_AGP_AD31*	A268	PCIAD31

AGP 2X, 4X : AGP 8X
 PCIC0/BE0* : C0*/BE0
 PCIC1/BE1* : C1*/BE1
 PCIC2/BE2* : C2*/BE2
 PCIC3/BE3* : C3*/BE3

PCICLK : CLK
 PCIRST* : RST*
 PCIGNT* : GNT
 PCIREQ* : REQ
 PCIFRAME* : FRAME
 PCIIRDY* : IRDY
 PCITRDY* : TRDY
 PCIDEVSEL* : DEVSEL
 PCISTOP* : STOP
 PCIPAR : PAR

PCIINTA* : INTA
 NC_PCIINTB* : INTB
 AGPRBF* : RBF
 AGPWF* : WBF
 AGPPPE* : DBI_HI
 <RESRVD> : DBI_LO
 AGPST0 : ST0
 AGPST1 : ST1
 AGPST2 : ST2

AGPADSTBF0 : ADSTBF0
 AGPADSTBS0* : ADSTBS0
 AGPADSTBF1 : ADSTBF1
 AGPADSTBS1* : ADSTBS1
 AGPSBSTBF : SBSTBF
 AGPSBSTBS* : SBSTBS

AGPSBA0 : SBA0*
 AGPSBA1 : SBA1*
 AGPSBA2 : SBA2*
 AGPSBA3 : SBA3*
 AGPSBA4 : SBA4*
 AGPSBA5 : SBA5*
 AGPSBA6 : SBA6*
 AGPSBA7 : SBA7*
 <RESRVD> : MBDET*
 AGPBUSY* : BUSY*
 AGPSTOP* : STOP*
 AGPVREF : AGPVREF

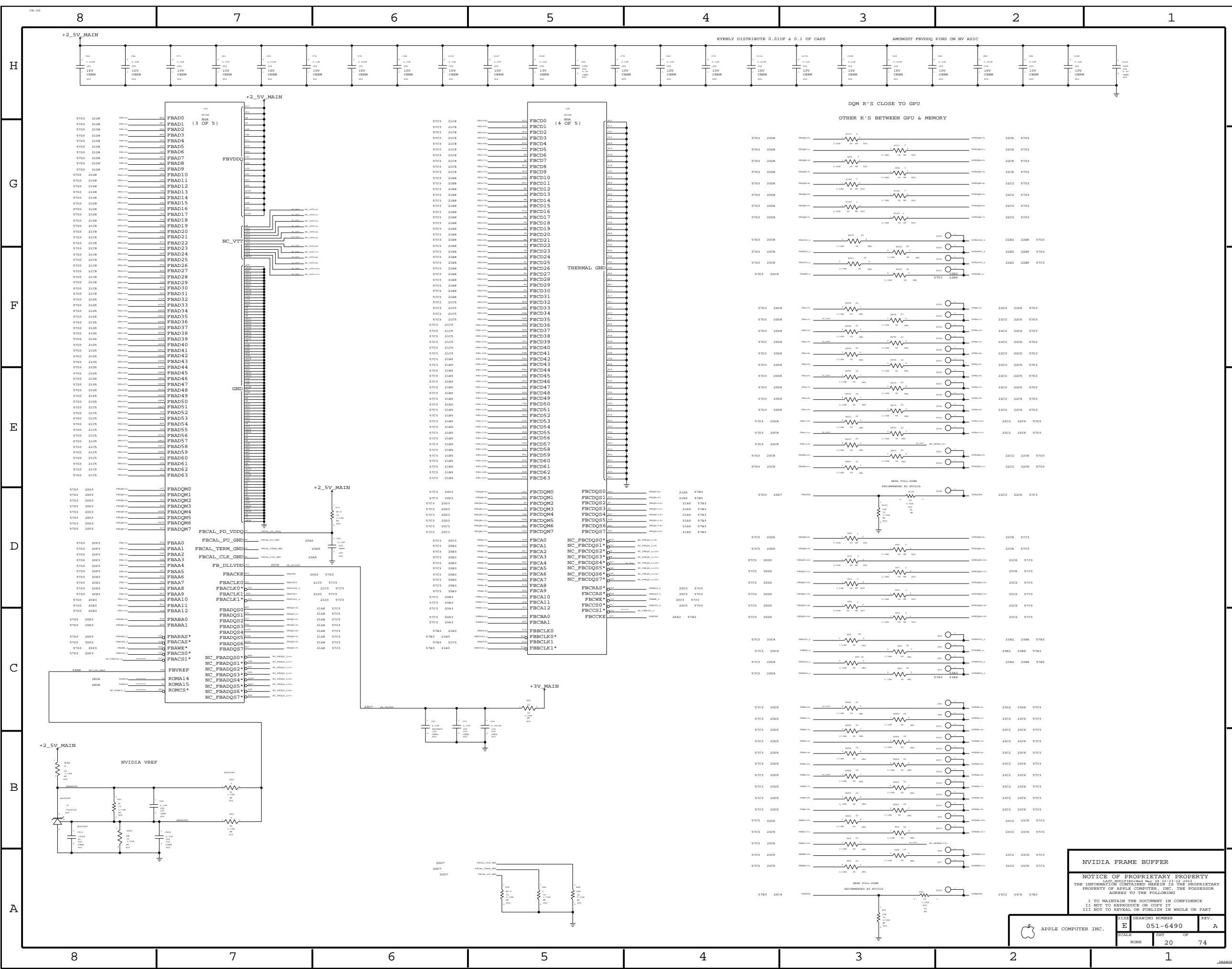
AGP VERSION SELECT
 (LOW = AGP V3.X)
 (HIGH = AGP V2.X)

NVIDIA AGP
 NOTICE OF PROPRIETARY PROPERTY
 LAST MODIFIED: Wed May 28 20:23:19 2003
 THE INFORMATION CONTAINED HEREIN IS THE PROPRIETARY
 PROPERTY OF APPLE COMPUTER, INC. THE POSSESSOR
 AGREES TO THE FOLLOWING
 I TO MAINTAIN THE DOCUMENT IN CONFIDENCE
 II NOT TO REPRODUCE OR COPY IT
 III NOT TO REVEAL OR PUBLISH IN WHOLE OR PART

SCALE	DRAWING NUMBER	REV.
NONE	051-6490	A
SCALE	SHT	OF
19	19	74



APPLE COMPUTER INC.



NVIDIA FRAME BUFFER
 NOTICE OF PROPRIETARY PROPERTY
 THIS DOCUMENT CONTAINS PROPRIETARY INFORMATION OF NVIDIA CORPORATION. THE INFORMATION CONTAINED HEREIN IS THE PROPRIETARY PROPERTY OF NVIDIA CORPORATION, INC. THE POSSESSOR AGREES TO THE FOLLOWING:
 I TO MAINTAIN THIS DOCUMENT IN CONFIDENCE
 I NOT TO REPRODUCE OR COPY IT
 I NOT TO REVEAL OR PUBLISH IN WHOLE OR PART

PLACE R'S BETWEEN GPU & MEMORY

PLACE R'S CLOSE TO GPU

D

D

C

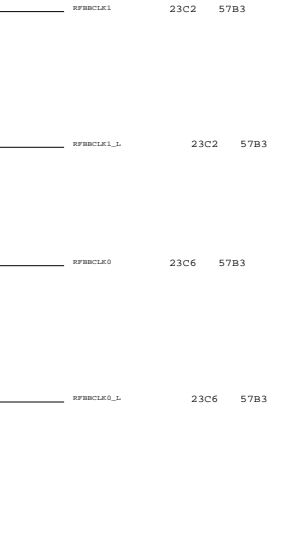
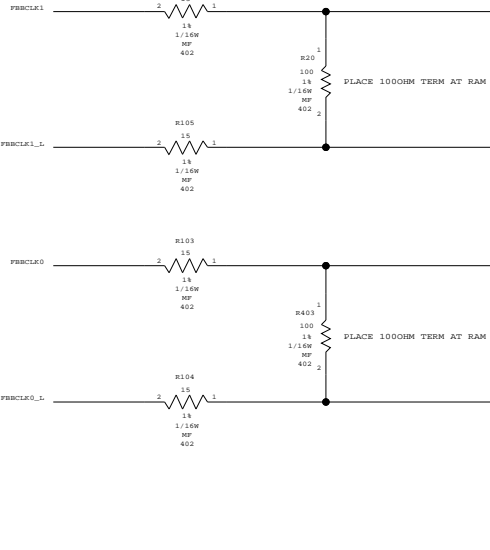
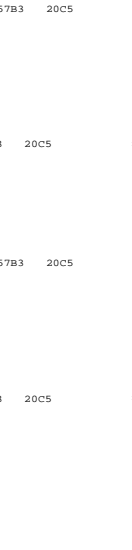
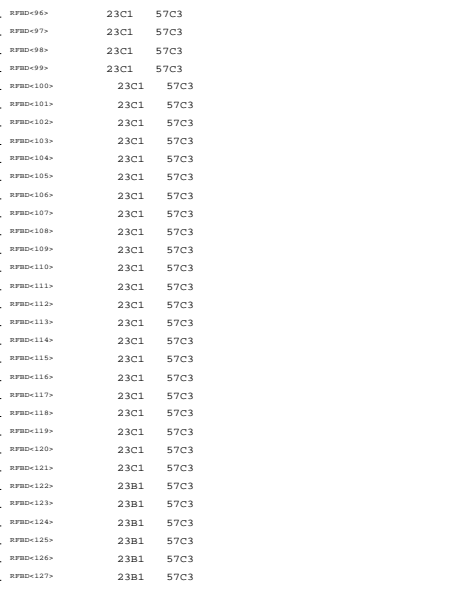
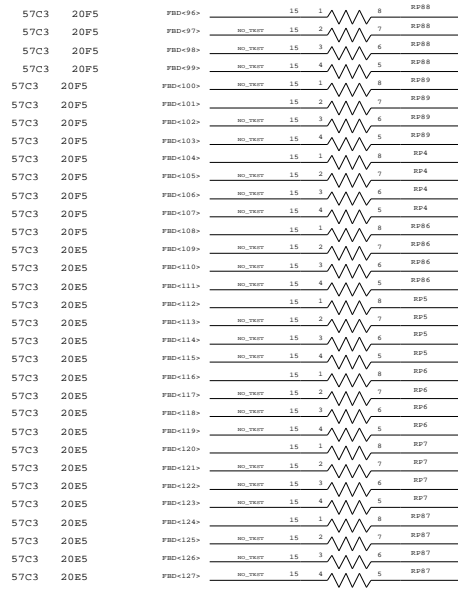
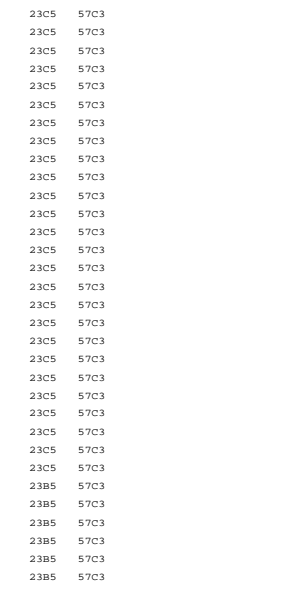
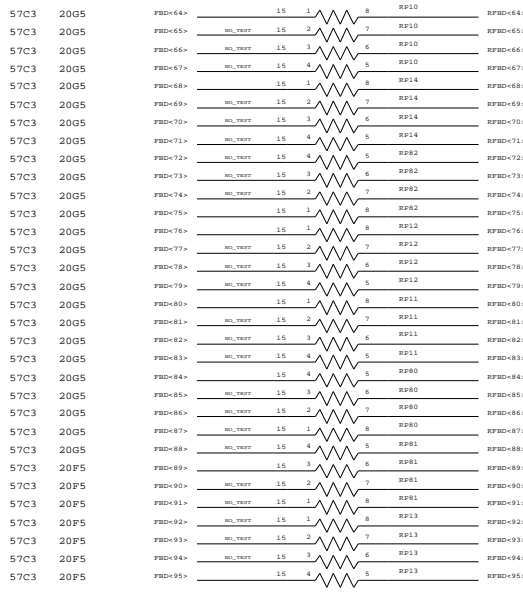
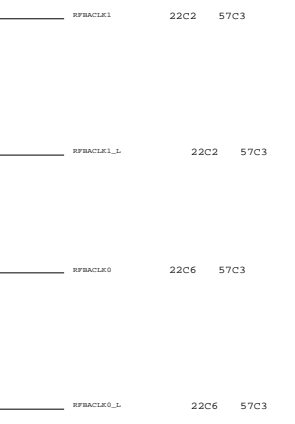
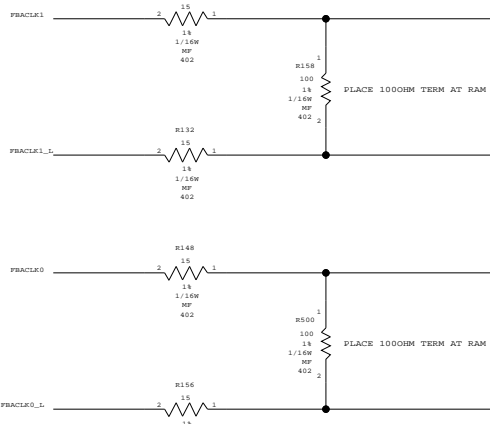
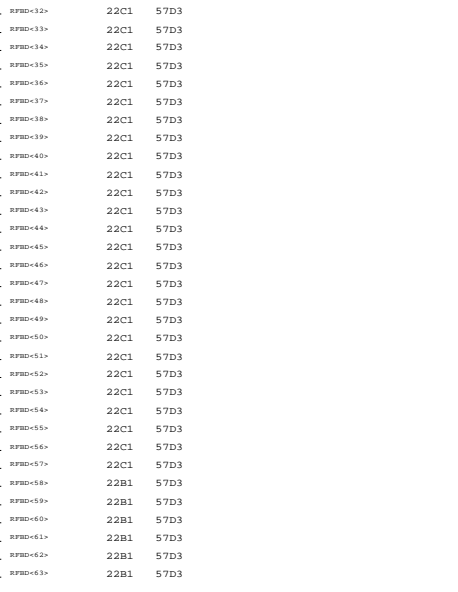
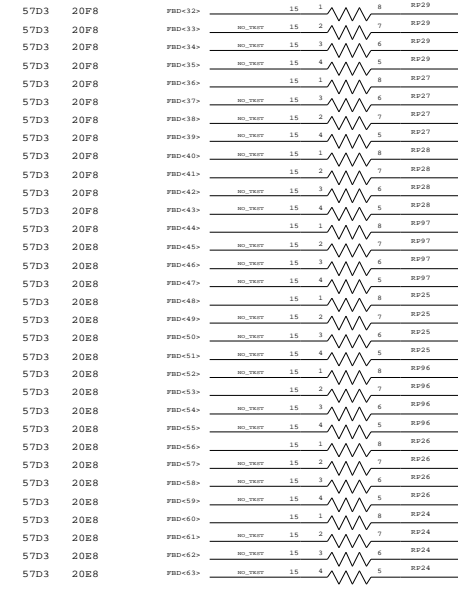
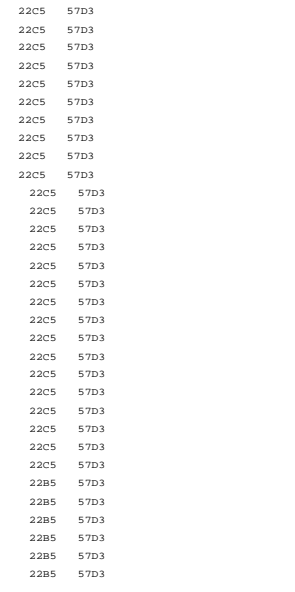
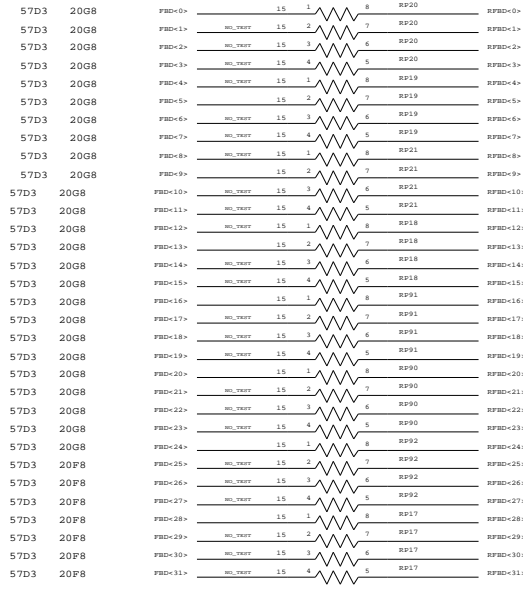
C

B

B

A

A

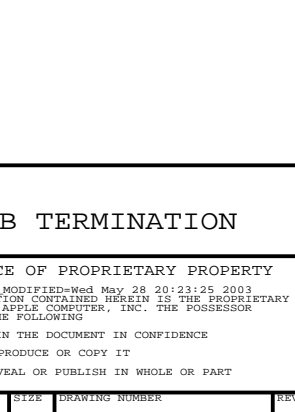
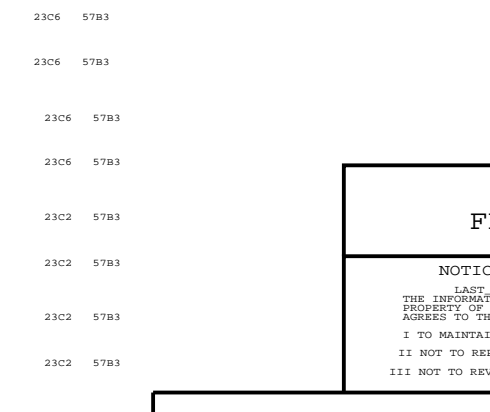
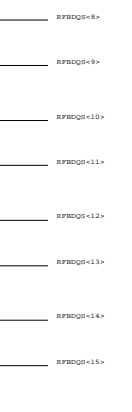
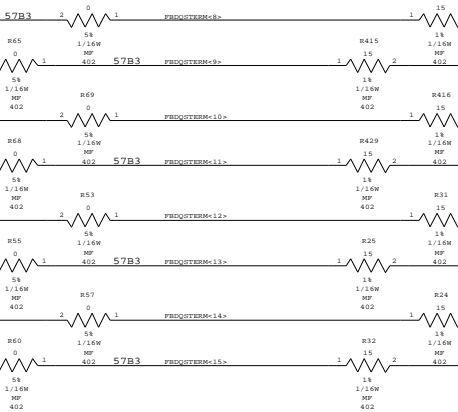
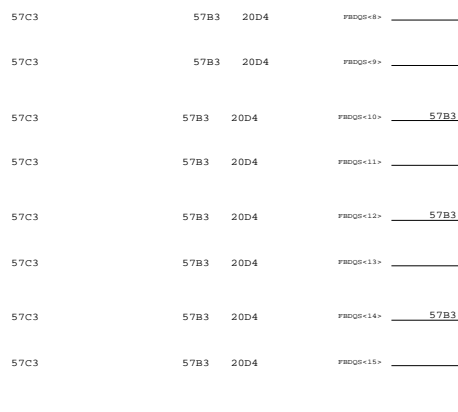
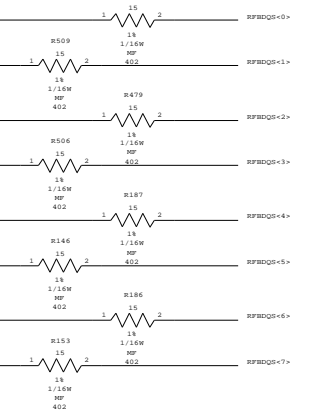
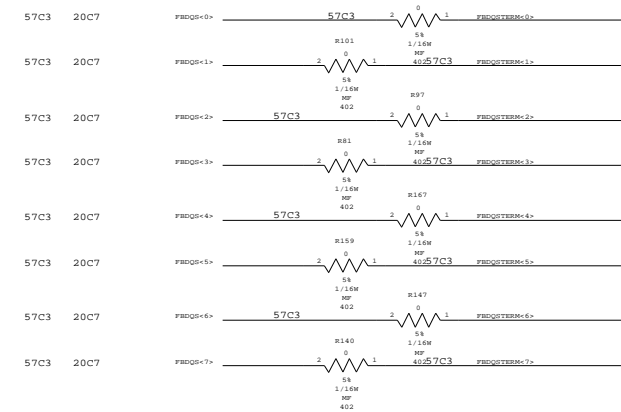


PLACE THESE R CLOSE TO GPU

PLACE THESE R CLOSE TO SGRAM

PLACE THESE R CLOSE TO GPU

PLACE THESE R CLOSE TO SGRAM



F'B TERMINATION

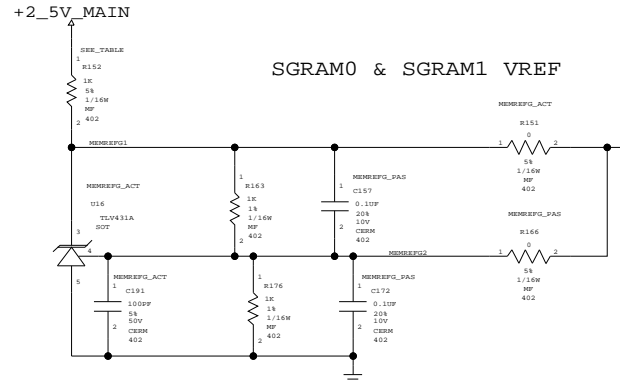
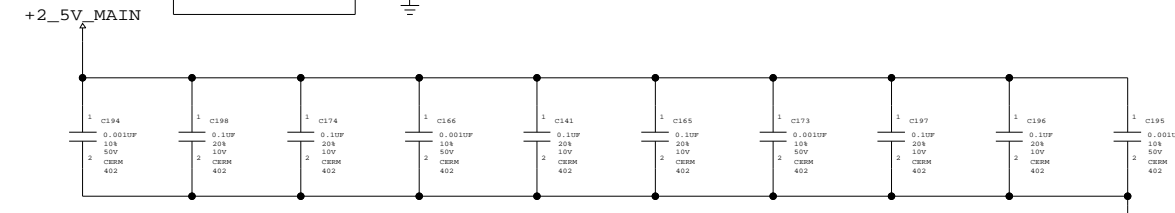
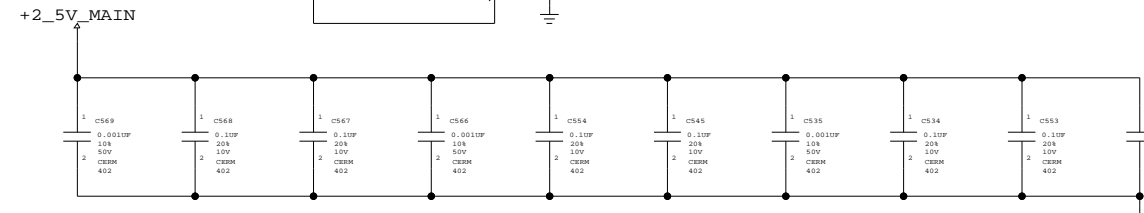
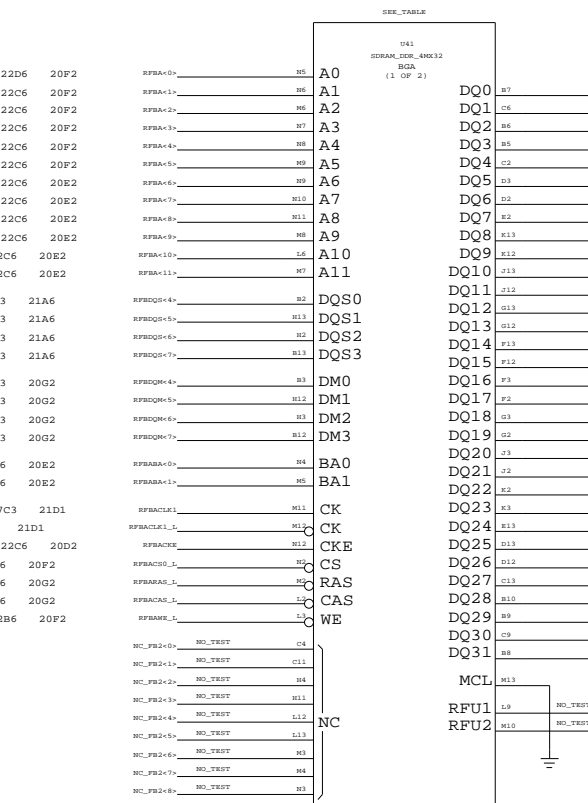
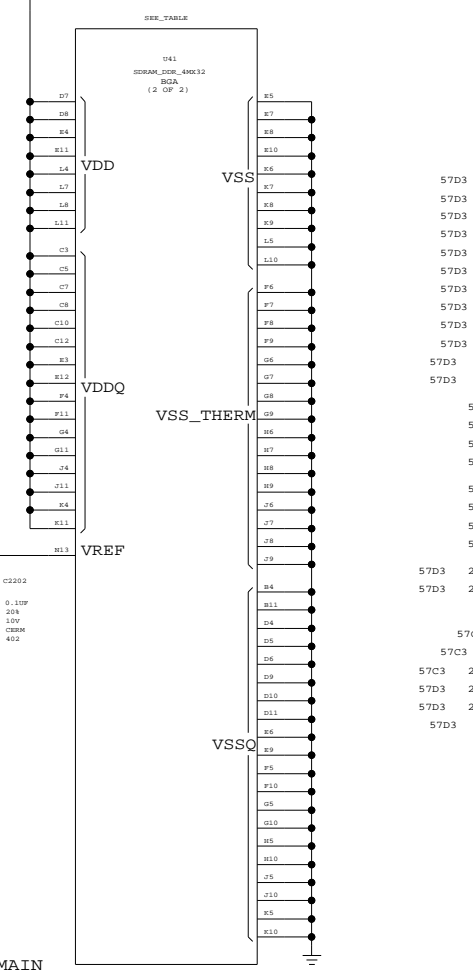
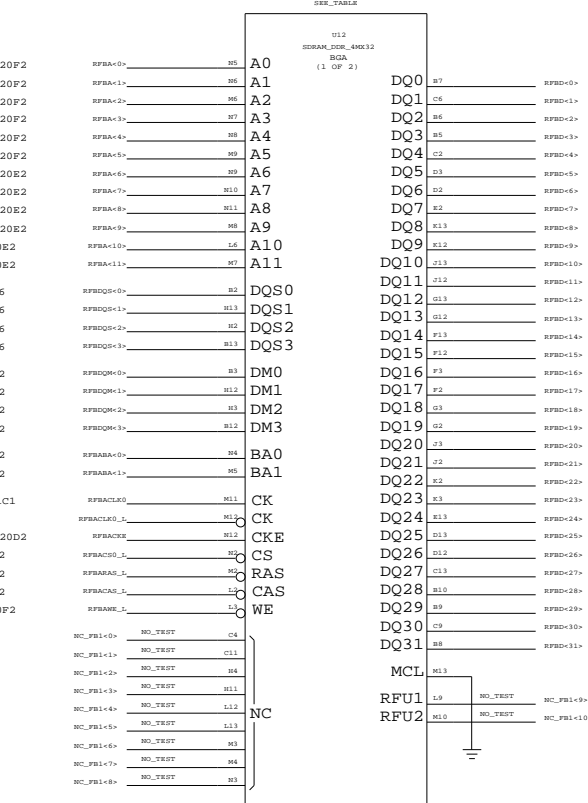
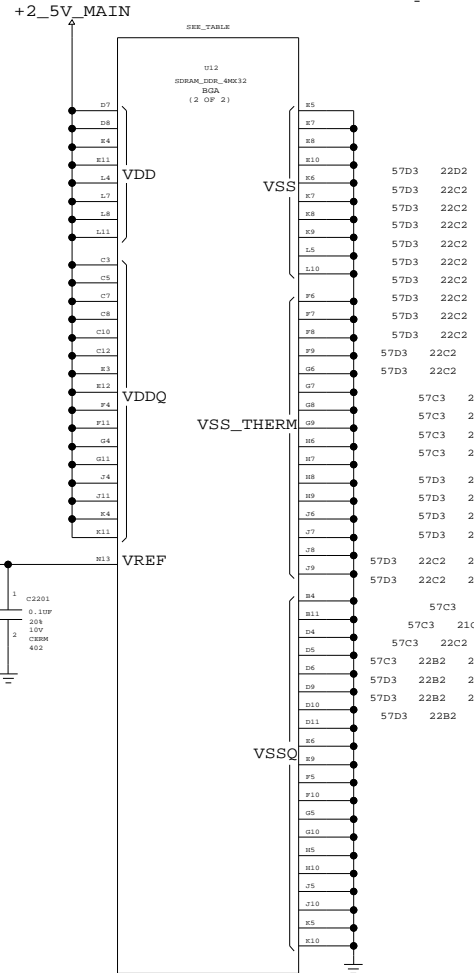
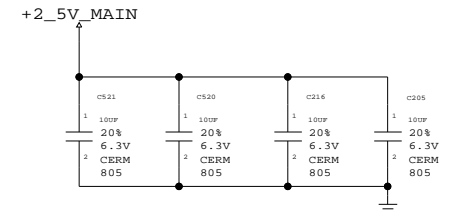
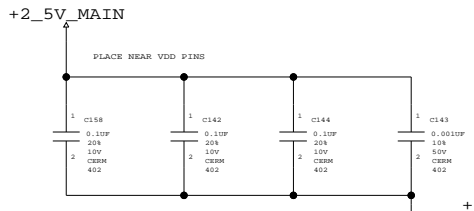
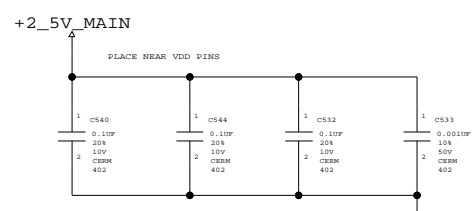
NOTICE OF PROPRIETARY PROPERTY
 LAST MODIFIED: Wed May 28 20:23:25 2003
 THE INFORMATION CONTAINED HEREIN IS THE PROPRIETARY PROPERTY OF APPLE COMPUTER, INC. THE POSSESSOR AGREES TO THE FOLLOWING

I TO MAINTAIN THE DOCUMENT IN CONFIDENCE
 II NOT TO REPRODUCE OR COPY IT
 III NOT TO REVEAL OR PUBLISH IN WHOLE OR PART

APPLE COMPUTER INC.

SIZE: D DRAWING NUMBER: 051-6490 REV.: A

SCALE: NONE SHEET: 21 OF 74



SGRAM0 & SGRAM1 MEMORY SUPPORT

PART NUMBER	QTY	DESCRIPTION	REFERENCE DES	CRITICAL	BOM OPTION
333S0249	2	SDRAM, 4MX32, DDR, 275MHZ	U12, U41	CRITICAL	275_SAMSUNG
333S0250	2	SDRAM, 4MX32, DDR, 275MHZ	U12, U41	CRITICAL	275_HYNIX

SGRAM0 & SGRAM1 DDR MEMORY REFERENCE SUPPORT

PART NUMBER	QTY	DESCRIPTION	REFERENCE DES	CRITICAL	BOM OPTION
116S1103	1	RES, 1K-OHM, 5%, 1/16W, 0402	R152		MEMREFG_ACT
116S1000	1	RES, 0-OHM, 5%, 1/16W, 0402	R152		MEMREFG_PAS

SGRAM0 & SGRAM1

NOTICE OF PROPRIETARY PROPERTY

LAST MODIFIED: Wed May 28 20:23:27 2003

THE INFORMATION CONTAINED HEREIN IS THE PROPRIETARY PROPERTY OF APPLE COMPUTER, INC. THE POSSESSOR AGREES TO THE FOLLOWING

I TO MAINTAIN THE DOCUMENT IN CONFIDENCE
 II NOT TO REPRODUCE OR COPY IT
 III NOT TO REVEAL OR PUBLISH IN WHOLE OR PART

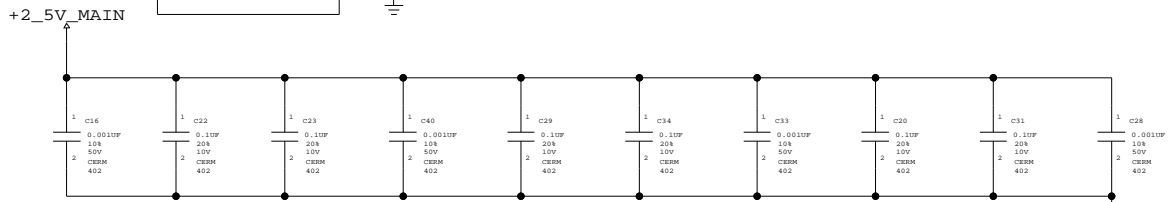
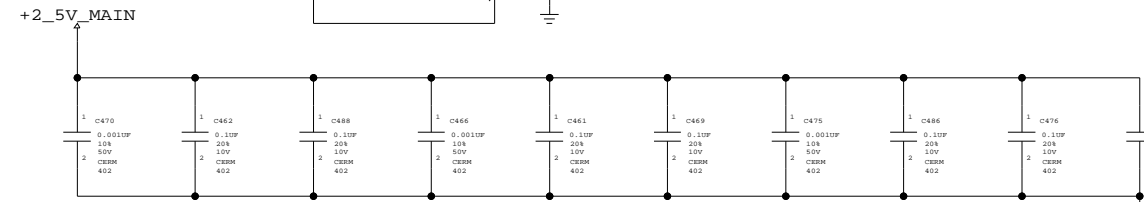
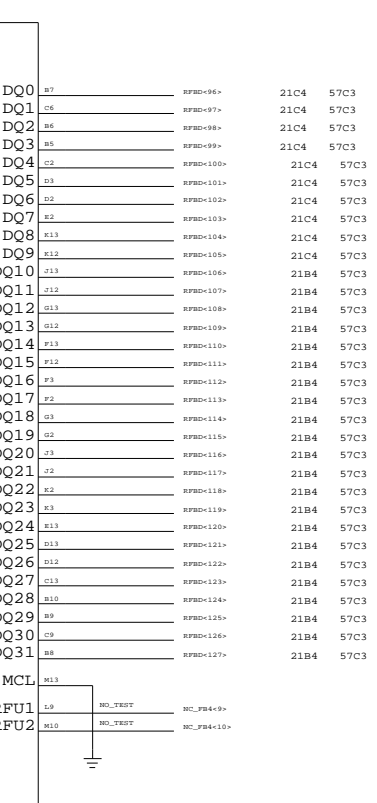
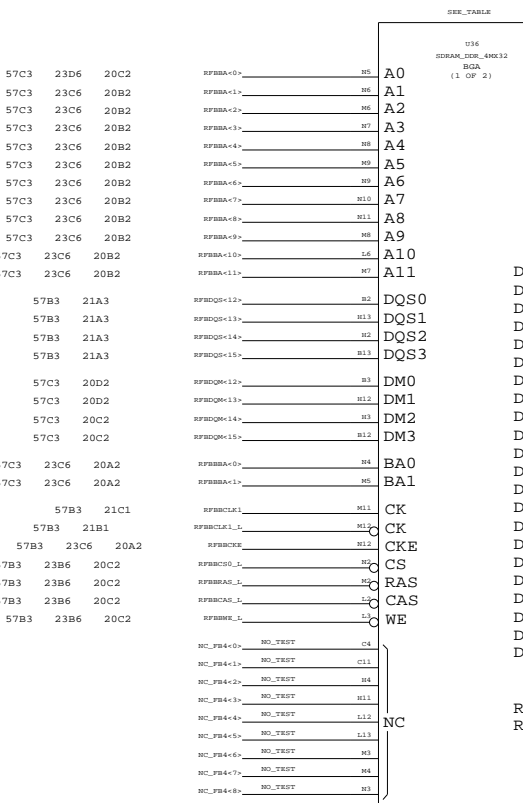
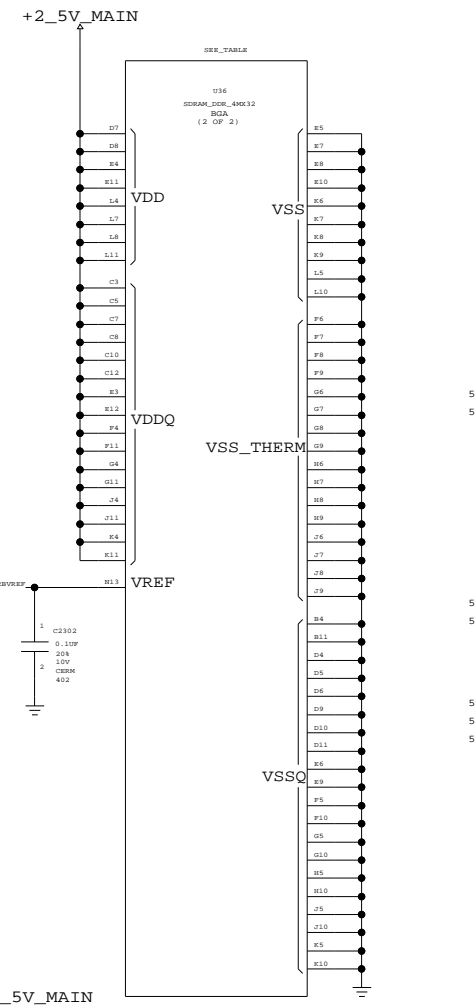
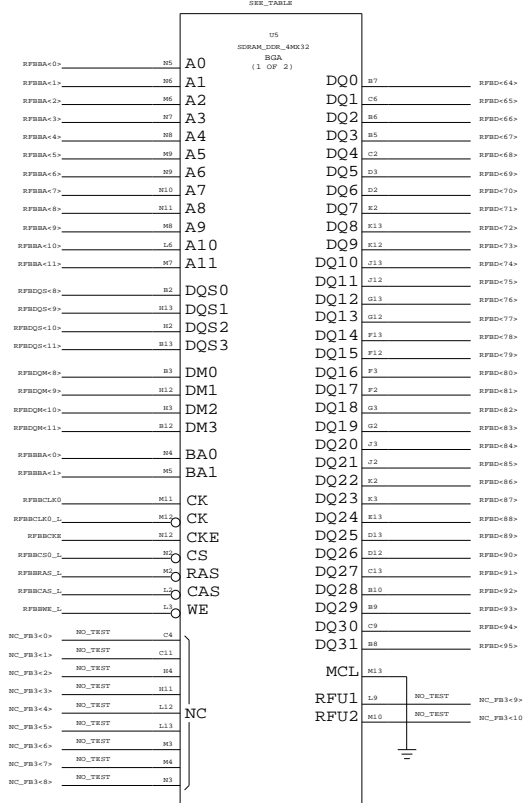
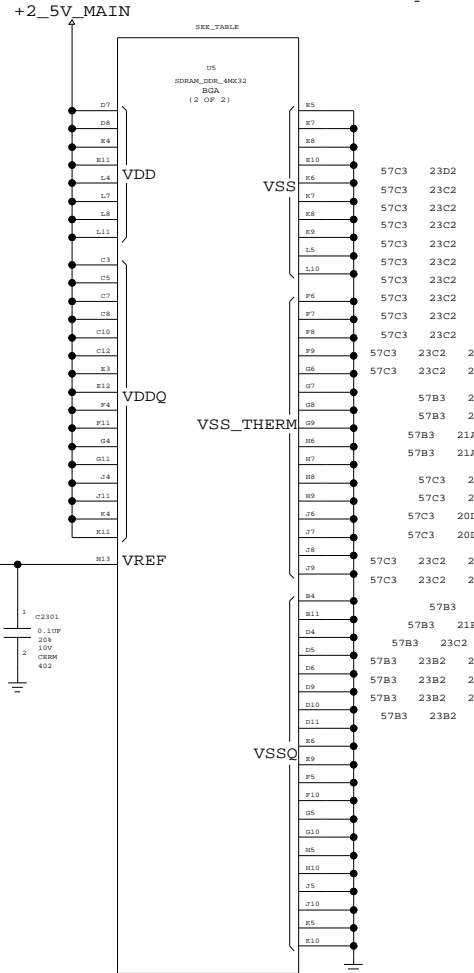
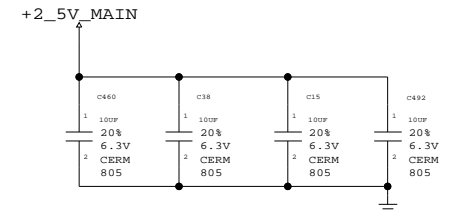
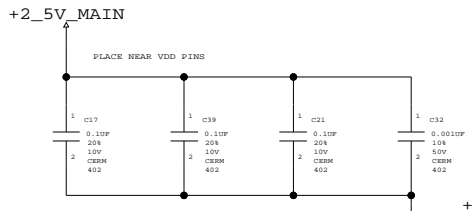
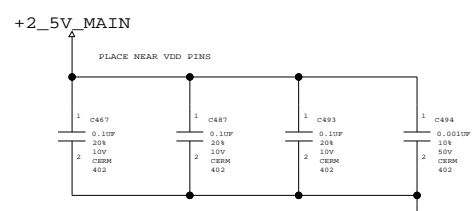
APPLE COMPUTER INC.

SCALE: NONE

SHEET: 22 OF 74

DRAWING NUMBER: 051-6490

REV: A

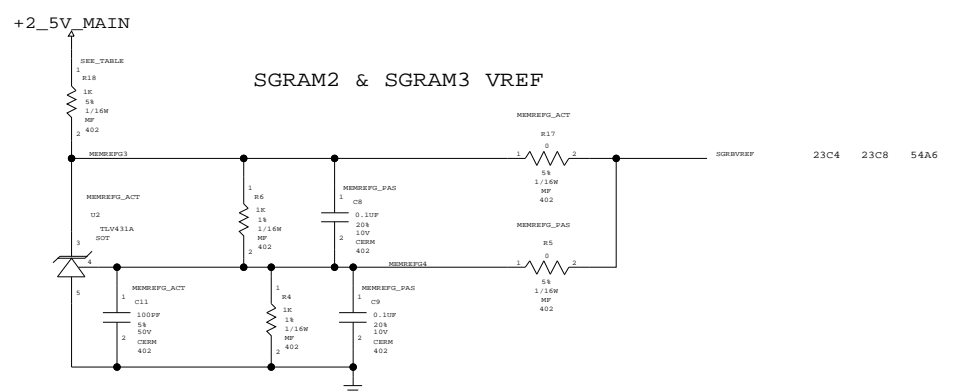


SGRAM0 & SGRAM1 MEMORY SUPPORT

PART NUMBER	QTY	DESCRIPTION	REFERENCE DES	CRITICAL	BOM OPTION
333S0249	2	SDRAM, 4MX32, DDR, 275MHZ	US, U36	CRITICAL	275_SAMSUNG
333S0250	2	SDRAM, 4MX32, DDR, 275MHZ	US, U36	CRITICAL	275_HYUNIK

SGRAM2 & SGRAM3 DDR MEMORY REFERENCE SUPPORT

PART NUMBER	QTY	DESCRIPTION	REFERENCE DES	CRITICAL	BOM OPTION
116S1103	1	RES, 1K-OHM, 5%, 1/16W, 0402	R18		MEMREFG_ACT
116S1000	1	RES, 0-OHM, 5%, 1/16W, 0402	R18		MEMREFG_PAS



SGRAM2 & SGRAM3

NOTICE OF PROPRIETARY PROPERTY
 LAST MODIFIED: Wed May 28 20:23:29 2003
 THE INFORMATION CONTAINED HEREIN IS THE PROPRIETARY PROPERTY OF APPLE COMPUTER, INC. THE POSSESSOR AGREES TO THE FOLLOWING:
 I TO MAINTAIN THE DOCUMENT IN CONFIDENCE
 II NOT TO REPRODUCE OR COPY IT
 III NOT TO REVEAL OR PUBLISH IN WHOLE OR PART

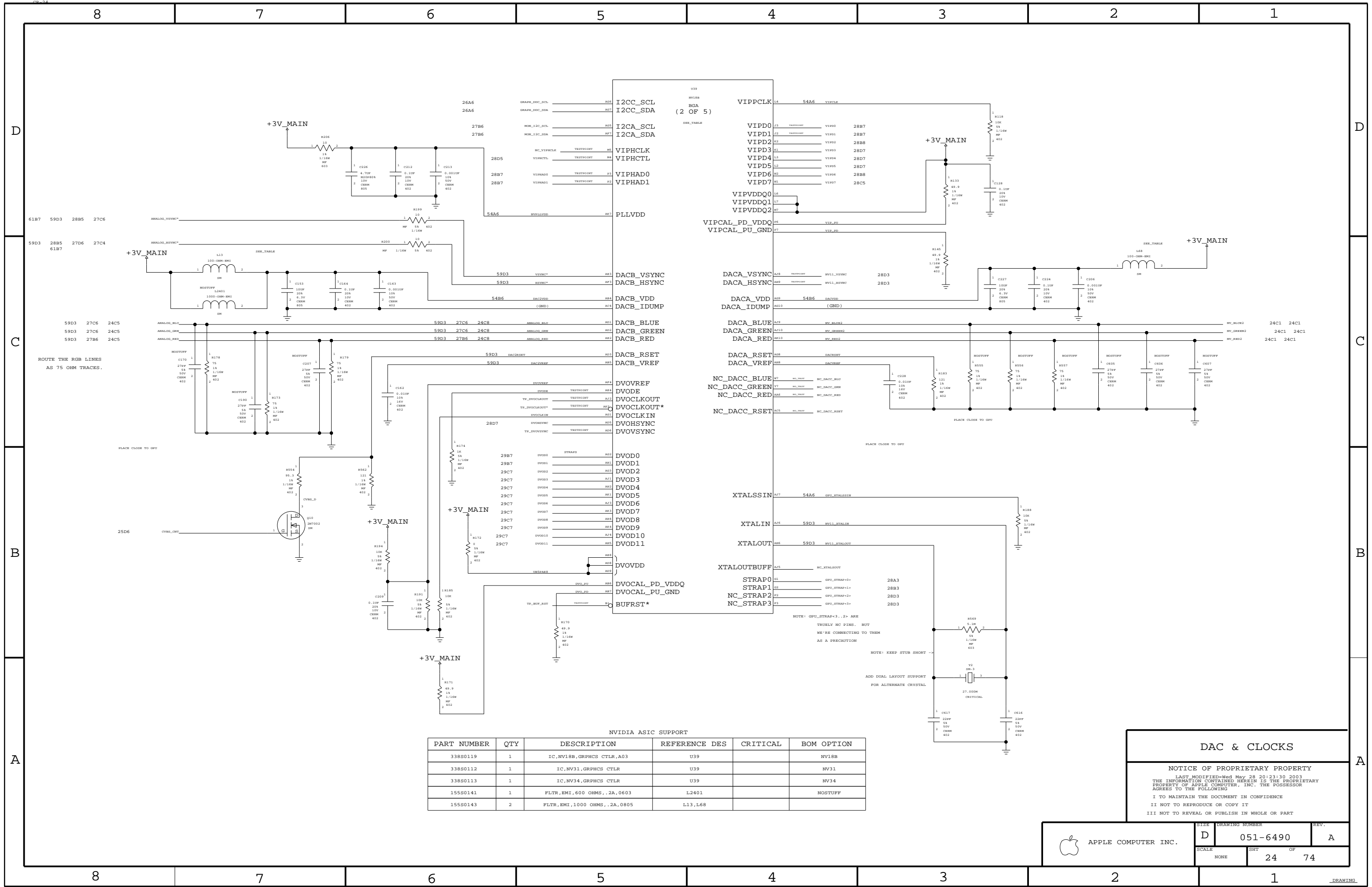
APPLE COMPUTER INC.

SCALE: NONE

SHEET: 23 OF 74

DRAWING NUMBER: 051-6490

REV: A



ROUTE THE RGB LINES AS 75 OHM TRACES.

PLACE CLOSE TO GPU

NOTE: GPU_STRAP[3..2] ARE TRULY NC PINS. BUT WE'RE CONNECTING TO THEM AS A PRECAUTION

NOTE: KEEP STUB SHORT -->

ADD DUAL LAYOUT SUPPORT FOR ALTERNATE CRYSTAL

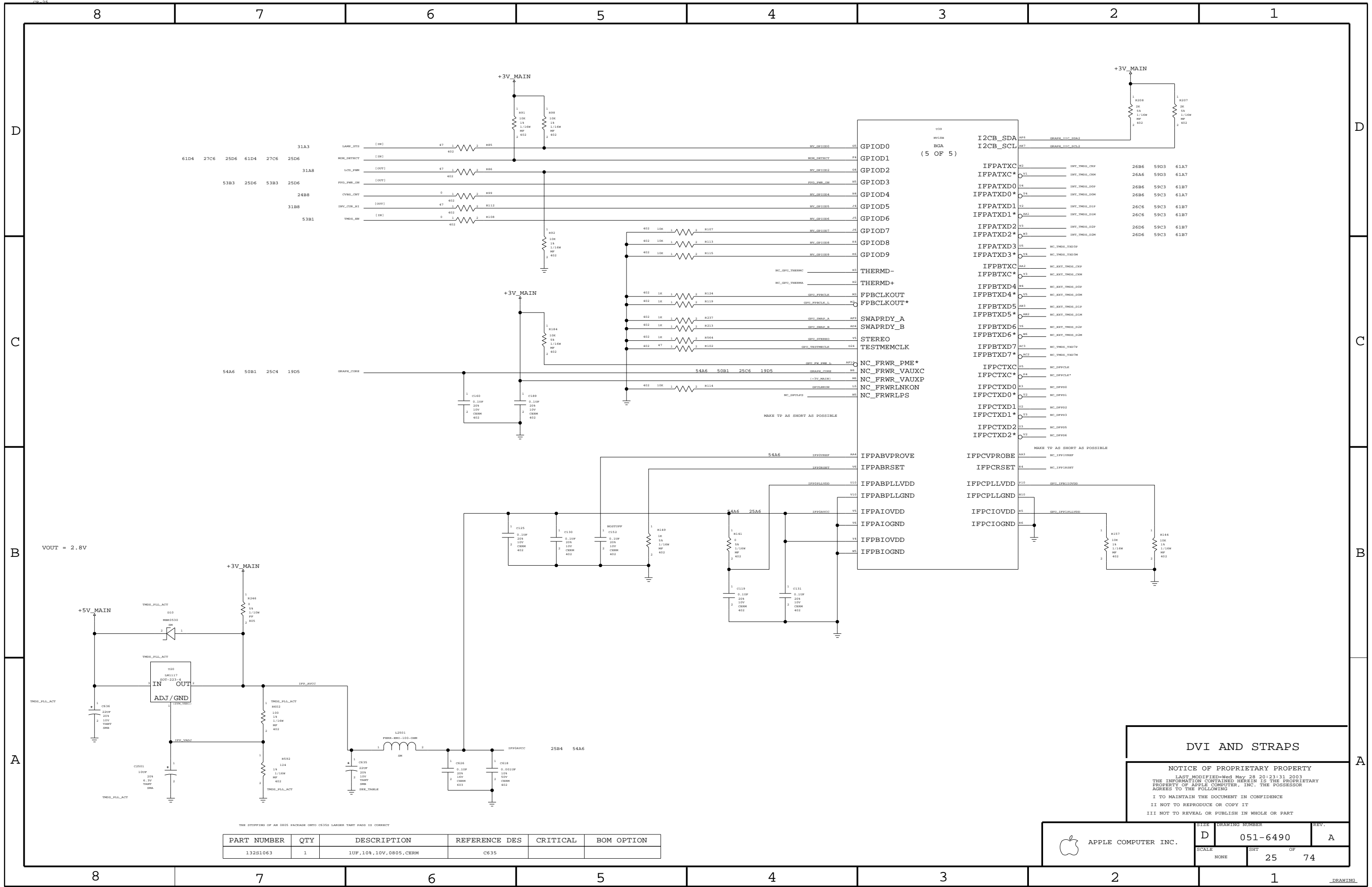
NVIDIA ASIC SUPPORT

PART NUMBER	QTY	DESCRIPTION	REFERENCE DES	CRITICAL	BOM OPTION
33880119	1	IC,NV18B,GRPHCS CTRLR,A03	U39		NV18B
33880112	1	IC,NV31,GRPHCS CTRLR	U39		NV31
33880113	1	IC,NV34,GRPHCS CTRLR	U39		NV34
15580141	1	FLTR,EMI,600 OHMS,.2A,0603	L2401		NOSTUFF
15580143	2	FLTR,EMI,1000 OHMS,.2A,0805	L13,L68		

DAC & CLOCKS

NOTICE OF PROPRIETARY PROPERTY
 LAST MODIFIED: Wed May 28 20:23:30 2003
 THE INFORMATION CONTAINED HEREIN IS THE PROPRIETARY PROPERTY OF APPLE COMPUTER, INC. THE POSSESSOR AGREES TO THE FOLLOWING
 I TO MAINTAIN THE DOCUMENT IN CONFIDENCE
 II NOT TO REPRODUCE OR COPY IT
 III NOT TO REVEAL OR PUBLISH IN WHOLE OR PART

APPLE COMPUTER INC.	SIZE D	DRAWING NUMBER 051-6490	REV. A
	SCALE NONE	SHEET 24	OF 74



PART NUMBER	QTY	DESCRIPTION	REFERENCE DES	CRITICAL	BOM OPTION
132S1063	1	1UF,10%,10V,0805,CERM	C635		

DVI AND STRAPS

NOTICE OF PROPRIETARY PROPERTY
 LAST MODIFIED: Wed May 28 20:23:31 2003
 THE INFORMATION CONTAINED HEREIN IS THE PROPRIETARY
 PROPERTY OF APPLE COMPUTER, INC. THE POSSESSOR
 AGREES TO THE FOLLOWING
 I TO MAINTAIN THE DOCUMENT IN CONFIDENCE
 II NOT TO REPRODUCE OR COPY IT
 III NOT TO REVEAL OR PUBLISH IN WHOLE OR PART

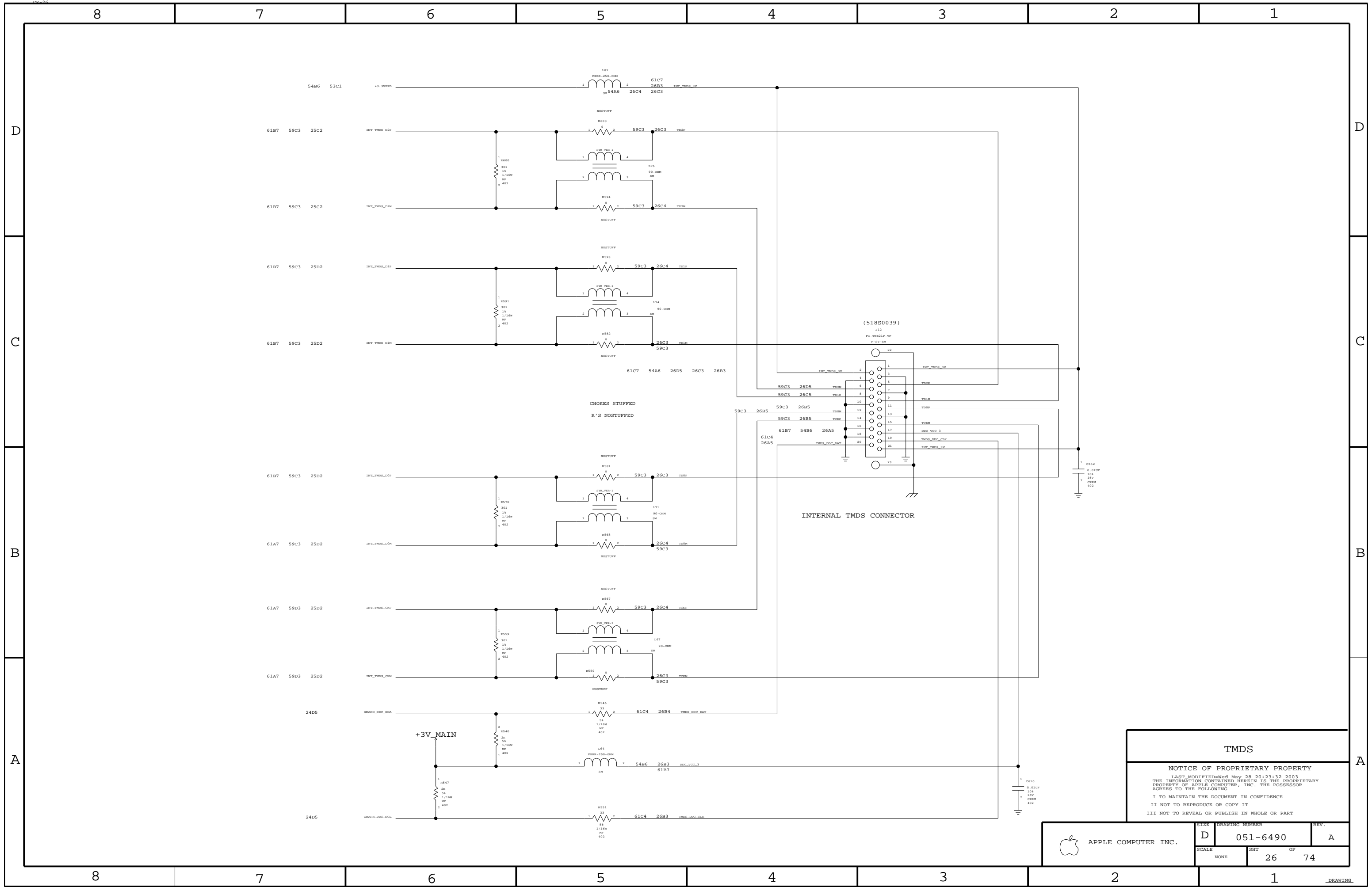
APPLE COMPUTER INC.	SIZE	DRAWING NUMBER	REV.
	D	051-6490	A
SCALE	NONE	SHT	25 OF 74

THE STUFFING OF AN 0805 PACKAGE ONTO C635 LARGER TANT SMD IS CORRECT

MAKE TP AS SHORT AS POSSIBLE

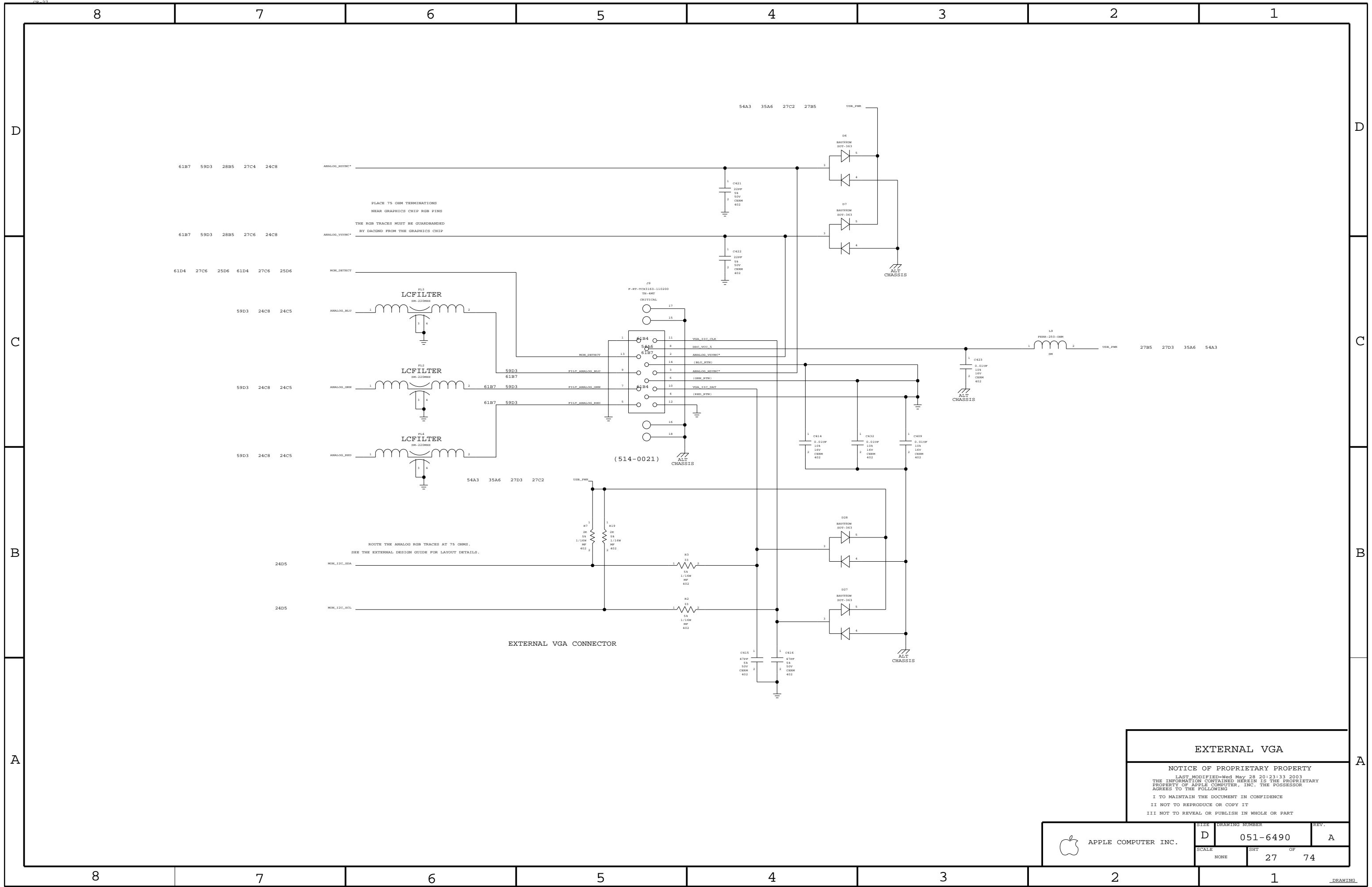
MAKE TP AS SHORT AS POSSIBLE

VOUT = 2.8V



TMD5
NOTICE OF PROPRIETARY PROPERTY
LAST MODIFIED=Wed May 28 20:23:22 2003
THE INFORMATION CONTAINED HEREIN IS THE PROPRIETARY PROPERTY OF APPLE COMPUTER, INC. THE POSSESSOR AGREES TO THE FOLLOWING
I TO MAINTAIN THE DOCUMENT IN CONFIDENCE
II NOT TO REPRODUCE OR COPY IT
III NOT TO REVEAL OR PUBLISH IN WHOLE OR PART

APPLE COMPUTER INC.	SIZE	DRAWING NUMBER	REV.
	D	051-6490	A
SCALE	SHT	OF	
NONE	26	74	



PLACE 75 OHM TERMINATIONS
NEAR GRAPHICS CHIP RGB PINS
THE RGB TRACES MUST BE GUARDBANDED
BY DIACOND FROM THE GRAPHICS CHIP

ROUTE THE ANALOG RGB TRACES AT 75 OHMS.
SEE THE EXTERNAL DESIGN GUIDE FOR LAYOUT DETAILS.

EXTERNAL VGA CONNECTOR

EXTERNAL VGA

NOTICE OF PROPRIETARY PROPERTY
 LAST MODIFIED: Wed May 28 20:23:33 2003
 THE INFORMATION CONTAINED HEREIN IS THE PROPRIETARY
 PROPERTY OF APPLE COMPUTER, INC. THE POSSESSOR
 AGREES TO THE FOLLOWING
 I TO MAINTAIN THE DOCUMENT IN CONFIDENCE
 II NOT TO REPRODUCE OR COPY IT
 III NOT TO REVEAL OR PUBLISH IN WHOLE OR PART

APPLE COMPUTER INC.	SIZE D	DRAWING NUMBER 051-6490	REV. A
	SCALE NONE	SHEET 27	OF 74

D

C

B

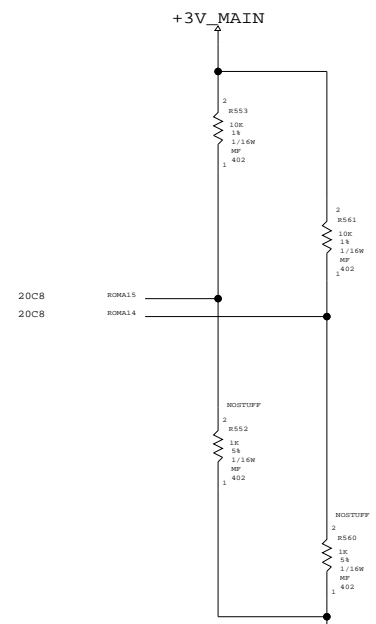
A

D

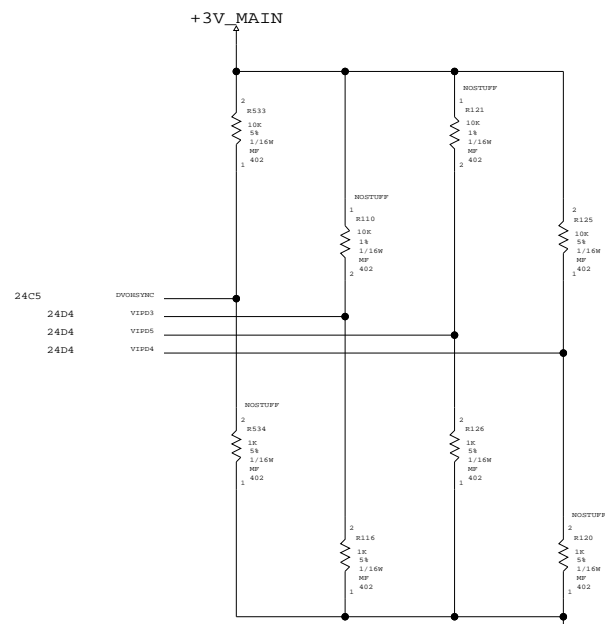
C

B

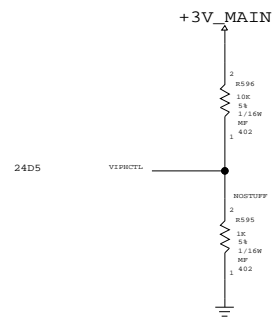
A



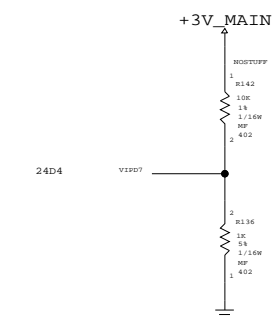
(1) ROM TYPE (OVERRIDDEN IF STRAP1 = 0)
 [1..0] = [ROMA15,ROMA14]
 00 = PARALLEL
 01 = SERIAL AT25F
 10 = SERIAL SST45VF
 * 11 = SERIAL FUTURE



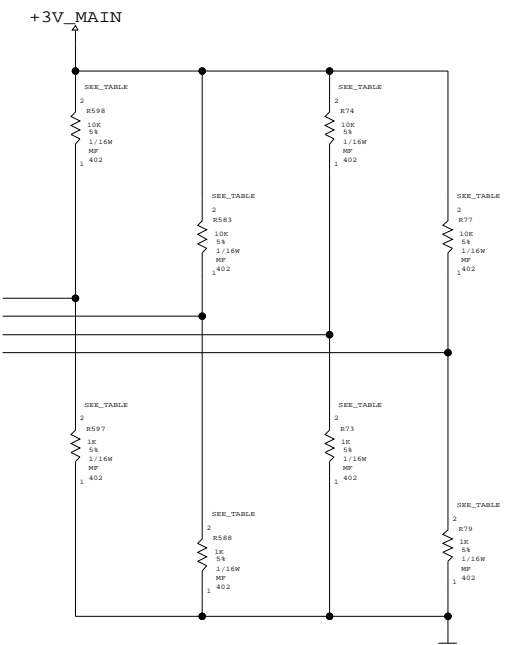
(3) PCI DEVICE ID
 [3..0] = [DVOHSYNC,VIPD3,VIPD5,VIPD4]
 0010 = 0X112 GEFORCE2 GO
 0011 = 0X113 QUADRO2 GO
 0100 = 0X114 NV17M
 0000 = 0X110 GEFORCE2GO MX (NV11B)
 * 1001 = NV18B,NV31,NV34



(5) HOST MODE
 [0] = [VIPHCTL]
 0 = PCI MODE
 * 1 = AGP MODE

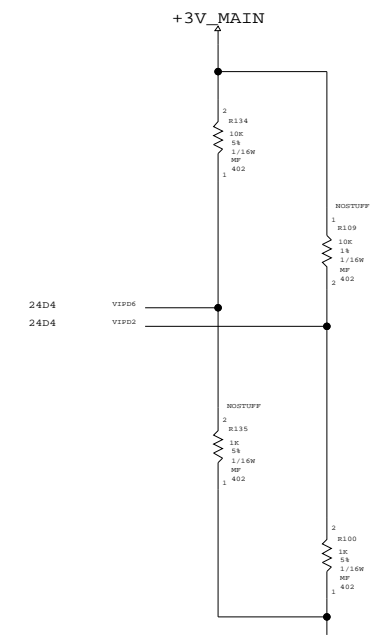


(6) AGP SIDE BAND
 [0] = [VIPD7]
 * 0 = ENABLE AGP SIDE BAND
 1 = DISABLE AGP SIDE BAND

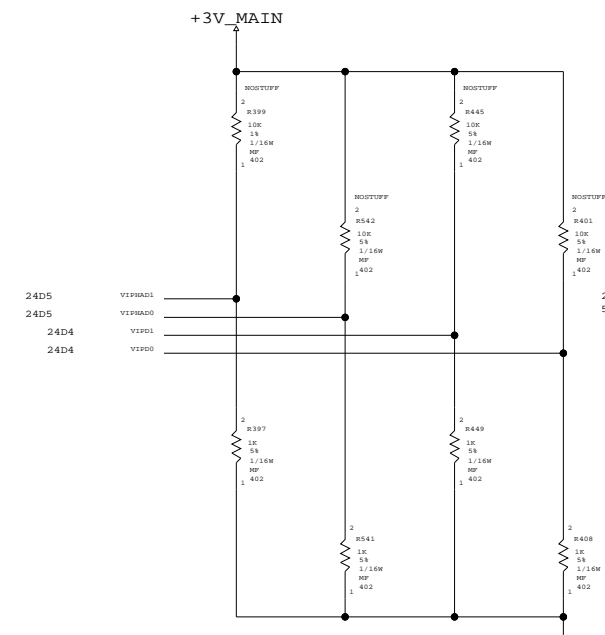


(8) FRAME BUFFER MEMORY TYPE
 [3..0] = [NV11_HSYNC,NV11_VSYNC,GPU_STRAP<3>,GPU_STRAP<2>]
 1111 = 222MHZ
 1101 = 275MHZ SAMSUNG
 1100 = 275MHZ HYNIX

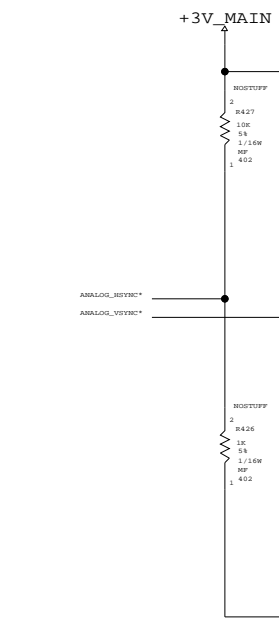
PART NUMBER	QTY	DESCRIPTION	REFERENCE DES	CRITICAL	BOM OPTION
116S1104	3	RES,10KOHM,5%,0402	R598,R583,R77		275_SAMSUNG
116S1103	1	RES,1KOHM,5%,0402	R73		275_SAMSUNG
116S1104	2	RES,10KOHM,5%,0402	R598,R583		275_HYNIX
116S1103	2	RES,1KOHM,5%,0402	R73,R79		275_HYNIX



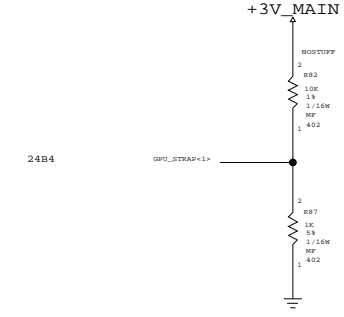
(2) CRYSTAL FREQUENCY SELECT
 [1..0] = [VIPD6,VIPD2]
 00 = 13.5MHZ
 01 = 14.38MHZ
 * 10 = 27MHZ
 11 = [UNDEFINED]



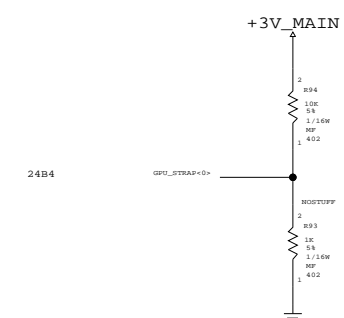
(4) USER DEFINED STRAPS
 [3..0] = [VIPHAD1,VIPHAD0,VIPD1,VIPD0]
 THESE BITS ARE UNDEFINED BUT THEY
 MUST BE KEPT LOW DURING RESET



(7) TV MODE
 [1..0] = [ANALOG_HSYNC*,ANALOG_VSYNC*]
 00 = SECAM
 01 = NTSC
 10 = PAL
 * 11 = DISABLED
 (THESE RESISTORS ARE ALL NOSTUFF)



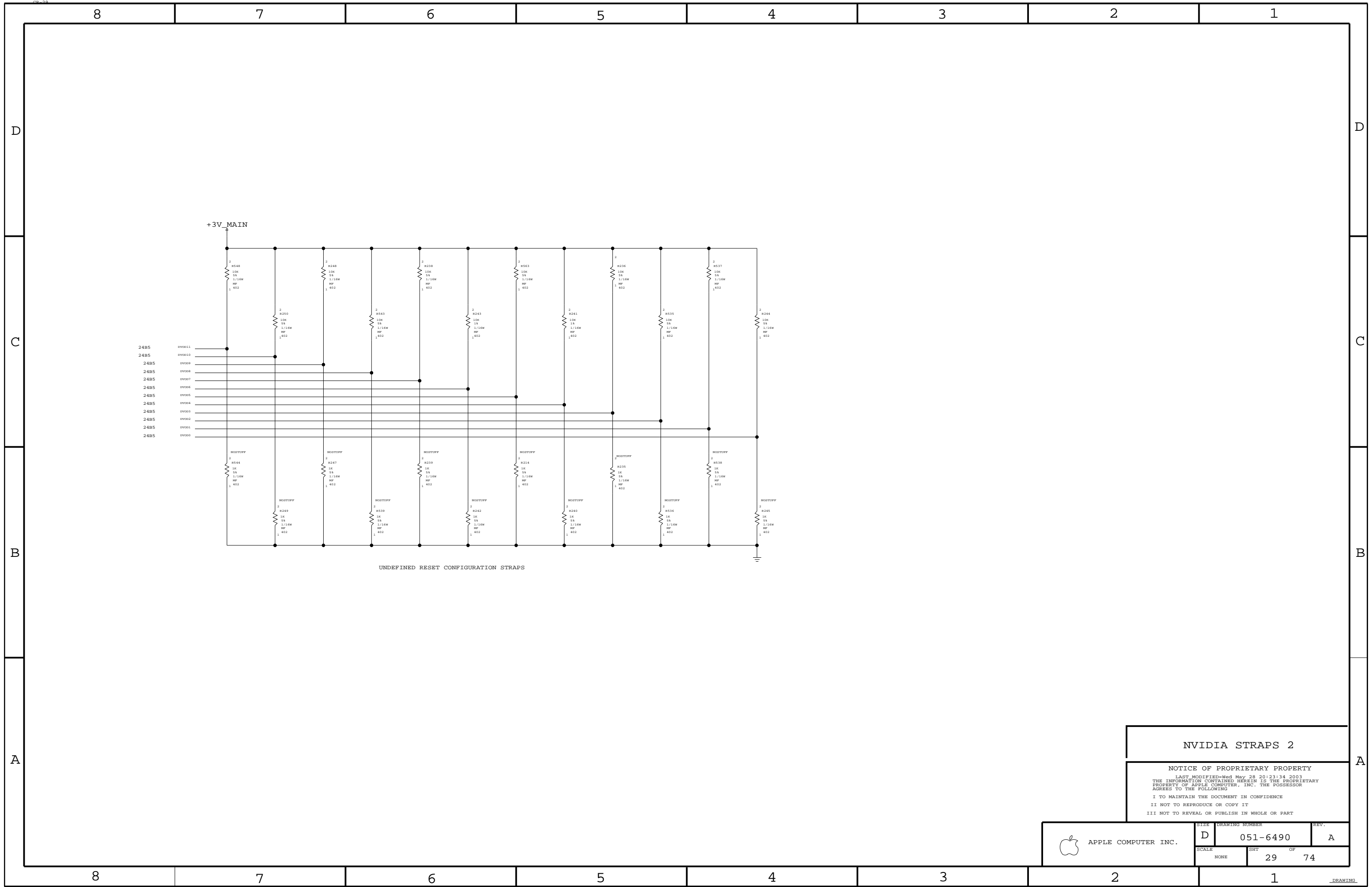
(9) SUB-VENDOR
 [0] = [GPU_STRAP<1>]
 0 = SYSTEM BIOS (VENDOR & SUBSYSTEM ID=0X0000)
 * 1 = ADAPTER CARD VGA BIOS (VENDOR & SUBSYSTEM ID=0X54-0X57)



(10) PCI ADDRESS BUS
 [0] = [GPU_STRAP<0>]
 0 = REVERSED
 * 1 = NORMAL

NVIDIA STRAPS 1
 NOTICE OF PROPRIETARY PROPERTY
 LAST MODIFIED:Wed May 28 20:23:34 2003
 THE INFORMATION CONTAINED HEREIN IS THE PROPRIETARY
 PROPERTY OF APPLE COMPUTER, INC. THE POSSESSOR
 AGREES TO THE FOLLOWING
 I TO MAINTAIN THE DOCUMENT IN CONFIDENCE
 II NOT TO REPRODUCE OR COPY IT
 III NOT TO REVEAL OR PUBLISH IN WHOLE OR PART

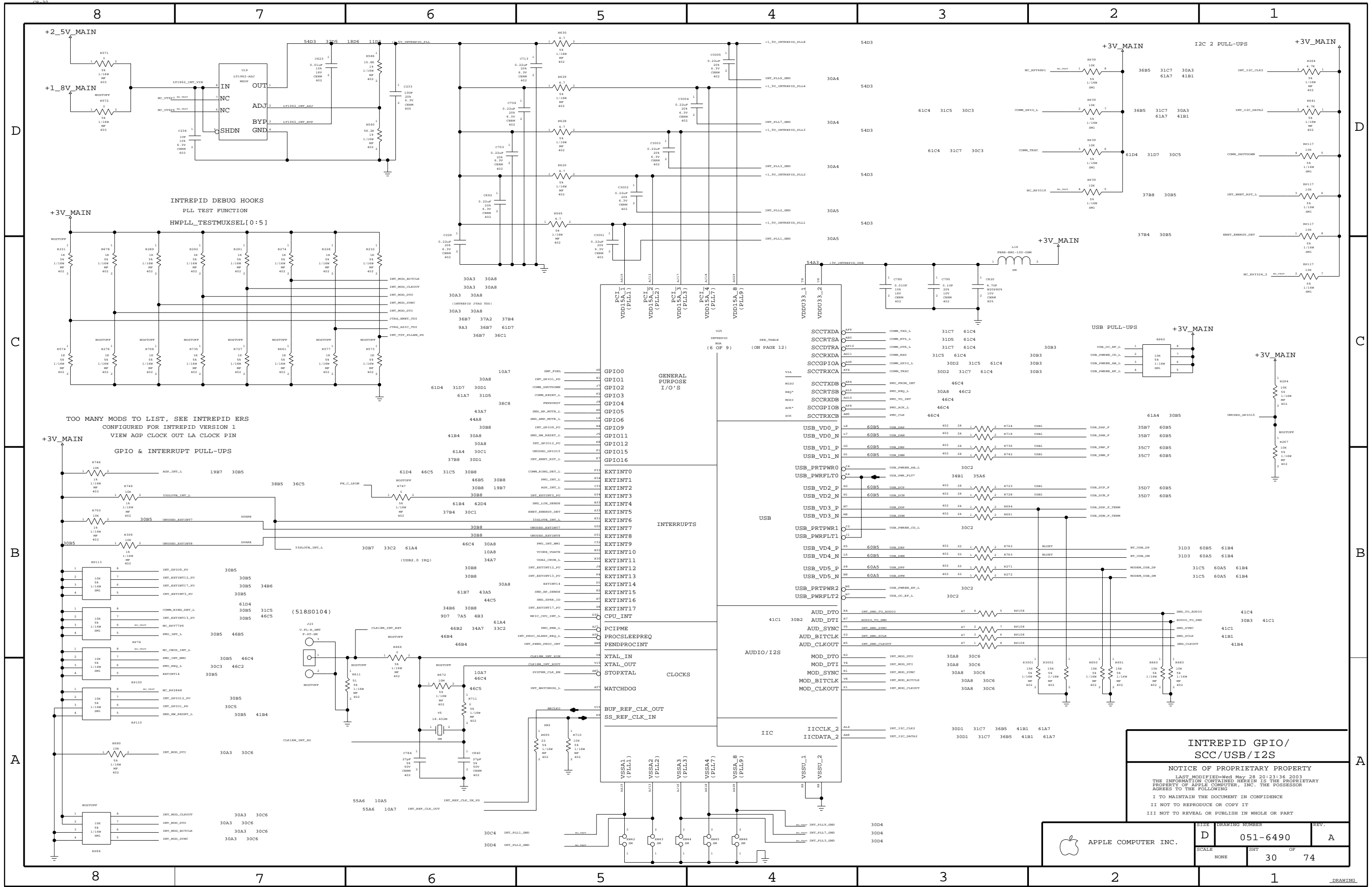
APPLE COMPUTER INC.	SIZE	DRAWING NUMBER	REV.
	D	051-6490	A
SCALE	SHT	OF	
NONE	28	74	



NVIDIA STRAPS 2

NOTICE OF PROPRIETARY PROPERTY
 LAST MODIFIED: Wed May 28 20:23:34 2003
 THE INFORMATION CONTAINED HEREIN IS THE PROPRIETARY
 PROPERTY OF APPLE COMPUTER, INC. THE POSSESSOR
 AGREES TO THE FOLLOWING
 I TO MAINTAIN THE DOCUMENT IN CONFIDENCE
 II NOT TO REPRODUCE OR COPY IT
 III NOT TO REVEAL OR PUBLISH IN WHOLE OR PART

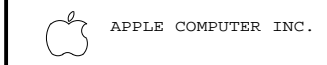
APPLE COMPUTER INC.	SIZE	DRAWING NUMBER	REV.
	D	051-6490	A
SCALE	SHT		OF
NONE	29		74



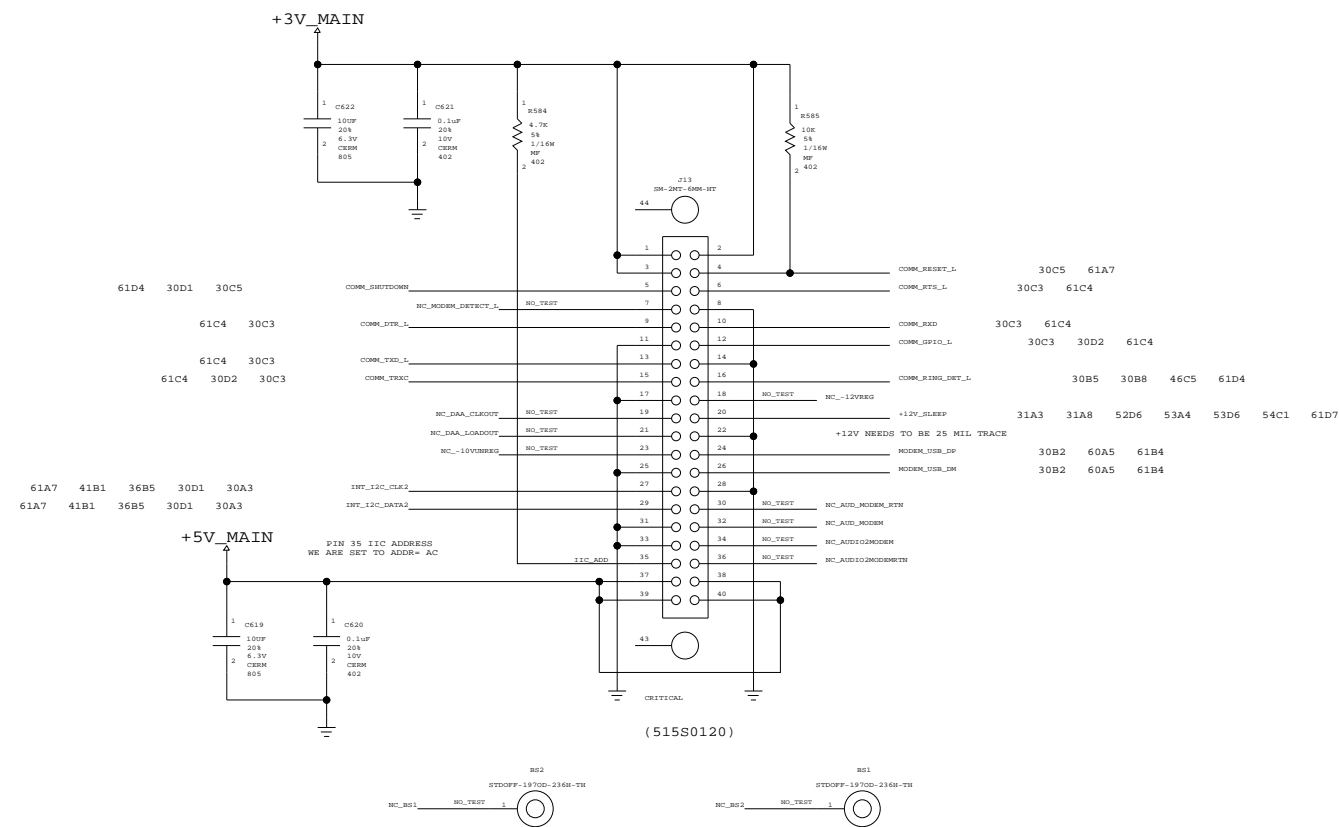
**INTREPID GPIO/
SCC/USB/I2S**

NOTICE OF PROPRIETARY PROPERTY
 LAST MODIFIED: Wed May 28 20:23:36 2003
 THE INFORMATION CONTAINED HEREIN IS THE PROPRIETARY
 PROPERTY OF APPLE COMPUTER, INC. THE POSSESSOR
 AGREES TO THE FOLLOWING
 I TO MAINTAIN THE DOCUMENT IN CONFIDENCE
 II NOT TO REPRODUCE OR COPY IT
 III NOT TO REVEAL OR PUBLISH IN WHOLE OR PART

DRAWING NUMBER	051-6490		REV.	A	
	SCALE	NONE			SHEET
DRAWING NUMBER		051-6490		REV.	A
SCALE		NONE		SHEET	OF
		30		74	



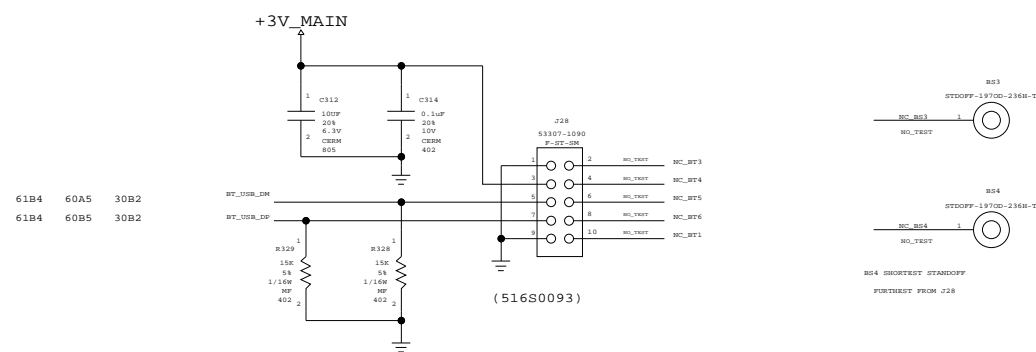
MODEM BOARD CONNECTOR
(DASH II)



MODEM STANDOFF SUPPORT

PART NUMBER	QTY	DESCRIPTION	REFERENCE DES	CRITICAL	BOM OPTION
860-1034	2	STDOFF-19709-236H-TH	BS1, BS2		

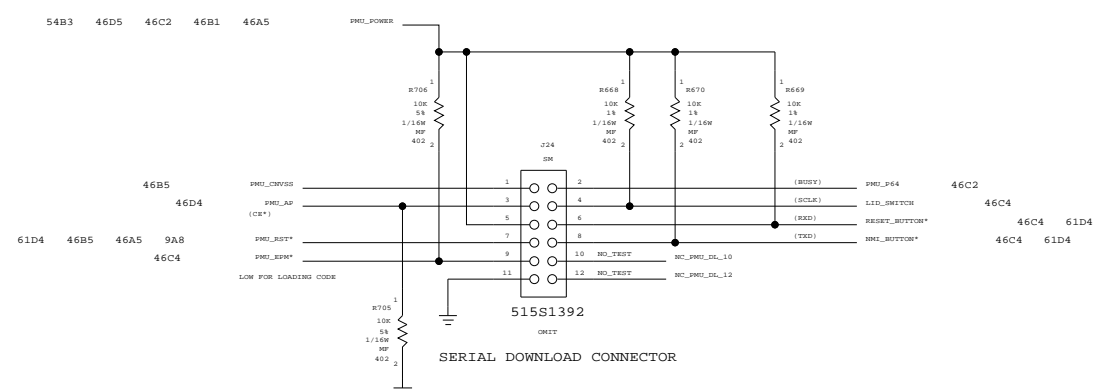
BLUETOOTH CONNECTOR



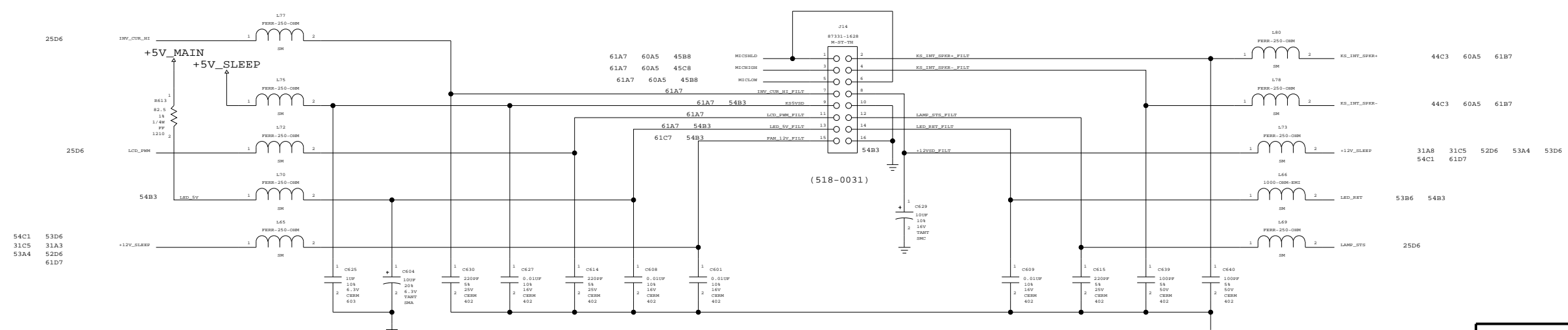
BLUETOOTH CARD MOUNTING HARDWARE SUPPORT

PART NUMBER	QTY	DESCRIPTION	REFERENCE DES	CRITICAL	BOM OPTION
860-0170	1	STDOFF, BLUETOOTH, SHORT	BS4		
860-0171	1	STDOFF, BLUETOOTH, LONG	BS3		

SERIAL DOWNLOAD INTERFACE



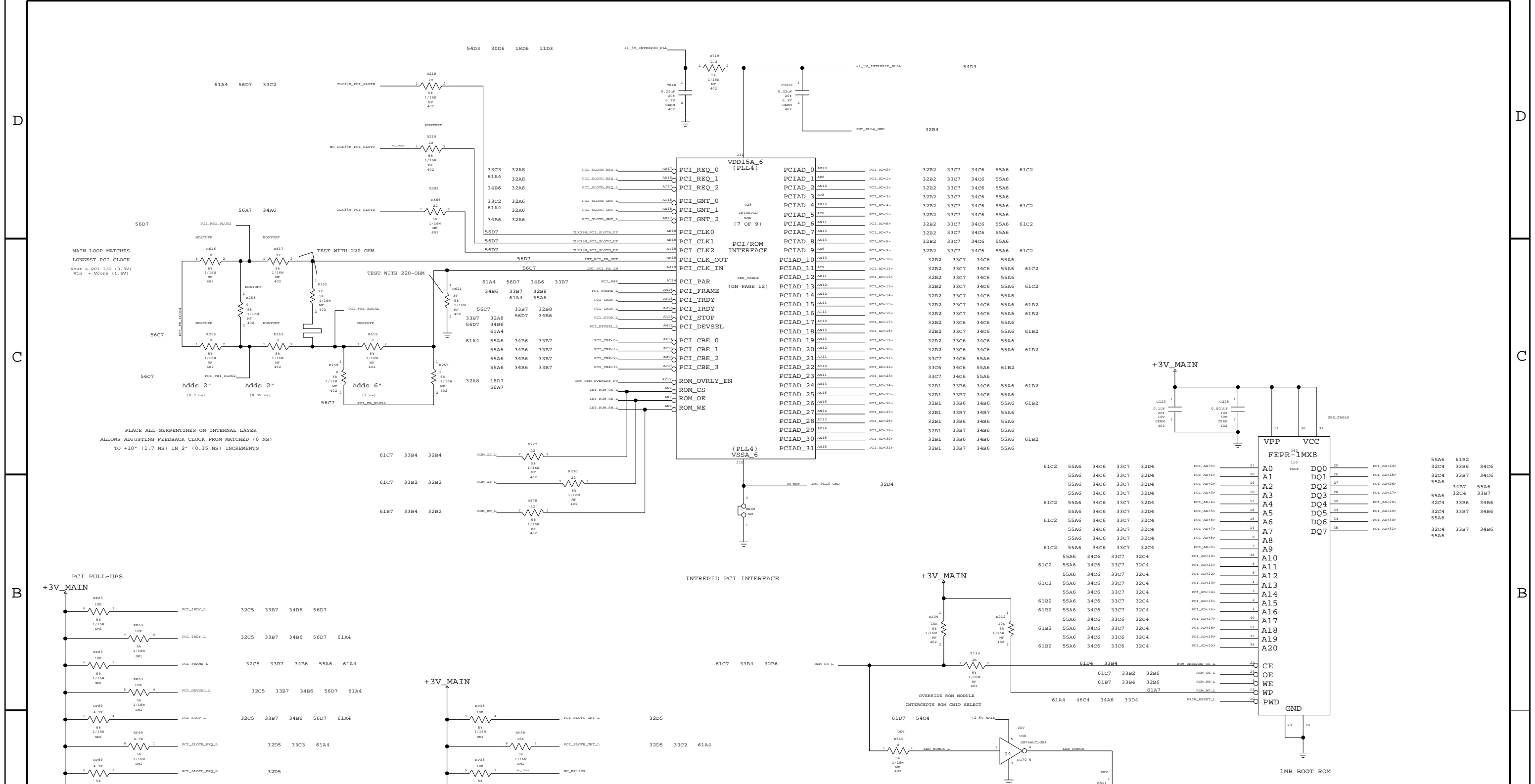
'KITCHEN SINK' CONNECTOR
(MICROPHONE, INTERNAL SPEAKER CONNECTIONS
INVERTER, LCD, LED & FAN POWER)



MODEM, BLUETOOTH,
KITCHEN SINK
& SERIAL DOWNLOAD

NOTICE OF PROPRIETARY PROPERTY
LAST MODIFIED: Wed May 28 20:23:37 2003
THE INFORMATION CONTAINED HEREIN IS THE PROPRIETARY
PROPERTY OF APPLE COMPUTER, INC. THE POSSESSOR
AGREES TO THE FOLLOWING
I TO MAINTAIN THE DOCUMENT IN CONFIDENCE
II NOT TO REPRODUCE OR COPY IT
III NOT TO REVEAL OR PUBLISH IN WHOLE OR PART

APPLE COMPUTER INC.	SIZE	DRAWING NUMBER	REV.
	D	051-6490	A
SCALE	NONE	SHT	OF
		31	74



PART NUMBER	QTY	DESCRIPTION	REFERENCE DES	CRITICAL	BOM OPTION
341T1107	1	IC, FLASH, PROD, ROM, PRGMD	U42		
341S1169	1	IC, FEPR, FLASH ROM, PROD	U42		ROM_PRGMD PROD
009-6420	1	IC, FEPR, FLASH ROM, PROD	U42		ROM_IMG PROD
341S1225	1	IC, FLASH, BOOT ROM, Q26, 4.5.8B2	U42		ROM_PRGMD PROD
009-6076	1	CODE, BOOTROM, Q26, DVT, 4.5.8B2	U42		ROM_IMG PROD
341S1272	1	IC, FLASH, BOOT ROM, Q26B	U42		ROM_PRGMD PROD
009-6068	1	CODE, BOOTROM, Q26B, DVT, 4.6.7B1	U42		ROM_IMG PROD
335S0350	1	IC, FLASH ROM, 1MB, BLANK	U42		OMIT

INTREPID PCI & BOOT ROM

NOTICE OF PROPRIETARY PROPERTY

LAST MODIFIED: Wed May 28 20:23:39 2003
 THE INFORMATION CONTAINED HEREIN IS THE PROPRIETARY PROPERTY OF APPLE COMPUTER, INC. THE POSSESSOR AGREES TO THE FOLLOWING:

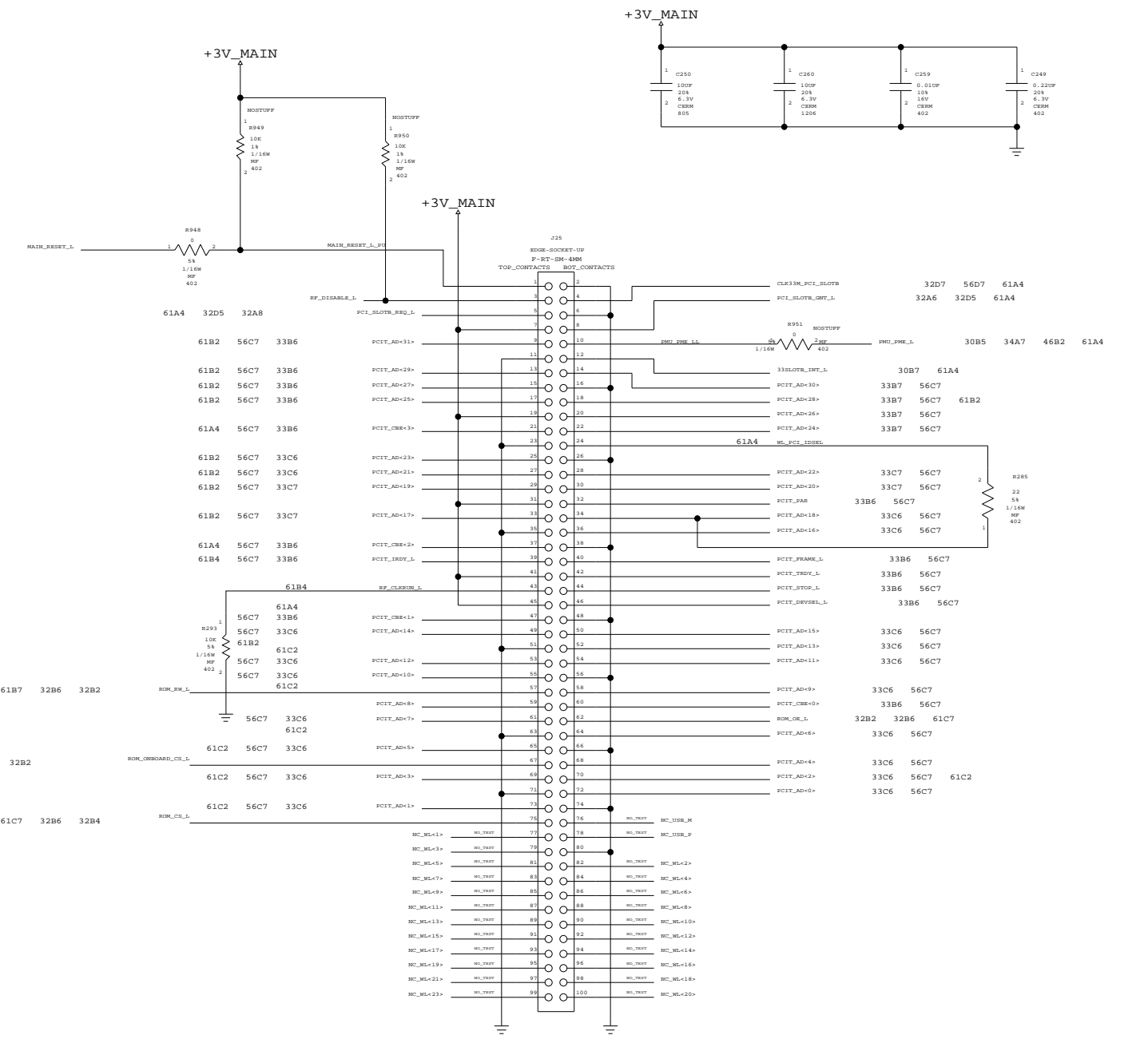
I TO MAINTAIN THE DOCUMENT IN CONFIDENCE
 II NOT TO REPRODUCE OR COPY IT
 III NOT TO REVEAL OR PUBLISH IN WHOLE OR PART

DRAWING NUMBER	REV.
051-6490	A
SCALE	SHEET OF
NONE	32 74

APPLE COMPUTER INC.

PLACE RP'S NEAR WIRELESS CONNECTOR

61C2	55A6	34C6	32D4	32B2	PCI_AD<0>	1	RP77	8	PCI_AD<0>	33B2	56C7
	55A6	34C6	32D4	32B2	PCI_AD<1>	2	33	7	PCI_AD<1>	33B3	56C7
	55A6	34C6	32D4	32B2	PCI_AD<2>	3	5A	6	NO_TEST	33B2	56C7
	55A6	34C6	32D4	32B2	PCI_AD<3>	4	5M1	5	PCI_AD<3>	33B3	56C7
61C2	55A6	34C6	32D4	32B2	PCI_AD<4>	1	RP78	8	PCI_AD<4>	33B2	56C7
	55A6	34C6	32D4	32B2	PCI_AD<5>	2	33	7	PCI_AD<5>	33B3	56C7
	55A6	34C6	32C4	32B2	PCI_AD<6>	3	5A	6	NO_TEST	33B2	56C7
	55A6	34C6	32C4	32B2	PCI_AD<7>	4	5M1	5	PCI_AD<7>	33B3	56C7
	55A6	34C6	32C4	32B2	PCI_AD<8>	1	RP79	8	PCI_AD<8>	33B3	56C7
61C2	55A6	34C6	32C4	32B2	PCI_AD<9>	2	33	7	NO_TEST	33B2	56C7
	55A6	34C6	32C4	32B2	PCI_AD<10>	3	5A	6	PCI_AD<10>	33B3	56C7
	55A6	34C6	32C4	32B2	PCI_AD<11>	4	5M1	5	NO_TEST	33B2	56C7
61C2	55A6	34C6	32C4	32B2	PCI_AD<12>	1	RP72	8	PCI_AD<12>	33B3	56C7
	55A6	34C6	32C4	32B2	PCI_AD<13>	2	33	7	NO_TEST	33B2	56C7
	55A6	34C6	32C4	32B2	PCI_AD<14>	3	5A	6	PCI_AD<14>	33C3	56C7
	55A6	34C6	32C4	32B2	PCI_AD<15>	4	5M1	5	NO_TEST	33C2	56C7
61B2	55A6	34C6	32C4	32B2	PCI_AD<16>	1	RP73	8	PCI_AD<16>	33C2	56C7
	55A6	34C6	32C4	32B2	PCI_AD<17>	2	33	7	NO_TEST	32B2	32C4
	55A6	34C6	32C4	32B2	PCI_AD<18>	3	5A	6	PCI_AD<18>	33C2	56C7
	55A6	34C6	32C4	32B2	PCI_AD<19>	4	5M1	5	NO_TEST	32B2	32C4
61B2	55A6	34C6	32C4	32B2	PCI_AD<20>	1	RP74	8	PCI_AD<20>	33C3	56C7
	55A6	34C6	32C4	32B2	PCI_AD<21>	2	33	7	NO_TEST	33C3	56C7
	55A6	34C6	32C4	32B2	PCI_AD<22>	3	5A	6	NO_TEST	32C4	34C6
	55A6	34C6	32C4	32B2	PCI_AD<23>	4	5M1	5	NO_TEST	32B2	32C4
55A6	34B7	32C4	32B1		PCI_AD<24>	1	RP75	8	PCI_AD<24>	33C3	56C7
	55A6	34C6	32C4	32B1	PCI_AD<25>	2	33	7	NO_TEST	33C3	56C7
	55A6	34C6	32C4	32B1	PCI_AD<26>	3	5A	6	NO_TEST	32B1	32C4
	55A6	34C6	32C4	32B1	PCI_AD<27>	4	5M1	5	NO_TEST	32B1	32C4
61B2	56C7	33C2			PCI_AD<28>	1	RP76	8	PCI_AD<28>	32B1	32C4
	56C7	33C2			PCI_AD<29>	2	33	7	NO_TEST	32B1	32C4
	55A6	34B6	32C4	32B1	PCI_AD<30>	3	5A	6	NO_TEST	33C3	56C7
	55A6	34B6	32C4	32B1	PCI_AD<31>	4	5M1	5	NO_TEST	33C3	56C7
61A4	56D7	34B6	32C5	32B8	PCI_PAR	1	RP77	8	PCI_PAR	33C2	56C7
	56D7	34B6	32C5	32B8	PCI_FRAME_L	2	33	7	NO_TEST	PCI_FRAME_L	33C2
	56D7	34B6	32C5	32B8	PCI_TRDY_L	3	5A	6	NO_TEST	33C2	56C7
	56D7	34B6	32C5	32B8	PCI_STBY_L	4	5M1	5	NO_TEST	33C3	56C7
61A4	56D7	34B6	32C5	32A8	PCI_STOP_L	1	RP78	8	PCI_STOP_L	33C2	56C7
	56D7	34B6	32C5	32A8	PCI_DEVSEL_L	2	33	7	NO_TEST	33C2	56C7
	55A6	34B6	32C5	32C5	PCI_CBE<1>	3	5A	6	NO_TEST	33C3	56C7
	55A6	34B6	32C5	32C5	PCI_CBE<0>	4	5M1	5	NO_TEST	33B2	56C7
	55A6	34B6	32C5	32C5	PCI_CBE<2>	1	RP79	8	PCI_CBE<2>	33C3	56C7
	55A6	34B6	32C5	32C5	PCI_CBE<3>	2	33	7	NO_TEST	33C3	56C7
					NO_PCB0	NO_TEST	3	5A	6	NO_TEST	NO_PCB0
					NO_PCB1	NO_TEST	4	5M1	5	NO_TEST	NO_PCB1



WIRELESS CARD MOUNTING HARDWARE SUPPORT

PART NUMBER	QTY	DESCRIPTION	REFERENCE DES	CRITICAL	BOM OPTION
815-7245	1	WIRELESS CARD GUIDE, J25	J251		
452-0411	2	NUT, HEX, M2 X 1.5H, J25	J252, J253		
452-0412	2	SCREW, M2 X 0.4 X 6.0 L, J25	J254, J255		

WIRELESS PCI

NOTICE OF PROPRIETARY PROPERTY

LAST MODIFIED: Wed May 28 20:23:40 2003

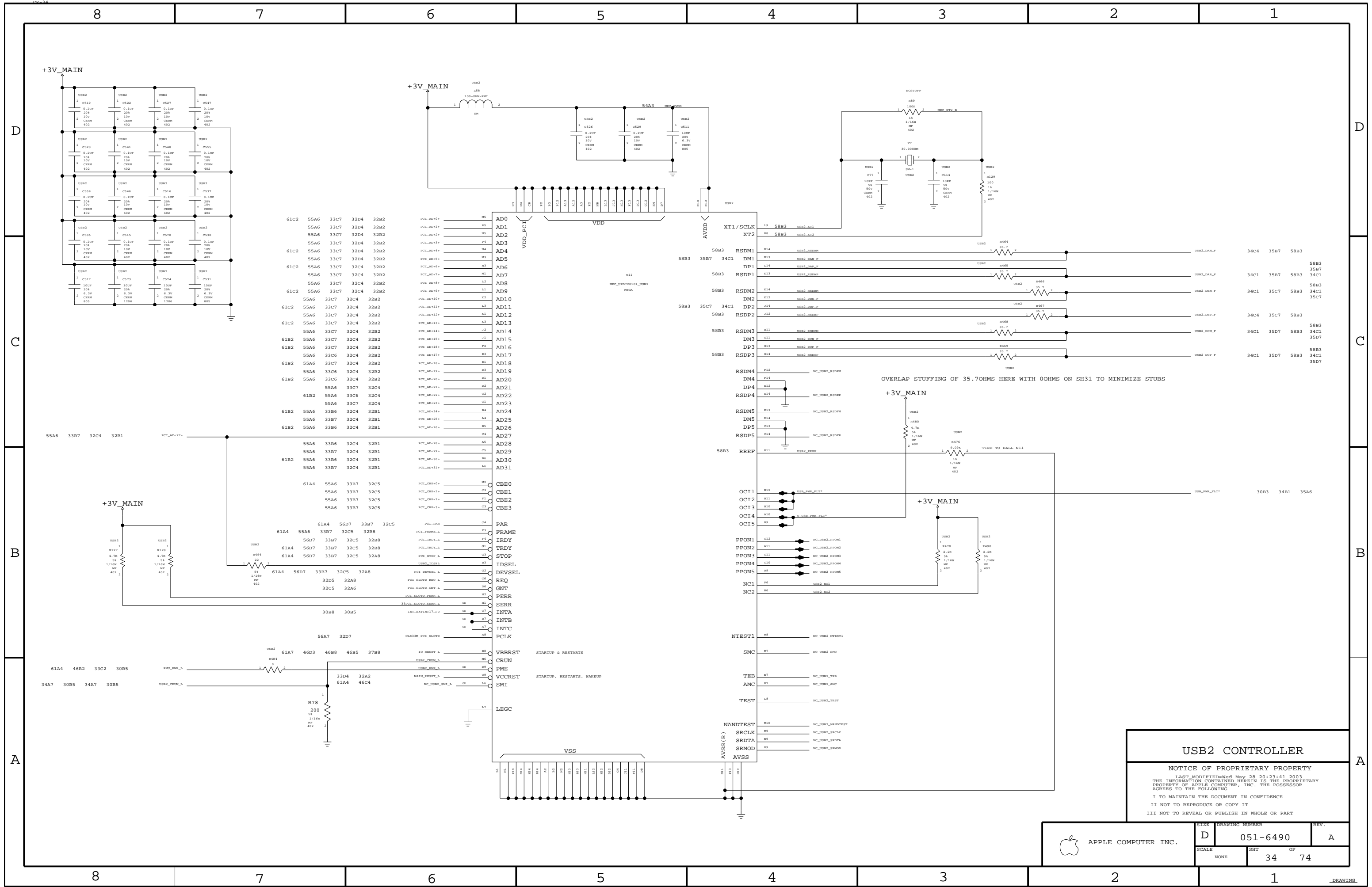
THE INFORMATION CONTAINED HEREIN IS THE PROPRIETARY PROPERTY OF APPLE COMPUTER, INC. THE POSSESSOR AGREES TO THE FOLLOWING

I TO MAINTAIN THE DOCUMENT IN CONFIDENCE

II NOT TO REPRODUCE OR COPY IT

III NOT TO REVEAL OR PUBLISH IN WHOLE OR PART

APPLE COMPUTER INC.	SIZE	DRAWING NUMBER	REV.
	D	051-6490	A
SCALE	SHT	OF	
NONE	33	74	

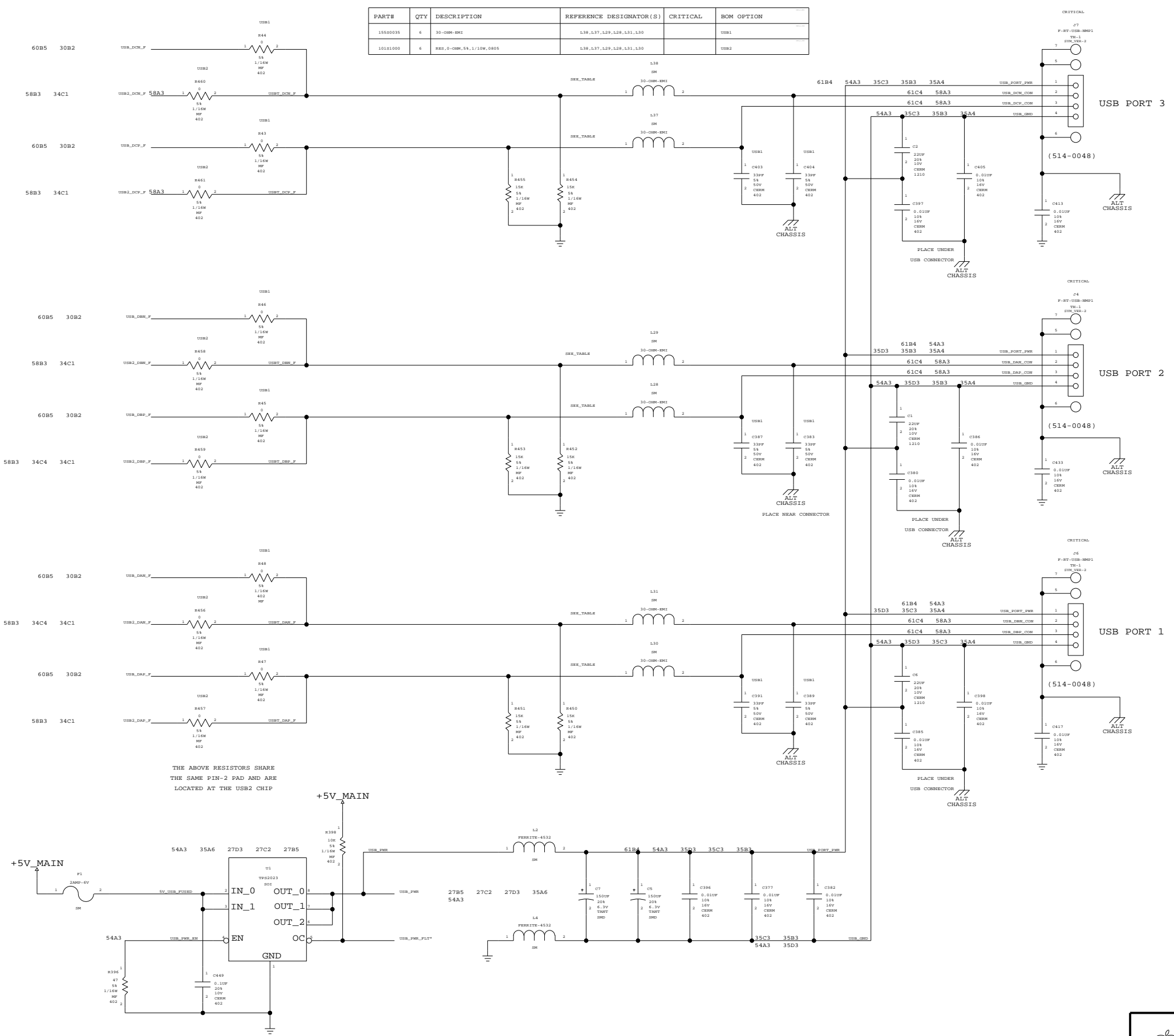


USB2 CONTROLLER

NOTICE OF PROPRIETARY PROPERTY
 LAST MODIFIED: Wed May 28 20:23:41 2003
 THE INFORMATION CONTAINED HEREIN IS THE PROPRIETARY
 PROPERTY OF APPLE COMPUTER, INC. THE POSSESSOR
 AGREES TO THE FOLLOWING
 I TO MAINTAIN THE DOCUMENT IN CONFIDENCE
 II NOT TO REPRODUCE OR COPY IT
 III NOT TO REVEAL OR PUBLISH IN WHOLE OR PART

APPLE COMPUTER INC.	SIZE D	DRAWING NUMBER 051-6490	REV. A
	SCALE NONE	SHEET 34	OF 74

PART#	QTY	DESCRIPTION	REFERENCE DESIGNATOR(S)	CRITICAL	BOM OPTION
15550035	6	30-OHM-0801	L38,L37,L29,L28,L31,L30		USB1
10151000	6	RES,0-OHM,5%,1/10W,0805	L38,L37,L29,L28,L31,L30		USB2

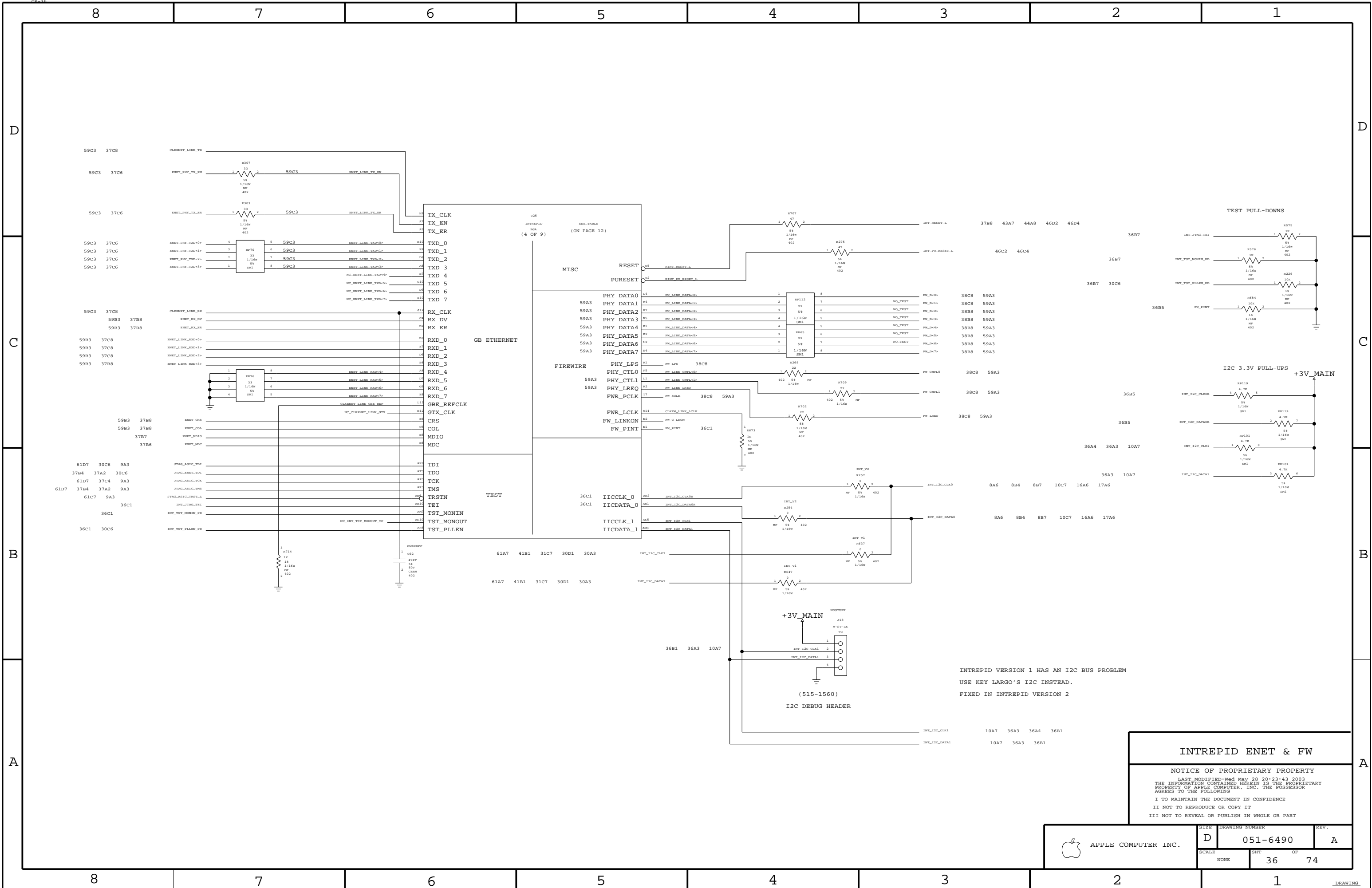


THE ABOVE RESISTORS SHARE THE SAME PIN-2 PAD AND ARE LOCATED AT THE USB2 CHIP

USB CONNS & PWR

NOTICE OF PROPRIETARY PROPERTY
 LAST MODIFIED: Wed May 28 20:23:42 2003
 THE INFORMATION CONTAINED HEREIN IS THE PROPRIETARY PROPERTY OF APPLE COMPUTER, INC. THE POSSESSOR AGREES TO THE FOLLOWING
 I TO MAINTAIN THE DOCUMENT IN CONFIDENCE
 II NOT TO REPRODUCE OR COPY IT
 III NOT TO REVEAL OR PUBLISH IN WHOLE OR PART

APPLE COMPUTER INC.	SIZE	DRAWING NUMBER	REV.
	D	051-6490	A
SCALE	SHT	OF	
NONE	35	74	



INTREPID VERSION 1 HAS AN I2C BUS PROBLEM
 USE KEY LARGO'S I2C INSTEAD.
 FIXED IN INTREPID VERSION 2

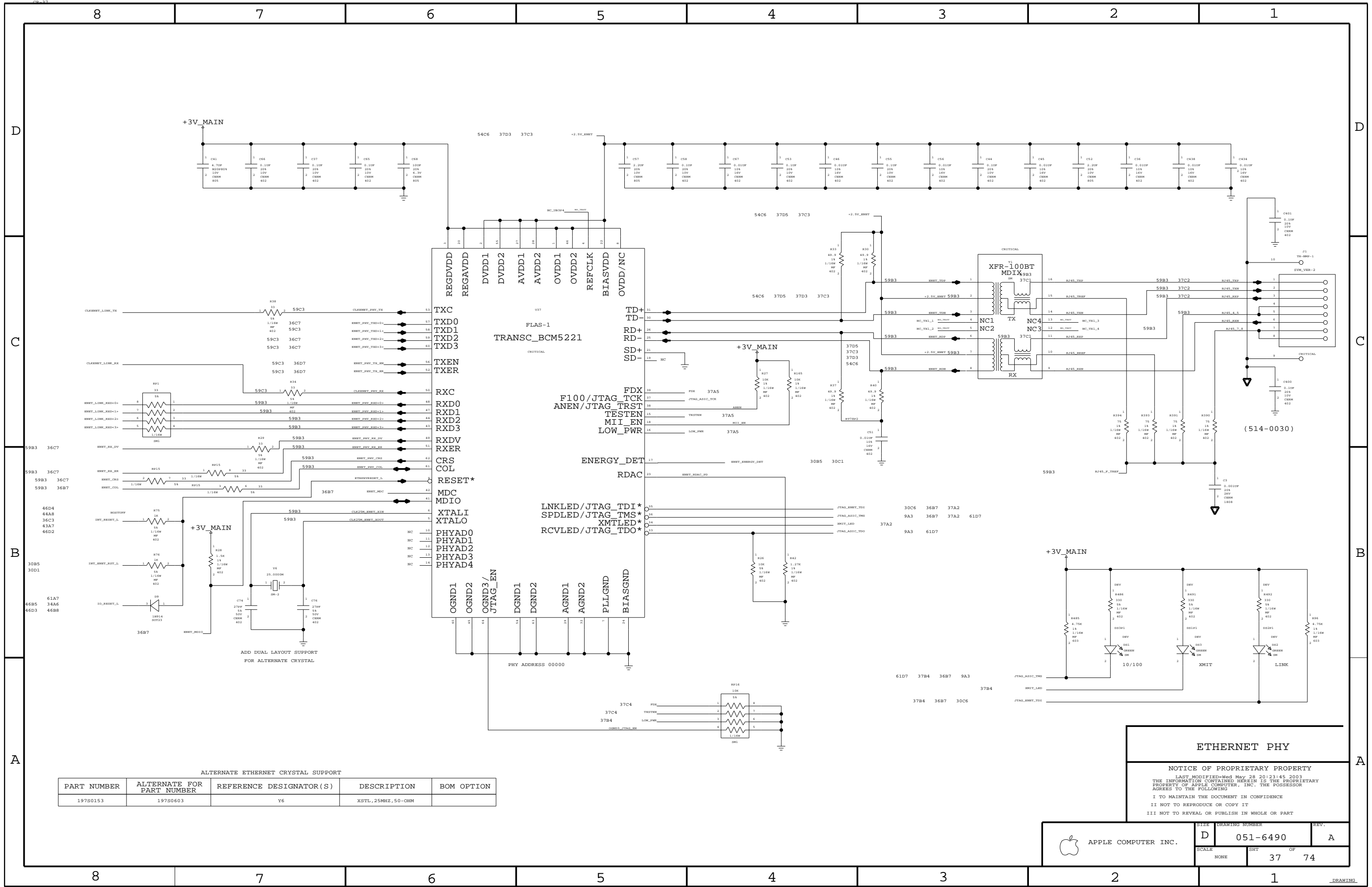
INTREPID ENET & FW

NOTICE OF PROPRIETARY PROPERTY

LAST MODIFIED: Wed May 28 20:23:43 2003
 THE INFORMATION CONTAINED HEREIN IS THE PROPRIETARY PROPERTY OF APPLE COMPUTER, INC. THE POSSESSOR AGREES TO THE FOLLOWING

I TO MAINTAIN THE DOCUMENT IN CONFIDENCE
 II NOT TO REPRODUCE OR COPY IT
 III NOT TO REVEAL OR PUBLISH IN WHOLE OR PART

APPLE COMPUTER INC.	SIZE D	DRAWING NUMBER 051-6490	REV. A
	SCALE NONE	SHEET 36	OF 74



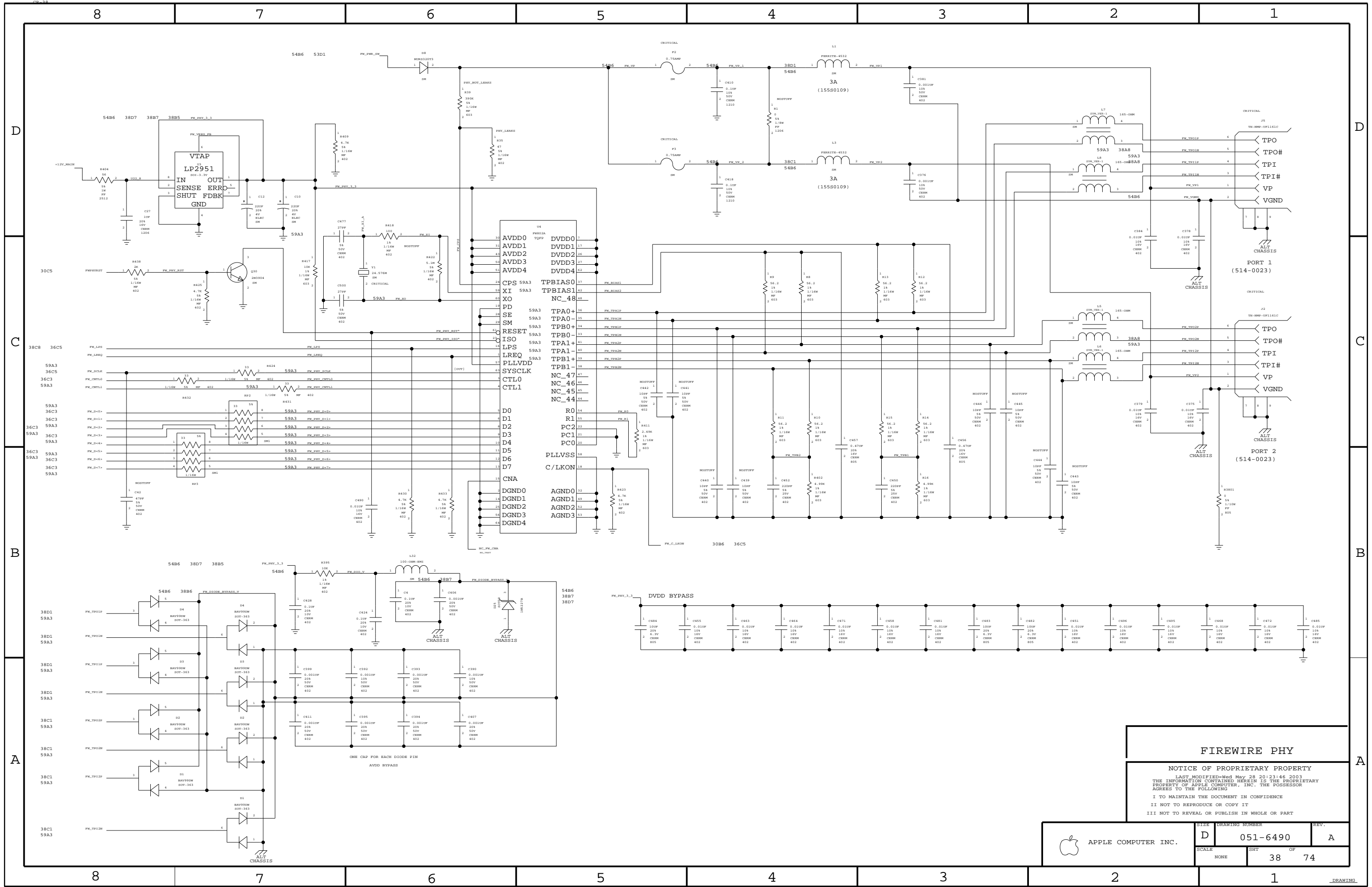
ETHERNET PHY

NOTICE OF PROPRIETARY PROPERTY
 LAST MODIFIED: Wed May 28 20:23:45 2003
 THE INFORMATION CONTAINED HEREIN IS THE PROPRIETARY PROPERTY OF APPLE COMPUTER, INC. THE POSSESSOR AGREES TO THE FOLLOWING:
 I TO MAINTAIN THE DOCUMENT IN CONFIDENCE
 II NOT TO REPRODUCE OR COPY IT
 III NOT TO REVEAL OR PUBLISH IN WHOLE OR PART

ALTERNATE ETHERNET CRYSTAL SUPPORT

PART NUMBER	ALTERNATE FOR PART NUMBER	REFERENCE DESIGNATOR(S)	DESCRIPTION	BOM OPTION
197S0153	197S0603	Y6	XSTL, 25MHZ, 50-OHM	

APPLE COMPUTER INC.	SIZE D	DRAWING NUMBER 051-6490	REV. A
	SCALE NONE	SHEET 37	OF 74



FIREWIRE PHY

NOTICE OF PROPRIETARY PROPERTY
 LAST MODIFIED: Wed May 28 20:23:46 2003
 THE INFORMATION CONTAINED HEREIN IS THE PROPRIETARY
 PROPERTY OF APPLE COMPUTER, INC. THE POSSESSOR
 AGREES TO THE FOLLOWING

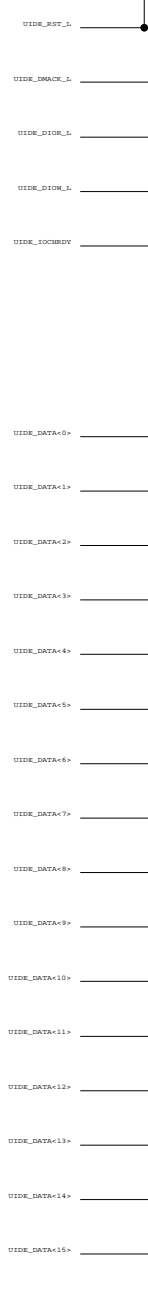
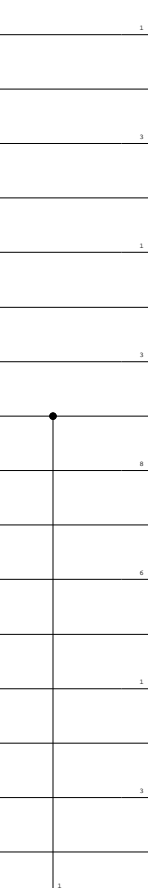
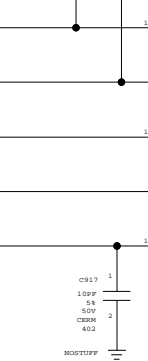
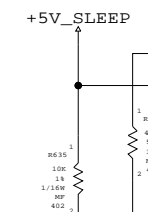
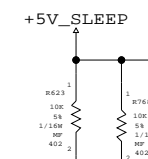
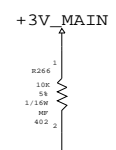
I TO MAINTAIN THE DOCUMENT IN CONFIDENCE
 II NOT TO REPRODUCE OR COPY IT
 III NOT TO REVEAL OR PUBLISH IN WHOLE OR PART

APPLE COMPUTER INC.	SIZE D	DRAWING NUMBER 051-6490	REV. A
	SCALE NONE	SHEET 38	OF 74

D
C
B
A

D
C
B
A

UATA100		ATA_D0	UATA100	UATA100	39C3	60C5
		ATA_D1	UATA100	UATA100	39C3	60C5
		ATA_D2	UATA100	UATA100	39C3	60C5
		ATA_D3	UATA100	UATA100	39C3	60C5
		ATA_D4	UATA100	UATA100	39B3	60C5
		ATA_D5	UATA100	UATA100	39B3	60C5
		ATA_D6	UATA100	UATA100	39B3	60C5
		ATA_D7	UATA100	UATA100	39B3	60C5
		ATA_D8	UATA100	UATA100	39B3	60C5
		ATA_D9	UATA100	UATA100	39B3	60C5
		ATA_D10	UATA100	UATA100	39B3	60C5
		ATA_D11	UATA100	UATA100	39B3	60C5
		ATA_D12	UATA100	UATA100	39B3	60C5
		ATA_D13	UATA100	UATA100	39A3	60C5
		ATA_D14	UATA100	UATA100	39A3	60C5
		ATA_D15	UATA100	UATA100	39A3	60C5
		ATA_A0	UATA100	UATA100	40B4	60B5
		ATA_A1	UATA100	UATA100	40B4	60B5
		ATA_A2	UATA100	UATA100	40A4	60B5
		ATA_VREP	UATA100	UATA100		
		ATA_RST	UATA100	UATA100	39D3	60C5
		ATA_WR	UATA100	UATA100	39C3	60C5
		ATA_RD	UATA100	UATA100	39D3	60C5
		ATA_CHRDY	UATA100	UATA100	39C3	60C5
		ATA_CS0	UATA100	UATA100	40B4	60B5
		ATA_CS1	UATA100	UATA100	40B4	60B5
		ATA_DMACK	UATA100	UATA100	39D3	60C5
		ATA_DMARQ	UATA100	UATA100	40C4	60C5
		ATA_INTRQ	UATA100	UATA100	40C4	60C5
		CS_CE1	CARDSLOT	CARDSLOT		
		CS_CE2	CARDSLOT	CARDSLOT		
		CS_IORD	CARDSLOT	CARDSLOT		
		CS_IOWR	CARDSLOT	CARDSLOT		
		CS_OE	CARDSLOT	CARDSLOT		
		CS_WE	CARDSLOT	CARDSLOT		
		CS_WAIT	CARDSLOT	CARDSLOT		
		IDEDD0	IDE	IDE	39C5	60D5
		IDEDD1	IDE	IDE	39C5	60D5
		IDEDD2	IDE	IDE	39C5	60D5
		IDEDD3	IDE	IDE	39C5	60D5
		IDEDD4	IDE	IDE	39B5	60D5
		IDEDD5	IDE	IDE	39B5	60D5
		IDEDD6	IDE	IDE	39B5	60D5
		IDEDD7	IDE	IDE	39B5	60D5
		IDEDD8	IDE	IDE	39B5	60D5
		IDEDD9	IDE	IDE	39B5	60D5
		IDEDD10	IDE	IDE	39B5	60D5
		IDEDD11	IDE	IDE	39B5	60D5
		IDEDD12	IDE	IDE	39B5	60D5
		IDEDD13	IDE	IDE	39A5	60D5
		IDEDD14	IDE	IDE	39A5	60D5
		IDEDD15	IDE	IDE	39A5	60D5
		IDEA0	IDE	IDE	40B8	60C5
		IDEA1	IDE	IDE	40B8	60C5
		IDEA2	IDE	IDE	40A8	60C5
		IDEA3	IDE	IDE		
		IDEA4	IDE	IDE		
		IDEA5	IDE	IDE		
		IDEA6	IDE	IDE		
		IDEA7	IDE	IDE		
		IDEA8	IDE	IDE		
		IDEA9	IDE	IDE		
		IDECHRDY	IDE	IDE	39C5	60D5
		IDECSD	IDE	IDE	40B8	60C5
		IDECSS	IDE	IDE	40B8	60C5
		IDERST	IDE	IDE	39D5	60D5
		IDEMR	IDE	IDE	39D5	60D5
		IDERD	IDE	IDE	39C5	60D5
		IDEMACK	IDE	IDE	39D5	60D5
		IDEMARQ	IDE	IDE	40C8	60D5
		IDEINTRQ	IDE	IDE	40C8	60D5



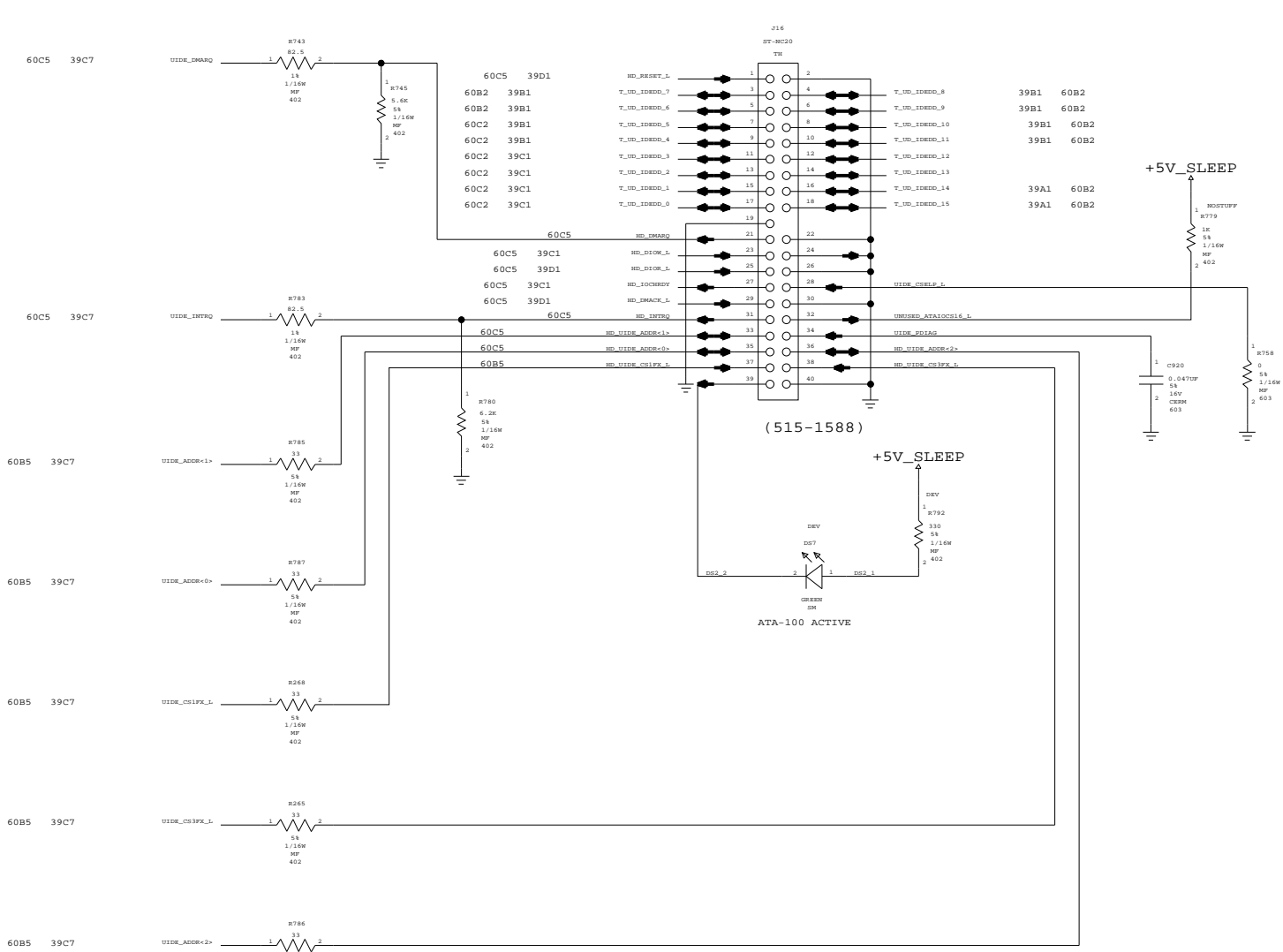
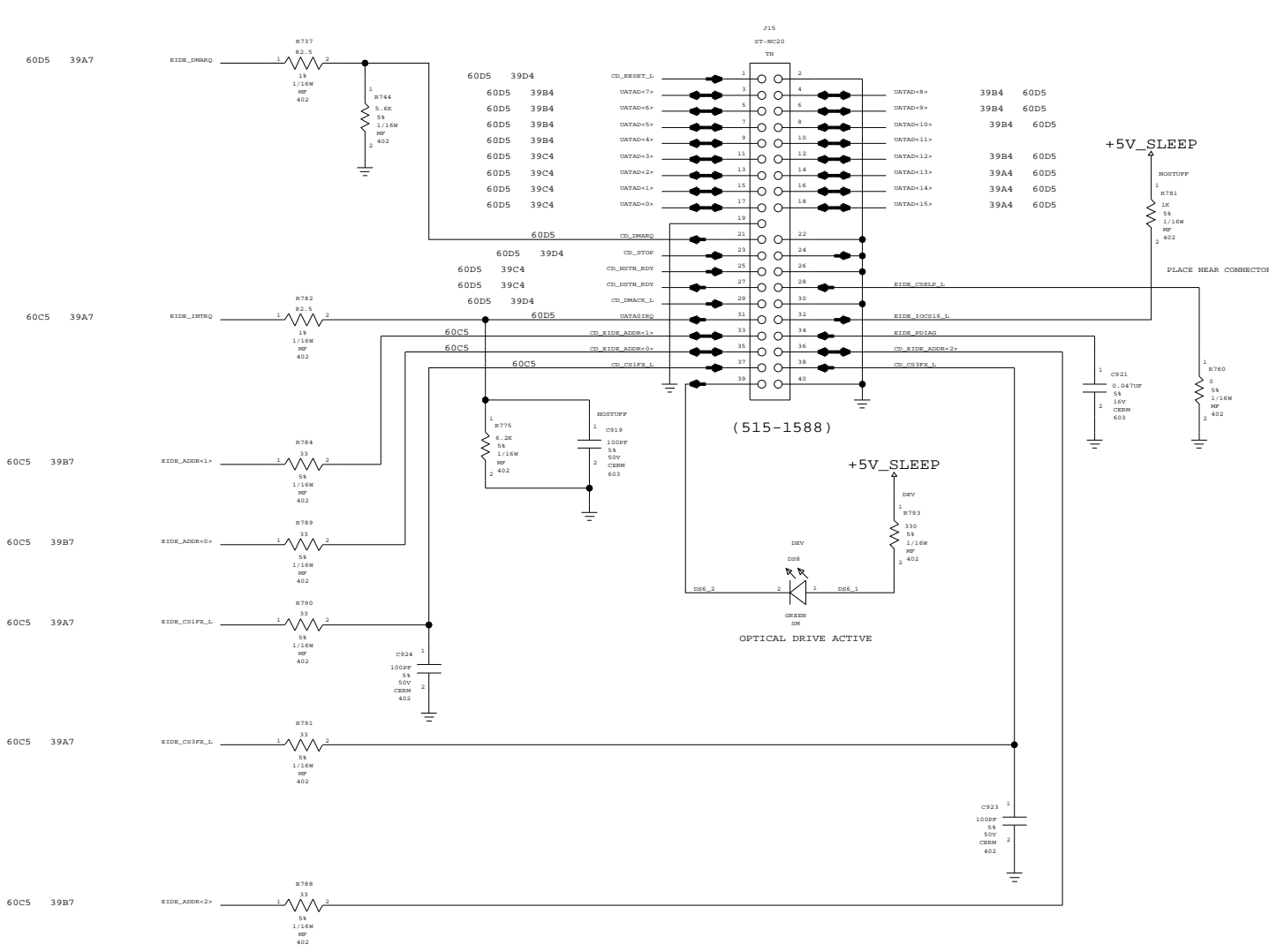
INTREPID UATA/IDE

NOTICE OF PROPRIETARY PROPERTY
 LAST MODIFIED: Wed May 28 20:23:48 2003
 THE INFORMATION CONTAINED HEREIN IS THE PROPRIETARY PROPERTY OF APPLE COMPUTER, INC. THE POSSESSOR AGREES TO THE FOLLOWING:
 I TO MAINTAIN THE DOCUMENT IN CONFIDENCE
 II NOT TO REPRODUCE OR COPY IT
 III NOT TO REVEAL OR PUBLISH IN WHOLE OR PART

APPLE COMPUTER INC.	SIZE	DRAWING NUMBER	REV.
	D	051-6490	A
SCALE	SHT	OF	
NONE	39	74	

OPTICAL DRIVE INTERFACE

ATA-100 INTERFACE



CD/HD CONS

NOTICE OF PROPRIETARY PROPERTY

LAST MODIFIED: Wed May 28 20:23:49 2003

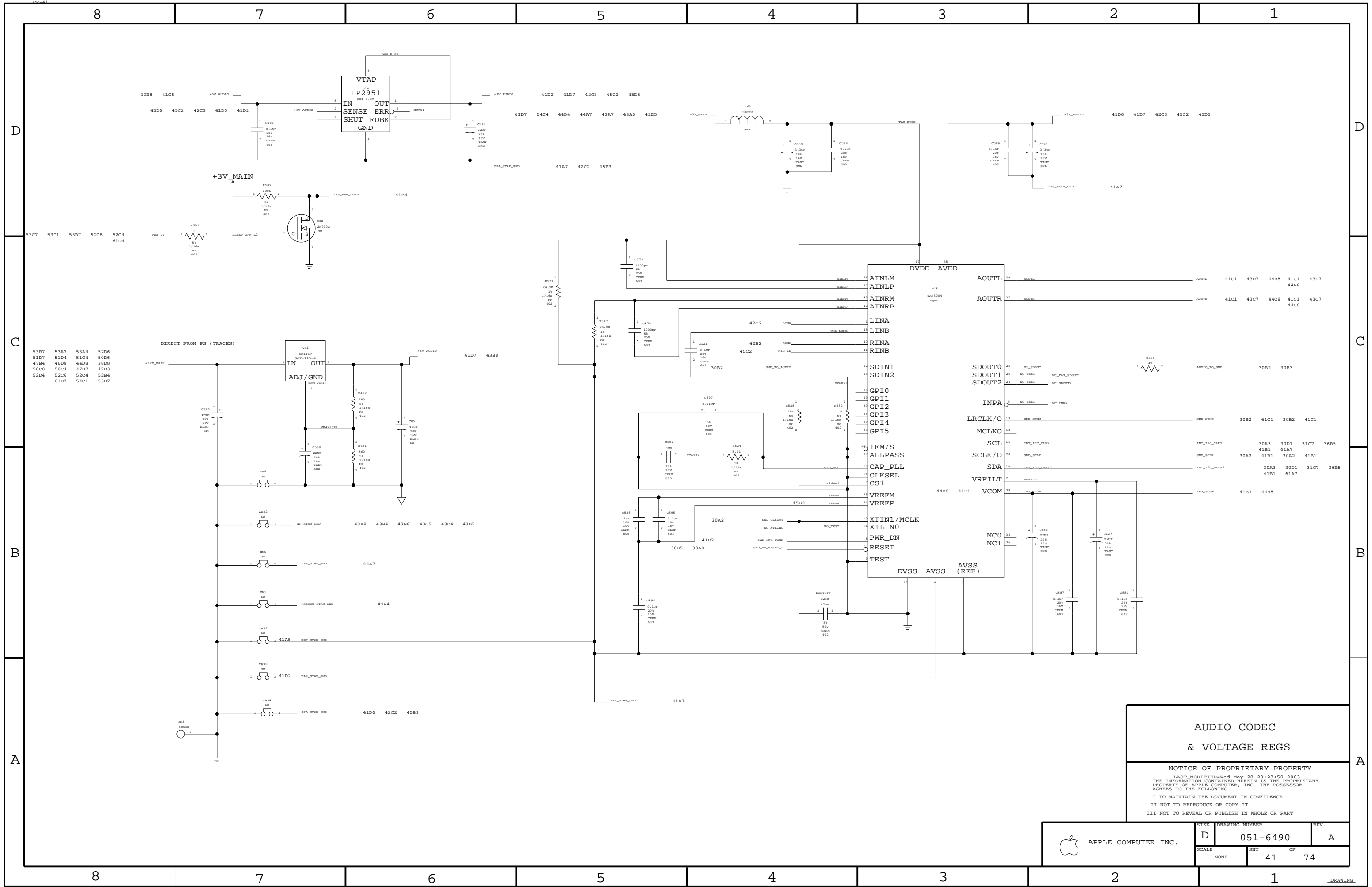
THE INFORMATION CONTAINED HEREIN IS THE PROPRIETARY PROPERTY OF APPLE COMPUTER, INC. THE POSSESSOR AGREES TO THE FOLLOWING

I TO MAINTAIN THE DOCUMENT IN CONFIDENCE

II NOT TO REPRODUCE OR COPY IT

III NOT TO REVEAL OR PUBLISH IN WHOLE OR PART

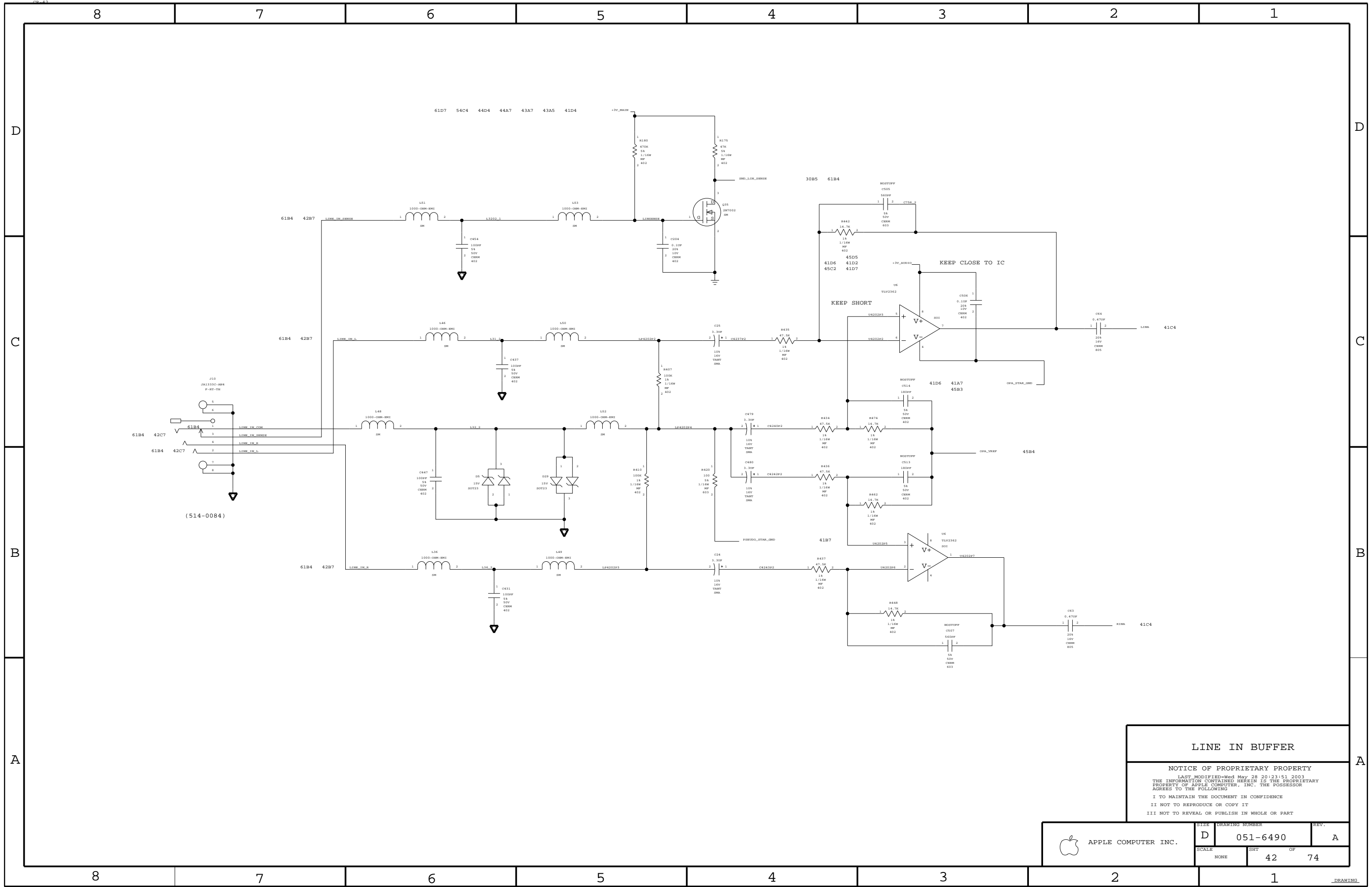
APPLE COMPUTER INC.	SIZE	DRAWING NUMBER	REV.
	D	051-6490	A
SCALE	SHT		OF
NONE	40		74



**AUDIO CODEC
& VOLTAGE REGS**

NOTICE OF PROPRIETARY PROPERTY
 LAST MODIFIED=Wed May 28 20:23:50 2003
 THE INFORMATION CONTAINED HEREIN IS THE PROPRIETARY
 PROPERTY OF APPLE COMPUTER, INC. THE POSSESSOR
 AGREES TO THE FOLLOWING
 I TO MAINTAIN THE DOCUMENT IN CONFIDENCE
 II NOT TO REPRODUCE OR COPY IT
 III NOT TO REVEAL OR PUBLISH IN WHOLE OR PART

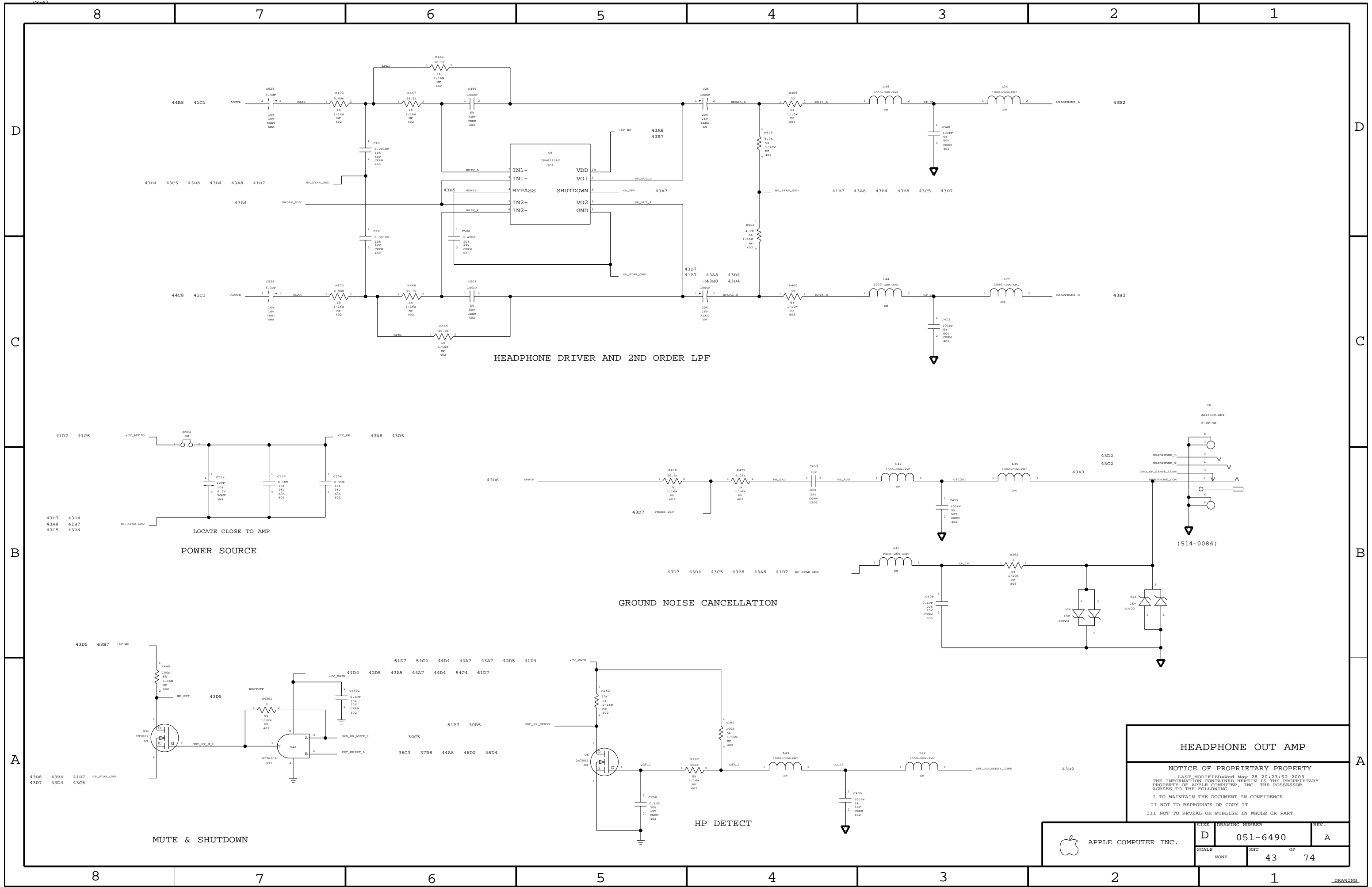
APPLE COMPUTER INC.	SIZE D	DRAWING NUMBER 051-6490	REV. A
	SCALE NONE	SHEET 41	OF 74



LINE IN BUFFER

NOTICE OF PROPRIETARY PROPERTY
 LAST MODIFIED: Wed May 28 20:23:51 2003
 THE INFORMATION CONTAINED HEREIN IS THE PROPRIETARY PROPERTY OF APPLE COMPUTER, INC. THE POSSESSOR AGREES TO THE FOLLOWING
 I TO MAINTAIN THE DOCUMENT IN CONFIDENCE
 II NOT TO REPRODUCE OR COPY IT
 III NOT TO REVEAL OR PUBLISH IN WHOLE OR PART

APPLE COMPUTER INC.	SIZE D	DRAWING NUMBER 051-6490	REV. A
	SCALE NONE	SHEET 42	OF 74



HEADPHONE DRIVER AND 2ND ORDER LPF

POWER SOURCE

GROUND NOISE CANCELLATION

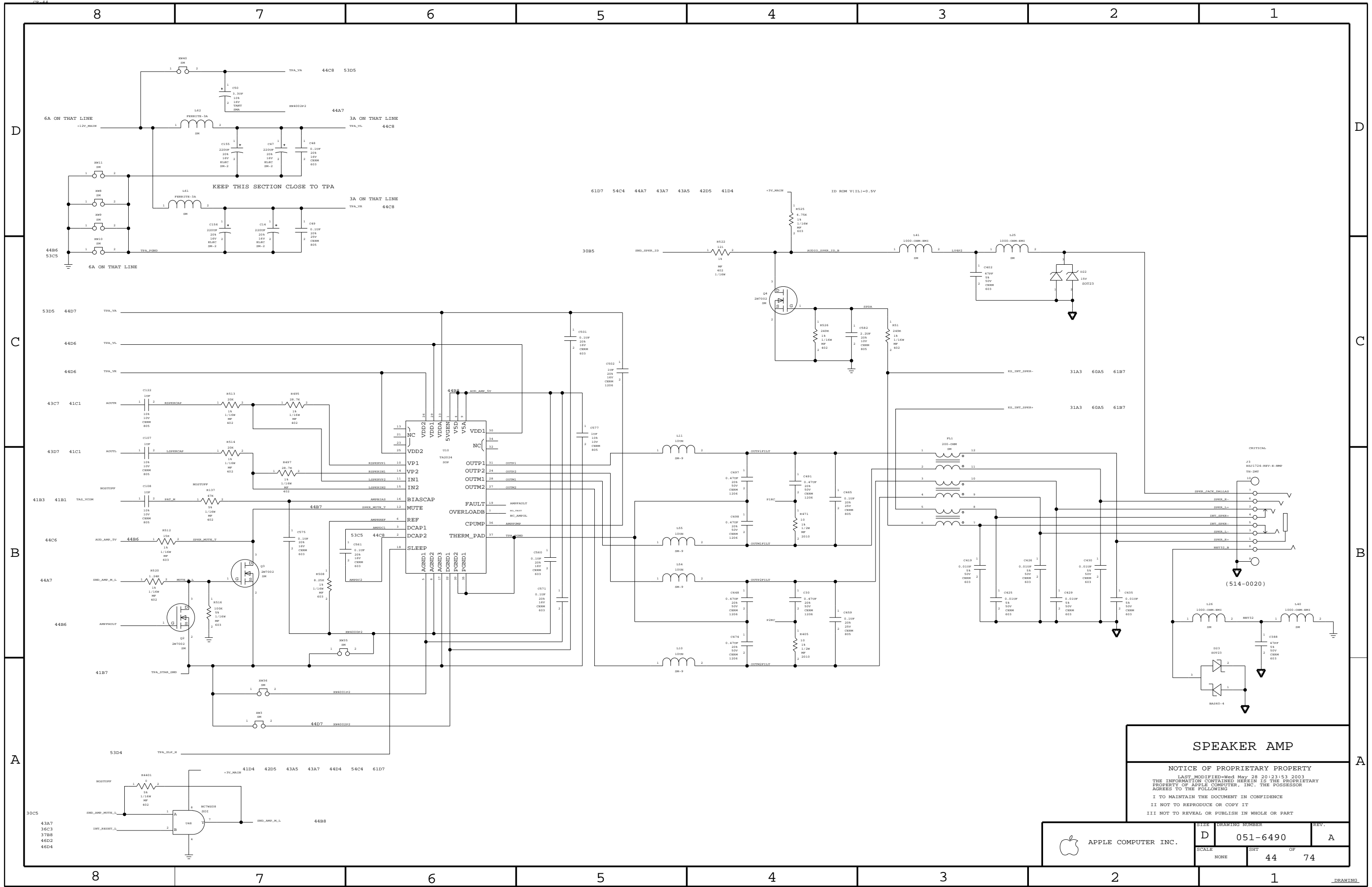
MUTE & SHUTDOWN

HP DETECT

HEADPHONE OUT AMP

NOTICE OF PROPRIETARY PROPERTY
 LAST MODIFIED: Wed May 28 20:23:52 2003
 THE INFORMATION CONTAINED HEREIN IS THE PROPRIETARY PROPERTY OF APPLE COMPUTER, INC. THE POSSESSOR AGREES TO THE FOLLOWING:
 I TO MAINTAIN THE DOCUMENT IN CONFIDENCE
 II NOT TO REPRODUCE OR COPY IT
 III NOT TO REVEAL OR PUBLISH IN WHOLE OR PART

APPLE COMPUTER INC.	SIZE D	DRAWING NUMBER 051-6490	REV. A
	SCALE NONE	SHEET 43	OF 74

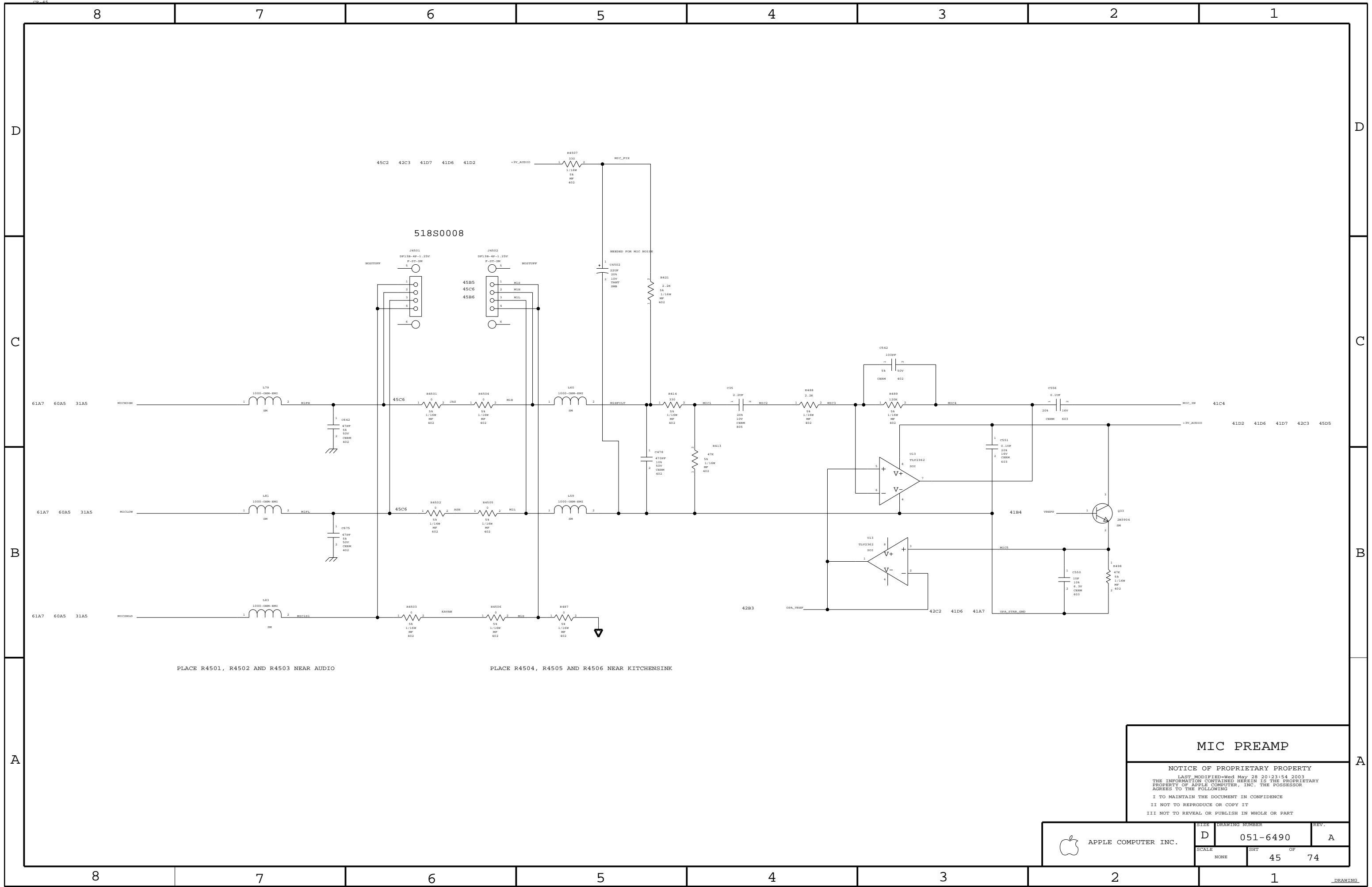


SPEAKER AMP

NOTICE OF PROPRIETARY PROPERTY
 LAST MODIFIED: Wed May 28 20:23:53 2003
 THE INFORMATION CONTAINED HEREIN IS THE PROPRIETARY
 PROPERTY OF APPLE COMPUTER, INC. THE POSSESSOR
 AGREES TO THE FOLLOWING
 I TO MAINTAIN THE DOCUMENT IN CONFIDENCE
 II NOT TO REPRODUCE OR COPY IT
 III NOT TO REVEAL OR PUBLISH IN WHOLE OR PART

APPLE COMPUTER INC.	DRAWING NUMBER 051-6490	REV. A
	SCALE NONE	SHEET 44 OF 74

- 43A7
- 36C3
- 37B8
- 46D2
- 46D4




PLACE R4501, R4502 AND R4503 NEAR AUDIO

PLACE R4504, R4505 AND R4506 NEAR KITCHENSINK

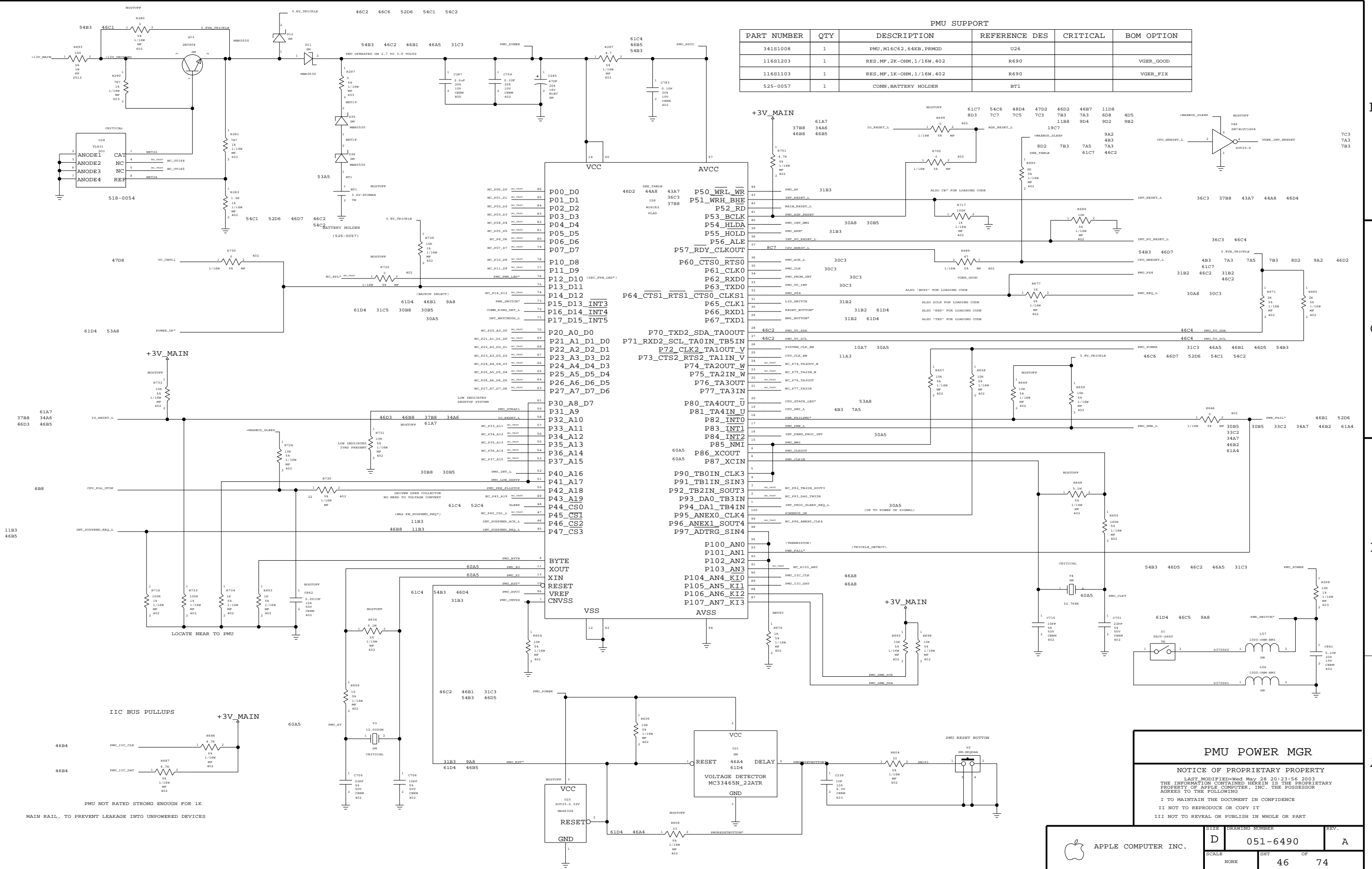
MIC PREAMP

NOTICE OF PROPRIETARY PROPERTY
 LAST MODIFIED: Wed May 28 20:23:54 2003
 THE INFORMATION CONTAINED HEREIN IS THE PROPRIETARY
 PROPERTY OF APPLE COMPUTER, INC. THE POSSESSOR
 AGREES TO THE FOLLOWING
 I TO MAINTAIN THE DOCUMENT IN CONFIDENCE
 II NOT TO REPRODUCE OR COPY IT
 III NOT TO REVEAL OR PUBLISH IN WHOLE OR PART

 APPLE COMPUTER INC.	SIZE	DRAWING NUMBER	REV.
	D	051-6490	A
SCALE	SHT	OF	
NONE	45	74	

PMU SUPPORT

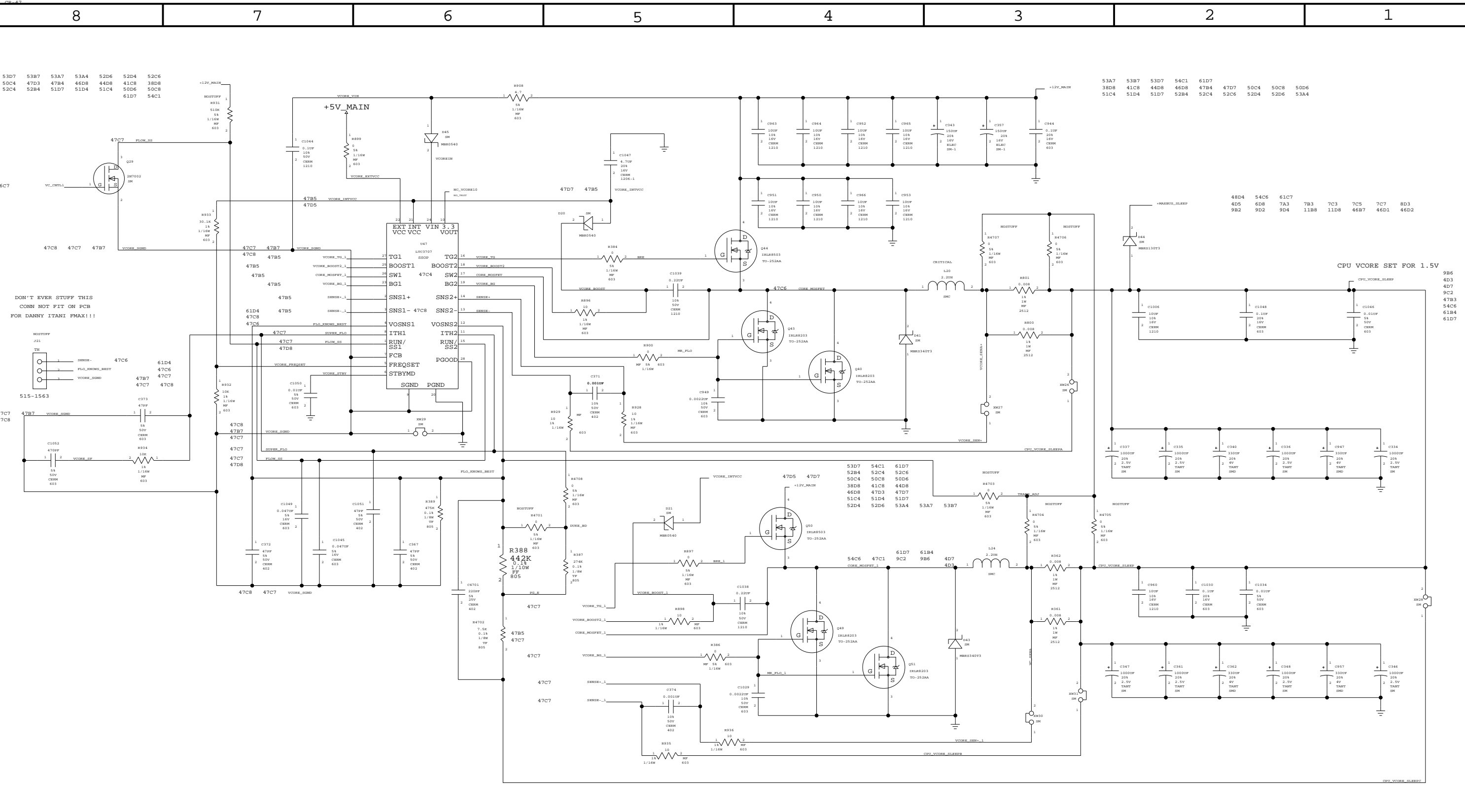
PART NUMBER	QTY	DESCRIPTION	REFERENCE DES	CRITICAL	BOM OPTION
341S1008	1	PMU, M16C62, 64KB, PRMGD	U26		
116S1203	1	RES, MF, 2K-OHM, 1/16W, 402	R690		VGER_GOOD
116S1103	1	RES, MF, 1K-OHM, 1/16W, 402	R690		VGER_FIX
525-0057	1	CONN, BATTERY HOLDER	BT1		



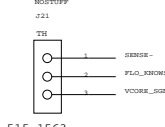
PMU POWER MGR

NOTICE OF PROPRIETARY PROPERTY
 LAST MODIFIED: Wed May 28 20:23:56 2003
 THE INFORMATION CONTAINED HEREIN IS THE PROPRIETARY PROPERTY OF APPLE COMPUTER, INC. THE POSSESSOR AGREES TO THE FOLLOWING:
 I TO MAINTAIN THE DOCUMENT IN CONFIDENCE
 II NOT TO REPRODUCE OR COPY IT
 III NOT TO REVEAL OR PUBLISH IN WHOLE OR PART

APPLE COMPUTER INC.	SIZE	DRAWING NUMBER	REV.
	D	051-6490	A
SCALE	SHT	OF	
NONE	46	74	



DON'T EVER STUFF THIS
CONN NOT FIT ON PCB
FOR DANNY ITANI PMAK!!!



KUMA SERVER(1):HARDWARE:KUMA DESIGNS:KUMA POWER SUPPLIES:Vcore WITH AVP TABLES

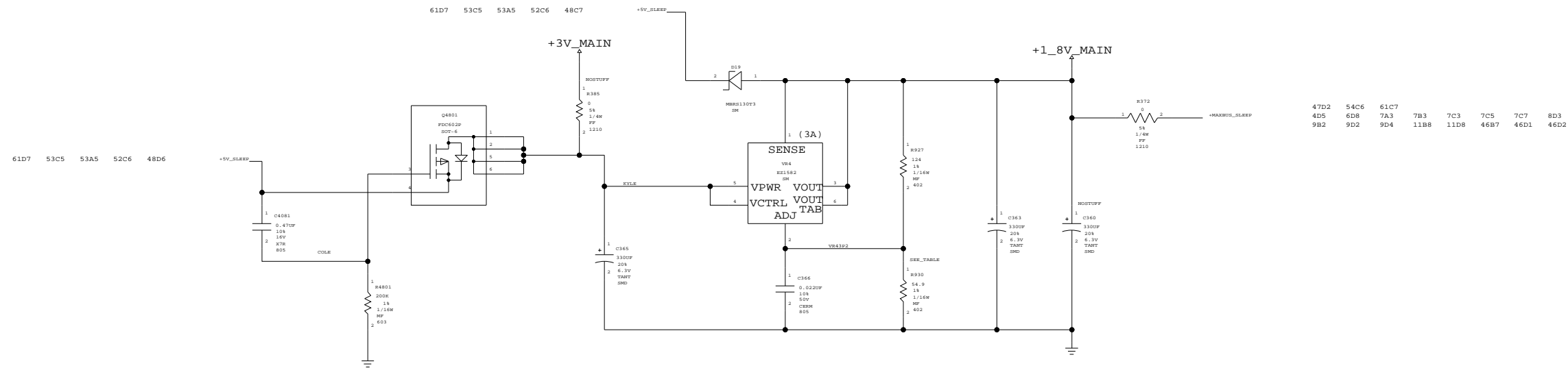
PART NUMBER	ALTERNATE FOR PART NUMBER	REFERENCE DESIGNATOR(S)	DESCRIPTION	BOM OPTION
128S0018	128S0012	C340,C362,C947,C957	330UF, 2.5V,TANT	

CPU & AGP VREGS

NOTICE OF PROPRIETARY PROPERTY
 LAST MODIFIED:Wed May 28 20:23:57 2003
 THE INFORMATION CONTAINED HEREIN IS THE PROPRIETARY
 PROPERTY OF APPLE COMPUTER, INC. THE POSSESSOR
 AGREES TO THE FOLLOWING
 I TO MAINTAIN THE DOCUMENT IN CONFIDENCE
 II NOT TO REPRODUCE OR COPY IT
 III NOT TO REVEAL OR PUBLISH IN WHOLE OR PART

	APPLE COMPUTER INC.		SIZE	DRAWING NUMBER	REV.
			D	051-6490	A
SCALE		SHT		OF	
NONE		47		74	

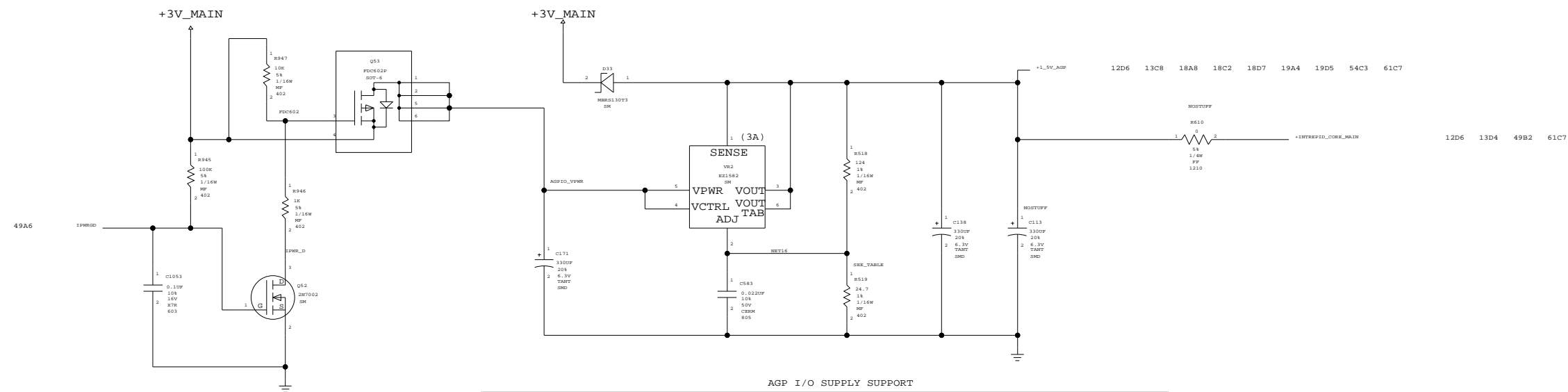
INTREPID MAXBUS & CPU OVDD POWER CONVERTER
(OFF DURING SLEEP)



MAXBUS I/O SUPPLY SUPPORT

PART NUMBER	QTY	DESCRIPTION	REFERENCE DES	CRITICAL	BOM OPTION
11482491	1	RES, FF, 24.9-OHM, 1%	R930		MAXIO_1'50V
11483481	1	RES, FF, 34.8-OHM, 1%	R930		MAXIO_1'65V
11484421	1	RES, FF, 44.2-OHM, 1%	R930		MAXIO_1'70V
11485491	1	RES, FF, 54.9-OHM, 1%	R930		MAXIO_1'80V

AGP I/O POWER CONVERTER



AGP I/O SUPPLY SUPPORT

PART NUMBER	QTY	DESCRIPTION	REFERENCE DES	CRITICAL	BOM OPTION
11482491	1	RES, FF, 24.9-OHM, 1%	R519		AGPIO_1'50V
11483481	1	RES, FF, 34.8-OHM, 1%	R519		AGPIO_1'65V
11484421	1	RES, FF, 44.2-OHM, 1%	R519		AGPIO_1'70V
11485491	1	RES, FF, 54.9-OHM, 1%	R519		AGPIO_1'80V

CPU & AGP VREGS

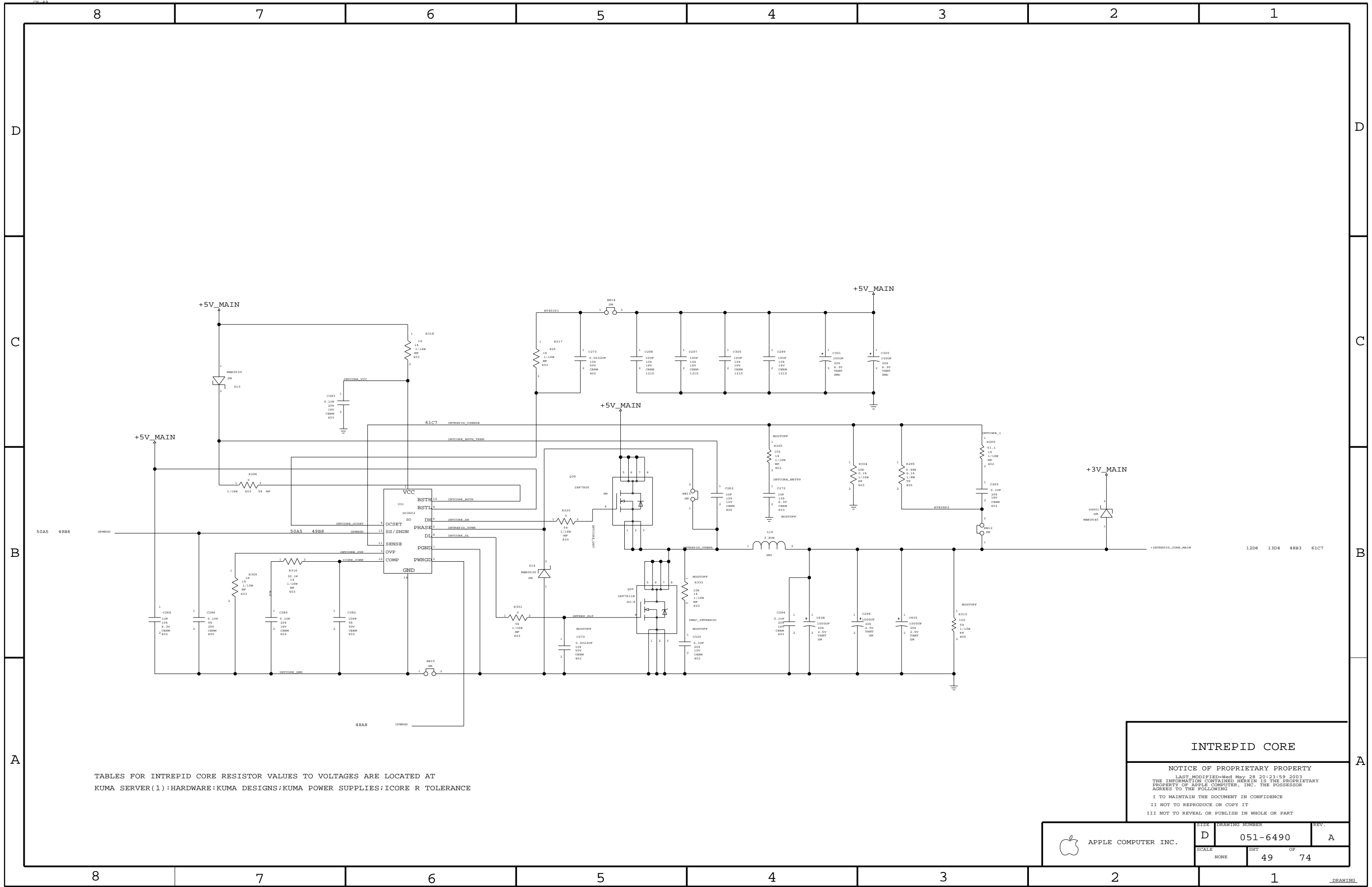
NOTICE OF PROPRIETARY PROPERTY
LAST MODIFIED: Wed May 28 20:23:58 2003
THE INFORMATION CONTAINED HEREIN IS THE PROPRIETARY
PROPERTY OF APPLE COMPUTER, INC. THE POSSESSOR
AGREES TO THE FOLLOWING

- I TO MAINTAIN THE DOCUMENT IN CONFIDENCE
- II NOT TO REPRODUCE OR COPY IT
- III NOT TO REVEAL OR PUBLISH IN WHOLE OR PART



APPLE COMPUTER INC.

SIZE	DRAWING NUMBER	REV.
D	051-6490	A
SCALE	SHT	OF
NONE	48	74

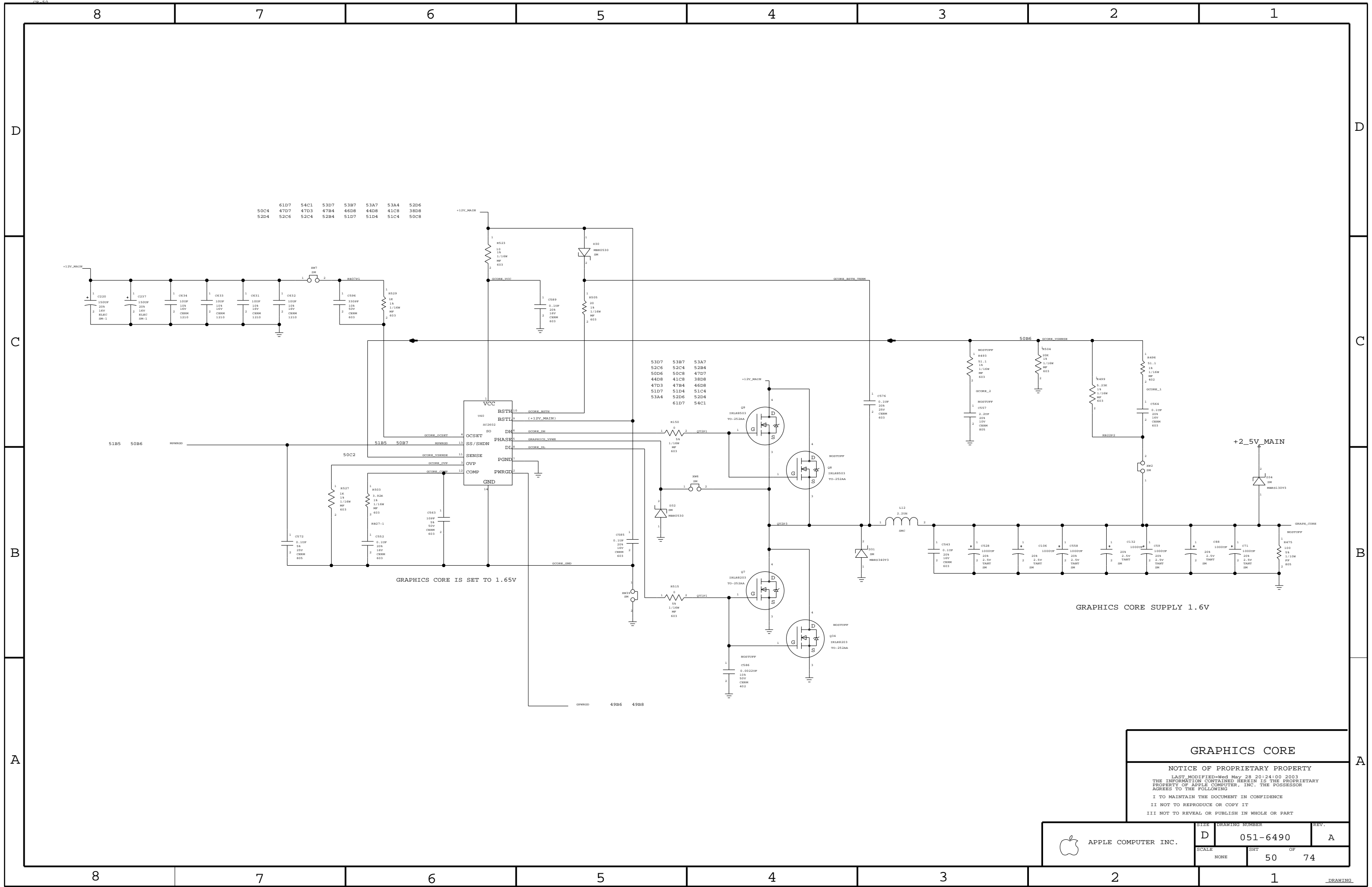


TABLES FOR INTREPID CORE RESISTOR VALUES TO VOLTAGES ARE LOCATED AT
 KUMA SERVER(1):HARDWARE:KUMA DESIGNS;KUMA POWER SUPPLIES;ICORE R TOLERANCE

INTREPID CORE

NOTICE OF PROPRIETARY PROPERTY
 LAST MODIFIED: Wed May 28 20:23:59 2003
 THE INFORMATION CONTAINED HEREIN IS THE PROPRIETARY
 PROPERTY OF APPLE COMPUTER, INC. THE POSSESSOR
 AGREES TO THE FOLLOWING
 I TO MAINTAIN THE DOCUMENT IN CONFIDENCE
 II NOT TO REPRODUCE OR COPY IT
 III NOT TO REVEAL OR PUBLISH IN WHOLE OR PART

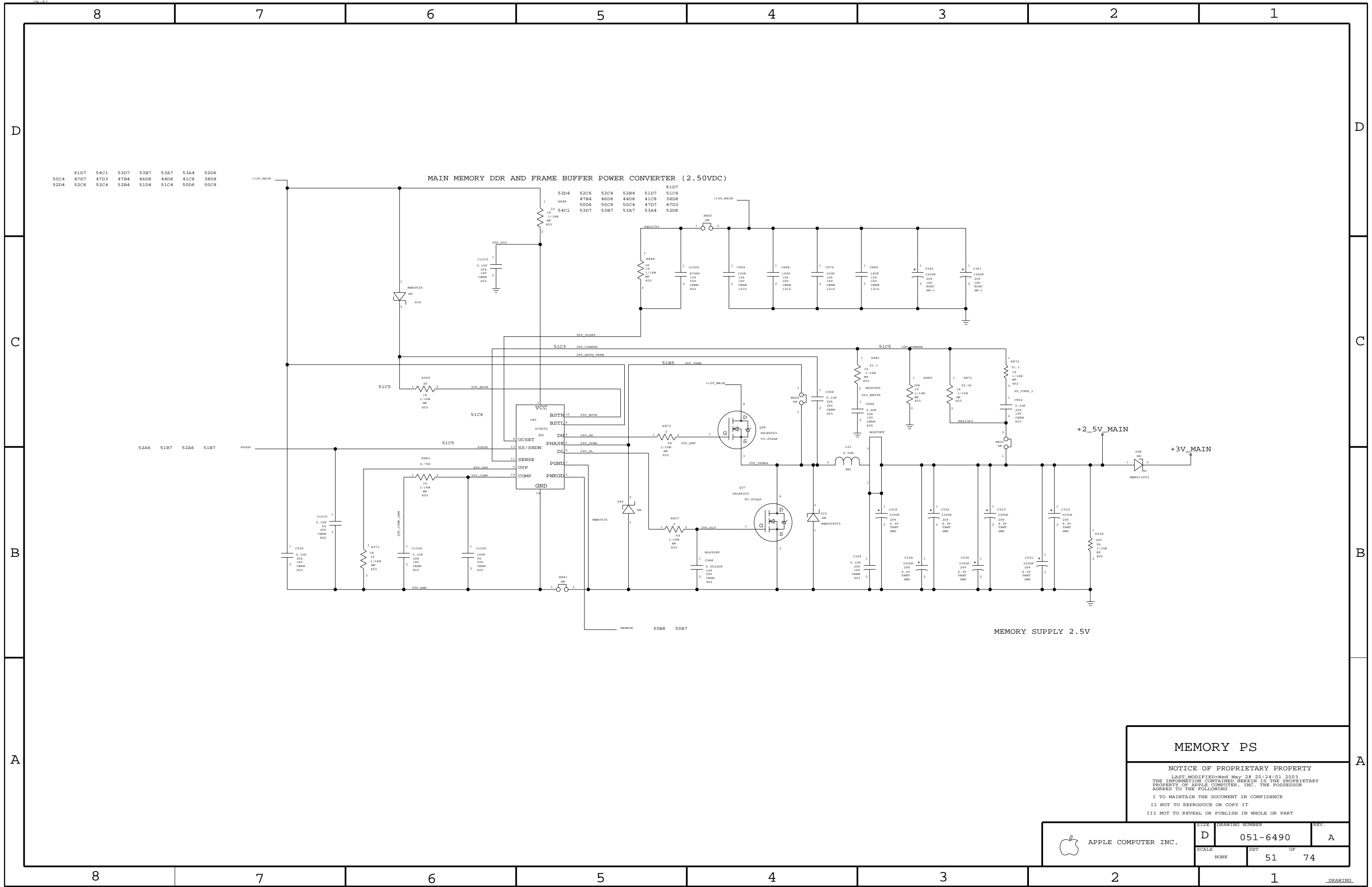
APPLE COMPUTER INC.	SIZE	DRAWING NUMBER	REV.
	D	051-6490	A
SCALE	SHT	OF	
NONE	49	74	



GRAPHICS CORE

NOTICE OF PROPRIETARY PROPERTY
 LAST MODIFIED=Wed May 28 20:24:00 2003
 THE INFORMATION CONTAINED HEREIN IS THE PROPRIETARY
 PROPERTY OF APPLE COMPUTER, INC. THE POSSESSOR
 AGREES TO THE FOLLOWING
 I TO MAINTAIN THE DOCUMENT IN CONFIDENCE
 II NOT TO REPRODUCE OR COPY IT
 III NOT TO REVEAL OR PUBLISH IN WHOLE OR PART

APPLE COMPUTER INC.	SIZE D	DRAWING NUMBER 051-6490	REV. A
	SCALE NONE	SHEET 50	OF 74



61D7 54C1 53D7 53B7 53A7 53A4 52D6
 50C4 47D7 47D3 47B4 46D8 44D8 41C8 38D8
 52D4 52C6 52C4 52B4 51D4 51C4 50D6 50C8

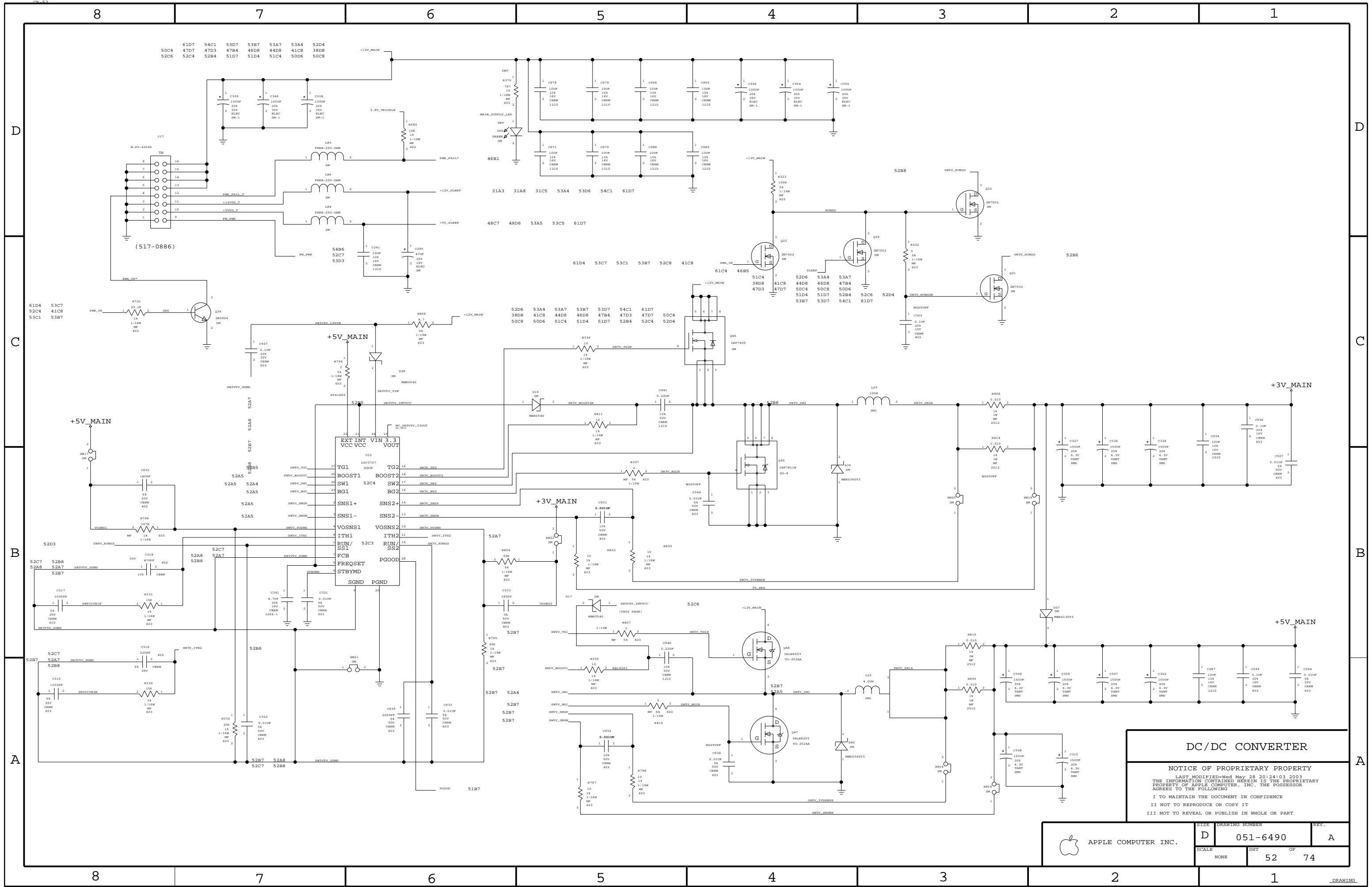
MAIN MEMORY DDR AND FRAME BUFFER POWER CONVERTER (2.50VDC)

MEMORY SUPPLY 2.5V

MEMORY PS

NOTICE OF PROPRIETARY PROPERTY
 LAST MODIFIED=Wed May 28 20:24:01 2003
 THE INFORMATION CONTAINED HEREIN IS THE PROPRIETARY
 PROPERTY OF APPLE COMPUTER, INC. THE POSSESSOR
 AGREES TO THE FOLLOWING
 I TO MAINTAIN THE DOCUMENT IN CONFIDENCE
 II NOT TO REPRODUCE OR COPY IT
 III NOT TO REVEAL OR PUBLISH IN WHOLE OR PART

APPLE COMPUTER INC.	SIZE	DRAWING NUMBER	REV.
	D	051-6490	A
SCALE	SHT	OF	
NONE	51	74	



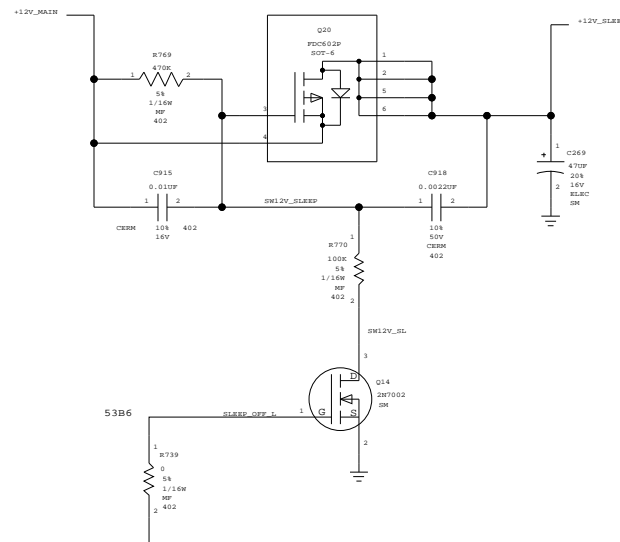
DC/DC CONVERTER

NOTICE OF PROPRIETARY PROPERTY
 LAST MODIFIED: Wed May 28 20:24:03 2003
 THE INFORMATION CONTAINED HEREIN IS THE PROPRIETARY
 PROPERTY OF APPLE COMPUTER, INC. THE POSSESSOR
 AGREES TO THE FOLLOWING:
 I TO MAINTAIN THE DOCUMENT IN CONFIDENCE
 II NOT TO REPRODUCE OR COPY IT
 III NOT TO REVEAL OR PUBLISH IN WHOLE OR PART

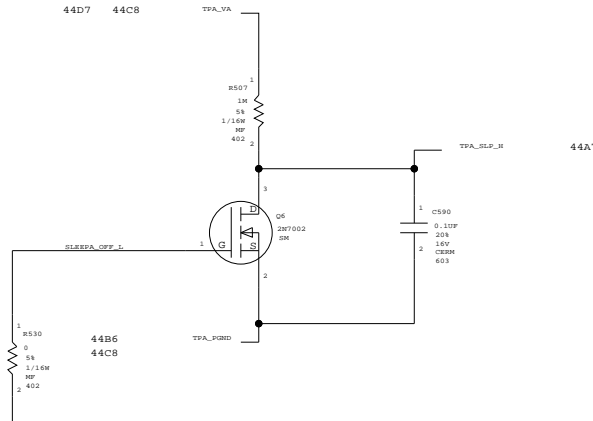
DRAWING NUMBER	051-6490	REV.	A
SCALE	SHEET	OF	
NONE	52	74	



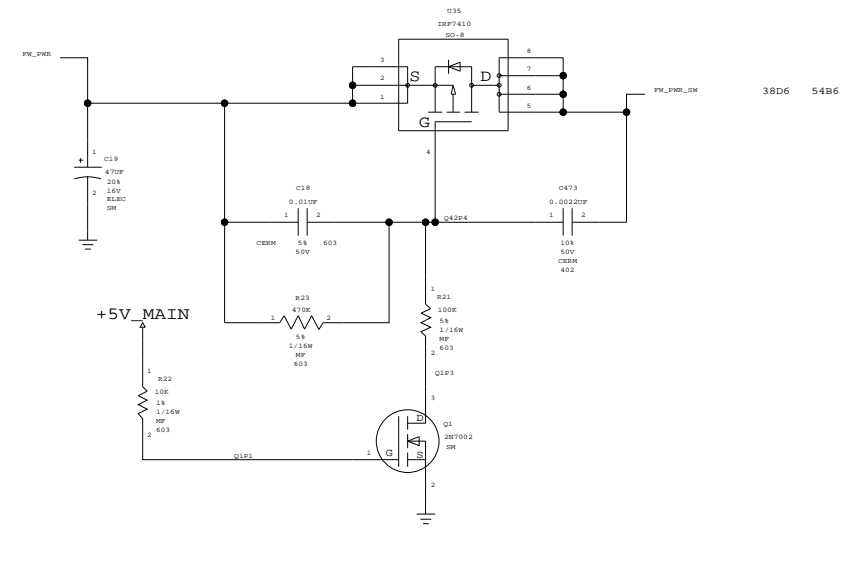
+12V MAIN POWER SWITCH
(OFF DURING SLEEP)



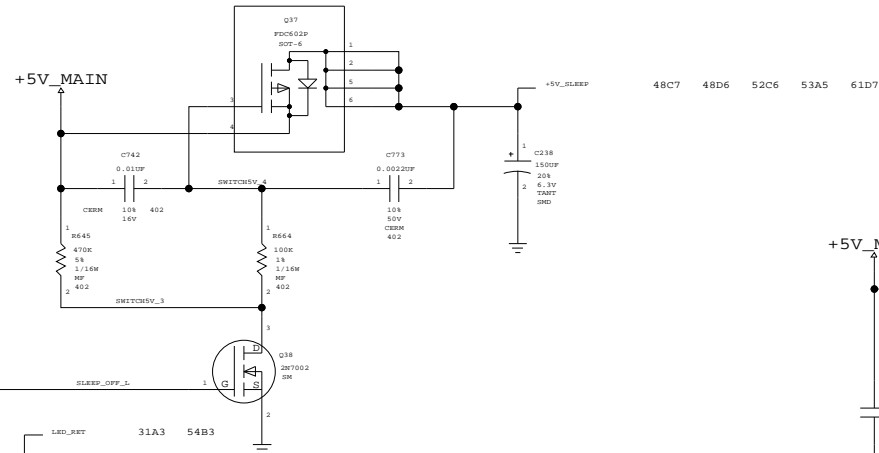
AUDIO SLEEP SWITCH
(OFF DURING SLEEP)



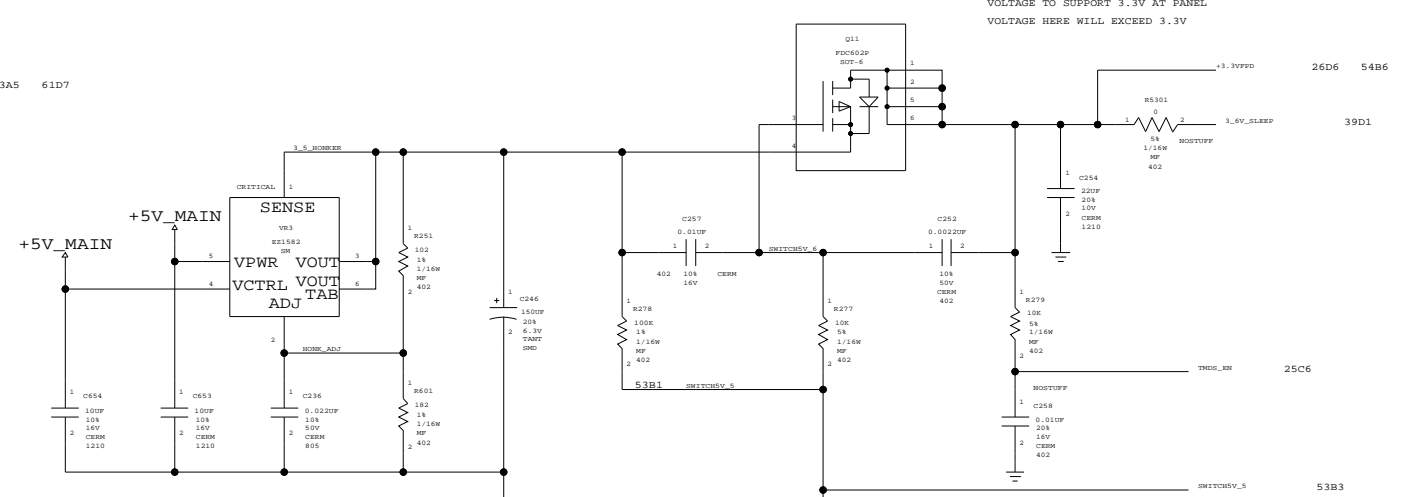
FIREWIRE POWER SWITCH



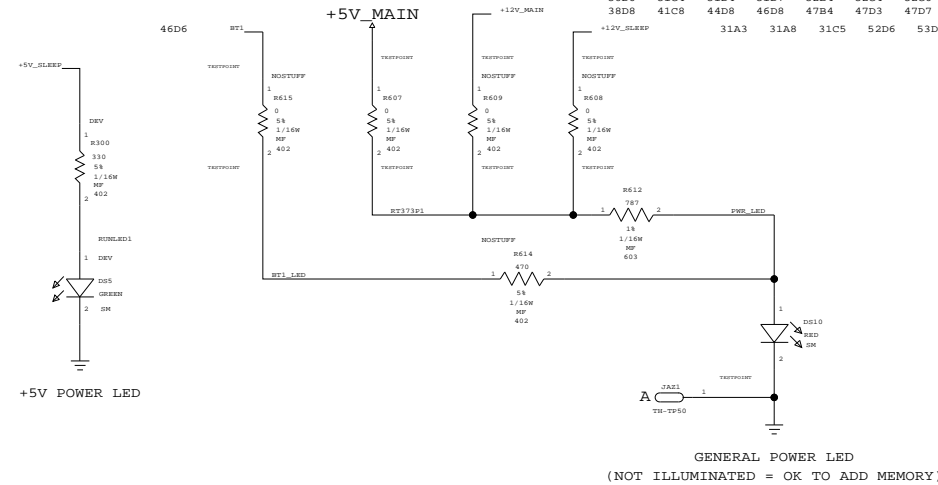
+5V POWER SWITCH
(OFF DURING SLEEP)



TMDS POWER CONVERTER & SWITCH
(OFF DURING SLEEP)



+5V POWER, SLEEP & TESTPOINT LEDS
(TESTPOINT LED IS USED FOR SERVICE AND IF NOT ILLUMINATED, TELLS USER ITS OK TO ADD MEMORY)



+5V/+12V, AUDIO FW & TMDS PWR

NOTICE OF PROPRIETARY PROPERTY
LAST MODIFIED=Wed May 28 20:24:04 2003
THE INFORMATION CONTAINED HEREIN IS THE PROPRIETARY PROPERTY OF APPLE COMPUTER, INC. THE POSSESSOR AGREES TO THE FOLLOWING
I TO MAINTAIN THE DOCUMENT IN CONFIDENCE
II NOT TO REPRODUCE OR COPY IT
III NOT TO REVEAL OR PUBLISH IN WHOLE OR PART

APPLE COMPUTER INC.	SIZE	DRAWING NUMBER	REV.
	D	051-6490	A
SCALE		SHT	OF
NONE		53	74

CLOCK POWER CONSTRAINT TABLE

SIG_NAME	MIN_NECK_WIDTH	VOLTAGE	MIN_LINE_WIDTH
+1_SV_DDR_AVDD	10	2.5	20
+2_SV_DDR_VDD	10	2.5	20
+3V_INTFS_VDD	10	3.3	20
+3V_INTFS_VDD	10	3.3	20
MPCK259_VDD12C	10	2.5	20

10D4
10D5
10B7
10B6
10D4

CPU POWER CONSTRAINT TABLE

SIG_NAME	MIN_NECK_WIDTH	VOLTAGE	MIN_LINE_WIDTH
+MAXRES_SLEEP	10	1.8	20
CPU_AVDD	10	1.85	20
CPU_VCORE_SLEEP	10	1.85	20

4D5 6D8 7A3 7B3 7C3 7C5 7C7 8D3 9B2 9D2 9D4
4D3 11B8 11D8 46B7 46D1 46D2 47D2 48D4 61C7
4D3 4D7 9B6 9C2 47B3 47C1 61B4 61D7

ETHERNET POWER CONSTRAINT TABLE

SIG_NAME	MIN_NECK_WIDTH	VOLTAGE	MIN_LINE_WIDTH
+1_SV_ERST	10	2.5	20

37C3 37D3 37D5

FIREWIRE POWER CONSTRAINT TABLE

SIG_NAME	MIN_NECK_WIDTH	VOLTAGE	MIN_LINE_WIDTH
FW_SIG_V	10	3.3	20
FW_DISK_OFFSET_V	10	3.3	20
FW_P0	10	24	20
FW_P0_SW	10	24	20
FW_P0T_3_3	10	3.3	20
FW_V0B0	10	0	20
FW_V0	10	12	20
FW_V01	10	12	20
FW_V02	10	12	20
FW_V0_1	10	12	20
FW_V0_2	10	12	20

38B6
38B6 38B7
52C7 53D3
38D6 53D1
38B5 38B7 38D7
38D1
38D5
38D1 38D3
38C1 38D3
38D4
38D4

GRAPHICS POWER CONSTRAINT TABLE

SIG_NAME	MIN_NECK_WIDTH	VOLTAGE	MIN_LINE_WIDTH
+1_3VFPD	10	3.6	20
SA0VDD	10	3.3	20
SA0VDD	10	3.3	20
SDC_VCC_3	10	3.3	20
SDC_VCC_5	10	5	20
SDC_VREF	10	1.25	20
IFPDVCC	10	3.8	20
IFPDVREF	10	3.8	20
IFP_VDDH_V0	10	3.6	20
GPU_L0B_VREF	10	0.75	20
GPU_FB_VREF	10	1.25	20
GPU_FB_VREF	10	1.6	20
GPU_FB_VREF	10	3.3	20
GPU_VREF	10	1.25	20
GPU_VREF	10	1.25	20

26D6 53C1
24C5
24C4
26A5 26B3 61B7
27C4 61B7
16B2 16D1 16D8 17D8
25A6 25B4
25B4
26B3 26C3 26C4 26D5 61C7
19A3 19A8
20C8
19D5 25C4 25C6 50B1
24D5
22A3 22C4 22C8
23A3 23C4 23C8

GPU_AUXILL0	1.5	19A5
GPU_AUXILL0M	0	19A5
GPU_TRUCK	0	19A5
GPU_VDDH0	0	24B4
GPU_VDDH0M	0	24D4
GPU_VDDH0M	3.3	39B7
GPU_VDDH0M	0	40C6
GPU_VDDH0M	5	40C6
GPU_VDDH0M	0	40C2
GPU_VDDH0M	5	40C2

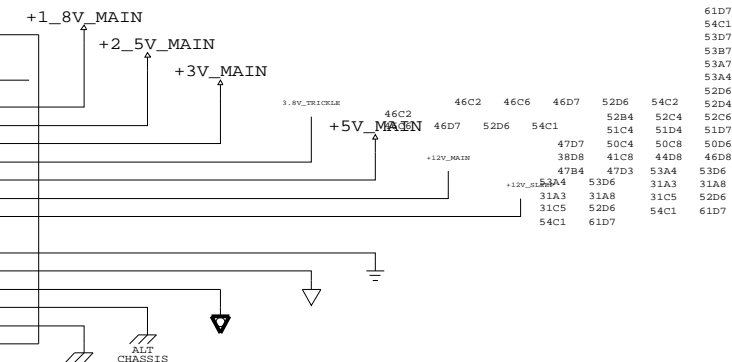
INTREPID POWER CONSTRAINT TABLE

SIG_NAME	MIN_NECK_WIDTH	VOLTAGE	MIN_LINE_WIDTH
+1_SV_INTREPID_PLL	10	1.5	20
+1_SV_INTREPID_PLL1	10	1.5	20
+1_SV_INTREPID_PLL2	10	1.5	20
+1_SV_INTREPID_PLL3	10	1.5	20
+1_SV_INTREPID_PLL4	10	1.5	20
+1_SV_INTREPID_PLL5	10	1.5	20
+1_SV_INTREPID_PLL6	10	1.5	20
+1_SV_INTREPID_PLL7	10	1.5	20
+1_SV_INTREPID_PLL8	10	1.5	20
+1_SV_A0P	10	1.5	20
INT_A0P_VREF	10	0.75	20

11D3 18D6 30D6 32D5
30C4
30D4
30D4
30D4
18D5
32D4
11D2
30D4
12D6 13C8 18A8 18C2 18D7 19A4 19D5 48B4 61C7
18A7 18C6

MAIN POWER CONSTRAINT TABLE

SIG_NAME	MIN_NECK_WIDTH	VOLTAGE	MIN_LINE_WIDTH
+1_8V_MAIN	10	1.8	20
+2_5V_MAIN	10	2.5	20
+3V_MAIN	10	3.3	20
3_8V_TRICKLE	10	3.8	20
+5V_MAIN	10	5	20
+12V_MAIN	10	12	20
+12V_SLEEP	10	12	20
GND	10	0	20
AGND	10	0	20
ANALOGGND	10	0	20
ALTCORNGND	10	0	20
CHGND	10	0	20



PMU POWER CONSTRAINT TABLE

SIG_NAME	MIN_NECK_WIDTH	VOLTAGE	MIN_LINE_WIDTH
3_8V_TRICKLE	10	3.8	20
PMU_AVDD	10	3.5	20
PMU_POWER	10	3.5	20

46C1 46D7
46B5 46D4 61C4
31C3 46A5 46B1 46C2 46D5

SYSTEM POWER CONSTRAINT TABLE

SIG_NAME	MIN_NECK_WIDTH	VOLTAGE	MIN_LINE_WIDTH
+12V0_FILT	10	12	20
FAN_12V_FILT	10	12	20
ES0VDD	10	5	20
L0D_5V	10	5	20
L0D_5V_FILT	10	5	20
L0D_RST	10	0	20
L0D_RST_FILT	10	0	20

31A5
31A5 61C7
31A5 61A7
31A8
31A5 61A7
31A3 53B6
31A5 61A7

USB POWER CONSTRAINT TABLE

SIG_NAME	MIN_NECK_WIDTH	VOLTAGE	MIN_LINE_WIDTH
+3V_INTREPID_USB	10	3.3	20
USB_AVDD	10	3.3	20
USB_GND	10	0	20
USB_PORT_PEN	10	5	20
USB_PEN	10	5	20
USB_PEN_EN	10	0	20

30C4
34D5
35A4 35B3 35C3 35D3
35A4 35B3 35C3 35D3
61B4 27B5 27C2 27D3
35A6

POWER CONSTRAINTS

NOTICE OF PROPRIETARY PROPERTY
 LAST MODIFIED: Wed May 28 20:12:58 2003
 THE INFORMATION CONTAINED HEREIN IS THE PROPRIETARY PROPERTY OF APPLE COMPUTER, INC. THE POSSESSOR AGREES TO THE FOLLOWING:
 I TO MAINTAIN THE DOCUMENT IN CONFIDENCE
 II NOT TO REPRODUCE OR COPY IT
 III NOT TO REVEAL OR PUBLISH IN WHOLE OR PART

APPLE COMPUTER INC.	SIZE	DRAWING NUMBER	REV.
	D	051-6490	A
SCALE	NONE	SHEET	OF
		54	74

D
C
B
A

D
C
B
A

SIG_NAME	RATNEST_SCHEDULE	MATCHED_DELAY	MAX_VIAS	DELAY_RULE	STUB_LENGTH	NET_SPACING_TYPE	MAX_EXPOSED_LENGTH	DIFFERENTIAL_PAIR	PUNC_TEST	PULSE_PARAM
PCI_DEV0_S	MIN_DAISSY_CHAIN	6	6	::6000:8000	500					33 MHZ
PCI_DEV1_S	MIN_DAISSY_CHAIN	6	6	::6000:8000	500					33 MHZ
PCI_DEV2_S	MIN_DAISSY_CHAIN	6	6	::6000:8000	500					33 MHZ
PCI_DEV3_S	MIN_DAISSY_CHAIN	6	6	::6000:8000	500					33 MHZ
PCI_STOP_S	MIN_DAISSY_CHAIN	6	6	::6000:8000	500					33 MHZ
CLK33M_PCI_SLOT0_UP		3	3	::600:1000	200		450			33 MHZ
CLK33M_PCI_SLOT1_UP		3	3	::600:1200	200		450			33 MHZ
CLK33M_PCI_SLOT2_UP		3	3	::600:1000	200		450			33 MHZ
CLK33M_PCI_SLOT3_UP		5	5	::3000:4000	200	10 MIL SPACING	450			33 MHZ
INT_PCI_FB_OUT		4	4	::1:1000	200		450			33 MHZ
PCI_FB0_FB00		4	4	::1:200	200		450			33 MHZ
PCI_FB1_FB04		4	4	::1900:2000			450			33 MHZ
PCI_FB2_FB08		4	4	::1900:2000	200		450			33 MHZ
PCI_FB3_FB0C		4	4	::2000:3000	200		450			33 MHZ
PCI_FB4_FB0F		4	4	::5900:6000			450			33 MHZ
INT_PCI_FB_IN		4	4	::1:1080	200		450			33 MHZ
PCIY_AD<31..0>		3	3	::1:1000						33 MHZ
PCIY_CBE<31..0>		3	3	::1:1000						33 MHZ
PCIY_FRAME_S		3	3	::1:1000						33 MHZ
PCIY_TRDY_S		3	3	::1:1000						33 MHZ
PCIY_DEVSEL_S		3	3	::1:1000						33 MHZ
PCIY_STOP_S		3	3	::1:1000						33 MHZ
PCIY_FAB		3	3	::1:1000						33 MHZ
AGP_AD<0..15>	AGP_GROUP0:::280	5	5	::1:4500						266 MHZ
AGP_CBE<0..15>	AGP_GROUP0:::330	5	5	::1:4500						266 MHZ
AGP_AD_STB<0>	AGP_GROUP0:::330	4	4	::1:4400	200	8 MIL SPACING	500	AGP_ADSTB0P0		133 MHZ
AGP_AD_STB<1>	AGP_GROUP0:::330	4	4	::1:4400	200	8 MIL SPACING	500	AGP_ADSTB0P1		133 MHZ
AGP_AD<16..31>	AGP_GROUP0:::280	5	5	::1:4500						266 MHZ
AGP_CBE<16..31>	AGP_GROUP0:::280	5	5	::1:4500						266 MHZ
AGP_AD_STB<16>	AGP_GROUP0:::280	4	4	::1:4400	200	8 MIL SPACING	500	AGP_ADSTB1P0		133 MHZ
AGP_AD_STB<17>	AGP_GROUP0:::330	4	4	::1:4400	200	8 MIL SPACING	500	AGP_ADSTB1P1		133 MHZ
AGP_FRAME_S		5	5	::4000:4500						66 MHZ
AGP_TRDY_S		5	5	::4000:4500						66 MHZ
AGP_DEVSEL_S		5	5	::4000:4500						66 MHZ
AGP_STOP_S		5	5	::4000:4500						66 MHZ
AGP_FAB		5	5	::4000:4500						66 MHZ
AGP_SBA<0..7>		5	5	::4000:4500						66 MHZ
AGP_SB_STB	AGP_GROUP99:::200	5	5	::1:4500				AGP_SBSTB0		66 MHZ
AGP_SB_STB_S	AGP_GROUP99:::200	5	5	::1:4500				AGP_SBSTB0		66 MHZ
AGP_ST<0..2>		5	5	::4500:5000						66 MHZ
AGP_FIFR_S		5	5	::4000:4500						66 MHZ
AGP_REQ_S		5	5	::4000:4500						66 MHZ
AGP_REQ_S		5	5	::4500:5000						66 MHZ
AGP_REQ_S		5	5	::4500:5000						66 MHZ
AGP_REQ_S		5	5	::4000:4500						66 MHZ
AGP_REQ_S		5	5	::4500:5000						66 MHZ
STOP_AGP_S		5	5	::4500:5000						66 MHZ
GPU_AGP_AD<0..15>	GPU_AGP_GROUP0:::100	3	3	::1:600						266 MHZ
GPU_AGP_CBE<0..15>	GPU_AGP_GROUP0:::100	3	3	::1:600						266 MHZ
GPU_AD_STB<GPU0>	GPU_AGP_STB0:::150	3	3	::1:450		8 MIL SPACING	500	GPU_ADSTB0P0		133 MHZ
GPU_AD_STB<GPU1>	GPU_AGP_STB0:::150	3	3	::1:800		8 MIL SPACING	500	GPU_ADSTB0P1		133 MHZ
GPU_AGP_AD<16..31>	GPU_AGP_GROUP1:::100	3	3	::1:600						266 MHZ
GPU_AGP_CBE<16..31>	GPU_AGP_GROUP1:::100	3	3	::1:600						266 MHZ
GPU_AD_STB<GPU0>	GPU_AGP_STB1:::150	3	3	::1:800		8 MIL SPACING	500	GPU_ADSTB1P0		133 MHZ
GPU_AD_STB<GPU1>	GPU_AGP_STB1:::150	3	3	::1:800		8 MIL SPACING	500	GPU_ADSTB1P1		133 MHZ
GPU_AGP_FRAME_S		3	3	::1:300:600						66 MHZ
GPU_AGP_TRDY_S		3	3	::1:300:600						66 MHZ
GPU_AGP_DEVSEL_S		3	3	::1:300:600						66 MHZ
GPU_AGP_STOP_S		3	3	::1:300:600						66 MHZ
GPU_AGP_FAB		3	3	::1:300:600						66 MHZ
GPU_AGP_SBA<0..7>		3	3	::1:300:600						66 MHZ
GPU_AGP_SB_STB	GPU_AGP_SBSTB:::150	3	3	::1:300:600				GPU_SBSTB0		66 MHZ
GPU_AGP_SB_STB_S	GPU_AGP_SBSTB:::150	3	3	::1:300:600				GPU_SBSTB0		66 MHZ
GPU_AGP_FIFR_S		3	3	::1:300:600						66 MHZ
GPU_AGP_REQ_S		3	3	::1:300:600						66 MHZ
CLK66M_GPU_AGP		4	4	::3700:3900	200	10 MIL SPACING	250			66 MHZ
INT_AGP_FB_OUT		4	4	::1400:1500	200		250			66 MHZ
AGP_FB0_FB00		4	4	::900:1080	200		250			66 MHZ
AGP_FB1_FB04		4	4	::1900:2000			250			66 MHZ
AGP_FB2_FB08		4	4	::1:200	200		250			66 MHZ
AGP_FB3_FB0C		4	4	::1:200	200		250			66 MHZ
INT_AGP_FB_IN		4	4	::1:200	200		250			66 MHZ
INT_NOM_OVERLAY_PU		3	3	::600:800		10 MIL SPACING	250			66 MHZ
INT_ANALYZER_CLK		2	2	::1:2800		8 MIL SPACING	250			66 MHZ
CLK33M_PCI_SLOT0		4	4	::3000:3500	200	8 MIL SPACING	250			33 MHZ

SIGNAL CONSTRAINTS

NOTICE OF PROPRIETARY PROPERTY
 LAST MODIFIED: Wed May 28 20:12:59 2003
 THE INFORMATION CONTAINED HEREIN IS THE PROPRIETARY
 PROPERTY OF APPLE COMPUTER, INC. THE POSSESSOR
 AGREES TO THE FOLLOWING
 I TO MAINTAIN THE DOCUMENT IN CONFIDENCE
 II NOT TO REPRODUCE OR COPY IT
 III NOT TO REVEAL OR PUBLISH IN WHOLE OR PART

APPLE COMPUTER INC.	SIZE	DRAWING NUMBER	REV.
	D	051-6490	A
SCALE	SHT		OF
NONE	56	74	

DIGITAL SIGNALS

GROUP	SIG_NAME	MATCHED_DELAY	MAX_VIAS	DELAY_RULE	STUCL_LENGTH	NET_SPACING_TYPE	MAX_EXPOSED_LENGTH	PULSE PARAM											
	FBDQ<4..63>	GPU_FBDDATA_A:::225	4	:::800				300 MHZ	20E8	20F8	20G8	21C5	21C8	21D5	21D8				
	FBDDQ<4..63>	RAM_FBDDATA_A:::300	4	:::1000				300 MHZ	21C4	21C7	21D4	21D7	22B1	22B5	22C1	22C5			
	FBDQM<4..7>	GPU_FBDDQM_A:::200	4	:::800				300 MHZ	20D8	20G3									
	FBDDQM<4..7>	RAM_FBDDQM_A:::200	4	:::1000				300 MHZ	20G2	22C2	22C6								
	FBA<4..12>	GPU_FBADDR_A:::200	4	:::700				300 MHZ	20C8	20D8	20E3	20F3							
	FBAA<4..12>	RAM_FBADDR_A:::530	5	:::2400	2350			300 MHZ	20E2	20F2	22C2	22C6	22D2	22D6					
	FBA<4..1>	GPU_FBADDR_A:::200	4	:::700				300 MHZ	20C8	20E3									
	FBAA<4..1>	RAM_FBADDR_A:::530	5	:::2400	50			300 MHZ	20E2	22C2	22C6								
	FBA<4..L	GPU_FBCNTL_A:::200	4	:::400				300 MHZ	20C8	20G3									
	FBA<4..L	GPU_FBCNTL_A:::200	4	:::400				300 MHZ	20C8	20G3									
	FBA<4..L	GPU_FBCNTL_A:::200	4	:::400				300 MHZ	20C8	20F3									
	FBA<4..L	GPU_FBCNTL_A:::200	4	:::400				300 MHZ	20C9	20F3									
	FBA<4..L	GPU_FBCNTL_A:::200	5	:::400	100			300 MHZ	20D3	20D7									
	FBA<4..L	RAM_FBCNTL_A:::350	5	:::2700	50			300 MHZ	20G2	22B2	22B6								
	FBA<4..L	RAM_FBCNTL_A:::500	5	:::2700	50			300 MHZ	20G2	22B2	22B6								
	FBA<4..L	RAM_FBCNTL_A:::500	5	:::2700	50			300 MHZ	20F2	22B2	22B6								
	FBA<4..L	RAM_FBCNTL_A:::350	5	:::2700	50			300 MHZ	20F2	22B2	22B6								
	FBA<4..L	RAM_FBCNTL_A:::500	5	:::2700	50			300 MHZ	20F2	22B2	22B6								
	FBA<4..L	RAM_FBCNTL_A:::500	5	:::2700	50			300 MHZ	20D2	22C2	22C6								
	FBDQS<4..7>	GPU_FBDDQS_A:::100	3	:::1350				300 MHZ	20C7	21A8									
	FBDDQSTERM<4..7>	FB_DQDQSTERM_A:::150	3	:::1500		10 MIL SPACING		300 MHZ	21A7										
	FBDQS<4..7>	RAM_FBDDQS_A:::155	3	:::150		10 MIL SPACING		300 MHZ	21A6	22C2	22C6								
	FBA<4..L	GPU_FBCLK_A:::50	3	:::150			200	300 MHZ	20D7	21C3									
	FBA<4..L	GPU_FBCLK_A:::50	3	:::150			200	300 MHZ	20D7	21C3									
	FBA<4..L	GPU_FBCLK_A:::50	3	:::150			200	300 MHZ	20D7	21D3									
	FBA<4..L	GPU_FBCLK_A:::50	3	:::150			200	300 MHZ	20D7	21D3									
	FBA<4..L	RAM_FBCLK_A:::80	3	:::2500			200	300 MHZ	21D1	22C2									
	FBA<4..L	RAM_FBCLK_A:::80	3	:::2500			200	300 MHZ	21D1	22C2									
	FBA<4..L	RAM_FBCLK_A:::70	3	:::2500			200	300 MHZ	21C1	22C6									
	FBA<4..L	RAM_FBCLK_A:::70	3	:::2500			200	300 MHZ	21C1	22C6									
	FBD<4..127>	GPU_FBDDATA_B:::225	4	:::800				300 MHZ	20E5	20F5	20G5	21B5	21B8	21C5	21C8				
	FBDD<4..127>	RAM_FBDDATA_B:::325	4	:::1000				300 MHZ	21B4	21B7	21C4	21C7	23B1	23B5	23C1	23C5			
	FBDQM<4..15>	GPU_FBDDQM_B:::120	4	:::800				300 MHZ	20C3	20D3	20D5								
	FBDDQM<4..15>	RAM_FBDDQM_B:::120	4	:::1000				300 MHZ	20C2	20D2	23C2	23C6							
	FBA<4..12>	GPU_FBADDR_B:::120	4	:::600				300 MHZ	20A3	20B3	20C3	20C5	20D5						
	FBA<4..12>	RAM_FBADDR_B:::370	5	:::2400	50			300 MHZ	20B2	20C2	23C2	23C6	23D2	23D6					
	FBA<4..1>	GPU_FBADDR_B:::120	4	:::600				300 MHZ	20A3	20C5									
	FBA<4..1>	RAM_FBADDR_B:::370	5	:::2400	50			300 MHZ	20A2	23C2	23C6								
	FBA<4..L	GPU_FBCNTL_B:::120	4	:::400				300 MHZ	20C3	20D4									
	FBA<4..L	GPU_FBCNTL_B:::120	4	:::400				300 MHZ	20C3	20D4									
	FBA<4..L	GPU_FBCNTL_B:::120	4	:::400				300 MHZ	20C3	20D4									
	FBA<4..L	GPU_FBCNTL_B:::120	4	:::400				300 MHZ	20C3	20C4									
	FBA<4..L	GPU_FBCNTL_B:::120	5	:::400	100			300 MHZ	20A3	20C4									
	FBA<4..L	RAM_FBCNTL_B:::2000	5	:::3500	3550			300 MHZ	20C2	23B2	23B6								
	FBA<4..L	RAM_FBCNTL_B:::2000	5	:::3500	3550			300 MHZ	20C2	23B2	23B6								
	FBA<4..L	RAM_FBCNTL_B:::2000	5	:::3500	3550			300 MHZ	20C2	23B2	23B6								
	FBA<4..L	RAM_FBCNTL_B:::2000	5	:::3500	3550			300 MHZ	20C2	23B2	23B6								
	FBA<4..L	RAM_FBCNTL_B:::2000	5	:::3500	3550			300 MHZ	20A2	23C2	23C6								
	FBDQS<4..15>	GPU_FBDDQS_B:::100	3	:::1350		10 MIL SPACING		300 MHZ	20D4	21A5									
	FBDDQSTERM<4..15>	FB_DQDQSTERM_B:::160	3	:::1500		10 MIL SPACING		300 MHZ	21A4										
	FBDQS<4..15>	RAM_FBDDQS_B:::150	3	:::150		10 MIL SPACING		300 MHZ	21A3	23C2	23C6								
	FBA<4..L	GPU_FBCLK_B:::50	3	:::150			200	300 MHZ	20C5	21B3									
	FBA<4..L	GPU_FBCLK_B:::50	3	:::150			200	300 MHZ	20C5	21C3									
	FBA<4..L	GPU_FBCLK_B:::50	3	:::150			200	300 MHZ	20C5	21B3									
	FBA<4..L	RAM_FBCLK_B:::90	4	:::2500			200	300 MHZ	21C1	23C2									
	FBA<4..L	RAM_FBCLK_B:::90	3	:::2500			200	300 MHZ	21B1	23C2									
	FBA<4..L	RAM_FBCLK_B:::90	3	:::2500			200	300 MHZ	21B1	23C6									
	FBA<4..L	RAM_FBCLK_B:::90	3	:::2500			200	300 MHZ	21B1	23C6									

SIGNAL CONSTRAINTS

NOTICE OF PROPRIETARY PROPERTY

LAST MODIFIED: Wed May 28 20:13:00 2003

THE INFORMATION CONTAINED HEREIN IS THE PROPRIETARY PROPERTY OF APPLE COMPUTER, INC. THE POSSESSOR AGREES TO THE FOLLOWING

I TO MAINTAIN THE DOCUMENT IN CONFIDENCE

II NOT TO REPRODUCE OR COPY IT

III NOT TO REVEAL OR PUBLISH IN WHOLE OR PART

APPLE COMPUTER INC.	SIZE	DRAWING NUMBER	REV.
	D	051-6490	A
SCALE	NONE	SHT	OF
		57	74

DIGITAL SIGNALS (CONT'D)

GROUP	SIG_NAME	MATCHED_DELAY	MAX_VIOL	DELAY_RULE	STTR_LENGTH	NET_DRACINGS_TYPE	NET_DRACINGS_COMMENT	PULSE_PARAM			
CD DRIVE BUS	CD_RESET_L			:::3500:5500				33 MHZ	39A7	39D5	
CD DRIVE BUS	CD_RESET_L			:::3500:5500				33 MHZ	39A7	39D5	
CD DRIVE BUS	CD_RESET_L			:::5500				33 MHZ	39A7	39D5	
CD DRIVE BUS	CD_RESET_L			:::5500				33 MHZ	39A7	39C5	
CD DRIVE BUS	CD_RESET_L			:::3500:5500				33 MHZ	39A7	39C5	
CD DRIVE BUS	CD_RESET_L			:::3500:5500				33 MHZ	39A5	39B5	39B7 39C5
CD DRIVE BUS	CD_RESET_L			:::1000				33 MHZ	39D4	40C6	
CD DRIVE BUS	CD_RESET_L			:::4000				33 MHZ	39D4	40C6	
CD DRIVE BUS	CD_RESET_L			:::5000				33 MHZ	39D4	40C6	
CD DRIVE BUS	CD_RESET_L			:::5000				33 MHZ	39D4	40C6	
CD DRIVE BUS	CD_RESET_L			:::1000				33 MHZ	39C4	40C6	
CD DRIVE BUS	CD_RESET_L			:::1000				33 MHZ	39C4	40C6	
CD DRIVE BUS	CD_RESET_L			:::1000				33 MHZ	39A4	39B4	39C4 40C6
CD DRIVE BUS	CD_RESET_L			:::1000				33 MHZ	40C6		
CD DRIVE BUS	CD_RESET_L			:::3500:5500				33 MHZ	39A7	40C8	
CD DRIVE BUS	CD_RESET_L			:::1000				33 MHZ	40C6		
CD DRIVE BUS	CD_RESET_L			:::1000				33 MHZ	39A7	40C8	
CD DRIVE BUS	CD_RESET_L			:::3500:5500				33 MHZ	40C6		
CD DRIVE BUS	CD_RESET_L			:::1000				33 MHZ	40C6		
CD DRIVE BUS	CD_RESET_L			:::3500:5500				33 MHZ	39A7	40B8	
CD DRIVE BUS	CD_RESET_L			:::1000				33 MHZ	39B7	40A8	40B8
CD DRIVE BUS	CD_RESET_L			:::1000				33 MHZ	40C6		
CD DRIVE BUS	CD_RESET_L			:::3500:5500				33 MHZ	39A7	40B8	
CD DRIVE BUS	CD_RESET_L			:::1000				33 MHZ	39A7	40B8	
CD DRIVE BUS	CD_RESET_L			:::3500:5500				33 MHZ	40C6		
CD DRIVE BUS	CD_RESET_L			:::1000				33 MHZ	39A7	40B8	
HD DRIVE BUS	HD_RESET_L			:::100:6000	500			100 MHZ	39C7	39D3	
HD DRIVE BUS	HD_RESET_L			:::100:6000	500			100 MHZ	39C7	39D3	
HD DRIVE BUS	HD_RESET_L			:::100:6000				100 MHZ	39C7	39D3	
HD DRIVE BUS	HD_RESET_L			:::6000				100 MHZ	39C3	39C7	
HD DRIVE BUS	HD_RESET_L			:::100:6000	500			100 MHZ	39C3	39C7	
HD DRIVE BUS	HD_RESET_L			:::100:6000	500			100 MHZ	39A3	39B3	39C3 39C7 39D7
HD DRIVE BUS	HD_RESET_L			:::1000				100 MHZ	39D1	40C3	
HD DRIVE BUS	HD_RESET_L			:::1000				100 MHZ	39D1	40C3	
HD DRIVE BUS	HD_RESET_L			:::5500				100 MHZ	39D1	40C3	
HD DRIVE BUS	HD_RESET_L			:::55000				100 MHZ	39C1	40C3	
HD DRIVE BUS	HD_RESET_L			:::1000				100 MHZ	39C1	40C3	
HD DRIVE BUS	HD_RESET_L			:::1000				100 MHZ	40C3		
HD DRIVE BUS	HD_RESET_L			:::100:6000				100 MHZ	39C7	40C4	
HD DRIVE BUS	HD_RESET_L			:::100:6000	500			100 MHZ	40C3		
HD DRIVE BUS	HD_RESET_L			:::1000				100 MHZ	39C7	40C4	
HD DRIVE BUS	HD_RESET_L			:::1000				100 MHZ	40C2	40C3	
HD DRIVE BUS	HD_RESET_L			:::100:6000				100 MHZ	39C7	40A4	40B4
HD DRIVE BUS	HD_RESET_L			:::6000				100 MHZ	40C3		
HD DRIVE BUS	HD_RESET_L			:::6000				100 MHZ	39C7	40B4	
HD DRIVE BUS	HD_RESET_L			:::6000				100 MHZ	40C2		
HD DRIVE BUS	HD_RESET_L			:::6000				100 MHZ	39C7	40B4	
CDR	CLK_LIN_INT_ROOT		3	:::1000	100	8 MIL SPACING		18.432 MHZ	60B5		
CDR	CLK_LIN_INT_ROOT		3	:::1000	100	8 MIL SPACING		18.432 MHZ	60B5		
CDR	CLK_LIN_INT_ROOT		3	:::1200	50	8 MIL SPACING		18.432 MHZ	60B5		
USB	USBA_P:::500								30B3		
USB	USBA_P:::500				100				30B3		
USB	USBA_P:::500				100				30B2	35B7	
USB	USBA_P:::500				100				30B2	35B7	
USB	USBB_P:::500								30B3		
USB	USBB_P:::500				100				30B3		
USB	USBB_P:::500				100				30B2	35C7	
USB	USBB_P:::500				100				30B2	35C7	
USB	USBC_P:::500								30B3		
USB	USBC_P:::500				100				30B3		
USB	USBC_P:::500				100				30B2	35D7	
USB	USBC_P:::500				100				30B2	35D7	
USB	USBE_P:::500								30B3		
USB	USBE_P:::500				100				30B3		
USB	USBE_P:::500				100				30B2	31D3	61B4
USB	USBE_P:::500				100				30B2	31D3	61B4
USB	USBF_P:::500								30B3		
USB	USBF_P:::500								30B3		
USB	USBF_P:::500				100				30B2	31C5	61B4
USB	USBF_P:::500				100				30B2	31C5	61B4
PMU	PMU_CLK		3	:::1000	100	8 MIL SPACING		10 MHZ	46B5		
PMU	PMU_CLK		3	:::1000	100	8 MIL SPACING		10 MHZ	46B5		
PMU	PMU_CLK		3	:::300	50	8 MIL SPACING		10 MHZ	46A6		
PMU	PMU_CLKOUT		3	:::1000	100	8 MIL SPACING		32.768 MHZ	46B4		
PMU	PMU_CLKIN		3	:::1000	100	8 MIL SPACING		32.768 MHZ	46B4		
PMU	PMU_CLKT		3	:::300	50	8 MIL SPACING		32.768 MHZ	46B2		
MICROW	MICROW					10 MIL SPACING			31A5	45B8	61A7
MICROW	MICROW					10 MIL SPACING			31A5	45C8	61A7
MICROW	MICROW					10 MIL SPACING			31A5	45B8	61A7
MICROW	RS_INT_SPER+					10 MIL SPACING			31A3	44C3	61B7
MICROW	RS_INT_SPER-					10 MIL SPACING			31A3	44C3	61B7

SIG_NAME	DELAY_RULE	PULSE_PARAM		
T_MID_LANE_0	:::1000	100 MHZ	39C1	40C3
T_MID_LANE_1	:::1000	100 MHZ	39C1	40C3
T_MID_LANE_2	:::1000	100 MHZ	39C1	40C3
T_MID_LANE_3	:::1000	100 MHZ	39C1	40C3
T_MID_LANE_4	:::1000	100 MHZ	39B1	40C3
T_MID_LANE_5	:::1000	100 MHZ	39B1	40C3
T_MID_LANE_6	:::1000	100 MHZ	39B1	40C3
T_MID_LANE_7	:::1000	100 MHZ	39B1	40C3
T_MID_LANE_8	:::1000	100 MHZ	39B1	40C2
T_MID_LANE_9	:::1000	100 MHZ	39B1	40C2
T_MID_LANE_10	:::1000	100 MHZ	39B1	40C2
T_MID_LANE_11	:::1000	100 MHZ	39B1	40C2
T_MID_LANE_12	:::1000	100 MHZ	39B1	40C2
T_MID_LANE_13	:::1000	100 MHZ	39A1	40C2
T_MID_LANE_14	:::1000	100 MHZ	39A1	40C2
T_MID_LANE_15	:::1000	100 MHZ	39A1	40C2

SIGNAL CONSTRAINTS

NOTICE OF PROPRIETARY PROPERTY
 LAST MODIFIED: Wed May 28 20:13:01 2003
 THE INFORMATION CONTAINED HEREIN IS THE PROPRIETARY
 PROPERTY OF APPLE COMPUTER, INC. THE POSSESSOR
 AGREES TO THE FOLLOWING
 I TO MAINTAIN THE DOCUMENT IN CONFIDENCE
 II NOT TO REPRODUCE OR COPY IT
 III NOT TO REVEAL OR PUBLISH IN WHOLE OR PART

 APPLE COMPUTER INC.	SIZE	DRAWING NUMBER	REV.
	D	051-6490	A
SCALE	SHT		OF
NONE	60	74	

FUNC_TEST

+1_BV_MAIN	FUNC_TEST	54C4									
+12V_MAIN	FUNC_TEST	53B7	53D7	54C1							
+12V_SLEEP	FUNC_TEST	38D8	41C8	44D8	46D8	47B4	47D3	47D7	50C4	50C8	50D6
+12V_SLEEPA	FUNC_TEST	51C4	51C4	51D7	52B4	52C4	52C6	52D4	52D6	53A4	53A7
+12V_SLEEPB	FUNC_TEST	31A3	31A8	31C5	52D6	53A4	53D6	54C1			
+5V_MAIN	FUNC_TEST	54C4									
+5V_SLEEP	FUNC_TEST	48C7	48D6	52C6	53A5	53C5					
+2.5V_MAIN	FUNC_TEST	32A3	54C4								
+3V_MAIN	FUNC_TEST	41D4	42D5	43A5	43A7	44A7	44D4	54C4			
CPU_VCORE_SLEEP	FUNC_TEST	4D3	4D7	9B6	9C2	47B3	47C1	54C6	61B4		
JTAG_ASIC_TCK	FUNC_TEST	9A3	36B7	37C4							
JTAG_ASIC_TDI	FUNC_TEST	9A3	30C6	36B7							
JTAG_ASIC_TDO	FUNC_TEST	9A3	37B4								
JTAG_ASIC_TMS	FUNC_TEST	9A3	36B7	37A2	37B4						
JTAG_ASIC_TRST_L	FUNC_TEST	9A3	36B7								
INT_TMS_0V	FUNC_TEST	26B3	26C3	26C4	26D5	54A6					
+1_BV_ADP	FUNC_TEST	12D6	13C8	18A8	18C2	18D7	19A4	19D5	48B4	54C3	
PWM_12V_FILTER	FUNC_TEST	31A5	54B3								
+INTERRUPT_CODE_MAIN	FUNC_TEST	12D6	13D4	48B3	49B2						
INTERRUPT_VSOURCE	FUNC_TEST	49C6									
OVERRIDE	FUNC_TEST	49C6									
CPU_CREATE_CNTL_L	FUNC_TEST	4B3	7B5	9A2	9D6						
CPU_CREATE_CNTL_H	FUNC_TEST	4B3	7B5								
CPU_RESET_L	FUNC_TEST	4B3	7A3	7A5	7B3	8D2	9A2	46C2	46D2		
JTAG_CPU_TCK	FUNC_TEST	4C3	7D5	8C2	9A2						
JTAG_CPU_TDI	FUNC_TEST	4C3	7A5	8D2	9A2						
JTAG_CPU_TDO	FUNC_TEST	4C3	9A2								
JTAG_CPU_TMS	FUNC_TEST	4C3	7A5	8D2	9A2						
JTAG_CPU_TRST_L	FUNC_TEST	4C3	7C5	8D2	9A2						
+MAXBUS_SLEEP	FUNC_TEST	4D5	6D8	7A3	7B3	7C3	7C5	7C7	8D3	9B2	9D2
ROM_CS_L	FUNC_TEST	9D4	11B8	11D8	46B7	46D1	46D2	47D2	48D4	54C6	
ROM_CS_H	FUNC_TEST	32B4	32B6	33B4							
ROM_CS_L	FUNC_TEST	32B2	32B6	33B2							
ROM_CS_H	FUNC_TEST	32B2	32B6	33B4							
SDC_VOC_3	FUNC_TEST	26A5	26B3	54B6							
SDC_VOC_5	FUNC_TEST	27C4	54A6								
SDP_HS_SOURCE	FUNC_TEST	30B5	43A5								
ANALOG_RESET*	FUNC_TEST	24C8	27C4	27D6	28B5	59D3					
ANALOG_VSOURCE*	FUNC_TEST	24C8	27C6	28B5	59D3						
FILE_ANALOG_BSD	FUNC_TEST	27C5	59D3								
FILE_ANALOG_BSD	FUNC_TEST	27C5	59D3								
FILE_ANALOG_SDR	FUNC_TEST	27C5	59D3								
SDP	FUNC_TEST										
KS_INT_SPEAK	FUNC_TEST	31A3	44C3	60A5							
KS_INT_SPEAK	FUNC_TEST	31A3	44C3	60A5							
INT_TMS_0V	FUNC_TEST	25C2	26D6	59C3							
INT_TMS_0V	FUNC_TEST	25C2	26D6	59C3							
INT_TMS_0V	FUNC_TEST	25D2	26C6	59C3							
INT_TMS_0V	FUNC_TEST	25D2	26C6	59C3							
INT_TMS_0V	FUNC_TEST	25D2	26B6	59C3							
INT_TMS_0V	FUNC_TEST	25D2	26B6	59C3							
INT_TMS_0V	FUNC_TEST	25D2	26B6	59D3							
INT_TMS_0V	FUNC_TEST	25D2	26A6	59D3							
INT_CURSEL_FILTER	FUNC_TEST	31A5									
IO_RESET_L	FUNC_TEST	34A6	37B8	46B5	46B8	46D3					
RESERVED	FUNC_TEST	31A5	54B3								
INT_12C_CLK2	FUNC_TEST	30A3	30D1	31C7	36B5	41B1					
INT_12C_DATA2	FUNC_TEST	30A3	30D1	31C7	36B5	41B1					
INT_ANALYZER_CLK	FUNC_TEST	9B4	11B4	18C7	56A7	58B3					
LAMP_STS_FILTER	FUNC_TEST	31A5									
LED_VV_FILTER	FUNC_TEST	31A5									
LED_FILTER	FUNC_TEST	31A5	54B3								
LED_FILTER	FUNC_TEST	31A5	54A3								
MICRO	FUNC_TEST	31A5	45B8	60A5							
MICRO	FUNC_TEST	31A5	45C8	60A5							
MICRO	FUNC_TEST	31A5	45B8	60A5							
CONV_RESET_L	FUNC_TEST	30C5	31D5								
12C_ADD	FUNC_TEST	31C6									
ROM_WP_L	FUNC_TEST	32A2									

FUNC_TEST

CONN_SECTION	FUNC_TEST	30C5	30D1	31D7						
MEM_DETECT	FUNC_TEST	25D6	27C6							
PLD_XROM_RESET	FUNC_TEST	47C6	47C7	47C8						
PMU_BUTTON*	FUNC_TEST	31B2	46C4							
PMU_SWITCH*	FUNC_TEST	9A8	46B1	46C5	61D4					
PMU_BUTTON*	FUNC_TEST	9A8	31B3	46A5	46B5					
PMU_SWITCH*	FUNC_TEST	46A4								
PMU_SWITCH*	FUNC_TEST	9A8	46B1	46C5	61D4					
POWER_UP*	FUNC_TEST	41C8	52C4	52C8	53B7	53C1	53C7			
RESET_BUTTON*	FUNC_TEST	46C7	53A8							
CONN_RESET_DET_L	FUNC_TEST	31B2	46C4							
ROM_BOARD_CS_L	FUNC_TEST	30B5	30B8	31C5	46C5					
CONN_DET_L	FUNC_TEST	32B2	33B4							
CONN_DET_L	FUNC_TEST	30C3	31C7							
CONN_DET_L	FUNC_TEST	30C3	31C7							
CONN_DET_L	FUNC_TEST	30C3	30D2	31C7						
CONN_DET_L	FUNC_TEST	30C3	31D5							
CONN_DET_L	FUNC_TEST	30C3	31C5							
SLEEP	FUNC_TEST	30C3	30D2	31C5						
CPU_SLEEP_L	FUNC_TEST	46B5	52C4							
PMU_AVCC	FUNC_TEST	4B3	7A5	9A2						
TMS_SDC_CLK	FUNC_TEST	46B5	46D4	54B3						
TMS_SDC_DATA	FUNC_TEST	26A5	26B3							
USER_SCH_CON	FUNC_TEST	26A5	26B4							
USER_SCH_CON	FUNC_TEST	35D3	58A3							
USER_SCH_CON	FUNC_TEST	35D3	58A3							
USER_SCH_CON	FUNC_TEST	35B3	58A3							
USER_SCH_CON	FUNC_TEST	35B3	58A3							
USER_SCH_CON	FUNC_TEST	35C3	58A3							
USER_SCH_CON	FUNC_TEST	35C3	58A3							
WT_USB_DP	FUNC_TEST	30B2	31D3	60B5						
WT_USB_DM	FUNC_TEST	30B2	31D3	60A5						
MODEM_USB_DP	FUNC_TEST	30B2	31C5	60A5						
MODEM_USB_DM	FUNC_TEST	30B2	31C5	60A5						
USER_PORT_PWR	FUNC_TEST	35A4	35B3	35C3	35D3	54A3				
VGA_12C_CLK	FUNC_TEST	27C4								
VGA_12C_DATA	FUNC_TEST	27C4								
CPU_VCORE_SLEEP	FUNC_TEST	4D3	4D7	9B6	9C2	47B3	47C1	54C6	61D7	
LINE_IN_CON	FUNC_TEST	42B7								
LINE_IN_R	FUNC_TEST	42B6	42B7							
LINE_IN_SENSE	FUNC_TEST	42B7	42C7							
LINE_IN_L	FUNC_TEST	42B7	42C7							
SDP_LIN_SENSE	FUNC_TEST	30B5	42D4							
OUT_R	FUNC_TEST									
LINEMOUT_CONFG	FUNC_TEST									
LINE_OUT_L	FUNC_TEST									
PCT_IRQ_L	FUNC_TEST	33B6	33C3	56C7						
RF_CLEAR_L	FUNC_TEST	33C3								
MC_SP_DISABLE_L	FUNC_TEST									
PCT_RESET_L	FUNC_TEST	32A8	32C5	33B7	34B6	56D7				
PCT_STOP_L	FUNC_TEST	32A8	32C5	33B7	34B6	56D7				
PCT_TRDY_L	FUNC_TEST	32B8	32C5	33B7	34B6	56D7				
PCT_FRAME_L	FUNC_TEST	32B8	32C5	33B7	34B6	55A6				
PCT_PAB	FUNC_TEST	32C5	33B7	34B6	56D7					
WL_PCT_RESET	FUNC_TEST	33C2								
33SLOTR_INT_L	FUNC_TEST	30B7	33C2							
PCT_SML_L	FUNC_TEST	30B5	33C2	34A7	46B2					
PCT_SLOTR_DET_L	FUNC_TEST	32A6	32D5	33C2						
CL33M_PCT_SLOTR	FUNC_TEST	32D7	33C2	56D7						
PCT_SLOTR_SIG_L	FUNC_TEST	32A8	32D5	33C3						
MAIN_RESET_L	FUNC_TEST	32A2	33D4	34A6	46C4					
PCT_CBE0*	FUNC_TEST	32C5	33B7	34B6	55A6					
PCT_CBE1*	FUNC_TEST	33B6	33C3	56C7						
PCT_CBE2*	FUNC_TEST	33B6	33C3	56C7						
PCT_CBE3*	FUNC_TEST	33B6	33C3	56C7						
UM100_DP1015	FUNC_TEST	30B5	30C1							

FUNC_TEST

PCT_Adv0*	FUNC_TEST	32B2	32D4	33C7	34C6	55A6
PCT_Adv1*	FUNC_TEST	33B3	33C6	56C7		
PCT_Adv2*	FUNC_TEST	33B2	33C6	56C7		
PCT_Adv3*	FUNC_TEST	33B3	33C6	56C7		

D

C

B

A

D

C

B

A

```

*** Signal Cross-Reference ***
--- for the entire design ---

+1_5V_AGP      12D6 13C8 18A8 18C2 18D7 19A4 19D5
               48B4 54C3 61C7
+1_5V_INTREPID_PLL1 11D3 18D6 30D6 32D5 54D3
+1_5V_INTREPID_PLL2 30C4 54D3
+1_5V_INTREPID_PLL3 30D4 54D3
+1_5V_INTREPID_PLL4 30D4 54D3
+1_5V_INTREPID_PLL5 18D5 54D3
+1_5V_INTREPID_PLL6 32D4 54D3
+1_5V_INTREPID_PLL7 11D2 54D3
+1_5V_INTREPID_PLL8 30D4 54D3
+1_8V_MAIN     54C4 61D7
+2_5V_ENET     37C3 37D3 37D5 54C6
+2_5V_DDR_AVDD 10D4 54D6
+2_5V_DDR_VDD  10D5 54D6
+2_5V_MAIN     32A3 54C4 61D7
+3_3VFPD      26D6 53C1 54B6
+3V_AUDIO     41D2 41D6 41D7 42C3 45C2 45D5
+3V_INTREPID_USB 30C4 54A3
+3V_INTSS_AVDD 10B7 54D6
+3V_INTSS_VDD  10B6 54D6
+3V_MAIN      41D4 42D5 43A5 43A7 44A7 44D4 54C4
               61D7
+5VSD_T       52D7
+5V_AUDIO     41C6 41D7 43B8
+5V_HP        43A8 43B7 43D5
+5V_MAIN      54C4 61D7
+5V_SLEEP     48C7 48D6 52C6 53A5 53C5 61D7
+12VSD_FILT   31A5 54B3
+12VSD_T      52D7
+12V_DROPPED  46D8
+12V_MAIN     38D8 41C8 44D8 46D8 47B4 47D3 47D7
               50C4 50C8 50D6 51C4 51D4 51D7 52B4
               52C4 52C6 52D4 52D6 53A4 53A7 53B7
               53D7 54C1 61D7
+12V_SLEEP    31A3 31A8 31C5 52D6 53A4 53D6 54C1
               61D7
+12V_SLEEPA   61D7
+INTREPID_CORE_MAIN 12D6 13D4 48B3 49B2 61C7
+MAXBUS_SLEEP 4D5 6D8 7A3 7B3 7C3 7C5 7C7 8D3 9B2
               9D2 9D4 11B8 11D8 46B7 46D1 46D2
               47D2 48D4 54C6 61C7
3_8VH_TRICKLE 46C1 46D7 54B3
3_8V_TRICKLE  46C2 46C6 46D7 52D6 54C1 54C2
3_5_HONKER    53C4
3_6V_SLEEP    39D1 53C1
5V_USB_FUSED  35A7
5V_XRA        52B4
25V_BSTH      51C5 51C6
25V_BSTH_TERM 51C5
25V_COMP      51B6
25V_COMP_DWN  51B6
25V_DH        51B5
25V_DHT       51B5
25V_DL        51B5
25V_DLT       51B4
25V_GND       51B6
25V_NET99     51C3
25V_OCSET     51C5
25V_OVP       51B6
25V_VCC       51C6
25V_VPWR      51B5 51C5
25V_VPWRA     51B4
25V_VSENSE    51C3 51C5
25_CORE_1     51C3
33PCI_SLOTD_SERR_L 34B6
33SLOTB_INT_L 30B7 33C2 61A4
2059_IIC_CLK  10C5
2059_IIC_DAT  10C5
A0_IIC_MCK    10A4 10C5
A1_IIC_MCK    10A4 10C5
AGND          54C4
AGPIO_VPWR    48B6
AGP_AD<31..0> 18B4 18C4 19C8 19D8 56C7
AGP_AD_STB<1..0> 18A4 18B3 19B8 56C7
AGP_AD_STB_GPUUF<1..0> 19B7 56B7
AGP_AD_STB_L<1..0> 18A4 18D1 19B8 56C7
AGP_AD_STB_L_GPUUF<1..0> 19B7 56B7

```

```

AGP_BUSY_L    18C6 18D1 18D3 19A8 56B7
AGP_CBE<3..0> 18B4 19C8 56C7
AGP_DEVSEL_L  18B4 18C3 19B8 56C7
AGP_FBI_EQUAL 18C7 56A7
AGP_FBO_EQUAL 18B7 56A7
AGP_FB_PLUS2  18B8 56A7
AGP_FRAME_L   18B4 18C3 19B8 56C7
AGP_GNT_L     18C3 18C4 19B7 56B7
AGP_INT_L     19B7 30B5 30B8
AGP_IRDY_L    18B4 18C3 19B8 56C7
AGP_PAR       18B4 19B8 56B7
AGP_PIPE_L    18A4 18B3 19B8 56B7
AGP_PLLVDD    19C5
AGP_RBF_L     18A4 18B3 19B8 56B7
AGP_REQ_L     18C3 18C4 19B7 56B7
AGP_RESET_L   19C7 46D3
AGP_SBA<7..0> 18A4 18B1 18B4 18C1 19A8 56B7
AGP_SB_STB    18A4 18B3 19A8 56B7
AGP_SB_STR_L  18A4 18D1 19A8 56B7
AGP_ST<2..0> 18A4 18B1 19B7 56B7
AGP_STOP_L    18B3 18B4 19B8 56C7
AGP_TRDY_L    18B3 18B4 19B8 56C7
AGP_WBF_L     18A6 18B1 19B8 56B7
AINLM        41C4
AINLP        41C4
AINRM        41C4
AINRP        41C4
ALTCHGND     54C4
AMPBIAS      44B6
AMPDC1       44B6
AMPDC2       44B6
AMPFAULT     44B6 44B8
AMPUMP       44B6
AMPREF       44B6
ANALOG_GND   54C4
ANALOG_BLU   24C5 24C8 27C6 59D3
ANALOG_GRN   24C5 24C8 27C6 59D3
ANALOG_HSYNC* 24C8 27C4 27D6 28B5 59D3 61B7
ANALOG_RED   24C5 24C8 27B6 59D3
ANALOG_VSYNC* 24C8 27C6 28B5 59D3 61B7
ANEN         37C4
AOUTL        41C1 43D7 44B8
AOUTR        41C1 43C7 44C8
ASH          45B6
AUDIO_SPKR_ID_B 44C4
AUDIO_TO_SND 30B2 30B3 41C1
AUD_AMP_5V   44B8 44C6
AUD_R_FB     41D6
BB_MISO      8B4 8B6
BB_MOSI      8B4 8B5 8B6
BB_SCK       8B4 8B6
BFR_HRESET_L 8B4 8C6
BRCLKO       30A5
BRE          47C5
BRE_1        47B5
BT1          46D6 53A5
BT1_LED      53A5
BT_USB_DM    30B2 31D3 60A5 61B4
BT_USB_DP    30B2 31D3 60B5 61B4
C412P1       43B3
C756_2       42D3
C4237P2      42C4
C4240P2      42C4
C4242P2      42B4
C4243P2      42B4
CAP_PLL      41B4
CD_CS1FX_L   40C6 60C5
CD_CS3FX_L   40C6 60C5
CD_DMACK_L   39D4 40C6 60D5
CD_DMARQ     40C6 60D5
CD_DSTB_RDY  39C4 40C6 60D5
CD_EIDE_ADDR<2..0> 40C6 60C5
CD_HSTR_RDY  39C4 40C6 60D5
CD_RESET_L   39D4 40C6 60D5
CD_STOP      39D4 40C6 60D5
CHGND        54C4
CLK18M_INT_EXT 30B6
CLK18M_INT_XIN 30A5
CLK18M_INT_XO 30A6
CLK18M_INT_XOUT 30A5
CLK25M_ENET_XIN 37B6 59B3

```

```

CLK25M_ENET_XOUT 37B6 59B3
CLK33M_PCI_SLOTB 32D7 33C2 56D7 61A4
CLK33M_PCI_SLOTB_UP 32C5 56D7
CLK33M_PCI_SLOTC_UP 32C5 56D7
CLK33M_PCI_SLOTD 32D7 34A6 56A7
CLK33M_PCI_SLOTD_UP 32C5 56D7
CLK66M_GPU_AGP 18D8 19C7 56A7
CLK66M_GPU_UP 18C6 56A7
CLKENET_LINK_GBE_REF 36C6
CLKENET_LINK_RX 36C7 37C8 59C3
CLKENET_LINK_TX 36D7 37C8 59C3
CLKENET_PHY_RX 37C6 59C3
CLKENET_PHY_TX 37C6 59C3
CLKFW_LINK_LCLK 36C5
CLKGEN_OUT_1 10A6 55A6
CLK18M_INT_XOUT 60B5
COLE         48C7
COMM_DTR_L   30C3 31C7 61C4
COMM_GPIO_L  30C3 30D2 31C5 61C4
COMM_RESET_L 30C5 31D5 61A7
COMM_RING_DET_L 30B5 30B8 31C5 46C5 61D4
COMM_RTS_L   30C3 31D5 61C4
COMM_RXD     30C3 31C5 61C4
COMM_SHUTDOWN 30C5 30D1 31D7 61D4
COMM_TRXC    30C3 30D2 31C7 61C4
COMM_TXD_L   30C3 31C7 61C4
CORE_MOSFET  47C4 47C6
CORE_MOSFET_1 47B5 47C7
CPU_AACK_L   4A7 7B7 9B6 11B3 58C3
CPU_ADDR<31..0> 4B7 4C7 9B7 9B8 9C5 9C6 9C7 9C8
               11C3 11D3 58D3
CPU_ARTRY_L  4A7 7C7 9B8 11B3 58C3
CPU_AVDD     4D3 54C6
CPU_BG_L     4D7 7B7 9B5 11D3 58D3
CPU_BR_L     4D7 7C7 9C5 11D3 58D3
CPU_BUS_VSEL 4D3 7C4
CPU_CHKSTP_IN_L 4B3 7B5 61C7
CPU_CHKSTP_OUT_L 4B3 7B5 9A2 9D6 61C7
CPU_C1_L     4A7 7A7 9C6 11C3 58C3
CPU_CLK_EN   11A3 46C4
CPU_DATA<63..0> 5A4 5B4 5C4 5D4 9C5 9C6 9C7 9C8 9D5
               9D6 9D7 9D8 11B1 11B5 11B8 11C1 11C5
               11D1 11D5 11D8 58D3
CPU_DBG_L    4C3 7B7 9C8 11B1 58C3
CPU_DRDY_L   4C2 7B7 9B6 11B1 58C3
CPU_DRDY_L_UP 4C3 58C3
CPU_DTI<2..0> 4C3 9B5 9B7 11A1 58C3
CPU_EDTI     4C3 7C5
CPU_EMODE0_L 4B3 7A4
CPU_EMODE1_L 4B3 7A4
CPU_FBI_PLUS1 11A4 58C3
CPU_FBO_PLUS1 11A4 58C3
CPU_FB_MINUS3 11A4 58C3
CPU_FB_PLUS2 11A5 58C3
CPU_FB_PLUS3 11A4 58B3
CPU_GBL_L    4B8 9B6 58C3
CPU_HDRST_L  8C7 46C4
CPU_HIT_L    4A7 7C7 9B8 11B3 58C3
CPU_HRESET_L 4B3 7A3 7A5 7B3 8D2 9A2 46C2 46D2
               61C7
CPU_INT_GBL_L 4B8 7B7 11C3 58C3
CPU_L1TSTCLK 4C3 7A4
CPU_L2TSTCLK 4C3 7C4
CPU_LSSD_MODE 4C3 7B5
CPU_MCP_L    4B3 7B5
CPU_PLL_CPG<3..0> 4C3 4D3 6C6 9A8
CPU_PLL_CPGEXT 4C3 6C6 9A8
CPU_PLL_STOP 6B8 46B8
CPU_PMONIN_L 4B3 7C5
CPU_PULLDOWN 4A3 4D7 7C5
CPU_PULLUP   4A3 7A5
CPU_QACK_L   4C3 9B5 11B3 58C3
CPU_QREQ_L   4C3 7D5 9B7 11B3 58C3
CPU_SHD0_L   4A7 7B5
CPU_SHD1_L   4A7 7B5
CPU_SLEEPIN  53B7
CPU_SMI_L    4B3 7A5 46C4
CPU_SRESET_L 4B3 7A5 9A2 61C4
CPU_STATE_LED* 46C4 53A8
CPU_TA_L     4C3 7C7 9C5 11A1 58C3
CPU_TBEN    4C3 7C5 11A3

```

```

CPU_TBST_L   4B7 7B7 9B5 11B3 58D3
CPU_TEA_L    4C3 7B7 9C6 11A1 58C3
CPU_TSIZ<2..0> 4B7 9B6 9B7 9C6 11B3 58D3
CPU_TS_L     4D7 7C7 9C7 11D3 58D3
CPU_TT<4..0> 4B7 7A7 9B5 9B6 9C5 9C6 11B3 58D3
CPU_VCORE_SLEEP 4D3 4D7 9B6 9C2 47B3 47C1 54C6 61B4
               61D7
CPU_VCORE_SLEEPA 47C3
CPU_VCORE_SLEEPB 47A4
CPU_VCORE_SLEEP_C 47A1
CPU_WT_L     4B7 7A7 9B6 11B3 58C3
CSLOT_IOWAIT_L 39B7 54A6
CVBS_CNT     24B8 25D6
CVBS_D       24B7
CY69P2       41B5
DAC2RESET    24C6 59D3
DAC2VDD     24C5 54B6
DAC2VREF    24C5 59D3
DACRSET     24C4
DACVDD      24C4 54B6
DACVREF     24C4
DDC_VCC_3    26A5 26B3 54B6 61B7
DDC_VCC_5    27C4 54A6 61B7
DDRCLK_A0_L_UP 10B3 55B6
DDRCLK_A0_UP 10C3 55B6
DDRCLK_A1_L_UP 10B3 55B6
DDRCLK_A1_UP 10C3 55B6
DDRCLK_A2_L_UP 10B3 55B6
DDRCLK_A2_UP 10C3 55B6
DDRCLK_B0_L_UP 10B3 55A6
DDRCLK_B0_UP 10C3 55B6
DDRCLK_B1_L_UP 10B3 55A6
DDRCLK_B1_UP 10C3 55B6
DDRCLK_B2_L_UP 10B3 55A6
DDRCLK_B2_UP 10C3 55B6
DDR_CLK_CE   10B5
DDR_CLK_VDD_2 10C5 55B6
DDR_FBIN     10B5 55A6
DDR_FBIN_L   10B5 55A6
DDR_FBO      10B3 55A6
DDR_FBO_L    10B3 55A6
DDR_VREF     16B2 16D1 16D8 17D8 54A6
DS1P1        37B2
DS2P1        37B1
DS2_1        40B2
DS2_2        40B2
DS3P1        37B2
DS6_1        40B6
DS6_2        40B6
DUKE_BD      47B5
DVCLKIN      24C5
DVOD0        24B5 29B7
DVOD1        24B5 29B7
DVOD2        24B5 29C7
DVOD3        24B5 29C7
DVOD4        24B5 29C7
DVOD5        24B5 29C7
DVOD6        24B5 29C7
DVOD7        24B5 29C7
DVOD8        24B5 29C7
DVOD9        24B5 29C7
DVOD10       24B5 29C7
DVOD11       24B5 29C7
DVODE        24C5
DVOWSYNC     24C5 28D7
DVOPU        24B5
REPR_WP      8A6
EIDE_ADDR<2..0> 39B7 40A8 40B8 60C5
EIDE_CS1FX_L 39A7 40B8 60C5
EIDE_CS3FX_L 39A7 40B8 60C5
EIDE_CSELP_L 40C6 54A6
EIDE_DATA<15..0> 39A5 39B5 39B7 39C5 60D5
EIDE_DMACK_L 39A7 39D5 60D5
EIDE_DMARQ   39A7 40C8 60D5
EIDE_DSTB_RDY 39A7 39C5 60D5
EIDE_HSTR_RDY 39A7 39C5 60D5
EIDE_INTRQ   39A7 40C8 60C5
EIDE_IOCS16_L 40C6 54A6
EIDE_PDIAG   40C6

```

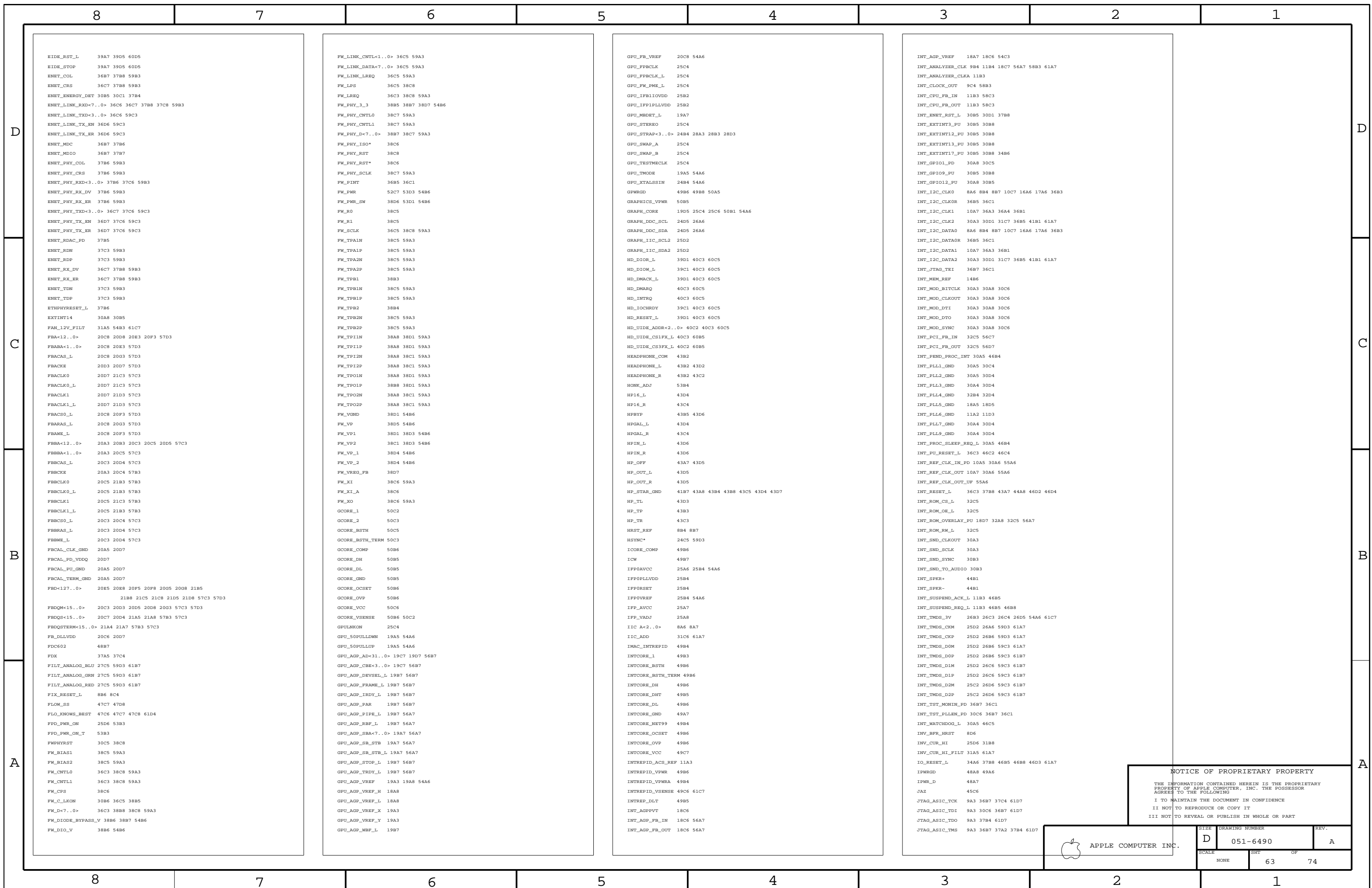
NOTICE OF PROPRIETARY PROPERTY

THE INFORMATION CONTAINED HEREIN IS THE PROPRIETARY PROPERTY OF APPLE COMPUTER, INC. THE POSSESSOR AGREES TO THE FOLLOWING

I TO MAINTAIN THE DOCUMENT IN CONFIDENCE

II NOT TO REPRODUCE OR COPY IT

III NOT TO REVEAL OR PUBLISH IN WHOLE OR PART



D

C

B

A

D

C

B

A

EIDE_RST_L 39A7 39D5 60D5
 EIDE_STOP 39A7 39D5 60D5
 ENET_COL 36B7 37B8 59B3
 ENET_CRS 36C7 37B8 59B3
 ENET_ENERGY_DET 30B5 30C1 37B4
 ENET_LINK_RXD<7..0> 36C6 36C7 37B8 37C8 59B3
 ENET_LINK_TXD<3..0> 36C6 59C3
 ENET_LINK_TX_EN 36D6 59C3
 ENET_LINK_TX_ER 36D6 59C3
 ENET_MDC 36B7 37B6
 ENET_MDIO 36B7 37B7
 ENET_PHY_COL 37B6 59B3
 ENET_PHY_CRS 37B6 59B3
 ENET_PHY_RXD<3..0> 37B6 37C6 59B3
 ENET_PHY_RX_DV 37B6 59B3
 ENET_PHY_RX_ER 37B6 59B3
 ENET_PHY_TXD<3..0> 36C7 37C6 59C3
 ENET_PHY_TX_EN 36D7 37C6 59C3
 ENET_PHY_TX_ER 36D7 37C6 59C3
 ENET_RDAC_PD 37B5
 ENET_RDN 37C3 59B3
 ENET_RDP 37C3 59B3
 ENET_RX_DV 36C7 37B8 59B3
 ENET_RX_ER 36C7 37B8 59B3
 ENET_TDN 37C3 59B3
 ENET_TDP 37C3 59B3
 ETHPHYRESET_L 37B6
 EXTINT14 30A8 30B5
 FAN_12V_FILT 31A5 54B3 61C7
 FBA<12..0> 20C8 20D8 20E3 20F3 57D3
 FBABA<1..0> 20C8 20E3 57D3
 FBACAS_L 20C8 20G3 57D3
 FBACKE 20D3 20D7 57D3
 FBACLK0 20D7 21C3 57C3
 FBACLK0_L 20D7 21C3 57C3
 FBACLK1 20D7 21D3 57C3
 FBACLK1_L 20D7 21D3 57C3
 FBACSO_L 20C8 20F3 57D3
 FBARAS_L 20C8 20G3 57D3
 FBARE_L 20C8 20F3 57D3
 FBBA<12..0> 20A3 20B3 20C3 20C5 20D5 57C3
 FBBA<1..0> 20A3 20C5 57C3
 FBBCAS_L 20C3 20D4 57C3
 FBBCKE 20A3 20C4 57B3
 FBCLK0 20C5 21B3 57B3
 FBCLK0_L 20C5 21B3 57B3
 FBCLK1 20C5 21C3 57B3
 FBCLK1_L 20C5 21B3 57B3
 FBBCSO_L 20C3 20C4 57C3
 FBRRAS_L 20C3 20D4 57C3
 FBWE_L 20C3 20D4 57C3
 FBAL_CLK_GND 20A5 20D7
 FBAL_PD_VDDQ 20D7
 FBAL_PU_GND 20A5 20D7
 FBAL_TERM_GND 20A5 20D7
 FBD<127..0> 20E5 20E8 20F5 20F8 20G5 20G8 21B5
 21B8 21C5 21C8 21D5 21D8 57C3 57D3
 FBDQM<15..0> 20C3 20D3 20D5 20D8 20G3 57C3 57D3
 FBDQS<15..0> 20C7 20D4 21A5 21A8 57B3 57C3
 FBDQSTERM<15..0> 21A4 21A7 57B3 57C3
 FB_DLLVDD 20C6 20D7
 FDC602 48B7
 FDX 37A5 37C4
 FILT_ANALOG_BLI 27C5 59D3 61B7
 FILT_ANALOG_GRN 27C5 59D3 61B7
 FILT_ANALOG_RED 27C5 59D3 61B7
 FIX_RESET_L 8B6 8C4
 FLOW_SS 47C7 47D8
 FLO_KNWS_BEST 47C6 47C7 47C8 61D4
 FPD_PWR_ON 25D6 53B3
 FPD_PWR_ON_T 53B3
 FWPHYRST 30C5 38C8
 FW_BIAS1 38C5 59A3
 FW_BIAS2 38C5 59A3
 FW_CNTL0 36C3 38C8 59A3
 FW_CNTL1 36C3 38C8 59A3
 FW_CPS 38C6
 FW_C_LKON 30B6 36C5 38B5
 FW_D<7..0> 36C3 38B8 38C8 59A3
 FW_DIODE_BYPASS_V 38B6 38B7 54B6
 FW_DIO_V 38B6 54B6

FW_LINK_CNTL<1..0> 36C5 59A3
 FW_LINK_DATA<7..0> 36C5 59A3
 FW_LINK_LREQ 36C5 59A3
 FW_LFS 36C5 38C8
 FW_LREQ 36C3 38C8 59A3
 FW_PHY_3_3 38B5 38B7 38D7 54B6
 FW_PHY_CNTL0 38C7 59A3
 FW_PHY_CNTL1 38C7 59A3
 FW_PHY_D<7..0> 38B7 38C7 59A3
 FW_PHY_ISO* 38C6
 FW_PHY_RST 38C8
 FW_PHY_RST* 38C6
 FW_PHY_SCLK 38C7 59A3
 FW_PINT 36B5 36C1
 FW_PWR 52C7 53D3 54B6
 FW_PWR_SW 38D6 53D1 54B6
 FW_R0 38C5
 FW_R1 38C5
 FW_SCLK 36C5 38C8 59A3
 FW_TPA1N 38C5 59A3
 FW_TPA1P 38C5 59A3
 FW_TPA2N 38C5 59A3
 FW_TPA2P 38C5 59A3
 FW_TPB1 38B3
 FW_TPB1N 38C5 59A3
 FW_TPB1P 38C5 59A3
 FW_TPB2 38B4
 FW_TPB2N 38C5 59A3
 FW_TPB2P 38C5 59A3
 FW_TPI1N 38A8 38D1 59A3
 FW_TPI1P 38A8 38D1 59A3
 FW_TPI2N 38A8 38C1 59A3
 FW_TPI2P 38A8 38C1 59A3
 FW_TPO1N 38A8 38D1 59A3
 FW_TPO1P 38B8 38D1 59A3
 FW_TPO2N 38A8 38C1 59A3
 FW_TPO2P 38A8 38C1 59A3
 FW_VGND 38D1 54B6
 FW_VP 38D5 54B6
 FW_VP1 38D1 38D3 54B6
 FW_VP2 38C1 38D3 54B6
 FW_VP_1 38D4 54B6
 FW_VP_2 38D4 54B6
 FW_VREG_FB 38D7
 FW_XI 38C6 59A3
 FW_XI_A 38C6
 FW_XO 38C6 59A3
 GCORE_1 50C2
 GCORE_2 50C3
 GCORE_BSTH 50C5
 GCORE_BSTH_TERM 50C3
 GCORE_COMP 50B6
 GCORE_DH 50B5
 GCORE_DL 50B5
 GCORE_GND 50B5
 GCORE_OCSET 50B6
 GCORE_OVP 50B6
 GCORE_VCC 50C6
 GCORE_VSENSE 50B6 50C2
 GPULNKON 25C4
 GPU_S0PULLDOWN 19A5 54A6
 GPU_S0PULLUP 19A5 54A6
 GPU_AGP_AD<31..0> 19C7 19D7 56B7
 GPU_AGP_CBE<3..0> 19C7 56B7
 GPU_AGP_DEVSEL_L 19B7 56B7
 GPU_AGP_FRAME_L 19B7 56B7
 GPU_AGP_IRDY_L 19B7 56B7
 GPU_AGP_PAR 19B7 56B7
 GPU_AGP_PIPE_L 19B7 56A7
 GPU_AGP_RBF_L 19B7 56A7
 GPU_AGP_SBA<7..0> 19A7 56A7
 GPU_AGP_SB_STB 19A7 56A7
 GPU_AGP_SB_STB_L 19A7 56A7
 GPU_AGP_STOP_L 19B7 56B7
 GPU_AGP_TRDY_L 19B7 56B7
 GPU_AGP_VREF 19A3 19A8 54A6
 GPU_AGP_VREF_H 18A8
 GPU_AGP_VREF_L 18A8
 GPU_AGP_VREF_X 19A3
 GPU_AGP_VREF_Y 19A3
 GPU_AGP_WBF_L 19B7

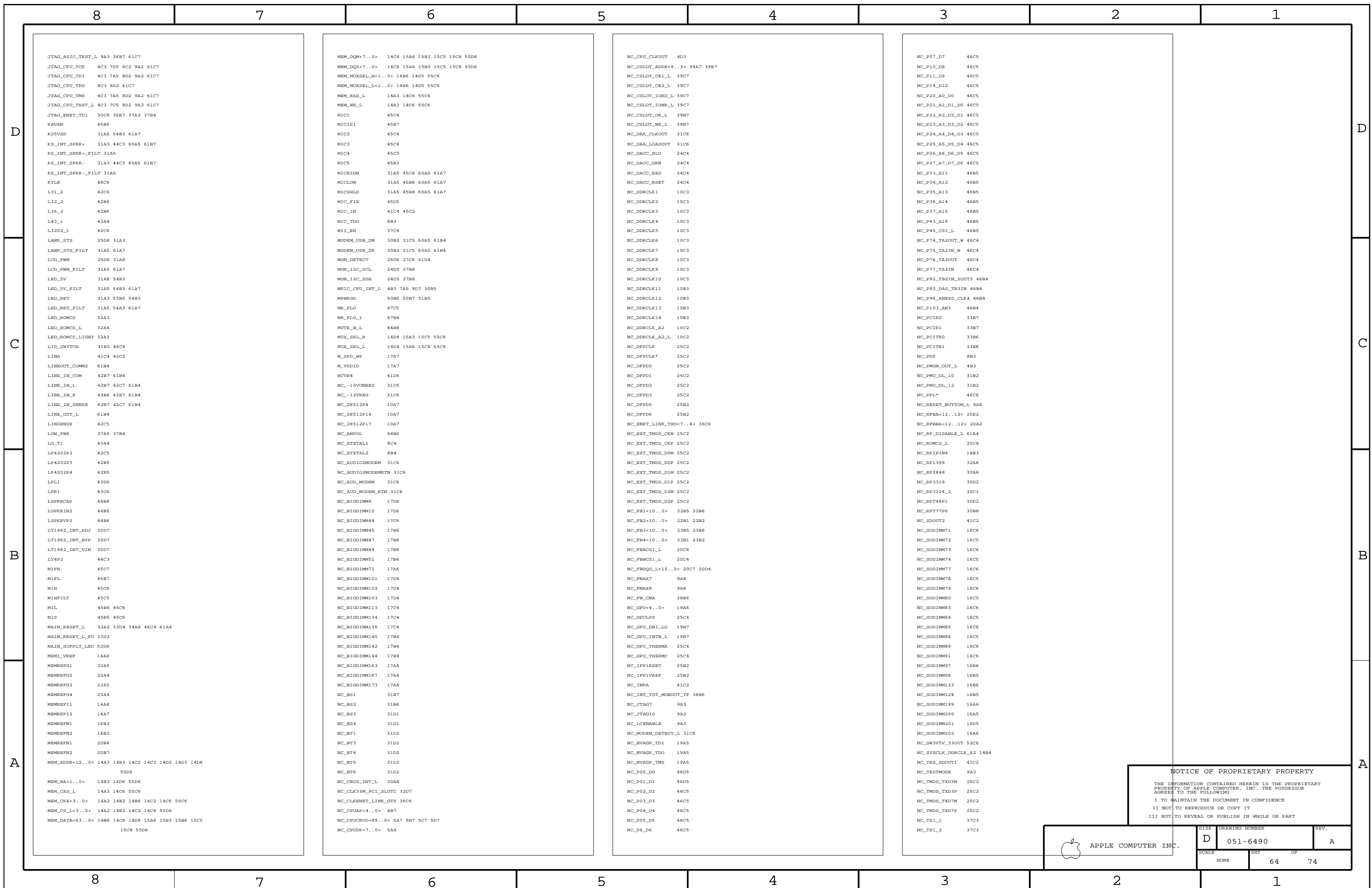
GPU_FB_VREF 20C8 54A6
 GPU_FPBCLK 25C4
 GPU_FPBCLK_L 25C4
 GPU_FW_PME_L 25C4
 GPU_FB_IIOVDD 25B2
 GPU_IPPILLVDD 25B2
 GPU_MBDL_L 19A7
 GPU_STEREO 25C4
 GPU_STRAP<3..0> 24B4 28A3 28B3 28D3
 GPU_SWAP_A 25C4
 GPU_SWAP_B 25C4
 GPU_TESTMECLK 25C4
 GPU_TMODE 19A5 54A6
 GPU_XTALSSIN 24B4 54A6
 GPWRGD 49B6 49B8 50A5
 GRAPHICS_VPWR 50B5
 GRAPH_CORE 19D5 25C4 25C6 50B1 54A6
 GRAPH_DDC_SCL 24D5 26A6
 GRAPH_DDC_SDA 24D5 26A6
 GRAPH_IIC_SCL2 25D2
 GRAPH_IIC_SDA2 25D2
 HD_DIOR_L 39D1 40C3 60C5
 HD_DIOW_L 39C1 40C3 60C5
 HD_DMACK_L 39D1 40C3 60C5
 HD_DMARQ 40C3 60C5
 HD_INTRQ 40C3 60C5
 HD_IOCHRDY 39C1 40C3 60C5
 HD_RESET_L 39D1 40C3 60C5
 HD_UIDE_ADDR<2..0> 40C2 40C3 60C5
 HD_UIDE_CS1FX_L 40C3 60B5
 HD_UIDE_CS3FX_L 40C2 60B5
 HEADPHONE_COM 43B2
 HEADPHONE_L 43B2 43D2
 HEADPHONE_R 43B2 43C2
 HONK_ADJ 53B4
 HP16_L 43D4
 HP16_R 43C4
 HPBYP 43B5 43D6
 HPGAL_L 43D4
 HPGAL_R 43C4
 HPIN_L 43D6
 HPIN_R 43D6
 HP_OFF 43A7 43D5
 HP_OUT_L 43D5
 HP_OUT_R 43D5
 HP_STAR_GND 41B7 43A8 43B4 43B8 43C5 43D4 43D7
 HP_TL 43D3
 HP_TP 43B3
 HP_TR 43C3
 HRST_REF 8B4 8B7
 HSYNC* 24C5 59D3
 ICORE_COMP 49B6
 ICW 49B7
 IFP0AVCC 25A6 25B4 54A6
 IFP0PLLVD 25B4
 IFP0RST 25B4
 IFP0VREF 25B4 54A6
 IFP_AVCC 25A7
 IFP_VADJ 25A8
 IIC A<2..0> 8A6 8A7
 IIC_ADD 31C6 61A7
 IMAC_INTREPID 49B4
 INTCORE_1 49B3
 INTCORE_BSTH 49B6
 INTCORE_BSTH_TERM 49B6
 INTCORE_DH 49B6
 INTCORE_DHT 49B5
 INTCORE_DL 49B6
 INTCORE_GND 49A7
 INTCORE_NET99 49B4
 INTCORE_OCSET 49B6
 INTCORE_OVP 49B6
 INTCORE_VCC 49C7
 INTREPID_ACS_REF 11A3
 INTREPID_VPWR 49B6
 INTREPID_VPWR_A 49B4
 INTREPID_VSENSE 49C6 61C7
 INTREP_DLT 49B5
 INT_AGGPVT 18C6
 INT_AGP_FB_IN 18C6 56A7
 INT_AGP_FB_OUT 18C6 56A7

INT_AGP_VREF 18A7 18C6 54C3
 INT_ANALYZER_CLK 9B4 11B4 18C7 56A7 58B3 61A7
 INT_ANALYZER_CLKA 11B3
 INT_CLOCK_OUT 9C4 58B3
 INT_CPU_FB_IN 11B3 58C3
 INT_CPU_FB_OUT 11B3 58C3
 INT_ENET_RST_L 30B5 30D1 37B8
 INT_EXTINT3_PU 30B5 30B8
 INT_EXTINT2_PU 30B5 30B8
 INT_EXTINT3_PU 30B5 30B8
 INT_EXTINT17_PU 30B5 30B8 34B6
 INT_GP101_PD 30A8 30C5
 INT_GP109_PU 30B5 30B8
 INT_GP1012_PU 30A8 30B5
 INT_I2C_CLK0 8A6 8B4 8B7 10C7 16A6 17A6 36B3
 INT_I2C_CLKOR 36B5 36C1
 INT_I2C_CLK1 10A7 36A3 36A4 36B1
 INT_I2C_CLK2 30A3 30D1 31C7 36B5 41B1 61A7
 INT_I2C_DATA0 8A6 8B4 8B7 10C7 16A6 17A6 36B3
 INT_I2C_DATAOR 36B5 36C1
 INT_I2C_DATA1 10A7 36A3 36B1
 INT_I2C_DATA2 30A3 30D1 31C7 36B5 41B1 61A7
 INT_JTAG_TEI 36B7 36C1
 INT_MEM_REF 14B6
 INT_MOD_BITCLK 30A3 30A8 30C6
 INT_MOD_CLKOUT 30A3 30A8 30C6
 INT_MOD_DTI 30A3 30A8 30C6
 INT_MOD_DTO 30A3 30A8 30C6
 INT_MOD_SYNC 30A3 30A8 30C6
 INT_PCI_FB_IN 32C5 56C7
 INT_PCI_FB_OUT 32C5 56D7
 INT_PEND_PROC_INT 30A5 46B4
 INT_PLL1_GND 30A5 30C4
 INT_PLL2_GND 30A5 30D4
 INT_PLL3_GND 30A4 30D4
 INT_PLL4_GND 32B4 32D4
 INT_PLL5_GND 18A5 18D5
 INT_PLL6_GND 11A2 11D3
 INT_PLL7_GND 30A4 30D4
 INT_PLL9_GND 30A4 30D4
 INT_PROC_SLEEP_REQ_L 30A5 46B4
 INT_PU_RESET_L 36C3 46C2 46C4
 INT_REF_CLK_IN_PD 10A5 30A6 55A6
 INT_REF_CLK_OUT 10A7 30A6 55A6
 INT_REF_CLK_OUT_UP 55A6
 INT_RESET_L 36C3 37B8 43A7 44A8 46D2 46D4
 INT_ROM_CS_L 32C5
 INT_ROM_OR_L 32C5
 INT_ROM_OVERLAY_PU 18D7 32A8 32C5 56A7
 INT_ROM_RN_L 32C5
 INT_SND_CLKOUT 30A3
 INT_SND_SCLK 30A3
 INT_SND_SYNC 30B3
 INT_SND_TO_AUDIO 30B3
 INT_SPKR+ 44B1
 INT_SPKR- 44B1
 INT_SUSPEND_ACK_L 11B3 46B5
 INT_SUSPEND_REQ_L 11B3 46B5 46B8
 INT_TMDS_3V 26B3 26C3 26C4 26D5 54A6 61C7
 INT_TMDS_CKM 25D2 26A6 59D3 61A7
 INT_TMDS_CKP 25D2 26B6 59D3 61A7
 INT_TMDS_D0M 25D2 26B6 59C3 61A7
 INT_TMDS_D0P 25D2 26B6 59C3 61B7
 INT_TMDS_D1M 25D2 26C6 59C3 61B7
 INT_TMDS_D1P 25D2 26C6 59C3 61B7
 INT_TMDS_D2M 25C2 26D6 59C3 61B7
 INT_TMDS_D2P 25C2 26D6 59C3 61B7
 INT_TST_MONIN_PD 36B7 36C1
 INT_TST_PLLEN_PD 30C6 36B7 36C1
 INT_WATCHDOG_L 30A5 46C5
 INV_BFR_HRST 8D6
 INV_CUR_HI 25D6 31B8
 INV_CUR_HI_FILT 31A5 61A7
 IO_RESET_L 34A6 37B8 46B5 46B8 46D3 61A7
 IPWRGD 48A8 49A6
 IPWR_D 48A7
 JAZ 45C6
 JTAG_ASIC_TCK 9A3 36B7 37C4 61D7
 JTAG_ASIC_TDI 9A3 30C6 36B7 61D7
 JTAG_ASIC_TDO 9A3 37B4 61D7
 JTAG_ASIC_TMS 9A3 36B7 37A2 37B4 61D7

NOTICE OF PROPRIETARY PROPERTY
 THE INFORMATION CONTAINED HEREIN IS THE PROPRIETARY PROPERTY OF APPLE COMPUTER, INC. THE POSSESSOR AGREES TO THE FOLLOWING:
 I TO MAINTAIN THE DOCUMENT IN CONFIDENCE
 II NOT TO REPRODUCE OR COPY IT
 III NOT TO REVEAL OR PUBLISH IN WHOLE OR PART

APPLE COMPUTER INC.

SIZE	DRAWING NUMBER	REV.
D	051-6490	A
SCALE	SHT	OF
NONE	63	74



NOTICE OF PROPRIETARY PROPERTY
 THE INFORMATION CONTAINED HEREIN IS THE PROPRIETARY PROPERTY OF APPLE COMPUTER, INC. THE POSSESSOR AGREES TO THE FOLLOWING:
 I TO MAINTAIN THE DOCUMENT IN CONFIDENCE
 II NOT TO REPRODUCE OR COPY IT
 III NOT TO REVEAL OR PUBLISH IN WHOLE OR PART

APPLE COMPUTER INC.	SIZE D	DRAWING NUMBER 051-6490	REV. A
	SCALE NONE	SHEET 64	OF 74



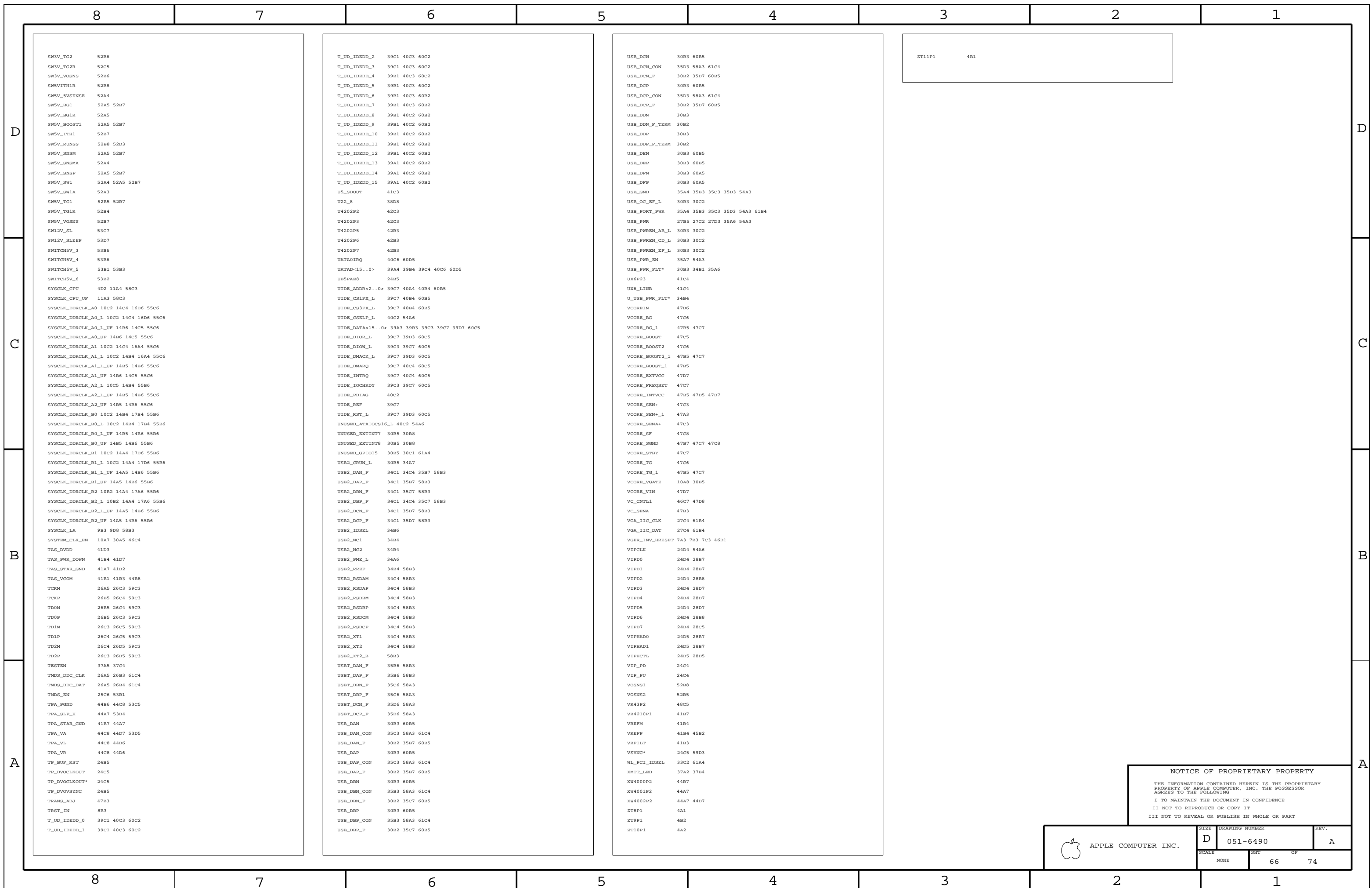
NC_TX1_3 37C2
 NC_TX1_4 37C2
 NC_UB3P4 37D5
 NC_USB2_AMC 34A4
 NC_USB2_NANDTEST 34A4
 NC_USB2_NTEST1 34A4
 NC_USB2_PFN01 34B4
 NC_USB2_PFN02 34B4
 NC_USB2_PFN03 34B4
 NC_USB2_PFN04 34B4
 NC_USB2_PFN05 34B4
 NC_USB2_RSDEM 34C4
 NC_USB2_RSDEP 34C4
 NC_USB2_RSDFM 34C4
 NC_USB2_RSDFP 34B4
 NC_USB2_SMC 34A4
 NC_USB2_SMI_L 34A6
 NC_USB2_SRCCLK 34A4
 NC_USB2_SRDTA 34A4
 NC_USB2_SRMOD 34A4
 NC_USB2_TEB 34A4
 NC_USB2_TEST 34A4
 NC_USB_M 33B2
 NC_USB_P 33B2
 NC_UT6P6 30D8
 NC_UT6P7 30D8
 NC_UT164 46D7
 NC_UT165 46D7
 NC_VCORE10 47D6
 NC_VIPHCLK 24D5
 NC_VTT<11..0> 20F7 20G7
 NC_WL<23..1> 33B2 33B3
 NC_XTALSOUT 24B4
 NC_XTLINO 41B4
 NEC_AVDD 34D5 54A3
 NEC_XT2_B 34D3
 NET16 48A5
 NET18 46D6
 NET19 46D6
 NET22 46D8
 NET24 46D8
 NET32 44B1
 NET32_B 44B1
 NET40 46B4
 NMI_BUTTON* 31B2 46C4 61D4
 NV11_HSYNC 24C4 28D3
 NV11_VSYNC 24C4 28D3
 NV11_XTALIN 24B4 59D3
 NV11_XTALOUT 24B4 59D3
 NVAGP_TCLK 19A5
 NVAGP_TRST_L 19A5
 NVPLLVD 24D5 54A6
 NV_BLUE2 24C1
 NV_GPIOD0 25D4
 NV_GPIOD2 25D4
 NV_GPIOD4 25D4
 NV_GPIOD5 25D4
 NV_GPIOD6 25C4
 NV_GPIOD7 25C4
 NV_GPIOD8 25C4
 NV_GPIOD9 25C4
 NV_GREEN2 24C1
 NV_RED2 24C1
 OGAL 43D7
 OGAR 43C7
 OGDND3_JTAG_EN 37A5
 OPA_STAR_GND 41A7 41D6 42C2 45B3
 OPA_VREF 42B3 45B4
 OUTM1 44B6
 OUTM1PILT 44B4
 OUTM2 44B6
 OUTM2PILT 44A4
 OUTP1 44B6
 OUTP1PILT 44B4
 OUTP2 44B6
 OUTP2PILT 44B4
 OUT_R 61B4
 OVDD_ADJ 61C7
 P1RC 44B4
 P2RC 44B4
 PAT_M 44B8

PB_AUD 43B4
 PB_GAL 43B4
 PCIT_AD<31..0> 33B2 33B3 33B6 33B7 33C2 33C3 33C6
 33C7 56C7 61B2 61C2
 PCIT_CBE<31..0> 33B2 33B6 33C3 56C7 61A4
 PCIT_DEVSEL_L 33B6 33C2 56C7
 PCIT_FRAME_L 33B6 33C2 56C7
 PCIT_IRDY_L 33B6 33C3 56C7 61B4
 PCIT_PAR 33B6 33C2 56C7
 PCIT_STOP_L 33B6 33C2 56C7
 PCIT_TRDY_L 33B6 33C2 56C7
 PCI_AD<31..0> 32B1 32B2 32C4 32D4 33B6 33B7 33C6
 33C7 34B6 34B7 34C6 55A6 61B2 61C2
 PCI_CBE<3..0> 32C5 33B7 34B6 55A6 61A4
 PCI_DEVSEL_L 32A8 32C5 33B7 34B6 56D7 61A4
 PCI_FBI_EQUAL 32C7 56C7
 PCI_FBI_PLUS2 32C7 56C7
 PCI_FBI_PLUS2 32C7 56D7
 PCI_FB_PLUS4 32C8 56C7
 PCI_FB_PLUS6 32C7 56C7
 PCI_FRAME_L 32B8 32C5 33B7 34B6 55A6 61A4
 PCI_IRDY_L 32B8 32C5 33B7 34B6 56D7
 PCI_PAR 32C5 33B7 34B6 56D7 61A4
 PCI_SLOTB_GNT_L 32A6 32D5 33C2 61A4
 PCI_SLOTB_REQ_L 32A8 32D5 33C3 61A4
 PCI_SLOTC_GNT_L 32A6 32D5
 PCI_SLOTC_REQ_L 32A8 32D5
 PCI_SLOTD_GNT_L 32A6 32C5 34B6
 PCI_SLOTD_FERR_L 34B6
 PCI_SLOTD_REQ_L 32A8 32D5 34B6
 PCI_STOP_L 32A8 32C5 33B7 34B6 56D7 61A4
 PCI_TRDY_L 32B8 32C5 33B7 34B6 56D7 61A4
 PCK2059_VDDI2C 10D4 54D6
 PGOOD 51B7 52A6
 PG_E 47B6
 PMURESETBUTTON* 46A4 61D4
 PMU_5V_SCL 46C2 46C4
 PMU_5V_SDA 46C2 46C4
 PMU_ACK_L 30C3 46C4
 PMU_AGP_RESET 46C4
 PMU_AP 31B3 46D4
 PMU_AVCC 46B5 46D4 54B3 61C4
 PMU_BYTE 46B5
 PMU_CLK 30C3 46C4
 PMU_CLKIN 46B4 60A5
 PMU_CLKOUT 46B4 60A5
 PMU_CLKT 46B2 60A5
 PMU_CNVSS 31B3 46B5
 PMU_EPM* 31B3 46C4
 PMU_FROM_INT 30C3 46C4
 PMU_IIC_CLK 46A8 46B4
 PMU_IIC_DAT 46A8 46B4
 PMU_INT_L 30B5 30B8 46B5
 PMU_INT_NMI 30A8 30B5 46C4
 PMU_LOW_DSKEP 46B5
 PMU_NMI 46B4
 PMU_P64 31B2 46C2
 PMU_PME_L 30B5 33C2 34A7 46B2 61A4
 PMU_PME_LL 33C2
 PMU_POWER 31C3 46A5 46B1 46C2 46D5 54B3
 PMU_PRE_PLLSTOP 46B5
 PMU_PWR_LED* 46C5
 PMU_REQ_L 30A8 30C3 46C2
 PMU_RST* 9A8 31B3 46A5 46B5 61D4
 PMU_SMB_SCK 46A3
 PMU_SMB_SDA 46A3
 PMU_STRAP1 46C5
 PMU_TO_INT 30C3 46C4
 PMU_XI 46B5 60A5
 PMU_XO 46B5 60A5
 PMU_XT 46A6 60A5
 POWERUP_OK 46B4
 POWER_UP* 46C7 53A8 61D4
 PRE_HRESET_L 8B4 8D5
 PROBE_DIV 43B4 43D7
 PSEUDO_STAR_GND 41B7 42B4
 PWR_FAIL* 46B1 52D6
 PWR_FAILPMU* 46B4
 PWR_FAIL_T 52D7
 PWR_LED 53A4
 PWR_SWITCH* 9A8 46B1 46C5 61D4

FWR_UP 41C8 52C4 52C8 53B7 53C1 53C7 61D4
 FWR_UP* 52C8
 Q1P1 53C3
 Q1P3 53C2
 Q25_1 43A5
 Q42P4 53D2
 QT1P1 50B4
 QT2P1 50B4
 QT3P1 50B4
 R264P2 41B4
 RAM_ADDR<12..0> 14A3 14B3 14C1 14C3 14D1 14D3 16B4
 16B6 17B4 17B6 17C4 17C6 55D6
 RAM_BA<1..0> 14B3 16B4 16B6 17B6 55D6
 RAM_CAS_L 14A3 16B4 17B6 55C6
 RAM_CKE<3..0> 14A1 14B1 14C1 16B4 16B6 17C4 17C6
 55C6
 RAM_CS_L<3..0> 14A1 14B1 14C1 16B4 16B6 17B4 55C6
 RAM_DATA_A<63..0> 15B2 15B6 15C2 15C4 15C7 15D4
 15D7 16A4 16A6 16A8 16B4 16B6 16C4 16C6
 16D4 16D6 55D6
 RAM_DATA_B<63..0> 15A2 15A6 15B2 15B4 15B7 15C4
 15C7 17A4 17A6 17B4 17B6 17C4 17C6
 17D4 17D6 55D6
 RAM_DQM_A<7..0> 15A6 15B2 15B6 15C4 15C7 15D4 15D7
 16A4 16B4 16C4 16D4 55D6
 RAM_DQM_B<7..0> 15A2 15A6 15B2 15B4 15B7 15C4 15C7
 17A4 17B4 17C4 17D4 55D6
 RAM_DQS_A<7..0> 15B2 15B6 15C4 15C7 15D4 15D7 16A6
 16B6 16C6 16D6 55D6
 RAM_DQS_B<7..0> 15A2 15A6 15B2 15B4 15B7 15C4 15C7
 17A6 17B6 17C6 17D6 55D6
 RAM_RAS_L 14A3 16B4 17B4 55C6
 RAM_SA0 17A4
 RAM_WE_L 14A3 16B6 17B6 55C6
 RB22P2 50B2
 RB27-1 50B6
 RB37P1 50C6
 RB160P1 52A5
 RB213P2 51C3
 RB227P1 51C5
 REF_STAR_GND 41A5 41A7
 RESET_BUTTON* 31B2 46C4 61D4
 RFBA<11..0> 20E2 20F2 22C2 22C6 22D2 22D6 57D3
 RFBABA<1..0> 20E2 22C2 22C6 57D3
 RFBACAS_L 20G2 22B2 22B6 57D3
 RFBACKE 20D2 22C2 22C6 57C3
 RFBACLK0 21C1 22C6 57C3
 RFBACLK0_L 21C1 22C6 57C3
 RFBACLK1 21D1 22C2 57C3
 RFBACLK1_L 21D1 22C2 57C3
 RFBACSO_L 20F2 22B2 22B6 57C3
 RFBARAS_L 20G2 22B2 22B6 57D3
 RFBARAS_L 20F2 22B2 22B6 57D3
 RFBBA<11..0> 20B2 20C2 23C2 23C6 23D2 23D6 57C3
 RFBBA<1..0> 20A2 23C2 23C6 57C3
 RFBBCAS_L 20C2 23B2 23B6 57B3
 RFBBCKE 20A2 23C2 23C6 57B3
 RFBCLK0 21B1 23C6 57B3
 RFBCLK0_L 21B1 23C6 57B3
 RFBCLK1 21C1 23C2 57B3
 RFBCLK1_L 21B1 23C2 57B3
 RFBBCSO_L 20C2 23B2 23B6 57B3
 RFBRRAS_L 20C2 23B2 23B6 57B3
 RFBWWE_L 20C2 23B2 23B6 57B3
 RFBW<127..0> 21B4 21B7 21C4 21C7 21D4 21D7 22B1
 22B5 22C1 22C5 23B1 23B5 23C1 23C5
 57C3 57D3
 RFBWQM<15..0> 20C2 20D2 20G2 22C2 22C6 23C2 23C6
 57C3 57D3
 RFBWQS<15..0> 21A3 21A6 22C2 22C6 23C2 23C6 57B3
 57C3
 RF_CLKRUN_L 33C3 61B4
 RF_DISABLE_L 33C3
 RINA 41C4 42B2
 RINT_PU_RESET_L 36C5
 RINT_RESET_L 36C5
 RJ45_4_5 37C1 59B3
 RJ45_7_8 37C1 59B3
 RJ45_F_TREF 37B2 59B3
 RJ45_RREF 37C2 59B3
 RJ45_RXN 37C1 37C2 59B3

RJ45_RXP 37C1 37C2 59B3
 RJ45_TREF 37C2 59B3
 RJ45_TXN 37C1 37C2 59B3
 RJ45_TXP 37C1 37C2 59B3
 ROMA14 20C8 28D8
 ROMA15 20C8 28D8
 ROM_CS_L 32B4 32B6 33B4 61C7
 ROM_OE_L 32B2 32B6 33B2 61C7
 ROM_ONBOARD_CS_L 32B2 33B4 61D4
 ROM_RW_L 32B2 32B6 33B4 61B7
 ROM_WP_L 32A2 61A7
 RSPKRCAP 44C8
 RSPKRIN1 44B6
 RSPKRVP1 44B6
 RT78P2 37C4
 RT373P1 53A5
 RT401P1 49C5
 RT406P2 49B3
 RT418P2 52C7
 RUNLED1 53A5
 RUNSS 52D4
 S3700P1 46A1
 S3700P2 46A1
 SB1P1 46A3
 SENSE+ 47C6
 SENSE+_1 47B5 47C7
 SENSE- 47C6 47C8
 SENSE-_1 47B5 47C7
 SGRAVREF 22A3 22C4 22C8 54A6
 SGRBVREF 23A3 23C4 23C8 54A6
 SHS 52C8
 SLEEP 46B5 52C4 61C4
 SLEEP1 53A8
 SLEEP2 53A7
 SLEEPA_OFF_L 53C5
 SLEEPLED_TERM 53A6
 SLEEP_LED_BD 53A6
 SLEEP_OFF_L 53B6 53C7
 SLEEP_OFF_L2 41C7
 SND_AMP_MUTE_L 30C5 44A8
 SND_AMP_M_L 44A7 44B8
 SND_CLKOUT 30A2 41B4
 SND_HP_MUTE_L 30C5 43A7
 SND_HP_M_L 43A7
 SND_HP_SENSE 30B5 43A5 61B7
 SND_HP_SENSE_CONN 43A3 43B2
 SND_HW_RESET_L 30A8 30B5 41B4
 SND_LIN_SENSE 30B5 42D4 61B4
 SND_SCLK 30A2 41B1
 SND_SPKR_ID 30B5 44C5
 SND_SYNC 30B2 41C1
 SND_TO_AUDIO 30B2 41C4
 SNF_FSEL 10A7 30C5
 SPDA 44C3
 SPKR_JACK_DALLAS 44B1
 SPKR_L+ 44B1
 SPKR_L- 44B1
 SPKR_MUTE_T 44B6 44B7
 SPKR_R+ 44B1
 SPKR_R- 44B1
 SSCG_LOCK 10A7
 STBYMD 52B7
 STOP_AGP_L 18C6 18D3 19A8 56B7
 SUPER_FLO 47C7
 SW3V5V_12VIN 52C7
 SW3V5V_INTVCC 52B5 52C6
 SW3V5V_SGND 52A7 52A8 52B7 52B8 52C7
 SW3V5V_VIN 52C6
 SW3VITH2R 52A8
 SW3V_3VSENSE 52B4
 SW3V_BQ2 52B6
 SW3V_BQ2R 52B5
 SW3V_BOOST2 52B6
 SW3V_BOOST2R 52C5
 SW3V_ITH2 52A7 52B6
 SW3V_RUNSS 52B6 52C3
 SW3V_RUNSSR 52C3
 SW3V_SNSM 52B6
 SW3V_SNSP 52B6
 SW3V_SW2 52B6 52C4
 SW3V_SW2A 52C3

NOTICE OF PROPRIETARY PROPERTY
 THE INFORMATION CONTAINED HEREIN IS THE PROPRIETARY PROPERTY OF APPLE COMPUTER, INC. THE POSSESSOR AGREES TO THE FOLLOWING
 I TO MAINTAIN THE DOCUMENT IN CONFIDENCE
 II NOT TO REPRODUCE OR COPY IT
 III NOT TO REVEAL OR PUBLISH IN WHOLE OR PART



SW3V_TG2	52B6
SW3V_TG2R	52C5
SW3V_VOSNS	52B6
SW5VITH1R	52B8
SW5V_SVSENSE	52A4
SW5V_BG1	52A5 52B7
SW5V_BG1R	52A5
SW5V_BOOST1	52A5 52B7
SW5V_I1H1	52B7
SW5V_RUNSS	52B8 52D3
SW5V_SNSM	52A5 52B7
SW5V_SNSMA	52A4
SW5V_SNSP	52A5 52B7
SW5V_SW1	52A4 52A5 52B7
SW5V_SW1A	52A3
SW5V_TG1	52B5 52B7
SW5V_TG1R	52B4
SW5V_VOSNS	52B7
SW12V_SL	53C7
SW12V_SLEEP	53D7
SWITCHSV_3	53B6
SWITCHSV_4	53B6
SWITCHSV_5	53B1 53B3
SWITCHSV_6	53B2
SYSCLK_CFU	4D2 11A4 58C3
SYSCLK_CFU_UP	11A3 58C3
SYSCLK_DDRCLK_A0	10C2 14C4 16D6 55C6
SYSCLK_DDRCLK_A0_L	10C2 14C4 16D6 55C6
SYSCLK_DDRCLK_A0_L_UP	14B6 14C5 55C6
SYSCLK_DDRCLK_A0_UP	14B6 14C5 55C6
SYSCLK_DDRCLK_A1	10C2 14C4 16A4 55C6
SYSCLK_DDRCLK_A1_L	10C2 14B4 16A4 55C6
SYSCLK_DDRCLK_A1_L_UP	14B5 14B6 55C6
SYSCLK_DDRCLK_A1_UP	14B6 14C5 55C6
SYSCLK_DDRCLK_A2_L	10C5 14B4 55B6
SYSCLK_DDRCLK_A2_L_UP	14B5 14B6 55C6
SYSCLK_DDRCLK_A2_UP	14B5 14B6 55C6
SYSCLK_DDRCLK_B0	10C2 14B4 17B4 55B6
SYSCLK_DDRCLK_B0_L	10C2 14B4 17B4 55B6
SYSCLK_DDRCLK_B0_L_UP	14B5 14B6 55B6
SYSCLK_DDRCLK_B0_UP	14B5 14B6 55B6
SYSCLK_DDRCLK_B1	10C2 14A4 17D6 55B6
SYSCLK_DDRCLK_B1_L	10C2 14A4 17D6 55B6
SYSCLK_DDRCLK_B1_L_UP	14A5 14B6 55B6
SYSCLK_DDRCLK_B1_UP	14A5 14B6 55B6
SYSCLK_DDRCLK_B2	10B2 14A4 17A6 55B6
SYSCLK_DDRCLK_B2_L	10B2 14A4 17A6 55B6
SYSCLK_DDRCLK_B2_L_UP	14A5 14B6 55B6
SYSCLK_DDRCLK_B2_UP	14A5 14B6 55B6
SYSCLK_LA	9B3 9D8 58B3
SYSTEM_CLK_EN	10A7 30A5 46C4
TAS_DVDD	41D3
TAS_PWR_DOWN	41B4 41D7
TAS_STAR_GND	41A7 41D2
TAS_VCOM	41B1 41B3 44B8
TCKM	26A5 26C3 59C3
TCKP	26B5 26C4 59C3
TD0M	26B5 26C4 59C3
TD0P	26B5 26C3 59C3
TD1M	26C3 26C5 59C3
TD1P	26C4 26C5 59C3
TD2M	26C4 26D5 59C3
TD2P	26C3 26D5 59C3
TESTEN	37A5 37C4
TMDS_DDC_CLK	26A5 26B3 61C4
TMDS_DDC_DAT	26A5 26B4 61C4
TMDS_EN	25C6 53B1
TPA_PGND	44B6 44C8 53C5
TPA_SLP_H	44A7 53D4
TPA_STAR_GND	41B7 44A7
TPA_VA	44C8 44D7 53D5
TPA_VL	44C8 44D6
TPA_VR	44C8 44D6
TP_BUF_RST	24B5
TP_DVOCLOCKOUT	24C5
TP_DVOCLOCKOUT*	24C5
TP_DVOVSIN	24B5
TRANS_ADJ	47B3
TRST_IN	8B3
T_UD_IDEDD_0	39C1 40C3 60C2
T_UD_IDEDD_1	39C1 40C3 60C2

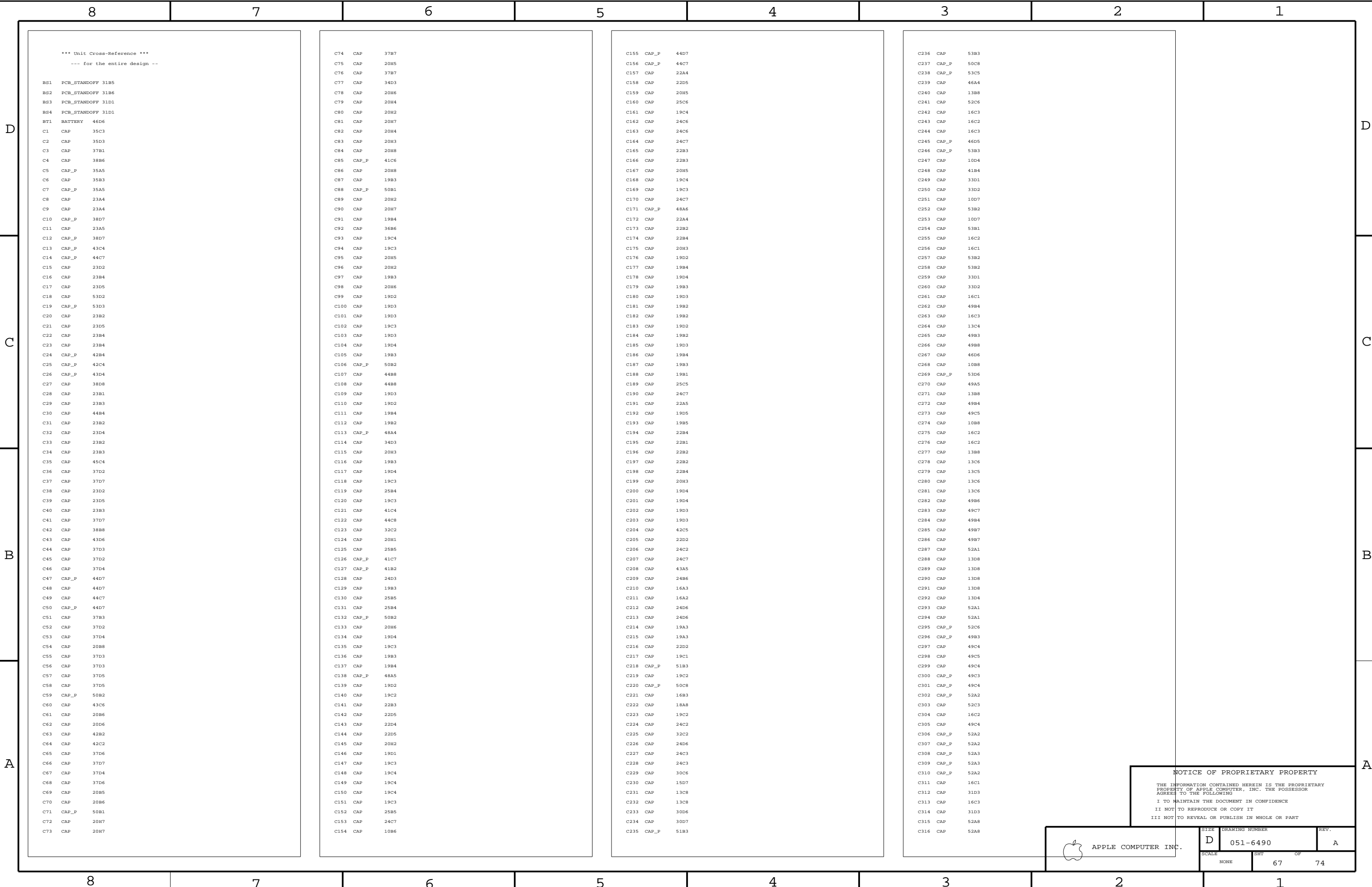
T_UD_IDEDD_2	39C1 40C3 60C2
T_UD_IDEDD_3	39C1 40C3 60C2
T_UD_IDEDD_4	39B1 40C3 60C2
T_UD_IDEDD_5	39B1 40C3 60C2
T_UD_IDEDD_6	39B1 40C3 60B2
T_UD_IDEDD_7	39B1 40C3 60B2
T_UD_IDEDD_8	39B1 40C2 60B2
T_UD_IDEDD_9	39B1 40C2 60B2
T_UD_IDEDD_10	39B1 40C2 60B2
T_UD_IDEDD_11	39B1 40C2 60B2
T_UD_IDEDD_12	39B1 40C2 60B2
T_UD_IDEDD_13	39A1 40C2 60B2
T_UD_IDEDD_14	39A1 40C2 60B2
T_UD_IDEDD_15	39A1 40C2 60B2
U5_SDOOUT	41C3
U22_8	38D8
U4202P2	42C3
U4202P3	42C3
U4202P5	42B3
U4202P6	42B3
U4202P7	42B3
UATA0IRQ	40C6 60D5
UATAD<15..0>	39A4 39B4 39C4 40C6 60D5
UB5PAR8	24B5
UIDE_ADDR<2..0>	39C7 40A4 40B4 60B5
UIDE_CS1FX_L	39C7 40B4 60B5
UIDE_CS3FX_L	39C7 40B4 60B5
UIDE_CSLP_L	40C2 54A6
UIDE_DATA<15..0>	39A3 39B3 39C3 39C7 39D7 60C5
UIDE_DIOR_L	39C7 39D3 60C5
UIDE_DIOW_L	39C3 39C7 60C5
UIDE_DMACK_L	39C7 39D3 60C5
UIDE_DMARQ	39C7 40C4 60C5
UIDE_INTRQ	39C7 40C4 60C5
UIDE_IOCHRDY	39C3 39C7 60C5
UIDE_PDIAG	40C2
UIDE_REF	39C7
UIDE_RST_L	39C7 39D3 60C5
UNUSED_ATAIOCS16_L	40C2 54A6
UNUSED_EXTINT7	30B5 30B8
UNUSED_EXTINT8	30B5 30B8
UNUSED_GPI015	30B5 30C1 61A4
USB2_CRUN_L	30B5 34A7
USB2_DAN_F	34C1 34C4 35B7 58B3
USB2_DAP_F	34C1 35B7 58B3
USB2_DBN_F	34C1 35C7 58B3
USB2_DBP_F	34C1 34C4 35C7 58B3
USB2_DCN_F	34C1 35D7 58B3
USB2_DCP_F	34C1 35D7 58B3
USB2_IDSEL	34B6
USB2_NC1	34B4
USB2_NC2	34B4
USB2_PME_L	34A6
USB2_RREF	34B4 58B3
USB2_RSDAM	34C4 58B3
USB2_RSAP	34C4 58B3
USB2_RSDBM	34C4 58B3
USB2_RSDBP	34C4 58B3
USB2_RSDCM	34C4 58B3
USB2_RSDCP	34C4 58B3
USB2_XT1	34C4 58B3
USB2_XT2	34C4 58B3
USB2_XT2_B	58B3
USBT_DAN_F	35B6 58B3
USBT_DAP_F	35B6 58B3
USBT_DBN_F	35C6 58A3
USBT_DBP_F	35C6 58A3
USBT_DCN_F	35D6 58A3
USBT_DCP_F	35D6 58A3
USB_DAN	30B3 60B5
USB_DAN_CON	35C3 58A3 61C4
USB_DAN_F	30B2 35B7 60B5
USB_DAP	30B3 60B5
USB_DAP_CON	35C3 58A3 61C4
USB_DAP_F	30B2 35B7 60B5
USB_DBN	30B3 60B5
USB_DBN_CON	35B3 58A3 61C4
USB_DBN_F	30B2 35C7 60B5
USB_DBP	30B3 60B5
USB_DBP_CON	35B3 58A3 61C4
USB_DBP_F	30B2 35C7 60B5

USB_DCN	30B3 60B5
USB_DCN_CON	35D3 58A3 61C4
USB_DCN_F	30B2 35D7 60B5
USB_DCP	30B3 60B5
USB_DCP_CON	35D3 58A3 61C4
USB_DCP_F	30B2 35D7 60B5
USB_DDN	30B3
USB_DDN_F_TERM	30B2
USB_DDP	30B3
USB_DDP_F_TERM	30B2
USB_DRN	30B3 60B5
USB_DEP	30B3 60B5
USB_DFN	30B3 60A5
USB_DFP	30B3 60A5
USB_GND	35A4 35B3 35C3 35D3 54A3
USB_OC_EF_L	30B3 30C2
USB_PORT_PWR	35A4 35B3 35C3 35D3 54A3 61B4
USB_PWR	27B5 27C2 27D3 35A6 54A3
USB_PWREN_AR_L	30B3 30C2
USB_PWREN_CD_L	30B3 30C2
USB_PWREN_EF_L	30B3 30C2
USB_PWR_EN	35A7 54A3
USB_PWR_FLT*	30B3 34B1 35A6
UX6P23	41C4
UX6_LINB	41C4
U_USB_PWR_FLT*	34B4
VCOREIN	47D6
VCORE_BG	47C6
VCORE_BG_1	47B5 47C7
VCORE_BOOST	47C5
VCORE_BOOST2	47C6
VCORE_BOOST2_1	47B5 47C7
VCORE_BOOST_1	47B5
VCORE_EXTVCC	47D7
VCORE_FREQSET	47C7
VCORE_INTVCC	47B5 47D5 47D7
VCORE_SEN+	47C3
VCORE_SEN+_1	47A3
VCORE_SENA+	47C3
VCORE_SF	47C8
VCORE_SGND	47B7 47C7 47C8
VCORE_STBY	47C7
VCORE_TG	47C6
VCORE_TG_1	47B5 47C7
VCORE_VGATE	10A8 30B5
VCORE_VIN	47D7
VC_CNTL1	46C7 47D8
VC_SENA	47B3
VGA_IIC_CLK	27C4 61B4
VGA_IIC_DAT	27C4 61B4
VGER_INV_HRESET	7A3 7B3 7C3 46D1
VIPCLK	24D4 54A6
VIPD0	24D4 28B7
VIPD1	24D4 28B7
VIPD2	24D4 28B8
VIPD3	24D4 28D7
VIPD4	24D4 28D7
VIPD5	24D4 28D7
VIPD6	24D4 28B8
VIPD7	24D4 28C5
VIPHAD0	24D5 28B7
VIPHAD1	24D5 28B7
VIPHCTL	24D5 28D5
VIP_PD	24C4
VIP_PU	24C4
VOSNS1	52B8
VOGNS2	52B5
VR43P2	48C5
VR4210P1	41B7
VREFM	41B4
VREFP	41B4 45B2
VRFILT	41B3
VSINCS*	24C5 59D3
WL_PCI_IDSEL	33C2 61A4
XMIT_LED	37A2 37B4
XW4000P2	44B7
XW4001P2	44A7
XW4002P2	44A7 44D7
ZT8P1	4A1
ZT9P1	4B2
ZT10P1	4A2

ZT11P1 4B1

NOTICE OF PROPRIETARY PROPERTY
 THE INFORMATION CONTAINED HEREIN IS THE PROPRIETARY PROPERTY OF APPLE COMPUTER, INC. THE POSSESSOR AGREES TO THE FOLLOWING:
 I TO MAINTAIN THE DOCUMENT IN CONFIDENCE
 II NOT TO REPRODUCE OR COPY IT
 III NOT TO REVEAL OR PUBLISH IN WHOLE OR PART

APPLE COMPUTER INC.	SIZE	DRAWING NUMBER	REV.
	D	051-6490	A
SCALE	NONE	SHT	OF
		66	74



*** Unit Cross-Reference ***
 --- for the entire design ---

BS1 PCB_STANDOFF 31B5
 BS2 PCB_STANDOFF 31B6
 BS3 PCB_STANDOFF 31D1
 BS4 PCB_STANDOFF 31D1
 BT1 BATTERY 46D6
 C1 CAP 35C3
 C2 CAP 35D3
 C3 CAP 37B1
 C4 CAP 38B6
 C5 CAP_P 35A5
 C6 CAP 35B3
 C7 CAP_P 35A5
 C8 CAP 23A4
 C9 CAP 23A4
 C10 CAP_P 38D7
 C11 CAP 23A5
 C12 CAP_P 38D7
 C13 CAP_P 43C4
 C14 CAP_P 44C7
 C15 CAP 23D2
 C16 CAP 23B4
 C17 CAP 23D5
 C18 CAP 53D2
 C19 CAP_P 53D3
 C20 CAP 23B2
 C21 CAP 23D5
 C22 CAP 23B4
 C23 CAP 23B4
 C24 CAP_P 42B4
 C25 CAP_P 42C4
 C26 CAP_P 43D4
 C27 CAP 38D8
 C28 CAP 23B1
 C29 CAP 23B3
 C30 CAP 44B4
 C31 CAP 23B2
 C32 CAP 23D4
 C33 CAP 23B2
 C34 CAP 23B3
 C35 CAP 45C4
 C36 CAP 37D2
 C37 CAP 37D7
 C38 CAP 23D2
 C39 CAP 23D5
 C40 CAP 23B3
 C41 CAP 37D7
 C42 CAP 38B8
 C43 CAP 43D6
 C44 CAP 37D3
 C45 CAP 37D2
 C46 CAP 37D4
 C47 CAP_P 44D7
 C48 CAP 44D7
 C49 CAP 44C7
 C50 CAP_P 44D7
 C51 CAP 37B3
 C52 CAP 37D2
 C53 CAP 37D4
 C54 CAP 20B8
 C55 CAP 37D3
 C56 CAP 37D3
 C57 CAP 37D5
 C58 CAP 37D5
 C59 CAP_P 50B2
 C60 CAP 43C6
 C61 CAP 20B6
 C62 CAP 20D6
 C63 CAP 42B2
 C64 CAP 42C2
 C65 CAP 37D6
 C66 CAP 37D7
 C67 CAP 37D4
 C68 CAP 37D6
 C69 CAP 20B5
 C70 CAP 20B6
 C71 CAP_P 50B1
 C72 CAP 20H7
 C73 CAP 20H7

C74 CAP 37B7
 C75 CAP 20H5
 C76 CAP 37B7
 C77 CAP 34D3
 C78 CAP 20H6
 C79 CAP 20H4
 C80 CAP 20H2
 C81 CAP 20H7
 C82 CAP 20H4
 C83 CAP 20H3
 C84 CAP 20H8
 C85 CAP_P 41C6
 C86 CAP 20H8
 C87 CAP 19B3
 C88 CAP_P 50B1
 C89 CAP 20H2
 C90 CAP 20H7
 C91 CAP 19B4
 C92 CAP 36B6
 C93 CAP 19C4
 C94 CAP 19C3
 C95 CAP 20H5
 C96 CAP 20H2
 C97 CAP 19B3
 C98 CAP 20H6
 C99 CAP 19D2
 C100 CAP 19D3
 C101 CAP 19D3
 C102 CAP 19C3
 C103 CAP 19D3
 C104 CAP 19D4
 C105 CAP 19B3
 C106 CAP_P 50B2
 C107 CAP 44B8
 C108 CAP 44B8
 C109 CAP 19D3
 C110 CAP 19D2
 C111 CAP 19B4
 C112 CAP 19B2
 C113 CAP_P 48A4
 C114 CAP 34D3
 C115 CAP 20H3
 C116 CAP 19B3
 C117 CAP 19D4
 C118 CAP 19C3
 C119 CAP 25B4
 C120 CAP 19C3
 C121 CAP 41C4
 C122 CAP 44C8
 C123 CAP 32C2
 C124 CAP 20H1
 C125 CAP 25B5
 C126 CAP_P 41C7
 C127 CAP_P 41B2
 C128 CAP 24D3
 C129 CAP 19B3
 C130 CAP 25B5
 C131 CAP 25B4
 C132 CAP_P 50B2
 C133 CAP 20H6
 C134 CAP 19D4
 C135 CAP 19C3
 C136 CAP 19B3
 C137 CAP 19B4
 C138 CAP_P 48A5
 C139 CAP 19D2
 C140 CAP 19C2
 C141 CAP 22B3
 C142 CAP 22D5
 C143 CAP 22D4
 C144 CAP 22D5
 C145 CAP 20H2
 C146 CAP 19D1
 C147 CAP 19C3
 C148 CAP 19C4
 C149 CAP 19C4
 C150 CAP 19C4
 C151 CAP 19C3
 C152 CAP 25B5
 C153 CAP 24C7
 C154 CAP 10B6

C155 CAP_P 44D7
 C156 CAP_P 44C7
 C157 CAP 22A4
 C158 CAP 22D5
 C159 CAP 20H5
 C160 CAP 25C6
 C161 CAP 19C4
 C162 CAP 24C6
 C163 CAP 24C6
 C164 CAP 24C7
 C165 CAP 22B3
 C166 CAP 22B3
 C167 CAP 20H5
 C168 CAP 19C4
 C169 CAP 19C3
 C170 CAP 24C7
 C171 CAP_P 48A6
 C172 CAP 22A4
 C173 CAP 22B2
 C174 CAP 22B4
 C175 CAP 20H3
 C176 CAP 19D2
 C177 CAP 19B4
 C178 CAP 19D4
 C179 CAP 19B3
 C180 CAP 19D3
 C181 CAP 19B2
 C182 CAP 19B2
 C183 CAP 19D2
 C184 CAP 19B2
 C185 CAP 19D3
 C186 CAP 19B4
 C187 CAP 19B3
 C188 CAP 19B1
 C189 CAP 25C5
 C190 CAP 24C7
 C191 CAP 22A5
 C192 CAP 19D5
 C193 CAP 19B5
 C194 CAP 22B4
 C195 CAP 22B1
 C196 CAP 22B2
 C197 CAP 22B2
 C198 CAP 22B4
 C199 CAP 20H3
 C200 CAP 19D4
 C201 CAP 19D4
 C202 CAP 19D3
 C203 CAP 19D3
 C204 CAP 42C5
 C205 CAP 22D2
 C206 CAP 24C2
 C207 CAP 24C7
 C208 CAP 43A5
 C209 CAP 24B6
 C210 CAP 16A3
 C211 CAP 16A2
 C212 CAP 24D6
 C213 CAP 24D6
 C214 CAP 19A3
 C215 CAP 19A3
 C216 CAP 22D2
 C217 CAP 19C1
 C218 CAP_P 51B3
 C219 CAP 19C2
 C220 CAP_P 50C8
 C221 CAP 16B3
 C222 CAP 18A8
 C223 CAP 19C2
 C224 CAP 24C2
 C225 CAP 32C2
 C226 CAP 24D6
 C227 CAP 24C3
 C228 CAP 24C3
 C229 CAP 30C6
 C230 CAP 15D7
 C231 CAP 13C8
 C232 CAP 13C8
 C233 CAP 30D6
 C234 CAP 30D7
 C235 CAP_P 51B3

C236 CAP 53B3
 C237 CAP_P 50C8
 C238 CAP_P 53C5
 C239 CAP 46A4
 C240 CAP 13B8
 C241 CAP 52C6
 C242 CAP 16C3
 C243 CAP 16C2
 C244 CAP 16C3
 C245 CAP_P 46D5
 C246 CAP_P 53B3
 C247 CAP 10D4
 C248 CAP 41B4
 C249 CAP 33D1
 C250 CAP 33D2
 C251 CAP 10D7
 C252 CAP 53B2
 C253 CAP 10D7
 C254 CAP 53B1
 C255 CAP 16C2
 C256 CAP 16C1
 C257 CAP 53B2
 C258 CAP 53B2
 C259 CAP 33D1
 C260 CAP 33D2
 C261 CAP 16C1
 C262 CAP 49B4
 C263 CAP 16C3
 C264 CAP 13C4
 C265 CAP 49B3
 C266 CAP 49B8
 C267 CAP 46D6
 C268 CAP 10B8
 C269 CAP_P 53D6
 C270 CAP 49A5
 C271 CAP 13B8
 C272 CAP 49B4
 C273 CAP 49C5
 C274 CAP 10B8
 C275 CAP 16C2
 C276 CAP 16C2
 C277 CAP 13B8
 C278 CAP 13C6
 C279 CAP 13C5
 C280 CAP 13C6
 C281 CAP 13C6
 C282 CAP 49B6
 C283 CAP 49C7
 C284 CAP 49B4
 C285 CAP 49B7
 C286 CAP 49B7
 C287 CAP 52A1
 C288 CAP 13D8
 C289 CAP 13D8
 C290 CAP 13D8
 C291 CAP 13D8
 C292 CAP 13D4
 C293 CAP 52A1
 C294 CAP 52A1
 C295 CAP_P 52C6
 C296 CAP_P 49B3
 C297 CAP 49C4
 C298 CAP 49C5
 C299 CAP 49C4
 C300 CAP_P 49C3
 C301 CAP_P 49C4
 C302 CAP_P 52A2
 C303 CAP 52C3
 C304 CAP 16C2
 C305 CAP 49C4
 C306 CAP_P 52A2
 C307 CAP_P 52A2
 C308 CAP_P 52A3
 C309 CAP_P 52A3
 C310 CAP_P 52A2
 C311 CAP 16C1
 C312 CAP 31D3
 C313 CAP 16C3
 C314 CAP 31D3
 C315 CAP 52A8
 C316 CAP 52A8

NOTICE OF PROPRIETARY PROPERTY
 THE INFORMATION CONTAINED HEREIN IS THE PROPRIETARY PROPERTY OF APPLE COMPUTER, INC. THE POSSESSOR AGREES TO THE FOLLOWING
 I TO MAINTAIN THE DOCUMENT IN CONFIDENCE
 II NOT TO REPRODUCE OR COPY IT
 III NOT TO REVEAL OR PUBLISH IN WHOLE OR PART

APPLE COMPUTER INC.	SIZE D	DRAWING NUMBER 051-6490	REV. A
	SCALE NONE	SHIT 67	OF 74

	8	7	6	5	4	3	2	1
D	C317 CAP 52B8	C399 CAP 38A7	C480 CAP_P 42B4	C561 CAP 44B6				
	C318 CAP 52B8	C400 CAP 37C1	C481 CAP 38B3	C562 CAP 17C2				
	C319 CAP 16A8	C401 CAP 37D1	C482 CAP 38B3	C563 CAP 50B6				
	C320 CAP 16C2	C402 CAP 44C3	C483 CAP 38B3	C564 CAP 50C2				
	C321 CAP 52B7	C403 CAP 35D4	C484 CAP 38B5	C565 CAP 22B5				
	C322 CAP 52A7	C404 CAP 35D4	C485 CAP 38B1	C566 CAP 22B7				
	C323 CAP_P 51B3	C405 CAP 35D3	C486 CAP 23B6	C567 CAP 22B7				
	C324 CAP_P 51B3	C406 CAP 38B6	C487 CAP 23D7	C568 CAP 22B8				
	C325 CAP 49A4	C407 CAP 38A6	C488 CAP 23B7	C569 CAP 22B8				
	C326 CAP_P 52B2	C408 CAP 43B3	C489 CAP 23B5	C570 CAP 34C8				
	C327 CAP_P 52B2	C409 CAP 27B3	C490 CAP 38B6	C571 CAP 44B5				
	C328 CAP_P 52B2	C410 CAP 38D4	C491 CAP 44B4	C572 CAP 50B7				
	C329 CAP 51B3	C411 CAP 38A7	C492 CAP 23D2	C573 CAP 34C8				
	C330 CAP_P 51B3	C412 CAP 43C3	C493 CAP 23D7	C574 CAP 34C8				
	C331 CAP_P 51B2	C413 CAP 35D3	C494 CAP 23D7	C575 CAP 44B7				
	C332 CAP_P 51B2	C414 CAP 27B4	C495 CAP 38B2	C576 CAP 50C3				
	C333 CAP 52B6	C415 CAP 27A4	C496 CAP 38B2	C577 CAP 44B5				
	C334 CAP_P 47C1	C416 CAP 27A4	C497 CAP 44B4	C578 CAP 41C5				
	C335 CAP_P 47C2	C417 CAP 35B3	C498 CAP 44B4	C579 CAP 41C5				
	C336 CAP_P 47C2	C418 CAP 38D4	C499 CAP 43D6	C580 CAP_P 41B2				
	C337 CAP_P 47C2	C419 CAP 44B3	C500 CAP 38C7	C581 CAP 41B2				
	C338 CAP_P 52D7	C420 CAP 43D3	C501 CAP 44C5	C582 CAP 44C3				
	C339 CAP_P 52D7	C421 CAP 27D4	C502 CAP 44C5	C583 CAP 48A5				
	C340 CAP_P 47C2	C422 CAP 27C4	C503 CAP 43C6	C584 CAP 41D3				
	C341 CAP 52B7	C423 CAP 27C3	C504 CAP 43B7	C585 CAP 50B5				
	C342 CAP_P 51C3	C424 CAP 38B6	C505 CAP 42D3	C586 CAP 50A4				
	C343 CAP_P 47D3	C425 CAP 44B3	C506 CAP 42C3	C587 CAP 41B2				
	C344 CAP 52B4	C426 CAP 44B2	C507 CAP 42B3	C588 CAP 41B5				
	C345 CAP 4B1	C427 CAP 43B3	C508 CAP 43C6	C589 CAP 50C5				
	C346 CAP_P 47B1	C428 CAP 38B7	C509 CAP 20B8	C590 CAP 53C4				
	C347 CAP_P 47B2	C429 CAP 44B2	C510 CAP 20B8	C591 CAP_P 41D2				
	C348 CAP_P 47B2	C430 CAP 44B2	C511 CAP 34D5	C592 CAP 41B5				
	C349 CAP_P 52D7	C431 CAP 42B6	C512 CAP_P 43B7	C593 CAP 17C1				
	C350 CAP 9D4	C432 CAP 27B3	C513 CAP 42B3	C594 CAP 41B5				
	C351 CAP_P 51C3	C433 CAP 35C3	C514 CAP 42C3	C595 CAP 41B5				
	C352 CAP 4B1	C434 CAP 37D1	C515 CAP 34C8	C596 CAP 50C6				
	C353 CAP 9D4	C435 CAP 44B2	C516 CAP 34D8	C597 CAP 41C4				
	C354 CAP_P 52D4	C436 CAP 43A4	C517 CAP 34C8	C598 CAP 9B2				
	C355 CAP_P 52D4	C437 CAP 42C6	C518 CAP 43B7	C599 CAP 41D4				
	C356 CAP_P 52D4	C438 CAP 37D2	C519 CAP 34D8	C600 CAP_P 41D4				
	C357 CAP_P 47D3	C439 CAP 38B4	C520 CAP 22D2	C601 CAP 31A5				
	C358 CAP 51C4	C440 CAP 38B4	C521 CAP 22D2	C602 CAP 17C1				
	C359 CAP 51B7	C441 CAP 38C5	C522 CAP 34D8	C603 CAP 18A8				
	C360 CAP_P 48C4	C442 CAP 38C5	C523 CAP 34D8	C604 CAP_P 31A7				
	C361 CAP_P 47B2	C443 CAP 38B2	C524 CAP_P 43C7	C605 CAP 24C2				
	C362 CAP_P 47B2	C444 CAP 38B2	C525 CAP_P 43D7	C606 CAP 24C2				
	C363 CAP_P 48C5	C445 CAP 38C3	C526 CAP 34D5	C607 CAP 24C1				
	C364 CAP 9C1	C446 CAP 38C3	C527 CAP 34D8	C608 CAP 31A6				
	C365 CAP_P 48C6	C447 CAP 42B6	C528 CAP_P 50B3	C609 CAP 31A4				
	C366 CAP 48C5	C448 CAP 44B4	C529 CAP 34D5	C610 CAP 26A3				
	C367 CAP 47B6	C449 CAP 35A7	C530 CAP 34C7	C611 CAP 15D7				
	C369 CAP 4A1	C450 CAP 38B3	C531 CAP 34C7	C612 CAP 15D7				
	C370 CAP 4A1	C451 CAP 38B2	C532 CAP 22D7	C613 CAP 15D6				
	C371 CAP 47C5	C452 CAP 38B4	C533 CAP 22D7	C614 CAP 31A6				
	C372 CAP 47B7	C453 CAP 43B4	C534 CAP 22B6	C615 CAP 31A4				
	C373 CAP 47C8	C454 CAP 42C6	C535 CAP 22B6	C616 CAP 24A3				
	C374 CAP 47B5	C455 CAP 38B4	C536 CAP 34C8	C617 CAP 24A3				
	C375 CAP 38C1	C456 CAP 38B3	C537 CAP 34D7	C618 CAP 25A6				
	C376 CAP 38D3	C457 CAP 38B4	C538 CAP_P 41D6	C619 CAP 31C7				
	C377 CAP 35A4	C458 CAP 38B3	C539 CAP_P 41B7	C620 CAP 31C7				
	C378 CAP 38C2	C459 CAP 44B4	C540 CAP 22D8	C621 CAP 31D7				
	C379 CAP 38C2	C460 CAP 23D2	C541 CAP 34D8	C622 CAP 31D7				
	C380 CAP 35C3	C461 CAP 23B7	C542 CAP 45C3	C623 CAP 30D7				
	C381 CAP 38D3	C462 CAP 23B8	C543 CAP 50B3	C624 CAP 17C1				
	C382 CAP 35A4	C463 CAP 38B4	C544 CAP 22D7	C625 CAP 31A7				
	C383 CAP 35C4	C464 CAP 38B4	C545 CAP 22B7	C626 CAP 25A6				
	C384 CAP 38C2	C465 CAP 44B4	C546 CAP 34D8	C627 CAP 31A6				
	C385 CAP 35B3	C466 CAP 23B7	C547 CAP 34D7	C628 CAP 13C8				
	C386 CAP 35C3	C467 CAP 23D8	C548 CAP 34D8	C629 CAP_P 31A5				
	C387 CAP 35C4	C468 CAP 38B1	C549 CAP 41D7	C630 CAP 31A6				
	C388 CAP 44A1	C469 CAP 23B7	C550 CAP 45B2	C631 CAP 50C7				
	C389 CAP 35B4	C470 CAP 23B8	C551 CAP 45B3	C632 CAP 50C7				
	C390 CAP 38A6	C471 CAP 38B4	C552 CAP 50B6	C633 CAP 50C7				
	C391 CAP 35B4	C472 CAP 38B1	C553 CAP 22B6	C634 CAP 50C7				
	C392 CAP 38A6	C473 CAP 53D2	C554 CAP 22B7	C635 CAP_P 25A6				
	C393 CAP 38A6	C474 CAP 44A4	C555 CAP 34D7	C636 CAP_P 25A8				
	C394 CAP 38A6	C475 CAP 23B6	C556 CAP 45C2	C637 CAP 13C4				
	C395 CAP 38A6	C476 CAP 23B6	C557 CAP 50C3	C638 CAP 13C8				
	C396 CAP 35A4	C477 CAP 38C7	C558 CAP_P 50B2	C639 CAP 31A4				
	C397 CAP 35D3	C478 CAP 45B5	C559 CAP 34D8	C640 CAP 31A3				
	C398 CAP 35B3	C479 CAP_P 42C4	C560 CAP 44B5	C641 CAP 13B8				
A								

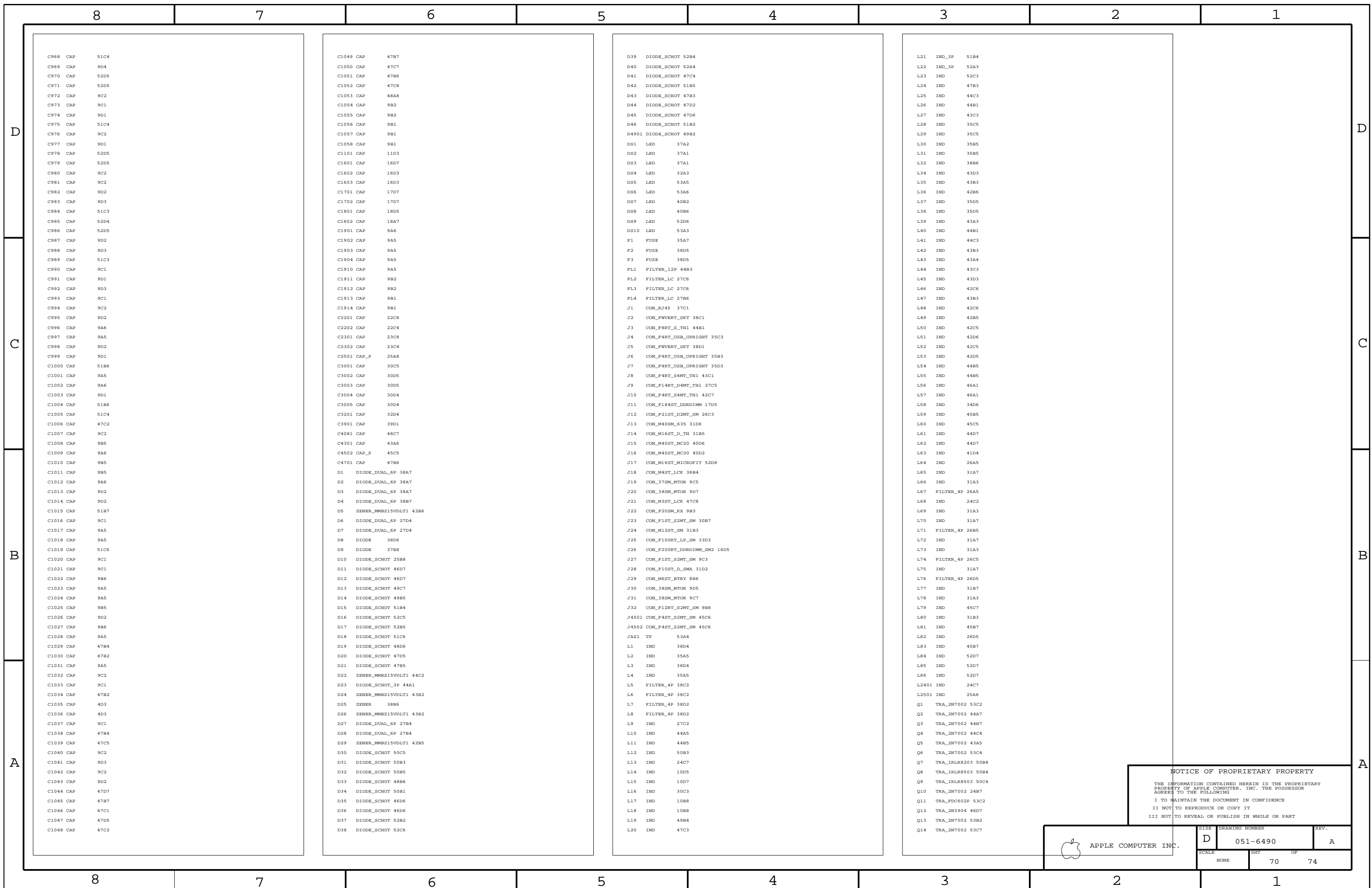
NOTICE OF PROPRIETARY PROPERTY
 THE INFORMATION CONTAINED HEREIN IS THE PROPRIETARY PROPERTY OF APPLE COMPUTER, INC. THE POSSESSOR AGREES TO THE FOLLOWING
 I TO MAINTAIN THE DOCUMENT IN CONFIDENCE
 II NOT TO REPRODUCE OR COPY IT
 III NOT TO REVEAL OR PUBLISH IN WHOLE OR PART

APPLE COMPUTER INC.	SIZE	DRAWING NUMBER	REV.
	D	051-6490	A
SCALE	SHT	OF	
NONE	68		74

	8	7	6	5	4	3	2	1
D	C642 CAP 45C7 C643 CAP 13C2 C644 CAP 13B2 C645 CAP 13B1 C646 CAP 13B1 C647 CAP 13C7 C648 CAP 13B7 C649 CAP 13C6 C650 CAP 13C7 C651 CAP 13C5 C652 CAP 26B2 C653 CAP 53B4 C654 CAP 53B4 C655 CAP 13C4 C656 CAP 13C2 C657 CAP 13B3 C658 CAP 13B2 C659 CAP 13B3 C660 CAP 13B1 C661 CAP 13B7 C662 CAP 13B7 C663 CAP 13B6 C664 CAP 13C5 C665 CAP 13C6 C666 CAP 13C5 C667 CAP 13C6 C668 CAP 13A5 C669 CAP 15C5 C670 CAP 15C6 C671 CAP 15C5 C672 CAP 17C1 C673 CAP 13B2 C674 CAP 13B6 C675 CAP 45B7 C676 CAP 13B3 C677 CAP 13B1 C678 CAP 13B3 C679 CAP 13B1 C680 CAP 13C3 C681 CAP 13B3 C682 CAP 13B3 C683 CAP 13C6 C684 CAP 13C7 C685 CAP 13C6 C686 CAP 13C6 C687 CAP 13A6 C688 CAP 13B7 C689 CAP 13C1 C690 CAP 13B2 C691 CAP 13C2 C692 CAP 30D6 C693 CAP 13C7 C694 CAP 13C5 C695 CAP 13C5 C696 CAP 13C5 C697 CAP 13C7 C698 CAP 13B5 C699 CAP 13A7 C700 CAP 13B7 C701 CAP 46B2 C702 CAP 13D4 C703 CAP 30D6 C704 CAP 30D5 C705 CAP 46A6 C706 CAP 46A6 C707 CAP 13B3 C708 CAP 13B3 C709 CAP 13C6 C710 CAP 13C6 C711 CAP 13B6 C712 CAP 13B1 C713 CAP 30D5 C714 CAP 13A5 C715 CAP 46B2 C716 CAP 13B2 C717 CAP 13C3 C718 CAP 13B1 C719 CAP 13D2 C720 CAP 13C3 C721 CAP 13D3 C722 CAP 13A7	C723 CAP 13A6 C724 CAP 13A5 C725 CAP 13B7 C726 CAP 17C2 C727 CAP 13D4 C728 CAP 13C3 C729 CAP 13B3 C730 CAP 13D3 C731 CAP 13D1 C732 CAP 13D1 C733 CAP 13C7 C734 CAP 13D2 C735 CAP 13A7 C736 CAP 13A5 C737 CAP 10D6 C738 CAP 10D7 C739 CAP 10D6 C740 CAP 10B5 C741 CAP 17C2 C742 CAP 53C6 C743 CAP 13B3 C744 CAP 13B1 C745 CAP 13C3 C746 CAP 13D3 C747 CAP 13D1 C748 CAP 13D2 C749 CAP 13D3 C750 CAP 13A6 C751 CAP 13A7 C752 CAP 13A6 C753 CAP 13A6 C754 CAP 13A5 C755 CAP 13A6 C756 CAP 10D5 C757 CAP 10D6 C758 CAP 10D4 C759 CAP 46D5 C760 CAP 18D6 C761 CAP 13B3 C762 CAP 13C1 C763 CAP 13D2 C764 CAP 13D3 C765 CAP 13D3 C766 CAP 13D1 C767 CAP 13B6 C768 CAP 13A6 C769 CAP 10D5 C770 CAP 10D6 C771 CAP 10C6 C772 CAP 10C6 C773 CAP 53C5 C774 CAP 13C1 C775 CAP 13C3 C776 CAP 13B2 C777 CAP 13C1 C779 CAP 13D1 C780 CAP 13D2 C781 CAP 13A5 C782 CAP 13A7 C783 CAP 46D5 C784 CAP 30A6 C785 CAP 30C3 C787 CAP 13D3 C788 CAP 13D3 C789 CAP 13D3 C790 CAP 13D1 C791 CAP 13A6 C792 CAP 13A6 C793 CAP 13B6 C794 CAP 13B5 C795 CAP 30C3 C796 CAP 13C3 C797 CAP 13D3 C798 CAP 13D1 C799 CAP 13D1 C800 CAP 13D2 C801 CAP 13A7 C802 CAP 13A5 C803 CAP 13A6 C804 CAP 10D3 C805 CAP 13B2	C806 CAP 13C2 C807 CAP 13B2 C808 CAP 13D2 C809 CAP 13C3 C810 CAP 13D2 C811 CAP 13D2 C812 CAP 13C2 C813 CAP 13A5 C814 CAP 13A6 C815 CAP 13B6 C816 CAP 13A6 C817 CAP 13B6 C818 CAP 13A5 C819 CAP 17C2 C820 CAP 30C3 C821 CAP 13C1 C822 CAP 13C1 C823 CAP 13D7 C824 CAP 13D6 C825 CAP 13A7 C826 CAP 13A7 C827 CAP 13B5 C828 CAP 13C1 C829 CAP 13C2 C830 CAP 13C3 C831 CAP 13D3 C832 CAP 13D7 C833 CAP 13D3 C834 CAP 13D6 C835 CAP 13B3 C836 CAP 13B6 C837 CAP 13B7 C838 CAP 13A7 C839 CAP 13B6 C840 CAP 30A6 C841 CAP 13D4 C842 CAP 13D6 C843 CAP 13C7 C844 CAP 13D6 C845 CAP 13D6 C846 CAP 13D7 C847 CAP 14A7 C848 CAP 32D5 C849 CAP 13C6 C850 CAP 13B3 C851 CAP 13B3 C852 CAP 13B2 C853 CAP 14A7 C854 CAP 11D3 C855 CAP 13B5 C856 CAP 13A7 C857 CAP 13B6 C858 CAP 15D4 C859 CAP 15D3 C860 CAP 15D4 C861 CAP 46A1 C862 CAP 46B7 C863 CAP 13C2 C864 CAP 17C2 C865 CAP 13B1 C866 CAP 13C3 C867 CAP 13C3 C868 CAP 13C2 C869 CAP 13D5 C870 CAP 13D6 C871 CAP 13D6 C872 CAP 13D5 C873 CAP 13D5 C874 CAP 13D5 C875 CAP 13B3 C876 CAP 13B5 C877 CAP 13B7 C878 CAP 13B7 C879 CAP 13B2 C880 CAP 13B5 C881 CAP 13B3 C882 CAP 13B1 C883 CAP 13B2 C884 CAP 13D6 C885 CAP 13D7 C886 CAP 13D5	C887 CAP 13D7 C888 CAP 13D6 C889 CAP 13D6 C890 CAP 13D7 C891 CAP 13D6 C892 CAP 13C4 C893 CAP 13C1 C894 CAP 13C2 C895 CAP 13D5 C896 CAP 13D5 C897 CAP 13D6 C898 CAP 13D5 C899 CAP 13D5 C900 CAP 13D7 C901 CAP 13D7 C902 CAP 13C7 C903 CAP 13B2 C904 CAP 13B6 C905 CAP 10B7 C906 CAP 10B7 C907 CAP 10B8 C908 CAP 15C2 C909 CAP 15C2 C910 CAP 15C1 C911 CAP 39C2 C912 CAP 10B8 C913 CAP 10B7 C914 CAP 17C2 C915 CAP 53D7 C916 CAP 14A8 C917 CAP 39C5 C918 CAP 53D6 C919 CAP 40C7 C920 CAP 40C1 C921 CAP 40C5 C922 CAP 17C1 C923 CAP 40B5 C924 CAP 40B7 C925 CAP 17C2 C926 CAP 52C1 C927 CAP 52B1 C928 CAP_P 49B4 C929 CAP 16A7 C930 CAP 52B8 C931 CAP 52B5 C932 CAP 52A5 C933 CAP 52A6 C934 CAP 52B1 C935 CAP_P 49B3 C936 CAP 17C2 C937 CAP 52C7 C938 CAP 52A4 C939 CAP 52A6 C940 CAP 52A5 C941 CAP 52C5 C942 CAP 8C3 C943 CAP 17A3 C944 CAP 47D3 C945 CAP 17A2 C946 CAP 8A6 C947 CAP_P 47C1 C948 CAP 51B4 C949 CAP 47C5 C950 CAP 47D4 C951 CAP 47D4 C952 CAP 47D4 C953 CAP 47D4 C954 CAP 4C2 C955 CAP 52D4 C956 CAP 52D5 C957 CAP_P 47B1 C958 CAP 9D4 C959 CAP 51C4 C960 CAP 47B2 C961 CAP 9C2 C962 CAP 51C3 C963 CAP 47D4 C964 CAP 47D4 C965 CAP 47D4 C966 CAP 47D4 C967 CAP 9C1	D			
C								
B								
A								
	8	7	6	5	4	3	2	1

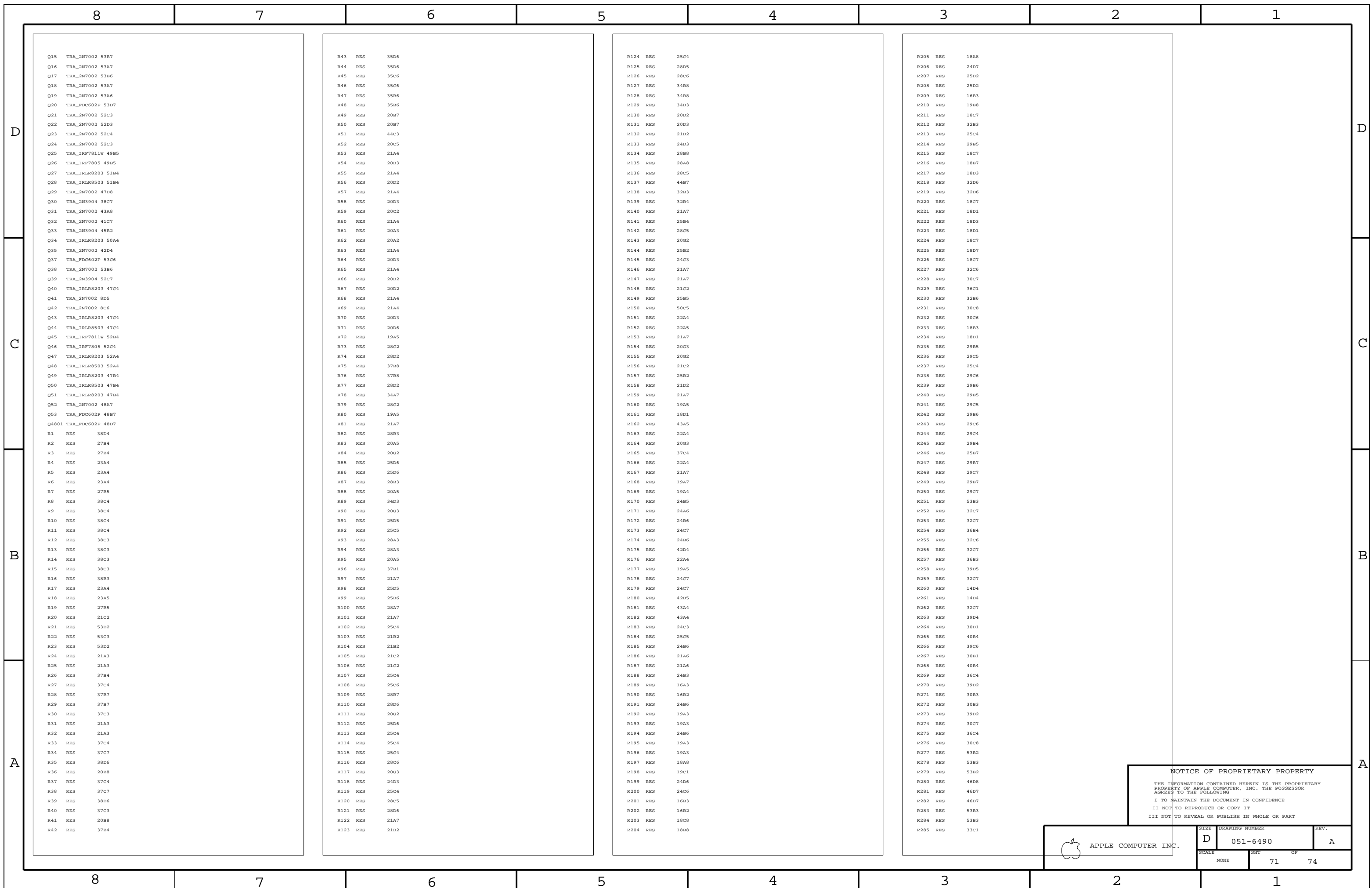
NOTICE OF PROPRIETARY PROPERTY
 THE INFORMATION CONTAINED HEREIN IS THE PROPRIETARY PROPERTY OF APPLE COMPUTER, INC. THE POSSESSOR AGREES TO THE FOLLOWING
 I TO MAINTAIN THE DOCUMENT IN CONFIDENCE
 II NOT TO REPRODUCE OR COPY IT
 III NOT TO REVEAL OR PUBLISH IN WHOLE OR PART

APPLE COMPUTER INC.	SIZE	DRAWING NUMBER	REV.
	D	051-6490	A
SCALE	SHT	OF	
NONE	69	74	



NOTICE OF PROPRIETARY PROPERTY
 THE INFORMATION CONTAINED HEREIN IS THE PROPRIETARY PROPERTY OF APPLE COMPUTER, INC. THE POSSESSOR AGREES TO THE FOLLOWING
 I TO MAINTAIN THE DOCUMENT IN CONFIDENCE
 II NOT TO REPRODUCE OR COPY IT
 III NOT TO REVEAL OR PUBLISH IN WHOLE OR PART

APPLE COMPUTER INC.	SIZE D	DRAWING NUMBER 051-6490	REV. A
	SCALE NONE	SHEET 70	OF 74



Q15 TRA_2N7002 53B7
 Q16 TRA_2N7002 53A7
 Q17 TRA_2N7002 53B6
 Q18 TRA_2N7002 53A7
 Q19 TRA_2N7002 53A6
 Q20 TRA_FDC602P 53D7
 Q21 TRA_2N7002 52C3
 Q22 TRA_2N7002 52D3
 Q23 TRA_2N7002 52C4
 Q24 TRA_2N7002 52C3
 Q25 TRA_IRF7811W 49B5
 Q26 TRA_IRF7805 49B5
 Q27 TRA_IRLR8203 51B4
 Q28 TRA_IRLR8503 51B4
 Q29 TRA_2N7002 47D8
 Q30 TRA_2N3904 38C7
 Q31 TRA_2N7002 43A8
 Q32 TRA_2N7002 41C7
 Q33 TRA_2N3904 45B2
 Q34 TRA_IRLR8203 50A4
 Q35 TRA_2N7002 42D4
 Q37 TRA_FDC602P 53C6
 Q38 TRA_2N7002 53B6
 Q39 TRA_2N3904 52C7
 Q40 TRA_IRLR8203 47C4
 Q41 TRA_2N7002 8D5
 Q42 TRA_2N7002 8C6
 Q43 TRA_IRLR8203 47C4
 Q44 TRA_IRLR8503 47C4
 Q45 TRA_IRF7811W 52B4
 Q46 TRA_IRF7805 52C4
 Q47 TRA_IRLR8203 52A4
 Q48 TRA_IRLR8503 52A4
 Q49 TRA_IRLR8203 47B4
 Q50 TRA_IRLR8503 47B4
 Q51 TRA_IRLR8203 47B4
 Q52 TRA_2N7002 48A7
 Q53 TRA_FDC602P 48B7
 Q4801 TRA_FDC602P 48D7
 R1 RES 38D4
 R2 RES 27B4
 R3 RES 27B4
 R4 RES 23A4
 R5 RES 23A4
 R6 RES 23A4
 R7 RES 27B5
 R8 RES 38C4
 R9 RES 38C4
 R10 RES 38C4
 R11 RES 38C4
 R12 RES 38C3
 R13 RES 38C3
 R14 RES 38C3
 R15 RES 38C3
 R16 RES 38B3
 R17 RES 23A4
 R18 RES 23A5
 R19 RES 27B5
 R20 RES 21C2
 R21 RES 53D2
 R22 RES 53C3
 R23 RES 53D2
 R24 RES 21A3
 R25 RES 21A3
 R26 RES 37B4
 R27 RES 37C4
 R28 RES 37B7
 R29 RES 37B7
 R30 RES 37C3
 R31 RES 21A3
 R32 RES 21A3
 R33 RES 37C4
 R34 RES 37C7
 R35 RES 38D6
 R36 RES 20B8
 R37 RES 37C4
 R38 RES 37C7
 R39 RES 38D6
 R40 RES 37C3
 R41 RES 20B8
 R42 RES 37B4

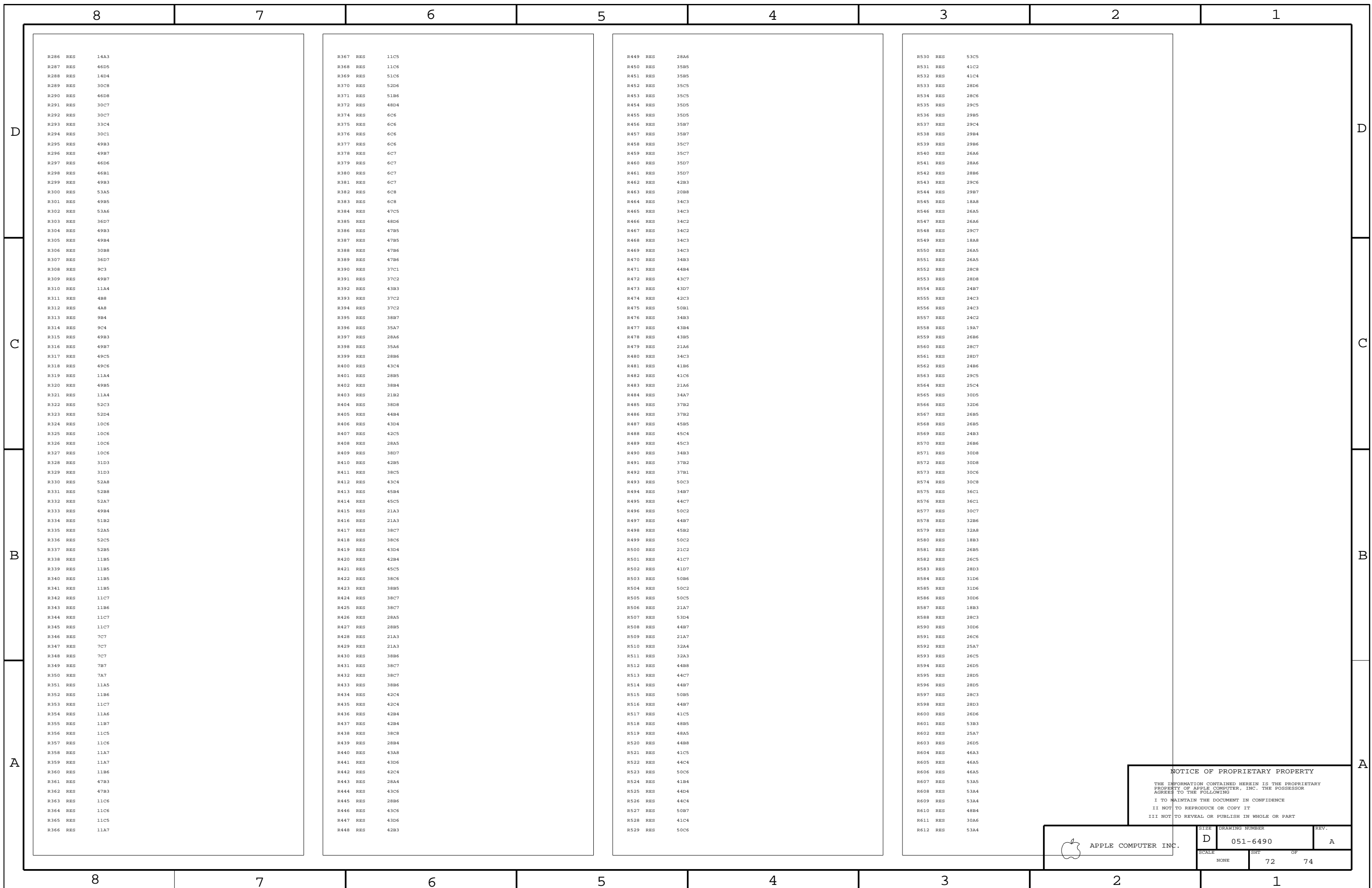
R43 RES 35D6
 R44 RES 35D6
 R45 RES 35C6
 R46 RES 35C6
 R47 RES 35B6
 R48 RES 35B6
 R49 RES 20B7
 R50 RES 20B7
 R51 RES 44C3
 R52 RES 20C5
 R53 RES 21A4
 R54 RES 20D3
 R55 RES 21A4
 R56 RES 20D2
 R57 RES 21A4
 R58 RES 20D3
 R59 RES 20C2
 R60 RES 21A4
 R61 RES 20A3
 R62 RES 20A2
 R63 RES 21A4
 R64 RES 20D3
 R65 RES 21A4
 R66 RES 20D2
 R67 RES 20D2
 R68 RES 21A4
 R69 RES 21A4
 R70 RES 20D3
 R71 RES 20D6
 R72 RES 19A5
 R73 RES 28C2
 R74 RES 28D2
 R75 RES 37B8
 R76 RES 37B8
 R77 RES 28D2
 R78 RES 34A7
 R79 RES 28C2
 R80 RES 19A5
 R81 RES 21A7
 R82 RES 28B3
 R83 RES 20A5
 R84 RES 20G2
 R85 RES 25D6
 R86 RES 25D6
 R87 RES 28B3
 R88 RES 20A5
 R89 RES 34D3
 R90 RES 20G3
 R91 RES 25D5
 R92 RES 25C5
 R93 RES 28A3
 R94 RES 28A3
 R95 RES 20A5
 R96 RES 37B1
 R97 RES 21A7
 R98 RES 25D5
 R99 RES 25D6
 R100 RES 28A7
 R101 RES 21A7
 R102 RES 25C4
 R103 RES 21B2
 R104 RES 21B2
 R105 RES 21C2
 R106 RES 21C2
 R107 RES 25C4
 R108 RES 25C6
 R109 RES 28B7
 R110 RES 28D6
 R111 RES 20G2
 R112 RES 25D6
 R113 RES 25C4
 R114 RES 25C4
 R115 RES 25C4
 R116 RES 28C6
 R117 RES 20G3
 R118 RES 24D3
 R119 RES 25C4
 R120 RES 28C5
 R121 RES 28D6
 R122 RES 21A7
 R123 RES 21D2

R124 RES 25C4
 R125 RES 28D5
 R126 RES 28C6
 R127 RES 34B8
 R128 RES 34B8
 R129 RES 34D3
 R130 RES 20D2
 R131 RES 20D3
 R132 RES 21D2
 R133 RES 24D3
 R134 RES 28B8
 R135 RES 28A8
 R136 RES 28C5
 R137 RES 44B7
 R138 RES 32B3
 R139 RES 32B4
 R140 RES 21A7
 R141 RES 25B4
 R142 RES 28C5
 R143 RES 20G2
 R144 RES 25B2
 R145 RES 24C3
 R146 RES 21A7
 R147 RES 21A7
 R148 RES 21C2
 R149 RES 25B5
 R150 RES 50C5
 R151 RES 22A4
 R152 RES 22A5
 R153 RES 21A7
 R154 RES 20G3
 R155 RES 20G2
 R156 RES 21C2
 R157 RES 25B2
 R158 RES 21D2
 R159 RES 21A7
 R160 RES 19A5
 R161 RES 18D1
 R162 RES 43A5
 R163 RES 22A4
 R164 RES 20G3
 R165 RES 37C4
 R166 RES 22A4
 R167 RES 21A7
 R168 RES 19A7
 R169 RES 19A4
 R170 RES 24B5
 R171 RES 24A6
 R172 RES 24B6
 R173 RES 24C7
 R174 RES 24B6
 R175 RES 42D4
 R176 RES 22A4
 R177 RES 19A5
 R178 RES 24C7
 R179 RES 24C7
 R180 RES 42D5
 R181 RES 43A4
 R182 RES 43A4
 R183 RES 24C3
 R184 RES 25C5
 R185 RES 24B6
 R186 RES 21A6
 R187 RES 21A6
 R188 RES 24B3
 R189 RES 16A3
 R190 RES 16B2
 R191 RES 24B6
 R192 RES 19A3
 R193 RES 19A3
 R194 RES 24B6
 R195 RES 19A3
 R196 RES 19A3
 R197 RES 18A8
 R198 RES 19C1
 R199 RES 24D6
 R200 RES 24C6
 R201 RES 16B3
 R202 RES 16B2
 R203 RES 18C8
 R204 RES 18B8

R205 RES 18A8
 R206 RES 24D7
 R207 RES 25D2
 R208 RES 25D2
 R209 RES 16B3
 R210 RES 19B8
 R211 RES 18C7
 R212 RES 32B3
 R213 RES 25C4
 R214 RES 29B5
 R215 RES 18C7
 R216 RES 18B7
 R217 RES 18D3
 R218 RES 32D6
 R219 RES 32D6
 R220 RES 18C7
 R221 RES 18D1
 R222 RES 18D3
 R223 RES 18D1
 R224 RES 18C7
 R225 RES 18D7
 R226 RES 18C7
 R227 RES 32C6
 R228 RES 30C7
 R229 RES 36C1
 R230 RES 32B6
 R231 RES 30C8
 R232 RES 30C6
 R233 RES 18B3
 R234 RES 18D1
 R235 RES 29B5
 R236 RES 29C5
 R237 RES 25C4
 R238 RES 29C6
 R239 RES 29B6
 R240 RES 29B5
 R241 RES 29C5
 R242 RES 29B6
 R243 RES 29C6
 R244 RES 29C4
 R245 RES 29B4
 R246 RES 25B7
 R247 RES 29B7
 R248 RES 29C7
 R249 RES 29B7
 R250 RES 29C7
 R251 RES 53B3
 R252 RES 32C7
 R253 RES 32C7
 R254 RES 36B4
 R255 RES 32C6
 R256 RES 32C7
 R257 RES 36B3
 R258 RES 39D5
 R259 RES 32C7
 R260 RES 14D4
 R261 RES 14D4
 R262 RES 32C7
 R263 RES 39D4
 R264 RES 30D1
 R265 RES 40B4
 R266 RES 39C6
 R267 RES 30B1
 R268 RES 40B4
 R269 RES 36C4
 R270 RES 39D2
 R271 RES 30B3
 R272 RES 30B3
 R273 RES 39D2
 R274 RES 30C7
 R275 RES 36C4
 R276 RES 30C8
 R277 RES 53B2
 R278 RES 53B3
 R279 RES 53B2
 R280 RES 46D8
 R281 RES 46D7
 R282 RES 46D7
 R283 RES 53B3
 R284 RES 53B3
 R285 RES 33C1

NOTICE OF PROPRIETARY PROPERTY
 THE INFORMATION CONTAINED HEREIN IS THE PROPRIETARY PROPERTY OF APPLE COMPUTER, INC. THE POSSESSOR AGREES TO THE FOLLOWING
 I TO MAINTAIN THE DOCUMENT IN CONFIDENCE
 II NOT TO REPRODUCE OR COPY IT
 III NOT TO REVEAL OR PUBLISH IN WHOLE OR PART

APPLE COMPUTER INC.	SIZE	DRAWING NUMBER	REV.
	D	051-6490	A
SCALE	SHT OF		
NONE	71	74	



R286	RES	14A3
R287	RES	46D5
R288	RES	14D4
R289	RES	30C8
R290	RES	46D8
R291	RES	30C7
R292	RES	30C7
R293	RES	33C4
R294	RES	30C1
R295	RES	49B3
R296	RES	49B7
R297	RES	46D6
R298	RES	46B1
R299	RES	49B3
R300	RES	53A5
R301	RES	49B5
R302	RES	53A6
R303	RES	36D7
R304	RES	49B3
R305	RES	49B4
R306	RES	30B8
R307	RES	36D7
R308	RES	9C3
R309	RES	49B7
R310	RES	11A4
R311	RES	4B8
R312	RES	4A8
R313	RES	9B4
R314	RES	9C4
R315	RES	49B3
R316	RES	49B7
R317	RES	49C5
R318	RES	49C6
R319	RES	11A4
R320	RES	49B5
R321	RES	11A4
R322	RES	52C3
R323	RES	52D4
R324	RES	10C6
R325	RES	10C6
R326	RES	10C6
R327	RES	10C6
R328	RES	31D3
R329	RES	31D3
R330	RES	52A8
R331	RES	52B8
R332	RES	52A7
R333	RES	49B4
R334	RES	51B2
R335	RES	52A5
R336	RES	52C5
R337	RES	52B5
R338	RES	11B5
R339	RES	11B5
R340	RES	11B5
R341	RES	11B5
R342	RES	11C7
R343	RES	11B6
R344	RES	11C7
R345	RES	11C7
R346	RES	7C7
R347	RES	7C7
R348	RES	7C7
R349	RES	7B7
R350	RES	7A7
R351	RES	11A5
R352	RES	11B6
R353	RES	11C7
R354	RES	11A6
R355	RES	11B7
R356	RES	11C5
R357	RES	11C6
R358	RES	11A7
R359	RES	11A7
R360	RES	11B6
R361	RES	47B3
R362	RES	47B3
R363	RES	11C6
R364	RES	11C6
R365	RES	11C5
R366	RES	11A7

R367	RES	11C5
R368	RES	11C6
R369	RES	51C6
R370	RES	52D6
R371	RES	51B6
R372	RES	48D4
R374	RES	6C6
R375	RES	6C6
R376	RES	6C6
R377	RES	6C6
R378	RES	6C7
R379	RES	6C7
R380	RES	6C7
R381	RES	6C7
R382	RES	6C8
R383	RES	6C8
R384	RES	47C5
R385	RES	48D6
R386	RES	47B5
R387	RES	47B5
R388	RES	47B6
R389	RES	47B6
R390	RES	37C1
R391	RES	37C2
R392	RES	43B3
R393	RES	37C2
R394	RES	37C2
R395	RES	38B7
R396	RES	35A7
R397	RES	28A6
R398	RES	35A6
R399	RES	28B6
R400	RES	43C4
R401	RES	28B5
R402	RES	38B4
R403	RES	21B2
R404	RES	38D8
R405	RES	44B4
R406	RES	43D4
R407	RES	42C5
R408	RES	28A5
R409	RES	38D7
R410	RES	42B5
R411	RES	38C5
R412	RES	43C4
R413	RES	45B4
R414	RES	45C5
R415	RES	21A3
R416	RES	21A3
R417	RES	38C7
R418	RES	38C6
R419	RES	43D4
R420	RES	42B4
R421	RES	45C5
R422	RES	38C6
R423	RES	38B5
R424	RES	38C7
R425	RES	38C7
R426	RES	28A5
R427	RES	28B5
R428	RES	21A3
R429	RES	21A3
R430	RES	38B6
R431	RES	38C7
R432	RES	38C7
R433	RES	38B6
R434	RES	42C4
R435	RES	42C4
R436	RES	42B4
R437	RES	42B4
R438	RES	38C8
R439	RES	28B4
R440	RES	43A8
R441	RES	43D6
R442	RES	42C4
R443	RES	28A4
R444	RES	43C6
R445	RES	28B6
R446	RES	43C6
R447	RES	43D6
R448	RES	42B3

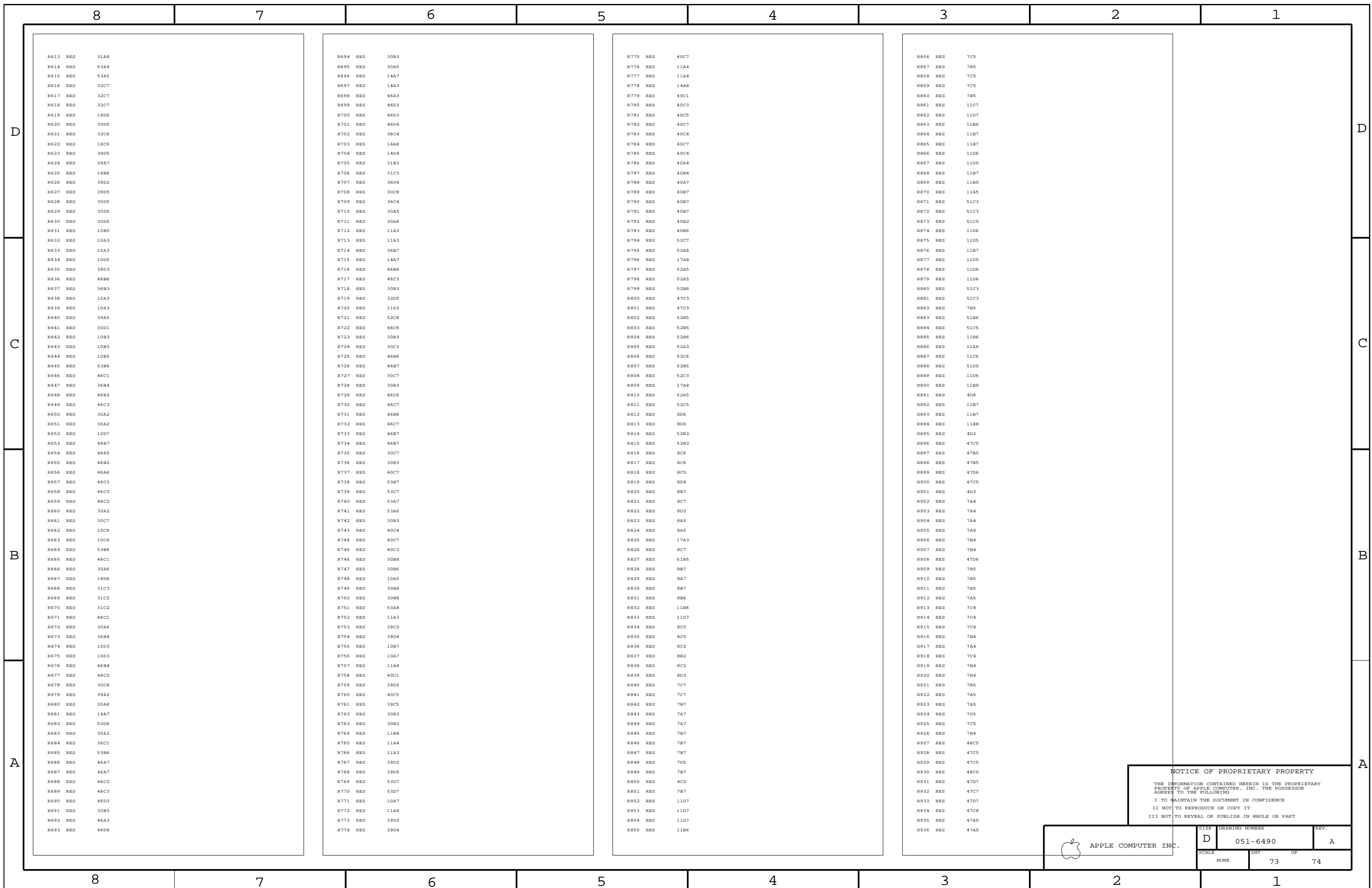
R449	RES	28A6
R450	RES	35B5
R451	RES	35B5
R452	RES	35C5
R453	RES	35C5
R454	RES	35D5
R455	RES	35D5
R456	RES	35B7
R457	RES	35B7
R458	RES	35C7
R459	RES	35C7
R460	RES	35D7
R461	RES	35D7
R462	RES	42B3
R463	RES	20B8
R464	RES	34C3
R465	RES	34C3
R466	RES	34C2
R467	RES	34C2
R468	RES	34C3
R469	RES	34C3
R470	RES	34B3
R471	RES	44B4
R472	RES	43C7
R473	RES	43D7
R474	RES	42C3
R475	RES	50B1
R476	RES	34B3
R477	RES	43B4
R478	RES	43B5
R479	RES	21A6
R480	RES	34C3
R481	RES	41B6
R482	RES	41C6
R483	RES	21A6
R484	RES	34A7
R485	RES	37B2
R486	RES	37B2
R487	RES	45B5
R488	RES	45C4
R489	RES	45C3
R490	RES	34B3
R491	RES	37B2
R492	RES	37B1
R493	RES	50C3
R494	RES	34B7
R495	RES	44C7
R496	RES	50C2
R497	RES	44B7
R498	RES	45B2
R499	RES	50C2
R500	RES	21C2
R501	RES	41C7
R502	RES	41D7
R503	RES	50B6
R504	RES	50C2
R505	RES	50C5
R506	RES	21A7
R507	RES	53D4
R508	RES	44B7
R509	RES	21A7
R510	RES	32A4
R511	RES	32A3
R512	RES	44B8
R513	RES	44C7
R514	RES	44B7
R515	RES	50B5
R516	RES	44B7
R517	RES	41C5
R518	RES	48B5
R519	RES	48A5
R520	RES	44B8
R521	RES	41C5
R522	RES	44C4
R523	RES	50C6
R524	RES	41B4
R525	RES	44D4
R526	RES	44C4
R527	RES	50B7
R528	RES	41C4
R529	RES	50C6

R530	RES	53C5
R531	RES	41C2
R532	RES	41C4
R533	RES	28D6
R534	RES	28C6
R535	RES	29C5
R536	RES	29B5
R537	RES	29C4
R538	RES	29B4
R539	RES	29B6
R540	RES	26A6
R541	RES	28A6
R542	RES	28B6
R543	RES	29C6
R544	RES	29B7
R545	RES	18A8
R546	RES	26A5
R547	RES	26A6
R548	RES	29C7
R549	RES	18A8
R550	RES	26A5
R551	RES	26A5
R552	RES	28C8
R553	RES	28D8
R554	RES	24B7
R555	RES	24C3
R556	RES	24C3
R557	RES	24C2
R558	RES	19A7
R559	RES	26B6
R560	RES	28C7
R561	RES	28D7
R562	RES	24B6
R563	RES	29C5
R564	RES	25C4
R565	RES	30D5
R566	RES	32D6
R567	RES	26B5
R568	RES	26B5
R569	RES	24B3
R570	RES	26B6
R571	RES	30D8
R572	RES	30D8
R573	RES	30C6
R574	RES	30C8
R575	RES	36C1
R576	RES	36C1
R577	RES	30C7
R578	RES	32B6
R579	RES	32A8
R580	RES	18B3
R581	RES	26B5
R582	RES	26C5
R583	RES	28D3
R584	RES	31D6
R585	RES	31D6
R586	RES	30D6
R587	RES	18B3
R588	RES	28C3
R590	RES	30D6
R591	RES	26C6
R592	RES	25A7
R593	RES	26C5
R594	RES	26D5
R595	RES	28D5
R596	RES	28D5
R597	RES	28C3
R598	RES	28D3
R600	RES	26D6
R601	RES	53B3
R602	RES	25A7
R603	RES	26D5
R604	RES	46A3
R605	RES	46A5
R606	RES	46A5
R607	RES	53A5
R608	RES	53A4
R609	RES	53A4
R610	RES	48B4
R611	RES	30A6
R612	RES	53A4

NOTICE OF PROPRIETARY PROPERTY
 THE INFORMATION CONTAINED HEREIN IS THE PROPRIETARY PROPERTY OF APPLE COMPUTER, INC. THE POSSESSOR AGREES TO THE FOLLOWING
 I TO MAINTAIN THE DOCUMENT IN CONFIDENCE
 II NOT TO REPRODUCE OR COPY IT
 III NOT TO REVEAL OR PUBLISH IN WHOLE OR PART

APPLE COMPUTER INC.

SIZE	DRAWING NUMBER	REV.
D	051-6490	A
SCALE	SHEET	OF
NONE	72	74



R613 RES 31A8
R614 RES 53A4
R615 RES 53A5
R616 RES 32C7
R617 RES 32C7
R618 RES 32C7
R619 RES 18D6
R620 RES 30D5
R621 RES 32C6
R622 RES 18C6
R623 RES 39D5
R624 RES 39A7
R625 RES 14B6
R626 RES 39D2
R627 RES 39D5
R628 RES 30D5
R629 RES 30D5
R630 RES 30D5
R631 RES 10B5
R632 RES 10A3
R633 RES 10A3
R634 RES 10D5
R635 RES 39D3
R636 RES 46B6
R637 RES 36B3
R638 RES 10A3
R639 RES 10A3
R640 RES 39A5
R641 RES 30D1
R642 RES 10B3
R643 RES 10B3
R644 RES 10B5
R645 RES 53B6
R646 RES 46C1
R647 RES 36B4
R648 RES 46B2
R649 RES 46C3
R650 RES 30A2
R651 RES 30A2
R652 RES 10D7
R653 RES 46B7
R654 RES 46A5
R655 RES 46B2
R656 RES 46A6
R657 RES 46C3
R658 RES 46C3
R659 RES 46C2
R660 RES 30A2
R661 RES 30C7
R662 RES 10C6
R663 RES 10C6
R664 RES 53B6
R665 RES 46C1
R666 RES 30A6
R667 RES 18D6
R668 RES 31C3
R669 RES 31C2
R670 RES 31C2
R671 RES 46C1
R672 RES 30A6
R673 RES 36B4
R674 RES 10D3
R675 RES 10D3
R676 RES 46B4
R677 RES 46C2
R678 RES 30C8
R679 RES 39A2
R680 RES 30A8
R681 RES 14A7
R682 RES 52D6
R683 RES 30A2
R684 RES 36C1
R685 RES 53B6
R686 RES 46A7
R687 RES 46A7
R688 RES 46C2
R689 RES 46C3
R690 RES 46D3
R691 RES 30B3
R692 RES 46A3
R693 RES 46D8

R694 RES 30B3
R695 RES 30A5
R696 RES 14A7
R697 RES 14A3
R698 RES 46A3
R699 RES 46D3
R700 RES 46D3
R701 RES 46D4
R702 RES 36C4
R703 RES 14A8
R704 RES 14D4
R705 RES 31B3
R706 RES 31C3
R707 RES 36D4
R708 RES 30C8
R709 RES 36C4
R710 RES 30A5
R711 RES 30A6
R712 RES 11A3
R713 RES 11A3
R714 RES 36B7
R715 RES 14A7
R716 RES 46B8
R717 RES 46C3
R718 RES 30B3
R719 RES 32D5
R720 RES 11D3
R721 RES 52C8
R722 RES 46C6
R723 RES 30B3
R724 RES 30C3
R725 RES 46B6
R726 RES 46B7
R727 RES 30C7
R728 RES 30B3
R729 RES 46C6
R730 RES 46C7
R731 RES 46B6
R732 RES 46C7
R733 RES 46B7
R734 RES 46B7
R735 RES 30C7
R736 RES 30B3
R737 RES 40C7
R738 RES 53B7
R739 RES 53C7
R740 RES 53A7
R741 RES 53A6
R742 RES 30B3
R743 RES 40C4
R744 RES 40C7
R745 RES 40C3
R746 RES 30B8
R747 RES 30B6
R748 RES 10A5
R749 RES 30B8
R750 RES 30B8
R751 RES 53A8
R752 RES 11A3
R753 RES 39C2
R754 RES 39D4
R755 RES 10B7
R756 RES 10A7
R757 RES 11A4
R758 RES 40C1
R759 RES 39D2
R760 RES 40C5
R761 RES 39C5
R762 RES 30B3
R763 RES 30B3
R764 RES 11B4
R765 RES 11A4
R766 RES 11A3
R767 RES 39D2
R768 RES 39D5
R769 RES 53D7
R770 RES 53D7
R771 RES 10A7
R772 RES 11A4
R773 RES 39D2
R774 RES 39D4

R775 RES 40C7
R776 RES 11A4
R777 RES 11A4
R778 RES 14A8
R779 RES 40C1
R780 RES 40C3
R781 RES 40C5
R782 RES 40C7
R783 RES 40C4
R784 RES 40C7
R785 RES 40C4
R786 RES 40A4
R787 RES 40B4
R788 RES 40A7
R789 RES 40B7
R790 RES 40B7
R791 RES 40B7
R792 RES 40B2
R793 RES 40B6
R794 RES 52C7
R795 RES 52A6
R796 RES 17A8
R797 RES 52A5
R798 RES 52A5
R799 RES 52B8
R800 RES 47C3
R801 RES 47C3
R802 RES 52B5
R803 RES 52B5
R804 RES 52B6
R805 RES 52A3
R806 RES 52C6
R807 RES 52B5
R808 RES 52C3
R809 RES 17A8
R810 RES 52A5
R811 RES 52C5
R812 RES 8D6
R813 RES 8D6
R814 RES 52B3
R815 RES 52B3
R816 RES 8C6
R817 RES 8C6
R818 RES 8C5
R819 RES 8D4
R820 RES 8B7
R821 RES 8C7
R822 RES 8D3
R823 RES 8A5
R824 RES 8A5
R825 RES 17A3
R826 RES 8C7
R827 RES 51B5
R828 RES 8B7
R829 RES 8A7
R830 RES 8B7
R831 RES 8B6
R832 RES 11B6
R833 RES 11D7
R834 RES 8C5
R835 RES 8C5
R836 RES 8C2
R837 RES 8B2
R838 RES 8C2
R839 RES 8D3
R840 RES 7C7
R841 RES 7C7
R842 RES 7B7
R843 RES 7A7
R844 RES 7A7
R845 RES 7B7
R846 RES 7B7
R847 RES 7B7
R848 RES 7D5
R849 RES 7B7
R850 RES 4C2
R851 RES 7B7
R852 RES 11D7
R853 RES 11D7
R854 RES 11D7
R855 RES 11B6


R856 RES 7C5
R857 RES 7B5
R858 RES 7C5
R859 RES 7C5
R860 RES 7B5
R861 RES 11C7
R862 RES 11D7
R863 RES 11B6
R864 RES 11B7
R865 RES 11B7
R866 RES 11D6
R867 RES 11D5
R868 RES 11B7
R869 RES 11B5
R870 RES 11A5
R871 RES 51C3
R872 RES 51C3
R873 RES 51C5
R874 RES 11D6
R875 RES 11D5
R876 RES 11B7
R877 RES 11D5
R878 RES 11D6
R879 RES 11D6
R880 RES 51C3
R881 RES 51C3
R882 RES 7B5
R883 RES 51B6
R884 RES 51C5
R885 RES 11B6
R886 RES 11A6
R887 RES 11C6
R888 RES 51D5
R889 RES 11D6
R890 RES 11B8
R891 RES 4D6
R892 RES 11B7
R893 RES 11B7
R894 RES 11B8
R895 RES 4D2
R896 RES 47C5
R897 RES 47B5
R898 RES 47B5
R899 RES 47D6
R900 RES 47C5
R901 RES 4D3
R902 RES 7A4
R903 RES 7A4
R904 RES 7A4
R905 RES 7A4
R906 RES 7B4
R907 RES 7B4
R908 RES 47D6
R909 RES 7B5
R910 RES 7B5
R911 RES 7B5
R912 RES 7A5
R913 RES 7C4
R914 RES 7C4
R915 RES 7C4
R916 RES 7B4
R917 RES 7A4
R918 RES 7C4
R919 RES 7B4
R920 RES 7B4
R921 RES 7B5
R922 RES 7A5
R923 RES 7A5
R924 RES 7D5
R925 RES 7C5
R926 RES 7B4
R927 RES 48C5
R928 RES 47C5
R929 RES 47C5
R930 RES 48C5
R931 RES 47D7
R932 RES 47C7
R933 RES 47D7
R934 RES 47C8
R935 RES 47A5
R936 RES 47A5

NOTICE OF PROPRIETARY PROPERTY
THE INFORMATION CONTAINED HEREIN IS THE PROPRIETARY PROPERTY OF APPLE COMPUTER, INC. THE POSSESSOR AGREES TO THE FOLLOWING:
I TO MAINTAIN THE DOCUMENT IN CONFIDENCE
II NOT TO REPRODUCE OR COPY IT
III NOT TO REVEAL OR PUBLISH IN WHOLE OR PART

APPLE COMPUTER INC.	SIZE D	DRAWING NUMBER 051-6490	REV. A
	SCALE NONE	SHEET 73	OF 74



NOTICE OF PROPRIETARY PROPERTY
 THE INFORMATION CONTAINED HEREIN IS THE PROPRIETARY PROPERTY OF APPLE COMPUTER, INC. THE POSSESSOR AGREES TO THE FOLLOWING:
 I TO MAINTAIN THE DOCUMENT IN CONFIDENCE
 II NOT TO REPRODUCE OR COPY IT
 III NOT TO REVEAL OR PUBLISH IN WHOLE OR PART

 APPLE COMPUTER INC.	SIZE D	DRAWING NUMBER 051-6490	REV. A
	SCALE NONE	SHEET 74	OF 74