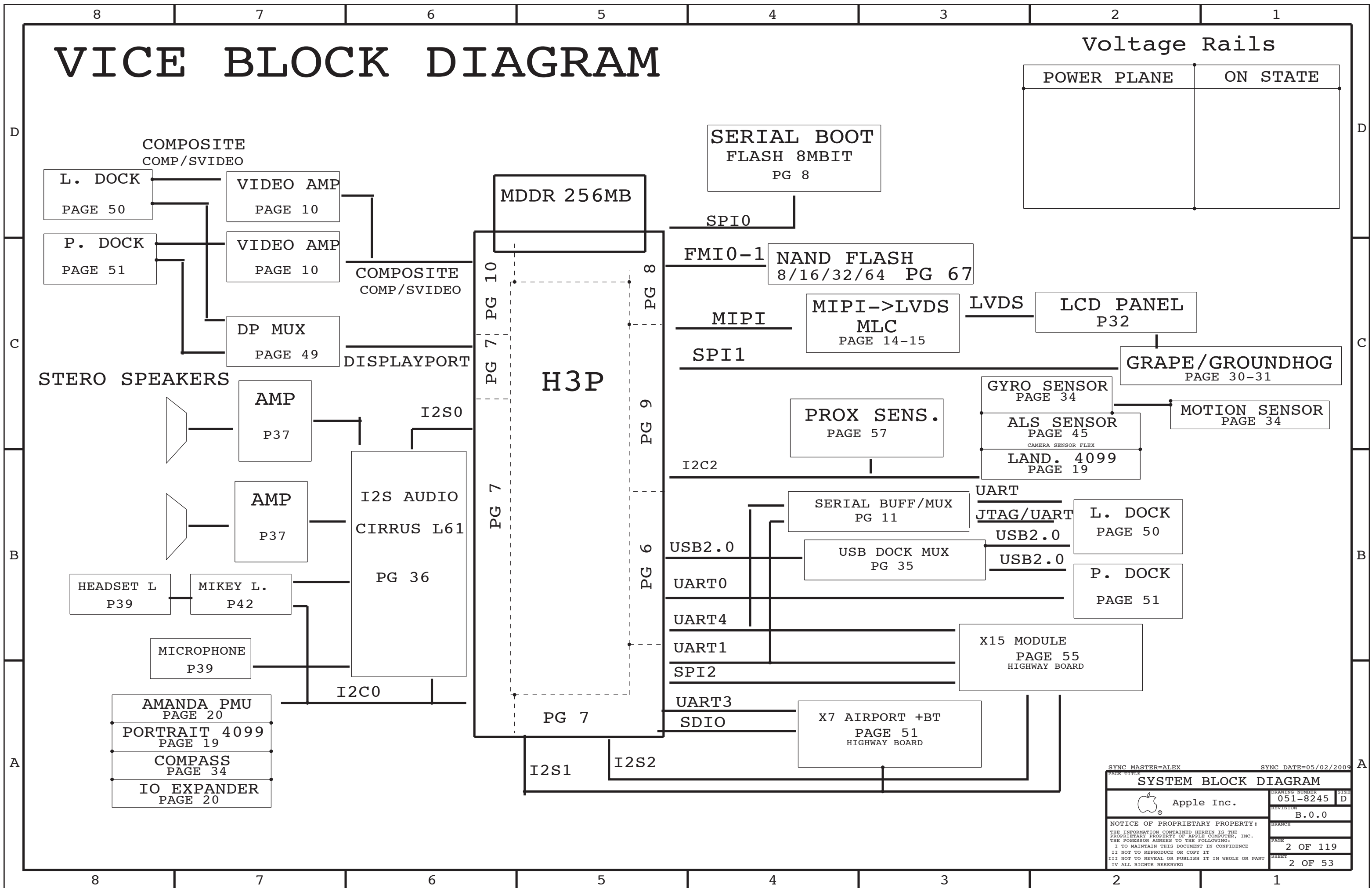




# VICE BLOCK DIAGRAM

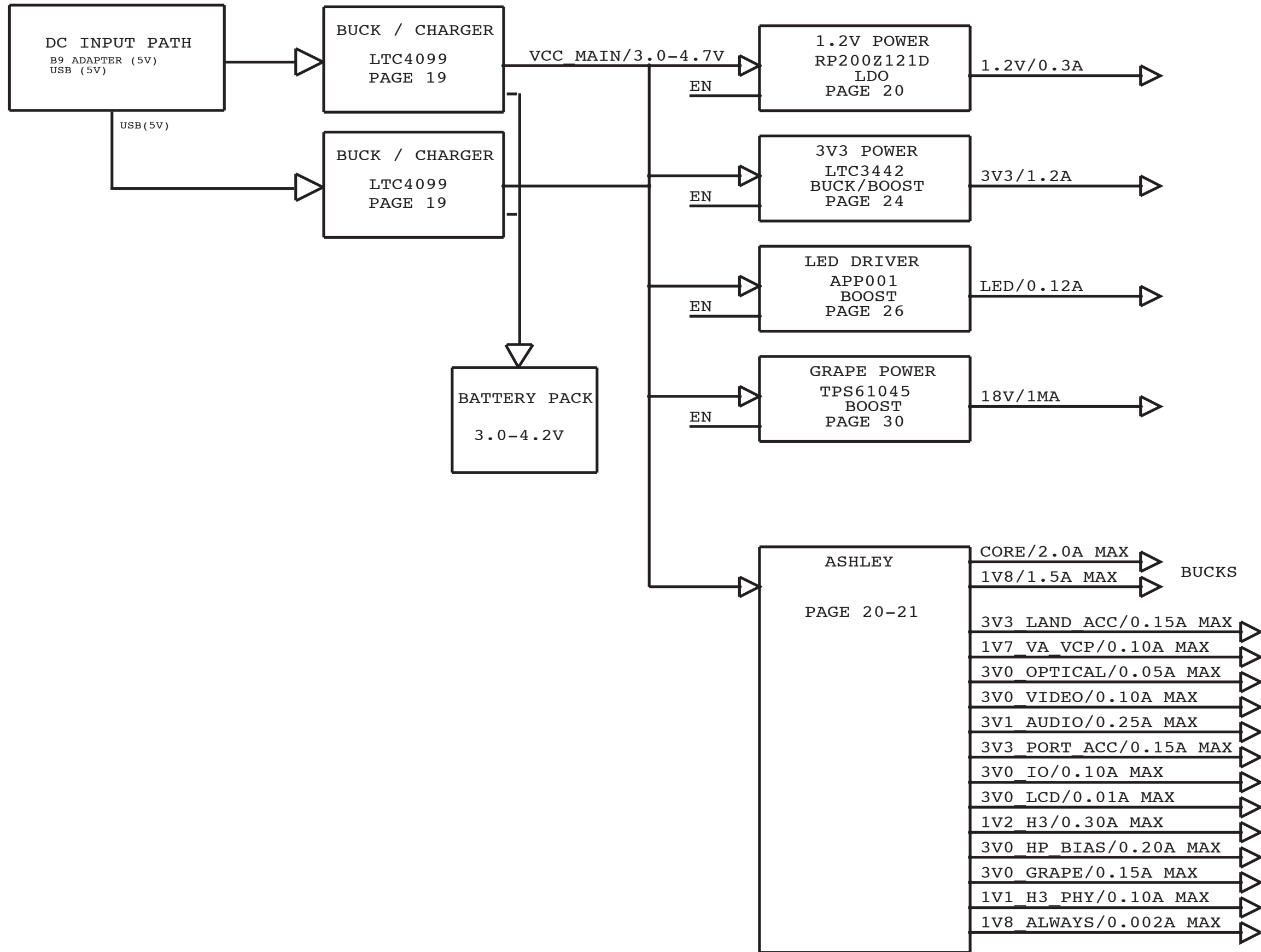
## Voltage Rails

POWER PLANE	ON STATE



PAGE TITLE		SYNC DATE=05/02/2009	
<b>SYSTEM BLOCK DIAGRAM</b>			
Apple Inc.		DRAWING NUMBER	SIZE
		051-8245	D
		REVISION	
		B.0.0	
NOTICE OF PROPRIETARY PROPERTY: THE INFORMATION CONTAINED HEREIN IS THE PROPRIETARY PROPERTY OF APPLE COMPUTER, INC. THE POSSESSOR AGREES TO THE FOLLOWING: I TO MAINTAIN THIS DOCUMENT IN CONFIDENCE II NOT TO REPRODUCE OR COPY IT III NOT TO REVEAL OR PUBLISH IT IN WHOLE OR PART IV ALL RIGHTS RESERVED		BRANCH	
		PAGE	2 OF 119
		SHEET	2 OF 53

# POWER BLOCK DIAGRAM



SYNC MASTER=MARK SYNC DATE=12/04/2009

POWER BLOCK DIAGRAM	
Apple Inc.	DRAWING NUMBER: 051-8245 SIZE: D
	REVISION: B.0.0
NOTICE OF PROPRIETARY PROPERTY: THE INFORMATION CONTAINED HEREIN IS THE PROPRIETARY PROPERTY OF APPLE COMPUTER, INC. THE POSSESSOR AGREES TO THE FOLLOWING: I TO MAINTAIN THIS DOCUMENT IN CONFIDENCE II NOT TO REPRODUCE OR COPY IT III NOT TO REVEAL OR PUBLISH IT IN WHOLE OR PART IV ALL RIGHTS RESERVED	BRANCH: PAGE: 3 OF 119 SHEET: 3 OF 53

Page Notes

Power aliases required by this page:  
(NONE)

Signal aliases required by this page:  
(NONE)

BOM options provided by this page:

ALL AVAIL BOM OPTIONS

COMMON  
ALTERNATE  
DEMUX  
32GB\_FLASH\_SAM  
32GB\_FLASH  
16GB\_FLASH  
16GB\_FLASH\_TOSH  
8GB\_FLASH  
8GB\_FLASH\_SAM  
BKLT\_PLL  
CAMERA  
JTAG\_2\_WIRE  
JTAG\_1\_WIRE  
PRODUCTION  
DEVELOPMENT  
ADD19  
MIKEY  
INTERNAL\_MIC  
LANDSCAPE\_DOCK  
LEFT\_HS  
LINE\_OUT\_1  
LINE\_OUT\_2  
PORTRAIT\_DOCK

SPEAKER

ADD DEVELOPMENT AND OTHER BOMS ONCE YOU GET BOM NUMBERS

BOM GROUP	BOM OPTIONS
BASIC	COMMON, ALTERNATE
AUDIO	LEFT_HS, SPEAKER, INTERNAL_MIC

USE SCHUTIL BOMCONFIG TO GENERATE CONFIG FILE.  
PUT CONFIG FILE AT SAME LEVEL AS .CPM FILE  
USE "READ BOM-CONFIG" BUTTON ON DMS TO READ IN BOMS

# BOM OPTIONS

PROGRAMMABLE PARTS

PART#	QTY	DESCRIPTION	REFERENCE DESIGNATOR(S)	BOM OPTION
-------	-----	-------------	-------------------------	------------

SCH AND BOARD P/N

PART#	QTY	DESCRIPTION	REFERENCE DESIGNATOR(S)	BOM OPTION
051-8245	1	SCHEM, VICE, MLB, K48	SCH1	
820-2740	1	PCBA, VICE, MLB, K48	PCB1	

PART#	QTY	DESCRIPTION	REFERENCE DESIGNATOR(S)	BOM OPTION
085-1028	1	DEV, VICE, MLB, K48	DEV1	K48_DEV
085-1133	1	DEV, VICE, MLB, K48H	DEV1	K48M_DEV

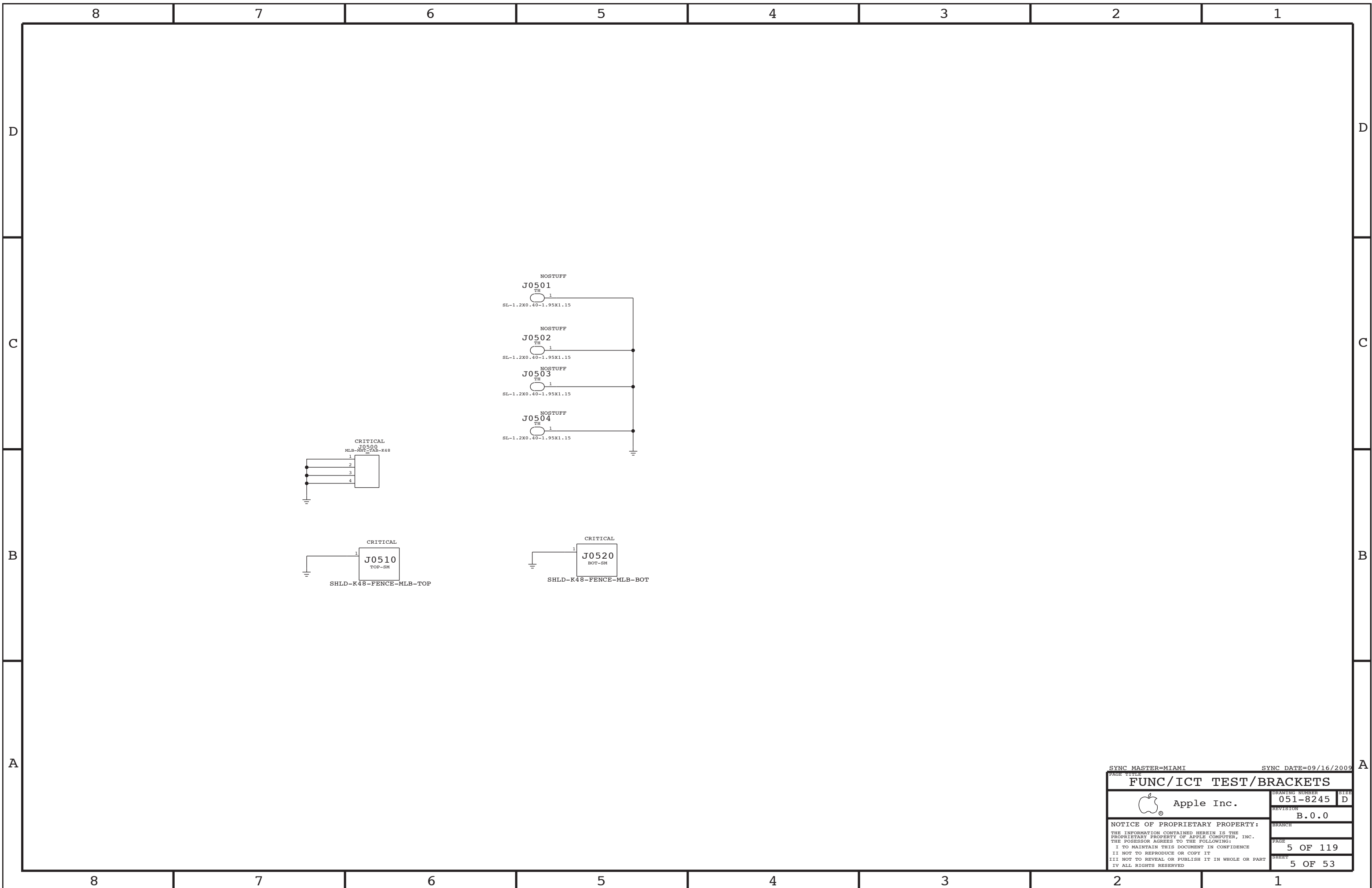
## VICE BOM OPTIONS

USE 825-6447  
NEED MORE LINE ITEMS FOR OTHER CONFIGURATIONS  
BARCODE LABEL/EEE CODES

PART#	QTY	DESCRIPTION	REFERENCE DESIGNATOR(S)	CRITICAL	BOM OPTION
825-7456	1	EEE FOR 639-0455 (16G)	EEE_BWY	CRITICAL	EEE_16G
825-7456	1	EEE FOR 639-0601 (32G)	EEE_D66	CRITICAL	EEE_32G
825-7456	1	EEE FOR 639-0598 (64G)	EEE_D61	CRITICAL	EEE_64G
825-7456	1	EEE FOR 639-0602 (16G)M	EEE_D67	CRITICAL	EEE_16G_M
825-7456	1	EEE FOR 639-0599 (32G)M	EEE_D62	CRITICAL	EEE_32G_M
825-7456	1	EEE FOR 639-0600 (64G)M	EEE_D63	CRITICAL	EEE_64G_M

SYNC MASTER=MIAMI SYNC DATE=08/06/2009

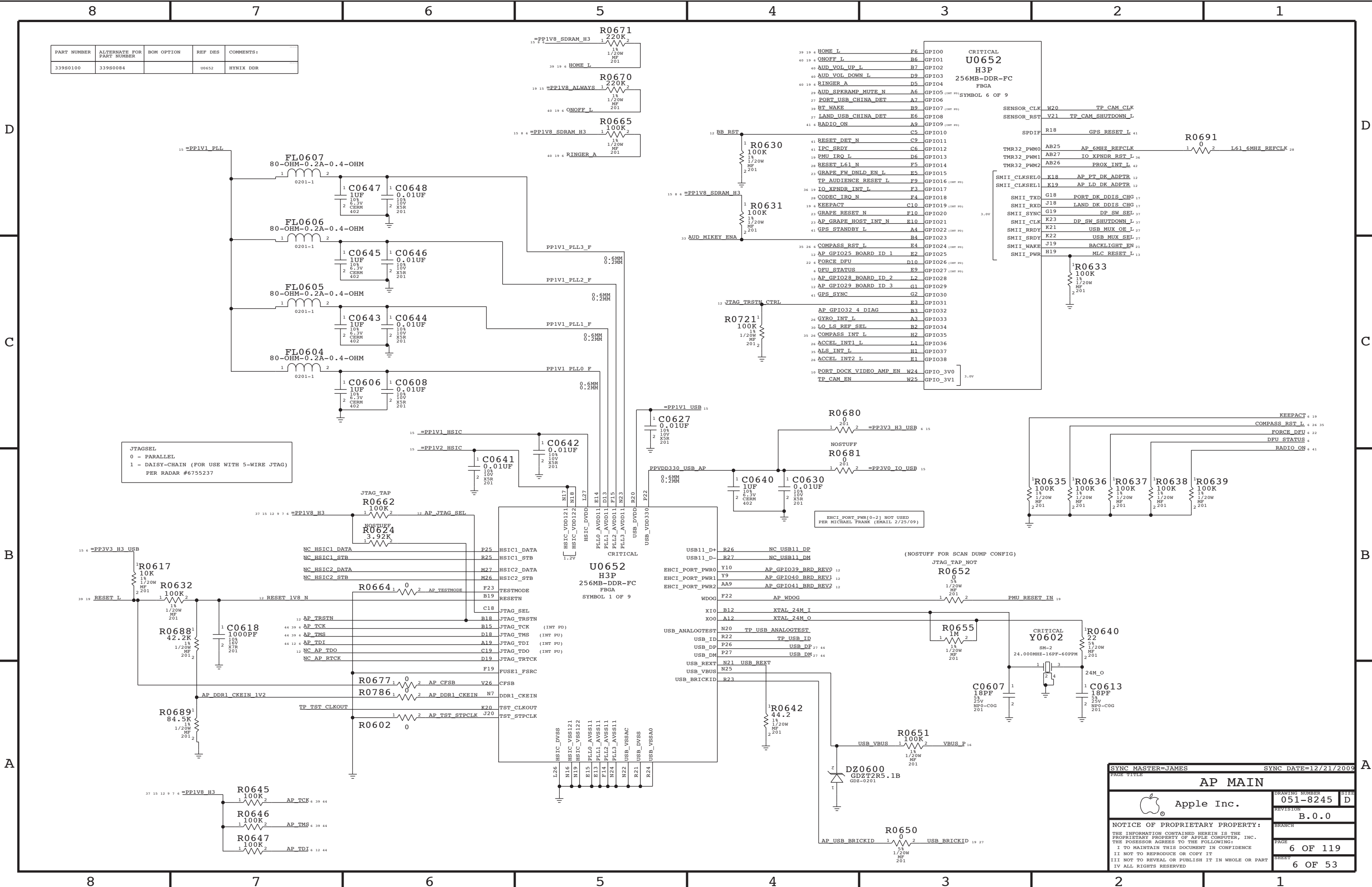
PAGE TITLE		DRAWING NUMBER	
CONFIGURATION OPTIONS		051-8245	
Apple Inc.		REVISION	
		B.0.0	
NOTICE OF PROPRIETARY PROPERTY:		BRANCH	
THE INFORMATION CONTAINED HEREIN IS THE PROPRIETARY PROPERTY OF APPLE COMPUTER, INC. THE POSSESSOR AGREES TO THE FOLLOWING:		PAGE	
I TO MAINTAIN THIS DOCUMENT IN CONFIDENCE		4 OF 119	
II NOT TO REPRODUCE OR COPY IT		SHEET	
III NOT TO REVEAL OR PUBLISH IT IN WHOLE OR PART		4 OF 53	
IV ALL RIGHTS RESERVED			



PAGE TITLE		DRAWING NUMBER		SIZE
FUNC/ICT TEST/BRACKETS		051-8245		D
REVISION		B.0.0		
BRANCH				
PAGE		5 OF 119		
SHEET		5 OF 53		

SYNC MASTER=MIAMI  
 SYNC DATE=09/16/2009  
 THE INFORMATION CONTAINED HEREIN IS THE PROPRIETARY PROPERTY OF APPLE COMPUTER, INC. THE POSSESSOR AGREES TO THE FOLLOWING:  
 I TO MAINTAIN THIS DOCUMENT IN CONFIDENCE  
 II NOT TO REPRODUCE OR COPY IT  
 III NOT TO REVEAL OR PUBLISH IT IN WHOLE OR PART  
 IV ALL RIGHTS RESERVED

PART NUMBER	ALTERNATE FOR PART NUMBER	BOM OPTION	REF DES	COMMENTS:
339S0100	339S0084		U0652	HYNIX DDR



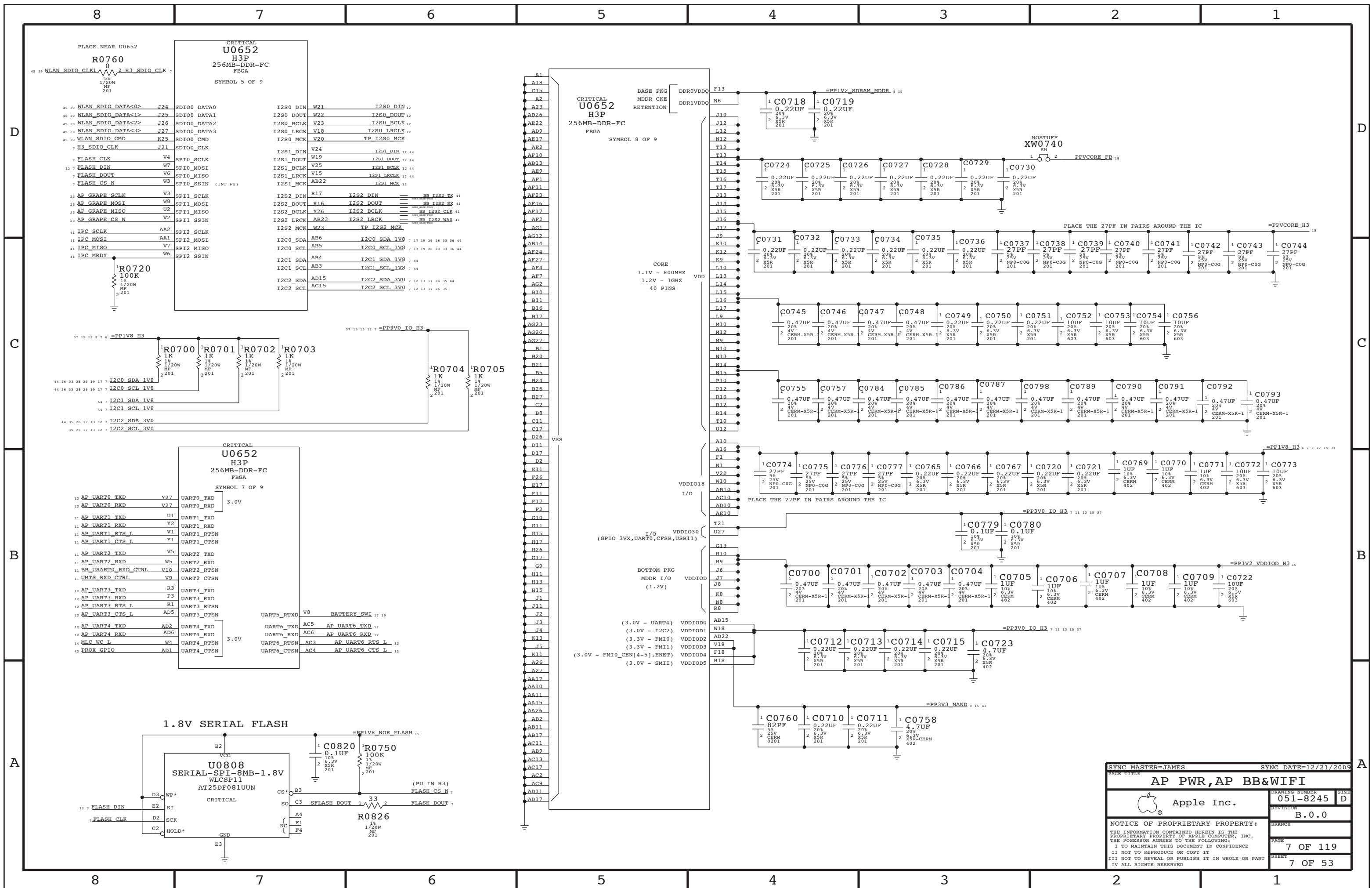
JTAGSEL  
 0 - PARALLEL  
 1 - DAISY-CHAIN (FOR USE WITH 5-WIRE JTAG)  
 PER RADAR #6755237

EHCI PORT PWR(0-2) NOT USED  
 PER MICHAEL FRANK (EMAIL 2/25/09)

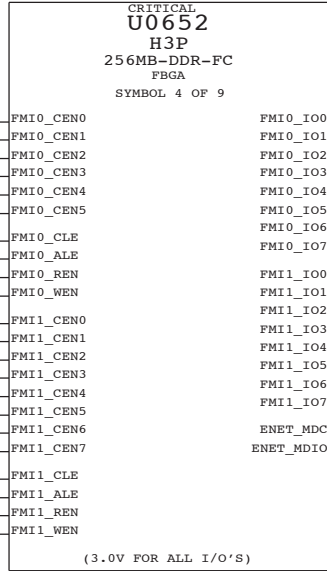
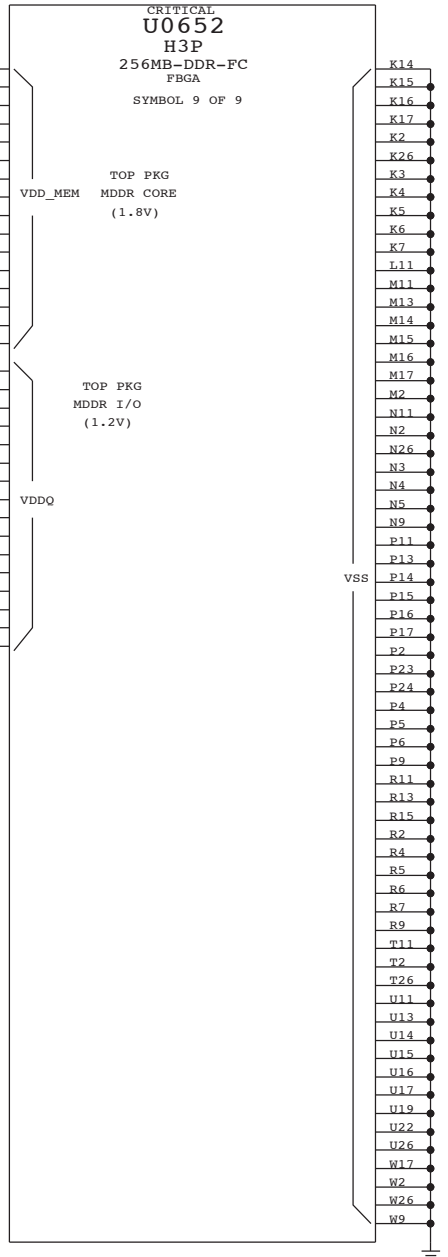
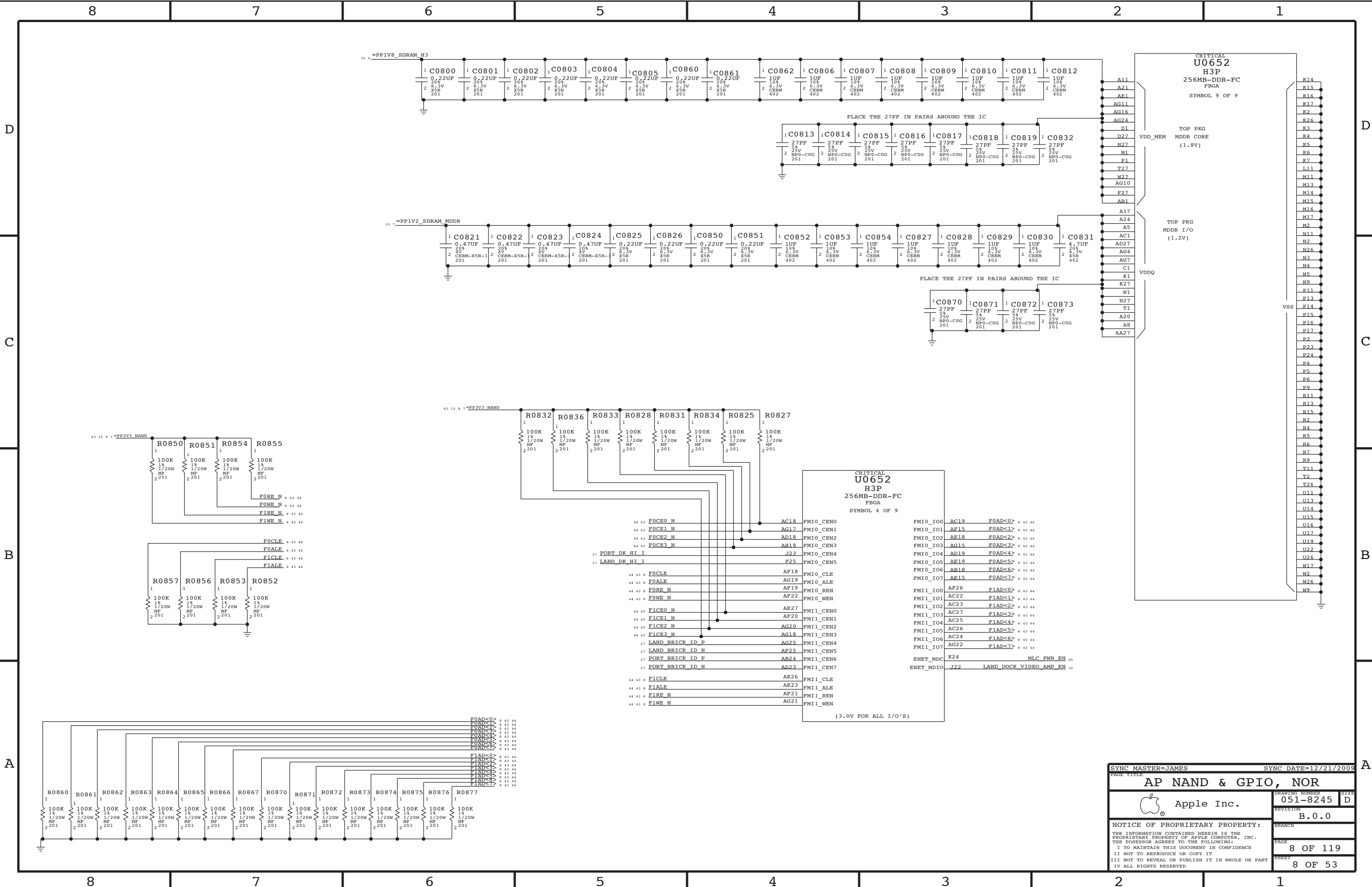
(NOSTUFF FOR SCAN DUMP CONFIG)  
 JTAG\_TAP NOT

PAGE TITLE		SYNC DATE=12/21/2009	
<b>AP MAIN</b>			
Apple Inc.		DRAWING NUMBER	SIZE
NOTICE OF PROPRIETARY PROPERTY: THE INFORMATION CONTAINED HEREIN IS THE PROPRIETARY PROPERTY OF APPLE COMPUTER, INC. THE POSSESSOR AGREES TO THE FOLLOWING: I TO MAINTAIN THIS DOCUMENT IN CONFIDENCE II NOT TO REPRODUCE OR COPY IT III NOT TO REVEAL OR PUBLISH IT IN WHOLE OR PART IV ALL RIGHTS RESERVED		051-8245	D
		REVISION	
		B.0.0	
		PAGE	
		6 OF 119	
		SHEET	
		6 OF 53	





SYNC MASTER=JAMES		SYNC DATE=12/21/2009	
PAGE TITLE			
<b>AP PWR, AP BB&amp;WiFi</b>		DRAWING NUMBER	SIZE
Apple Inc.		051-8245	D
		REVISION	
		B.0.0	
NOTICE OF PROPRIETARY PROPERTY:			
THE INFORMATION CONTAINED HEREIN IS THE PROPRIETARY PROPERTY OF APPLE COMPUTER, INC. THE POSSESSOR AGREES TO THE FOLLOWING:			
I TO MAINTAIN THIS DOCUMENT IN CONFIDENCE			
II NOT TO REPRODUCE OR COPY IT			
III NOT TO REVEAL OR PUBLISH IT IN WHOLE OR PART			
IV ALL RIGHTS RESERVED			
PAGE	7 OF 119		SHEET
			7 OF 53

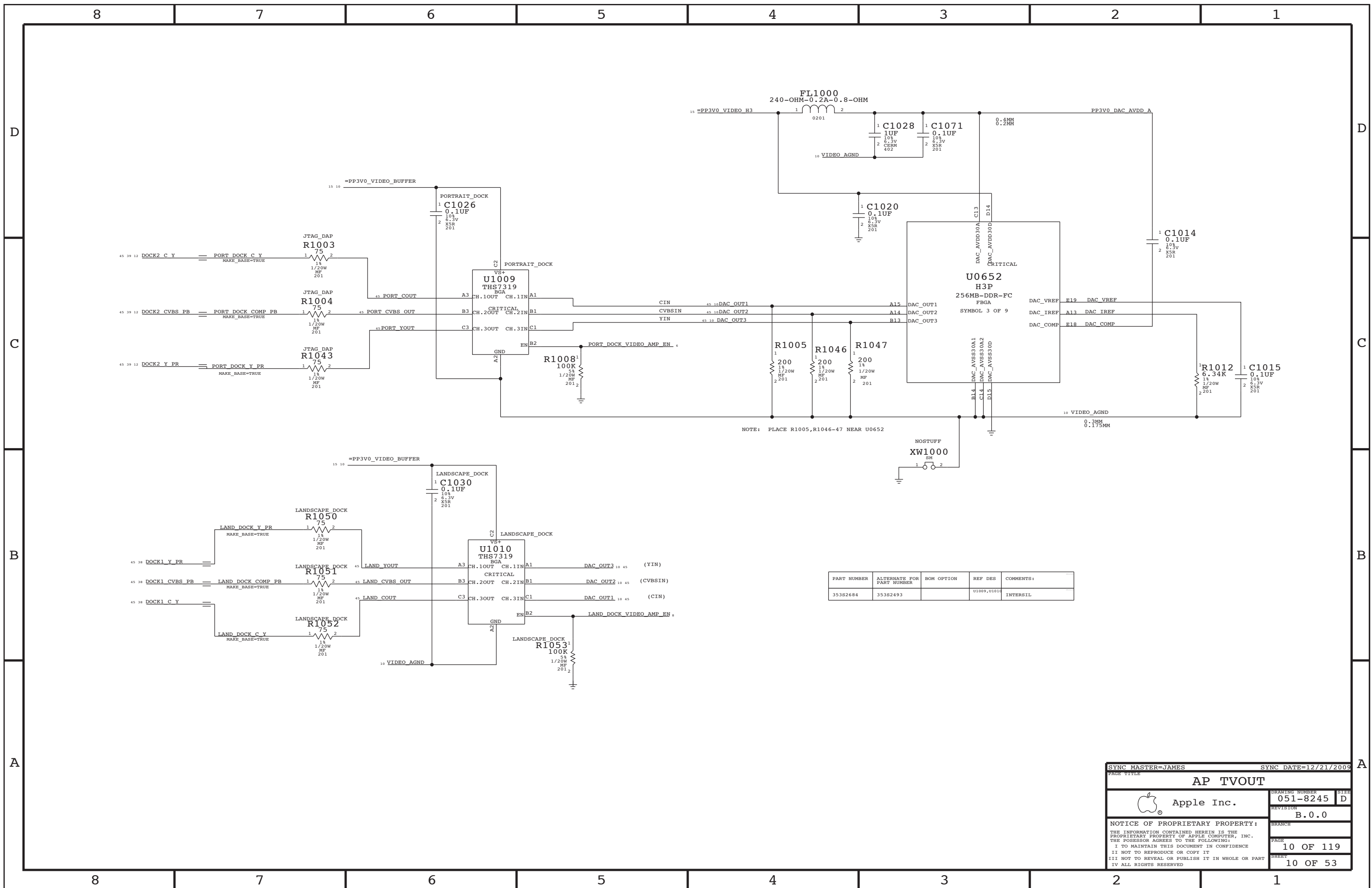


PAGE TITLE		DRAWING NUMBER	
AP NAND & GPIO, NOR		051-8245	
REVISION		SIZE	
B.0.0		D	
NOTICE OF PROPRIETARY PROPERTY:		BRANCH	
THE INFORMATION CONTAINED HEREIN IS THE PROPRIETARY PROPERTY OF APPLE COMPUTER, INC. THE POSSESSOR AGREES TO THE FOLLOWING:		PAGE	
I TO MAINTAIN THIS DOCUMENT IN CONFIDENCE		8 OF 119	
II NOT TO REPRODUCE OR COPY IT		SHEET	
III NOT TO REVEAL OR PUBLISH IT IN WHOLE OR PART		8 OF 53	
IV ALL RIGHTS RESERVED			

SYNC MASTER=JAMES SYNC DATE=12/21/2009







NOTE: PLACE R1005, R1046-47 NEAR U0652

PART NUMBER	ALTERNATE FOR PART NUMBER	BOM OPTION	REF DES	COMMENTS:
35382684	35382493		U1009, U1010	INTERSIL

SYNC MASTER=JAMES SYNC DATE=12/21/2009

**AP TVOUT**

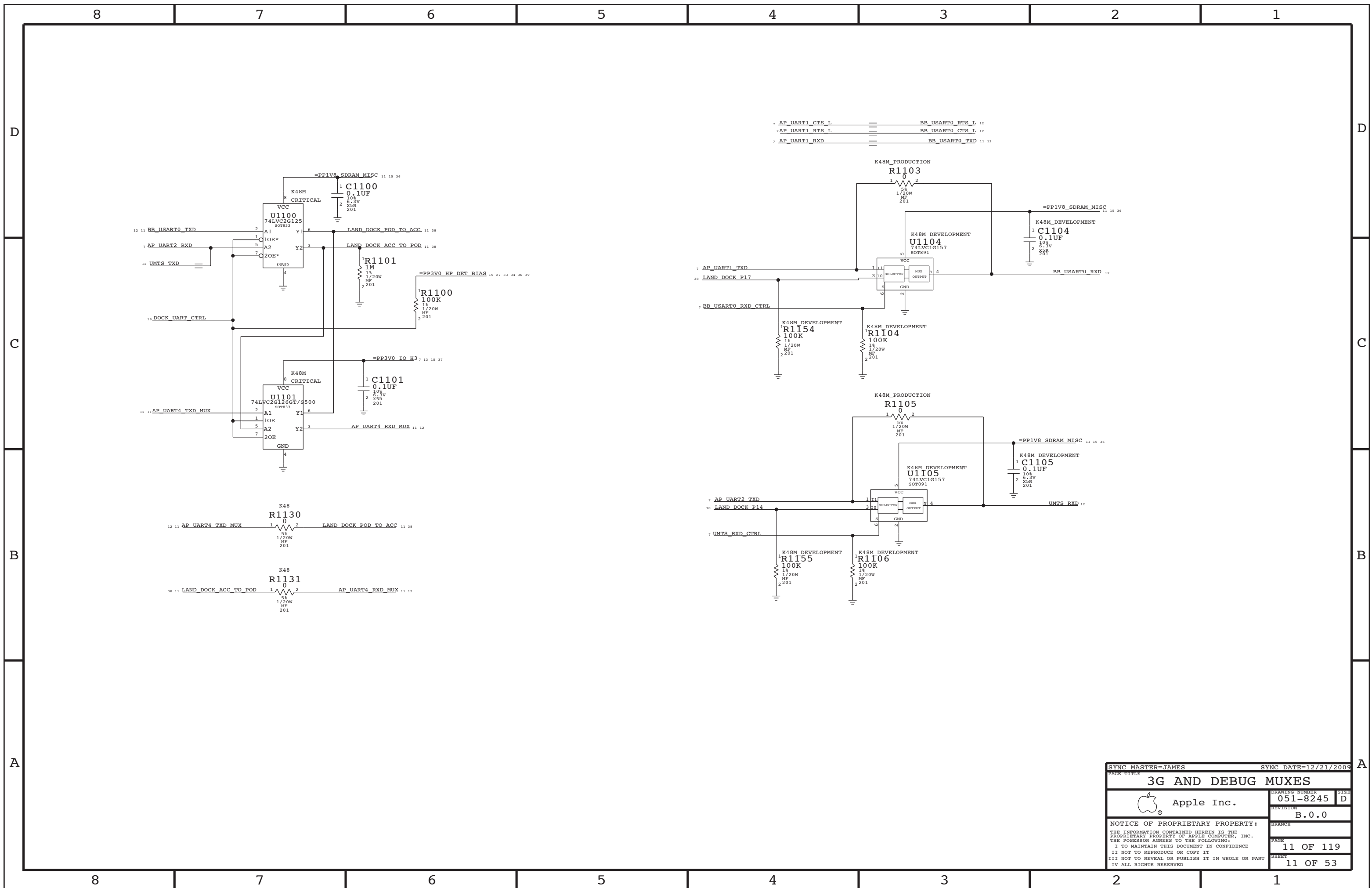
Apple Inc.

DRAWING NUMBER: 051-8245 SIZE: D

REVISION: B.0.0

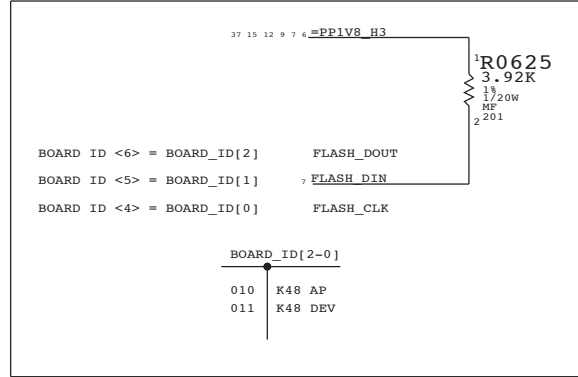
NOTICE OF PROPRIETARY PROPERTY:  
 THE INFORMATION CONTAINED HEREIN IS THE PROPRIETARY PROPERTY OF APPLE COMPUTER, INC. THE POSSESSOR AGREES TO THE FOLLOWING:  
 I TO MAINTAIN THIS DOCUMENT IN CONFIDENCE  
 II NOT TO REPRODUCE OR COPY IT  
 III NOT TO REVEAL OR PUBLISH IT IN WHOLE OR PART  
 IV ALL RIGHTS RESERVED

PAGE: 10 OF 119  
 SHEET: 10 OF 53



SYNC MASTER=JAMES		SYNC DATE=12/21/2009	
PAGE TITLE <b>3G AND DEBUG MUXES</b>			
Apple Inc.	DRAWING NUMBER	051-8245	SIZE D
	REVISION	B.0.0	
NOTICE OF PROPRIETARY PROPERTY: THE INFORMATION CONTAINED HEREIN IS THE PROPRIETARY PROPERTY OF APPLE COMPUTER, INC. THE POSSESSOR AGREES TO THE FOLLOWING: I TO MAINTAIN THIS DOCUMENT IN CONFIDENCE II NOT TO REPRODUCE OR COPY IT III NOT TO REVEAL OR PUBLISH IT IN WHOLE OR PART IV ALL RIGHTS RESERVED		BRANCH	
		PAGE	11 OF 119
		SHEET	11 OF 53

BOARD ID



ALIASES FROM PAGE 7

- 7 I2S0 DIN == AUD\_I2S\_SDOUT\_L61 28
- 7 I2S0 DOUT == AUD\_I2S\_SDIN\_L61 28
- 7 I2S0 BCLK == AUD\_I2S\_BITCLK\_L61 28
- 7 I2S0 LRCLK == AUD\_I2S\_LRC\_L61 28
- 44 I2S1 DIN == BB\_I2S1\_RX 32 41
- 44 I2S1 DOUT == BB\_I2S1\_TX 32 41
- 44 I2S1 BCLK == BB\_I2S1\_CLK 32 41
- 44 I2S1 LRCLK == BB\_I2S1\_WAG 32 41
- 7 I2S1 MCK == L61\_I2S\_MCLK 28
- 7 AP\_UART0\_TXD == PORT\_DOCK\_POD\_TO\_ACC 39
- 7 AP\_UART0\_RXD == PORT\_DOCK\_ACC\_TO\_POD 39
- 7 AP\_UART6\_TXD == GPS\_UART\_RX 41
- 7 AP\_UART6\_RXD == GPS\_UART\_TX 41
- 7 AP\_UART6\_RTS\_L == GPS\_UARTS\_CTS\_L 41
- 7 AP\_UART6\_CTS\_L == GPS\_UARTS\_RTS\_L 41

ALIASES FROM PAGE 11

- 11 BB\_USART0\_TXD == BB\_USART0\_TXD\_CONN 41
- 11 BB\_USART0\_RXD == BB\_USART0\_RXD\_CONN 41
- 11 BB\_USART0\_RTS\_L == BB\_USART0\_RTS\_L\_CONN 41
- 11 BB\_USART0\_CTS\_L == BB\_USART0\_CTS\_L\_CONN 41
- 11 UMTS\_TXD == UMTS\_TXD\_CONN 41
- 11 UMTS\_RXD == UMTS\_RXD\_CONN 41
- 7 AP\_UART4\_TXD == AP\_UART4\_TXD\_MUX 11
- 7 AP\_UART4\_RXD == AP\_UART4\_RXD\_MUX 11
- 12 AP\_GPIO41\_BRD\_REV2 == BB\_FLASH\_ACTIVE 41

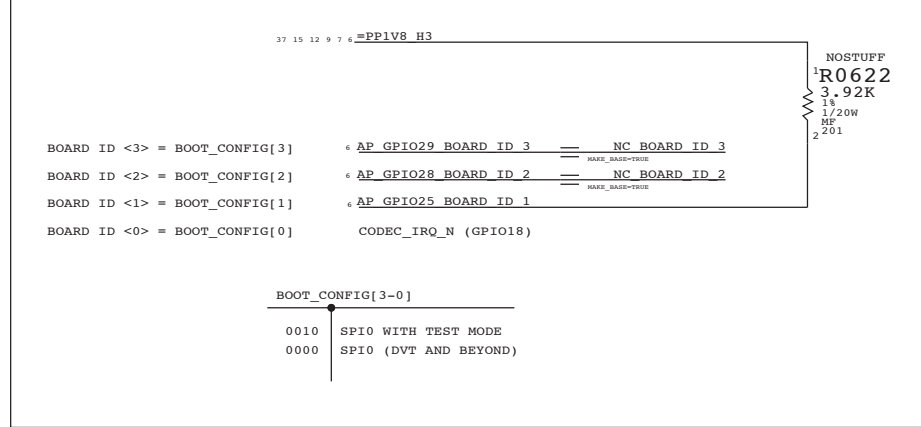
ALIASES FROM PAGE 50

- 39 LAND\_USB\_PWR == USB\_PWR\_A 16
- 39 CONN\_AP\_UART3\_RTS\_L == MAKE\_BASE=TRUE 7
- 39 CONN\_AP\_UART3\_CTS\_L == MAKE\_BASE=TRUE 7
- 39 CONN\_AP\_UART3\_TXD == MAKE\_BASE=TRUE 7
- 39 CONN\_AP\_UART3\_RXD == MAKE\_BASE=TRUE 7

ALIASES FROM PAGE 51

- AP\_UART3\_RTS\_L == MAKE\_BASE=TRUE 7
- AP\_UART3\_CTS\_L == MAKE\_BASE=TRUE 7
- AP\_UART3\_TXD == MAKE\_BASE=TRUE 7
- AP\_UART3\_RXD == MAKE\_BASE=TRUE 7

BOOT CONFIG ID

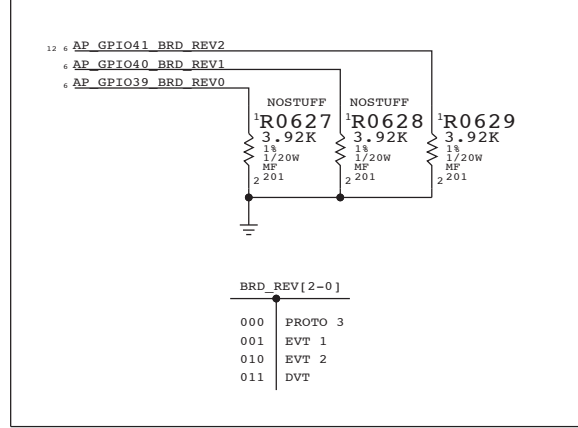


- 6 BB\_RST == BB\_RST\_RADIO 41

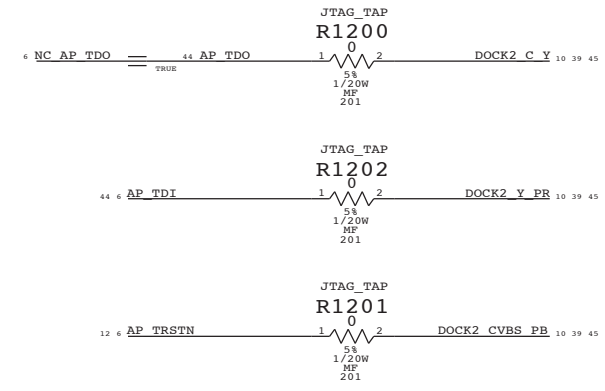
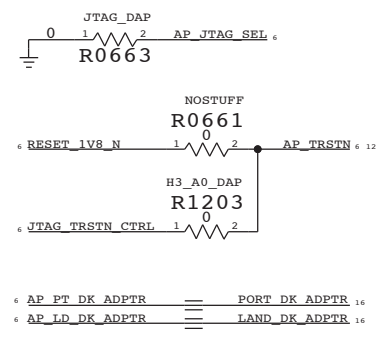
ALIASES FOR PAGE 57

- 42 PROX\_SDA\_3V0 == I2C2\_SDA\_3V0 7 13 17 26 35 44
- 42 PROX\_SCL\_3V0 == I2C2\_SCL\_3V0 7 13 17 26 35
- 42 PROX\_ACSHIELD\_CONN == PROX\_ACSHIELD 42

BOARD REVISION



NOTE: JTAG SCAN DUMP



FOR REFERENCE

0000 SPI0	BOARD_ID[2:0]
0001 SPI1	010 K48AP
0010 SPI0 W/TEST	011 K48 DEV
0011 SPI1 W/TEST	
0100 FMIO 2CS	BOARD_REV[2:0]
0101 FMIO 4CS	000 PROTO3
0110 FMIO 4CS W/TEST	
0111 RESERVED	
1000 FMIO 2 CS	
1001 FMIO 4 CS	
1010 FMIO 4CS W/TEST	
1100 FMIO/1 2/2 CS	
1101 FMIO/1 4/4 CS	
1110 FMIO/1 4/4 CS W/TEST	
1111 RESERVED	

SYNC MASTER=JAMES SYNC DATE=12/21/2009

AP MISC & ALIASES

Apple Inc.

051-8245 D

REVISION B.0.0

NOTICE OF PROPRIETARY PROPERTY:

THE INFORMATION CONTAINED HEREIN IS THE PROPRIETARY PROPERTY OF APPLE COMPUTER, INC. THE POSSESSOR AGREES TO THE FOLLOWING:

I TO MAINTAIN THIS DOCUMENT IN CONFIDENCE

II NOT TO REPRODUCE OR COPY IT

III NOT TO REVEAL OR PUBLISH IT IN WHOLE OR PART

IV ALL RIGHTS RESERVED

12 OF 119

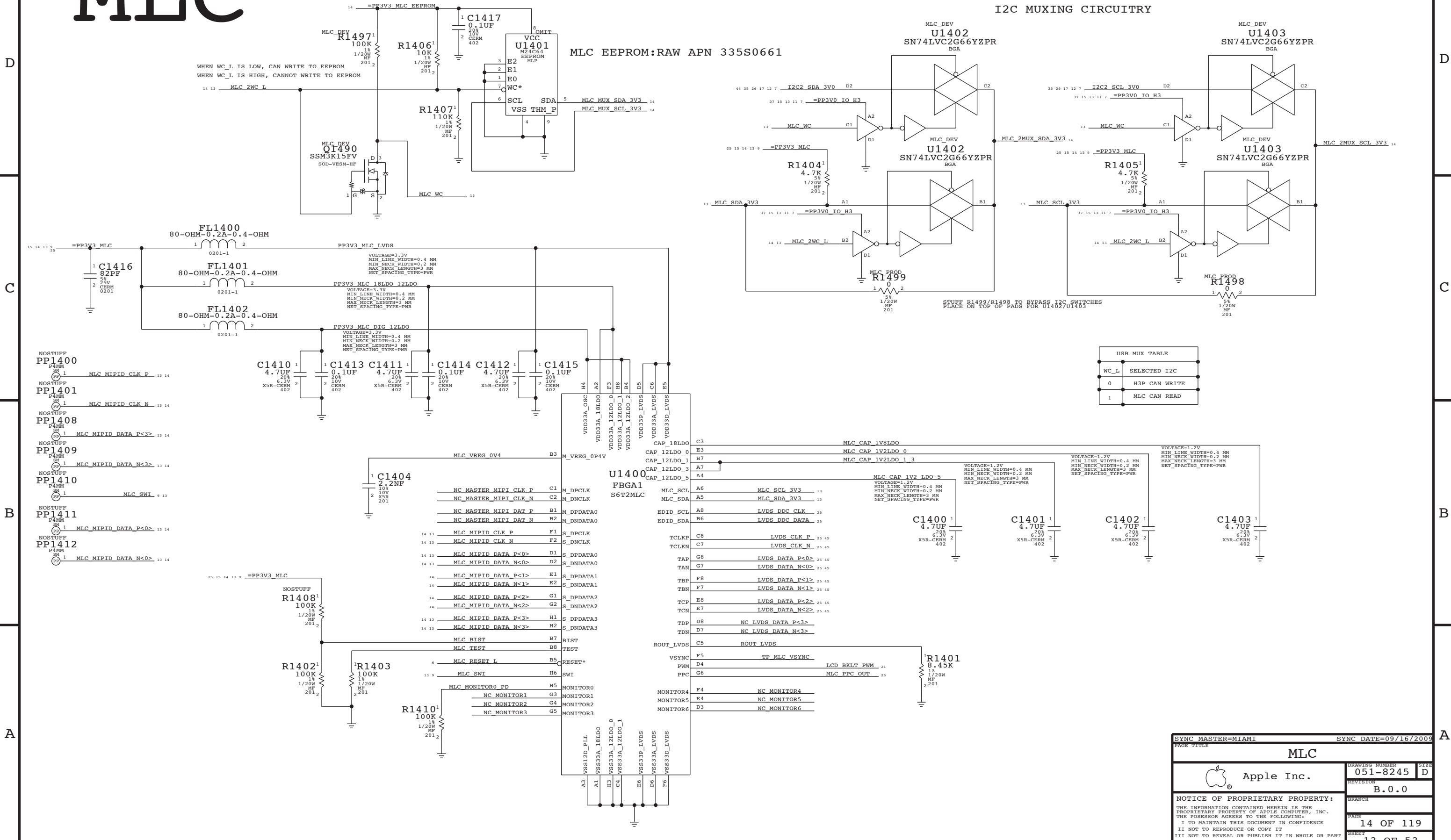
12 OF 53

# MLC

PART#	QTY	DESCRIPTION	REFERENCE DESIGNATOR(S)	CRITICAL	BOM OPTION
34182604	1	MLC EEPROM 54MHZ LVDS,2MHZ SW	U1401	CRITICAL	54MHZ_PANEL
34182606	1	MLC EEPROM 100MHZ LVDS,2MHZ SW	U1401	CRITICAL	100MHZ_PANEL

## MLC EEPROM:RAW APN 335S0661

## I2C MUXING CIRCUITRY



WC_L	SELECTED I2C
0	H3P CAN WRITE
1	MLC CAN READ

SYNC MASTER=MIAMI SYNC DATE=09/16/2009

**MLC**

Apple Inc.

DRAWING NUMBER: 051-8245 SIZE: D

REVISION: B.0.0

NOTICE OF PROPRIETARY PROPERTY:  
 THE INFORMATION CONTAINED HEREIN IS THE PROPRIETARY PROPERTY OF APPLE COMPUTER, INC. THE POSSESSOR AGREES TO THE FOLLOWING:  
 I TO MAINTAIN THIS DOCUMENT IN CONFIDENCE  
 II NOT TO REPRODUCE OR COPY IT  
 III NOT TO REVEAL OR PUBLISH IT IN WHOLE OR PART  
 IV ALL RIGHTS RESERVED

PAGE: 14 OF 119  
 SHEET: 13 OF 53


# MLC ALIASES

```

45 9 H3 MIPID_CLK_P == MLC MIPID_CLK_P 13
45 9 H3 MIPID_CLK_N MAKE_BASE=TRUE == MLC MIPID_CLK_N 13
45 9 H3 MIPID_DATA_P<0> MAKE_BASE=TRUE == MLC MIPID_DATA_P<0> 13
45 9 H3 MIPID_DATA_N<0> MAKE_BASE=TRUE == MLC MIPID_DATA_N<0> 13
45 9 H3 MIPID_DATA_P<1> MAKE_BASE=TRUE == MLC MIPID_DATA_P<1> 13
45 9 H3 MIPID_DATA_N<1> MAKE_BASE=TRUE == MLC MIPID_DATA_N<1> 13
45 9 H3 MIPID_DATA_P<2> MAKE_BASE=TRUE == MLC MIPID_DATA_P<2> 13
45 9 H3 MIPID_DATA_N<2> MAKE_BASE=TRUE == MLC MIPID_DATA_N<2> 13
45 9 H3 MIPID_DATA_P<3> MAKE_BASE=TRUE == MLC MIPID_DATA_P<3> 13
45 9 H3 MIPID_DATA_N<3> MAKE_BASE=TRUE == MLC MIPID_DATA_N<3> 13

13 MLC_MUX_SDA_3V3 == MLC_2MUX_SDA_3V3 13
13 MLC_MUX_SCL_3V3 MAKE_BASE=TRUE == MLC_2MUX_SCL_3V3 13
13 MLC_2WC_L MAKE_BASE=TRUE == MLC_WC_L 7
13 =PP3V3_MLC_EEPROM MAKE_BASE=TRUE ==PP3V3_MLC 9 13 15 25

```

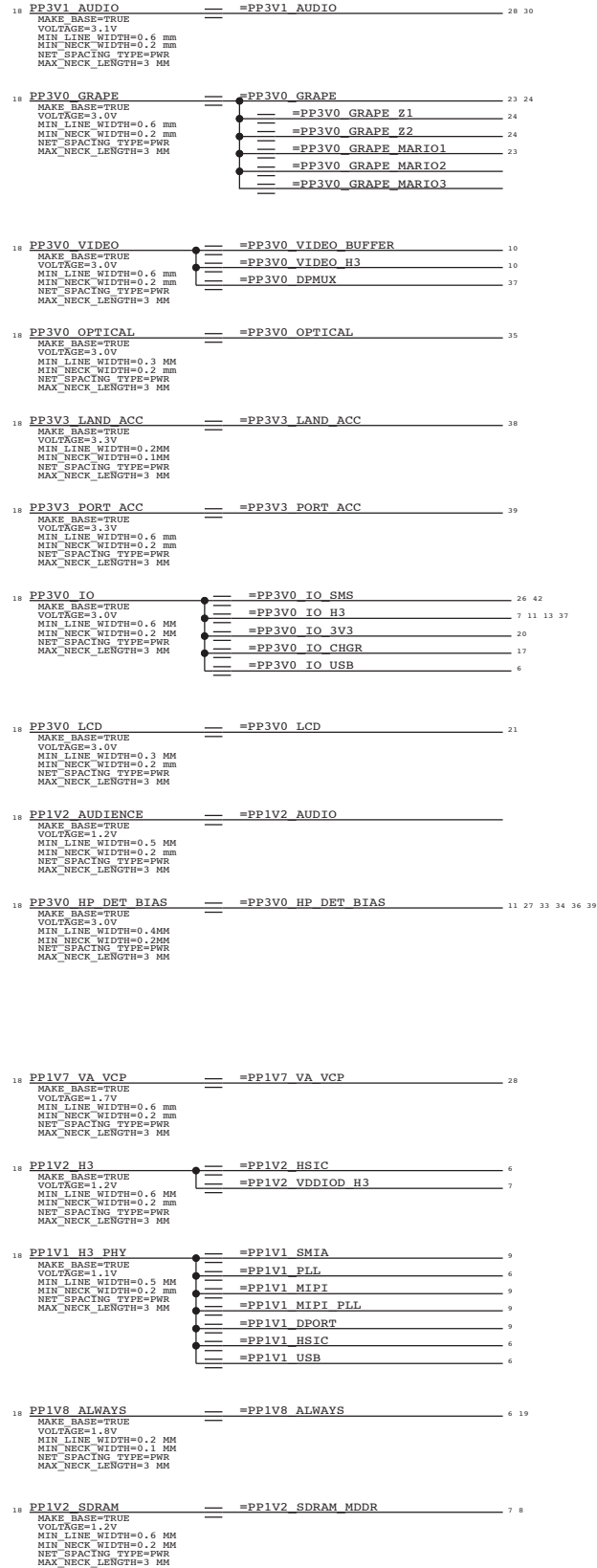
SYNC MASTER=MIAMI		SYNC DATE=09/16/2009	
PAGE TITLE			
<b>MLC ALIASES</b>			
 Apple Inc.		DRAWING NUMBER	051-8245
		REVISION	B.0.0
NOTICE OF PROPRIETARY PROPERTY: THE INFORMATION CONTAINED HEREIN IS THE PROPRIETARY PROPERTY OF APPLE COMPUTER, INC. THE POSSESSOR AGREES TO THE FOLLOWING: I TO MAINTAIN THIS DOCUMENT IN CONFIDENCE II NOT TO REPRODUCE OR COPY IT III NOT TO REVEAL OR PUBLISH IT IN WHOLE OR PART IV ALL RIGHTS RESERVED		BRANCH	
		PAGE	15 OF 119
		SHEET	14 OF 53
		SIZE	D



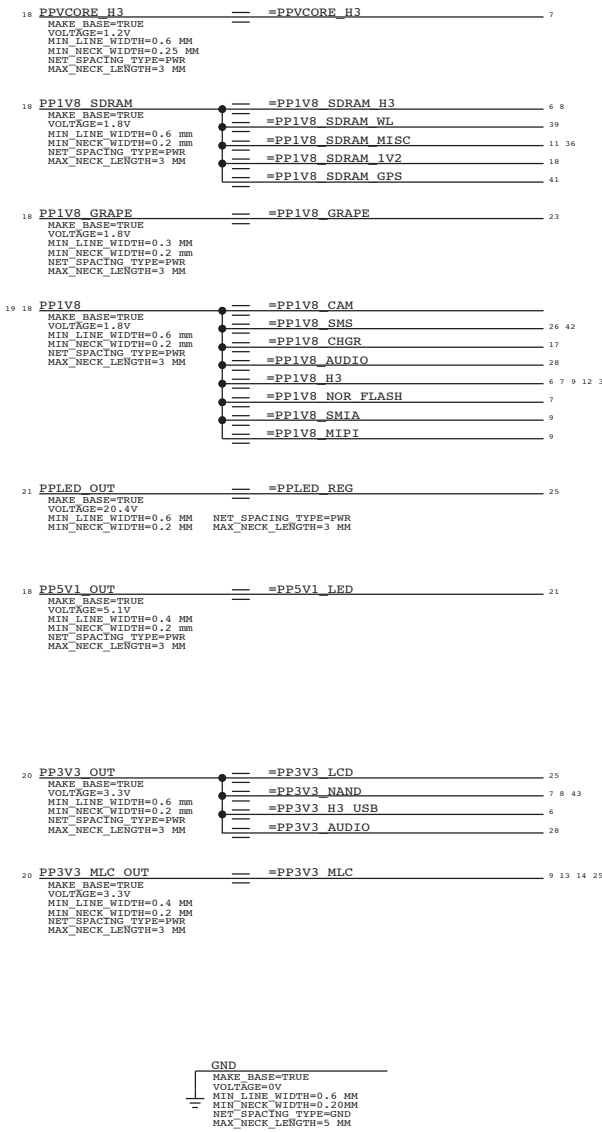
# POWER CONN / ALIAS

## LDO RAILS

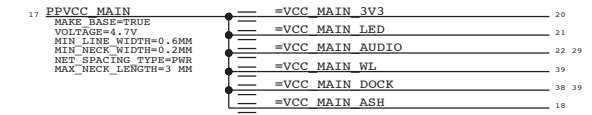
PROGRAMMABLE ON/OFF



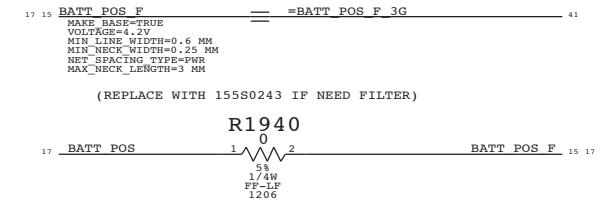
## BUCK RAILS



## CHARGER MAIN



## BATTERY

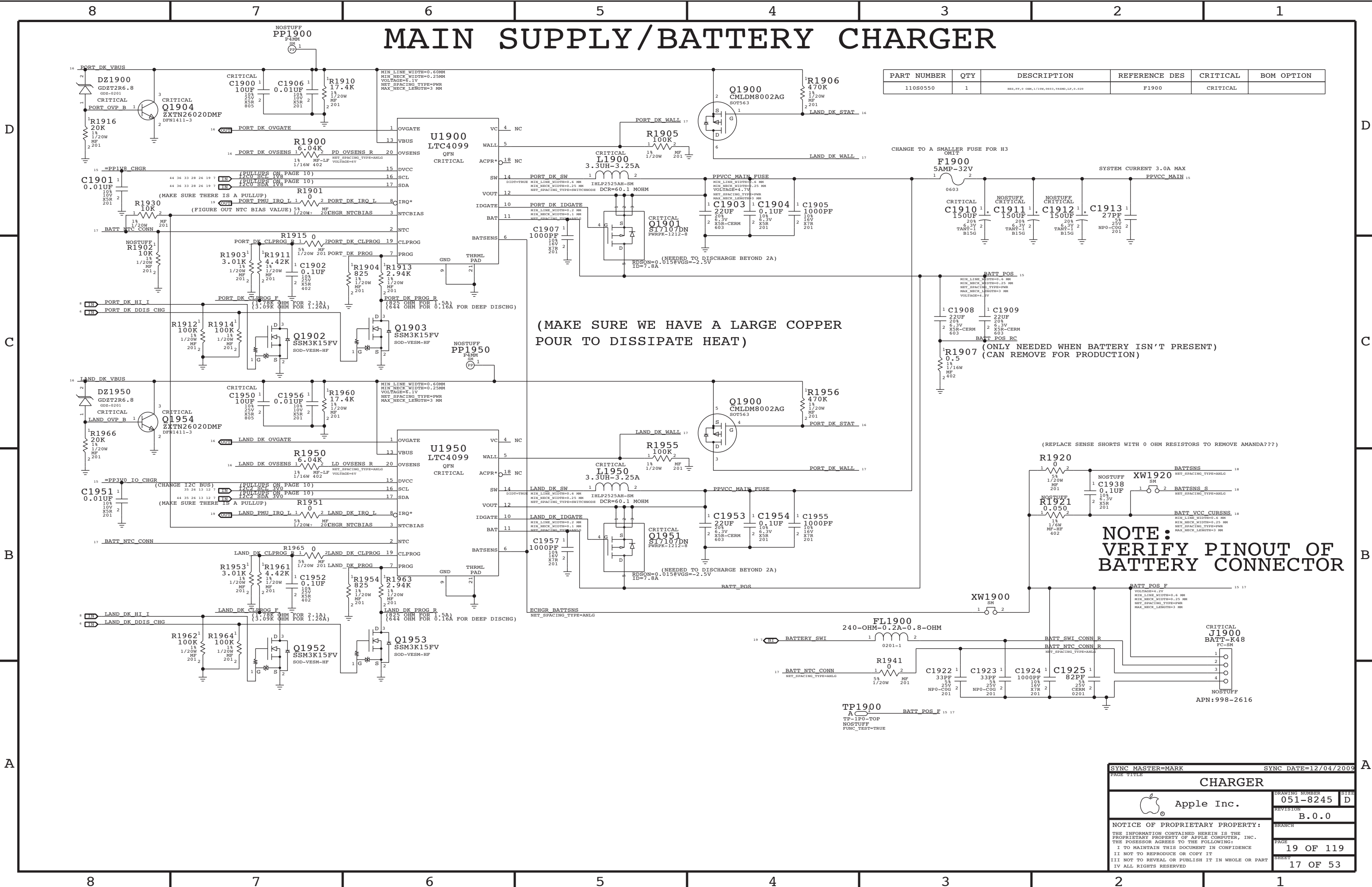


PAGE TITLE		DRAWING NUMBER		SIZE
Power Conn / Alias		051-8245		D
REVISION		BRANCH		
B.0.0				
NOTICE OF PROPRIETARY PROPERTY:				
THE INFORMATION CONTAINED HEREIN IS THE PROPRIETARY PROPERTY OF APPLE COMPUTER, INC. THE POSSESSOR AGREES TO THE FOLLOWING:				
I TO MAINTAIN THIS DOCUMENT IN CONFIDENCE				
II NOT TO REPRODUCE OR COPY IT				
III NOT TO REVEAL OR PUBLISH IT IN WHOLE OR PART				
IV ALL RIGHTS RESERVED				
PAGE		SHEET		
17 OF 119		15 OF 53		



# MAIN SUPPLY/BATTERY CHARGER

PART NUMBER	QTY	DESCRIPTION	REFERENCE DES	CRITICAL	BOM OPTION
11080550	1	REG.PP.0 00M,1/100,003,1938M,LP.0.020	F1900	CRITICAL	

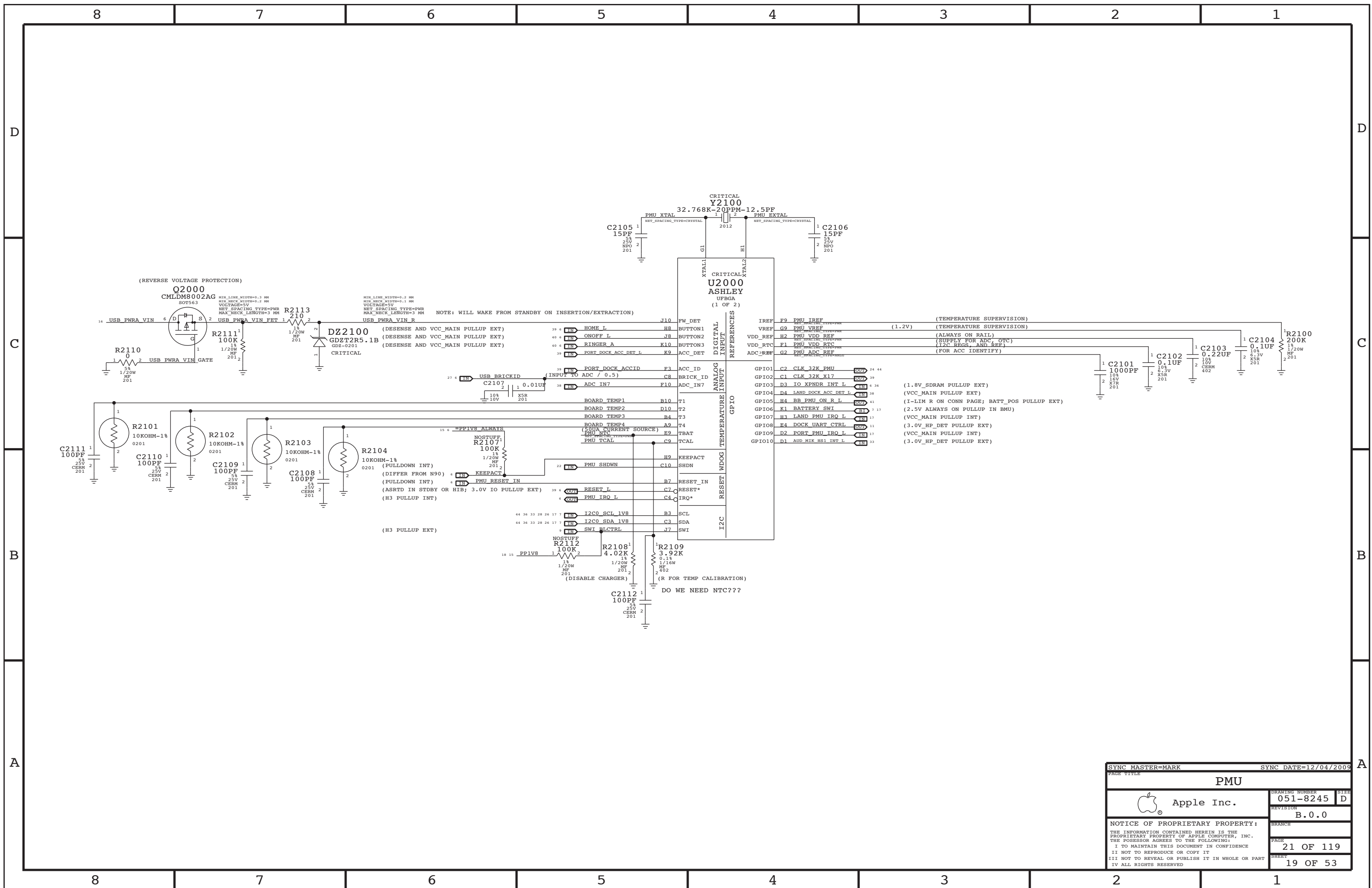


(MAKE SURE WE HAVE A LARGE COPPER POUR TO DISSIPATE HEAT)

NOTE: VERIFY PINOUT OF BATTERY CONNECTOR

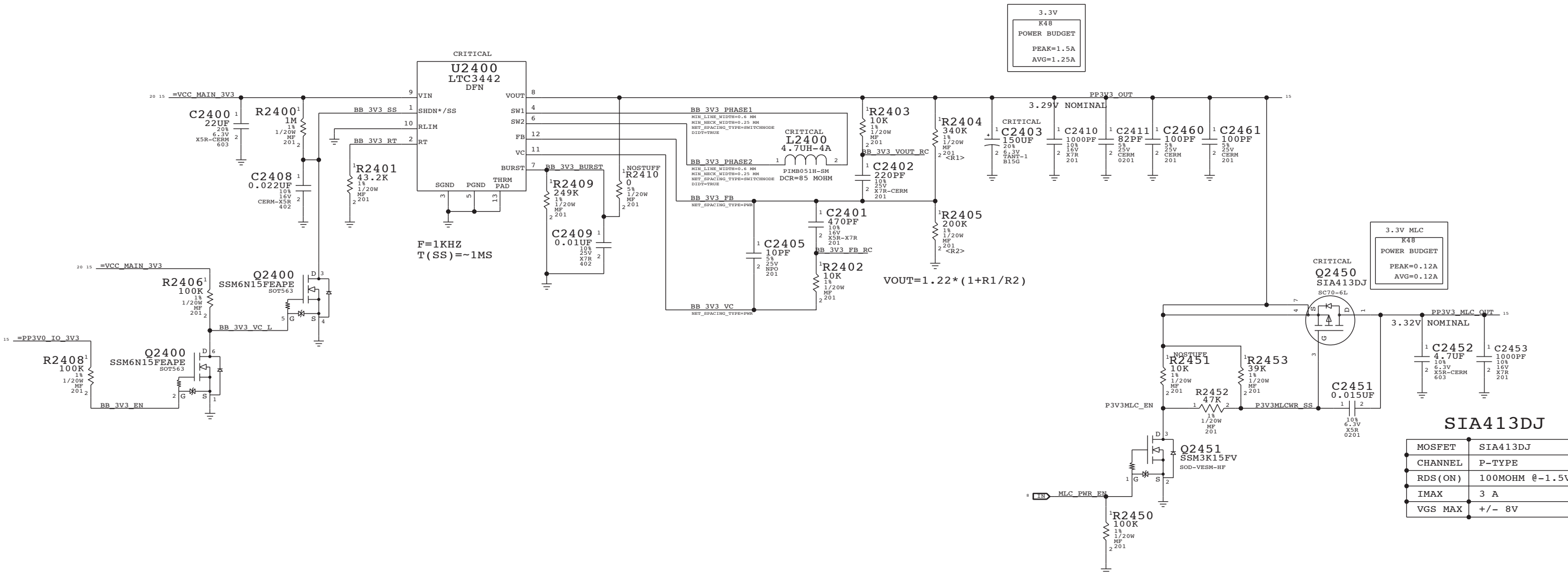
SYNC MASTER=MARK		SYNC DATE=12/04/2009	
<b>CHARGER</b>			
Apple Inc.		DRAWING NUMBER	SIZE
Apple Logo		051-8245	D
NOTICE OF PROPRIETARY PROPERTY: THE INFORMATION CONTAINED HEREIN IS THE PROPRIETARY PROPERTY OF APPLE COMPUTER, INC. THIS POSSESSOR AGREES TO THE FOLLOWING: I TO MAINTAIN THIS DOCUMENT IN CONFIDENCE II NOT TO REPRODUCE OR COPY IT III NOT TO REVEAL OR PUBLISH IT IN WHOLE OR PART IV ALL RIGHTS RESERVED		REVISION	BRANCH
		B.0.0	
		PAGE	SHEET
		19 OF 119	17 OF 53





SYNC MASTER=MARK		SYNC DATE=12/04/2009	
PMU			
Apple Inc.		DRAWING NUMBER	SIZE
		051-8245	D
		REVISION	
		B.0.0	
NOTICE OF PROPRIETARY PROPERTY:			
THE INFORMATION CONTAINED HEREIN IS THE PROPRIETARY PROPERTY OF APPLE COMPUTER, INC. THE POSSESSOR AGREES TO THE FOLLOWING:			
I TO MAINTAIN THIS DOCUMENT IN CONFIDENCE			
II NOT TO REPRODUCE OR COPY IT			
III NOT TO REVEAL OR PUBLISH IT IN WHOLE OR PART			
IV ALL RIGHTS RESERVED			
		PAGE	
		21 OF 119	
		SHEET	
		19 OF 53	

# 3.3V SUPPLY



**SIA413DJ**

MOSFET	SIA413DJ
CHANNEL	P-TYPE
RDS (ON)	100MOHM @-1.5V
IMAX	3 A
VGS MAX	+/- 8V

SYNC MASTER=MARK SYNC DATE=12/04/2009

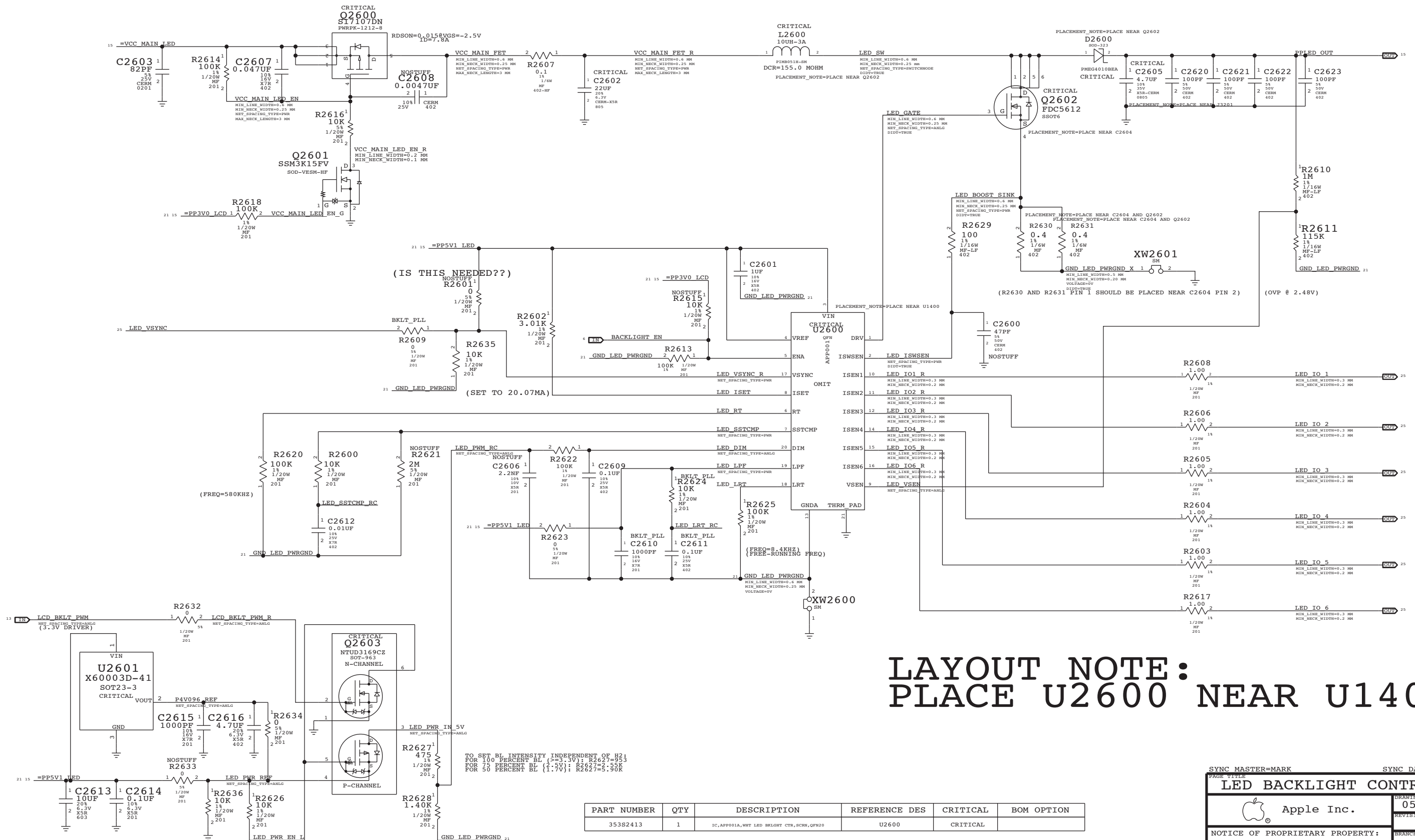
PAGE TITLE		3.3V SUPPLY	
DRAWING NUMBER		051-8245	SIZE D
REVISION		B.0.0	
BRANCH			
PAGE		24 OF 119	
SHEET		20 OF 53	

Apple Inc.

NOTICE OF PROPRIETARY PROPERTY:  
 THE INFORMATION CONTAINED HEREIN IS THE PROPRIETARY PROPERTY OF APPLE COMPUTER, INC. THE POSSESSOR AGREES TO THE FOLLOWING:  
 I TO MAINTAIN THIS DOCUMENT IN CONFIDENCE  
 II NOT TO REPRODUCE OR COPY IT  
 III NOT TO REVEAL OR PUBLISH IT IN WHOLE OR PART  
 IV ALL RIGHTS RESERVED



# LED BOOST/BACKLIGHT CONTROLLER



**LAYOUT NOTE:**  
PLACE U2600 NEAR U1400

TO SET BL INTENSITY INDEPENDENT OF H<sub>2</sub>  
FOR 100 PERCENT BL (2.5V): R2627=953  
FOR 75 PERCENT BL (1.5V): R2627=2.55K  
FOR 50 PERCENT BL (1.7V): R2627=5.90K

PART NUMBER	QTY	DESCRIPTION	REFERENCE DES	CRITICAL	BOM OPTION
353S2413	1	IC,APP001A,MHT LED BKLGHT CTR,SCRH,OPR20	U2600	CRITICAL	

SYNC MASTER=MARK SYNC DATE=12/04/2009

**LED BACKLIGHT CONTROLLER**

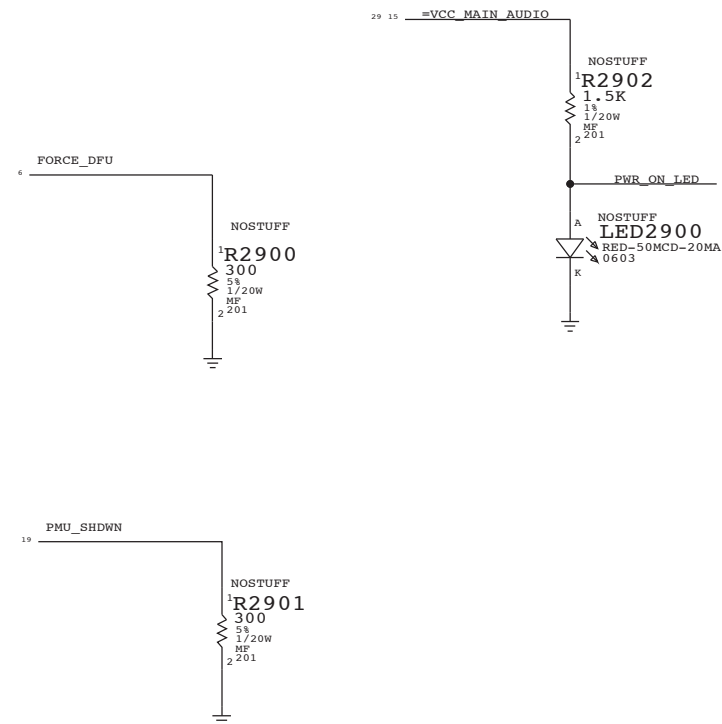
Apple Inc.

DRAWING NUMBER: 051-8245  
REVISION: B.0.0

NOTICE OF PROPRIETARY PROPERTY:  
THE INFORMATION CONTAINED HEREIN IS THE PROPRIETARY PROPERTY OF APPLE COMPUTER, INC. THE POSSESSOR AGREES TO THE FOLLOWING:  
I TO MAINTAIN THIS DOCUMENT IN CONFIDENCE  
II NOT TO REPRODUCE OR COPY IT  
III NOT TO REVEAL OR PUBLISH IT IN WHOLE OR PART  
IV ALL RIGHTS RESERVED

PAGE: 26 OF 119  
SHEET: 21 OF 53

# DEBUG RESET ACCESS



PAGE TITLE		DRAWING NUMBER		SIZE	
DEBUG RESET ACCESS		051-8245		D	
Apple Inc.		REVISION		B.0.0	
NOTICE OF PROPRIETARY PROPERTY:		BRANCH		PAGE	
THE INFORMATION CONTAINED HEREIN IS THE PROPRIETARY PROPERTY OF APPLE COMPUTER, INC. THE POSSESSOR AGREES TO THE FOLLOWING:		I TO MAINTAIN THIS DOCUMENT IN CONFIDENCE		29 OF 119	
II NOT TO REPRODUCE OR COPY IT		SHEET		22 OF 53	
III NOT TO REVEAL OR PUBLISH IT IN WHOLE OR PART		IV ALL RIGHTS RESERVED			

D

D

C

C

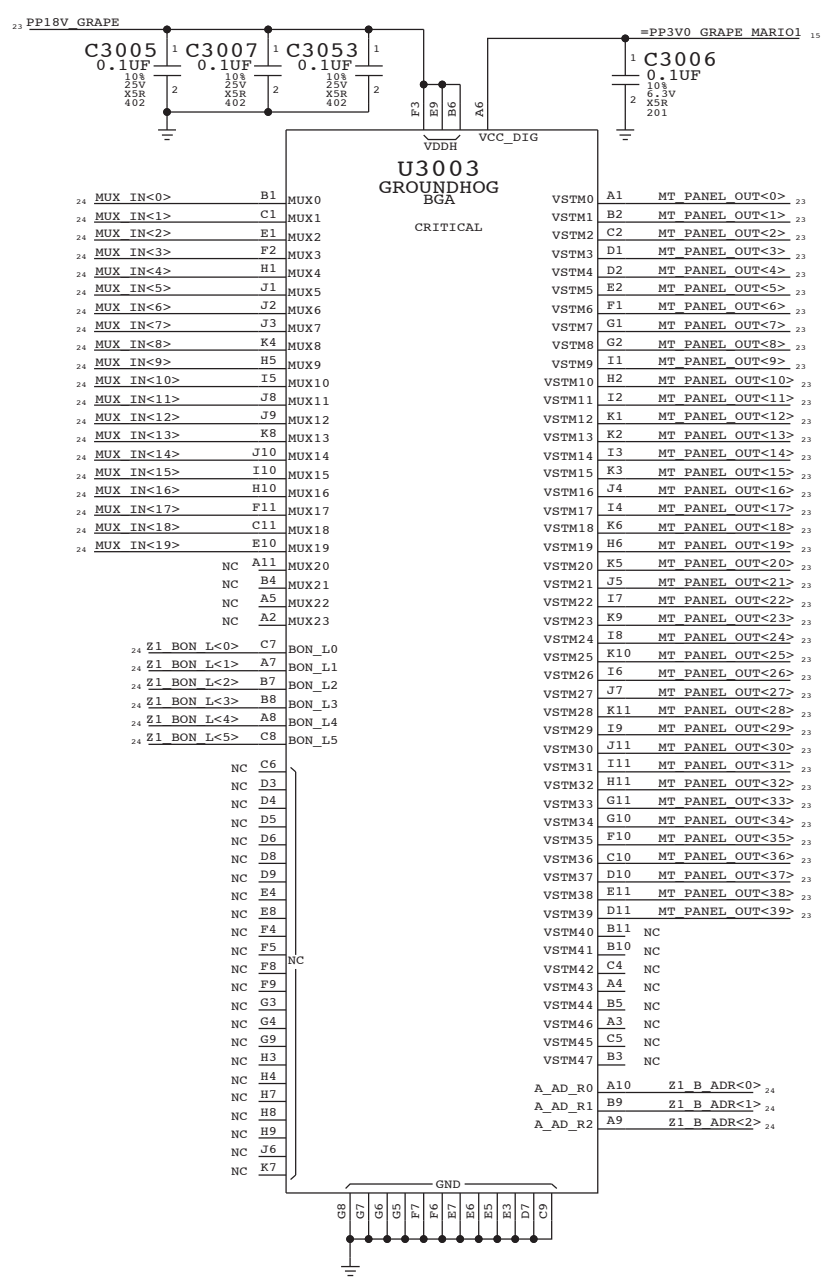
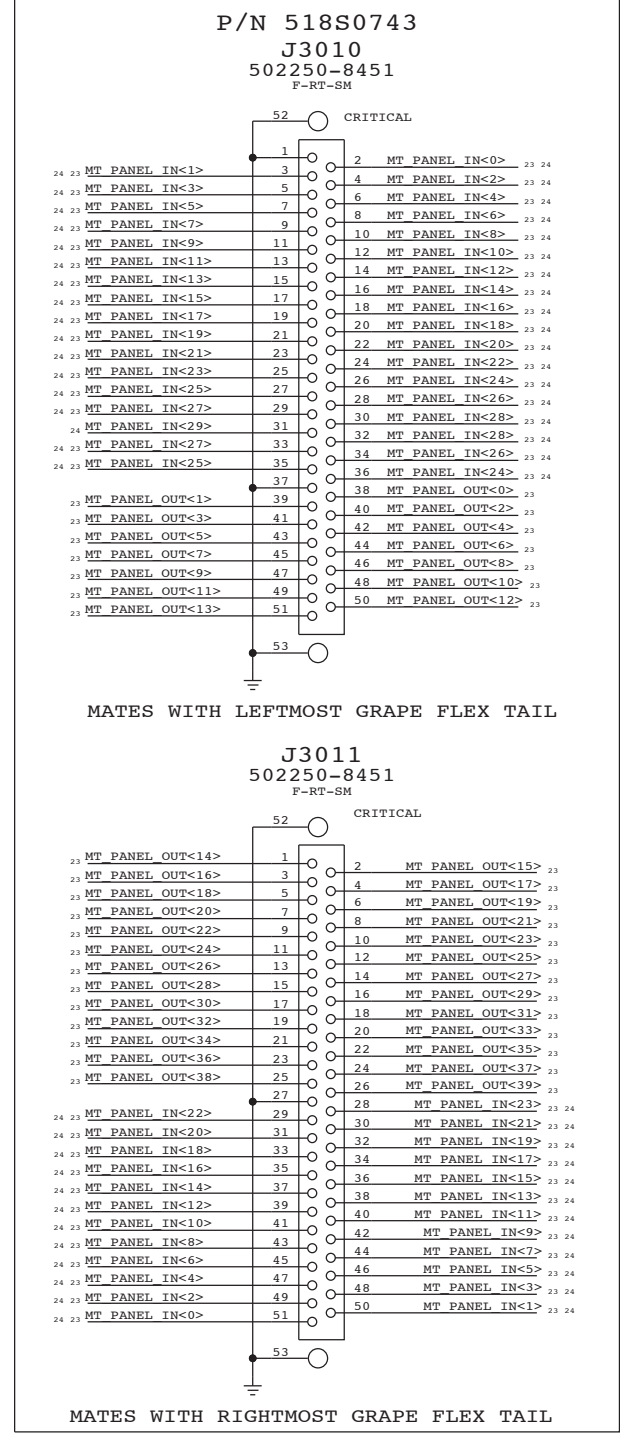
B

B

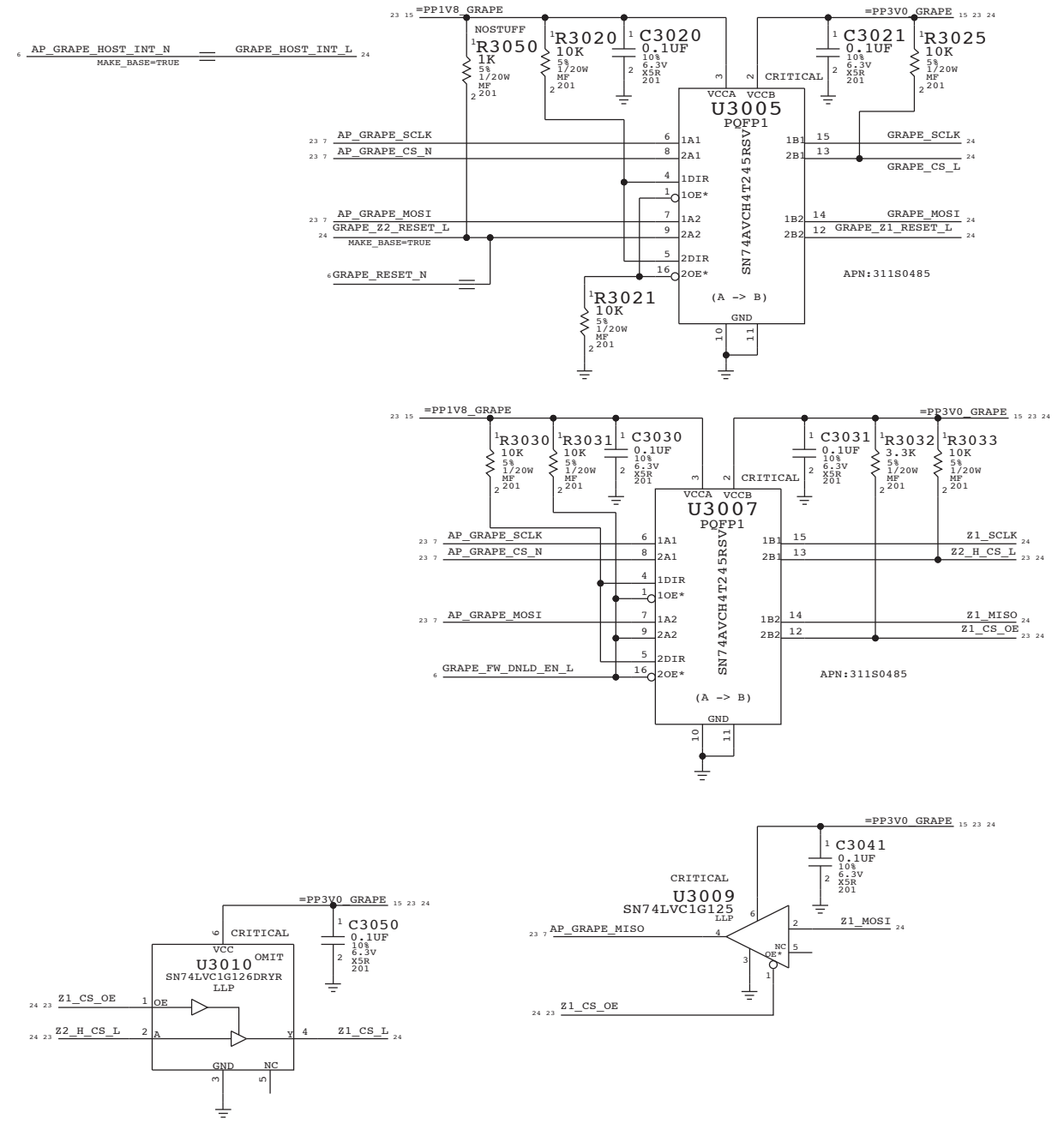
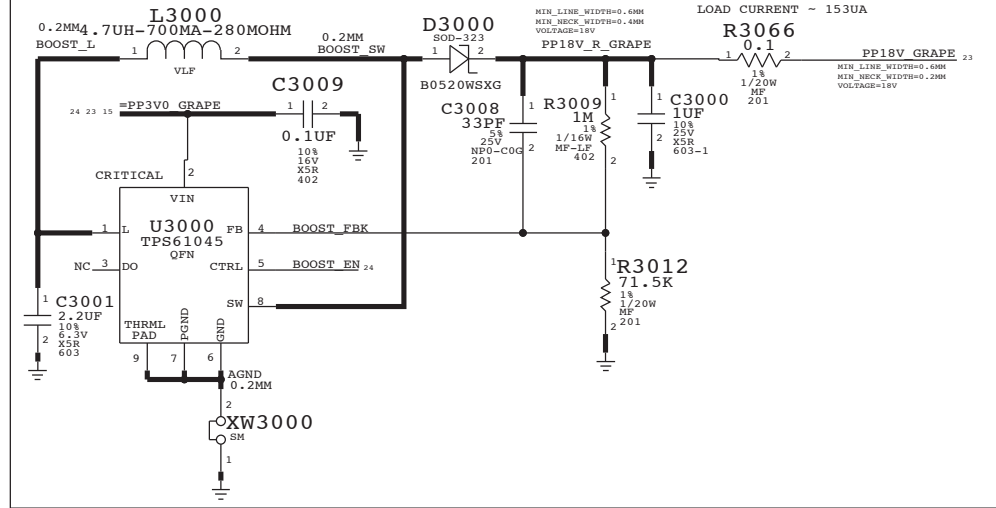
A

A

CONNECTORS TO GRAPE FLEX



BOOST CONVERTOR



PART NUMBER	QTY	DESCRIPTION	REFERENCE DES	CRITICAL	BOM OPTION
311S0506	1	IC, SNGL 3-STATE BUFFER, 5-PIN, DRY	U3010	CRITICAL	

SYNC MASTER=JAMES SYNC DATE=12/21/2009

GRAPE 1 OF 2

Apple Inc.

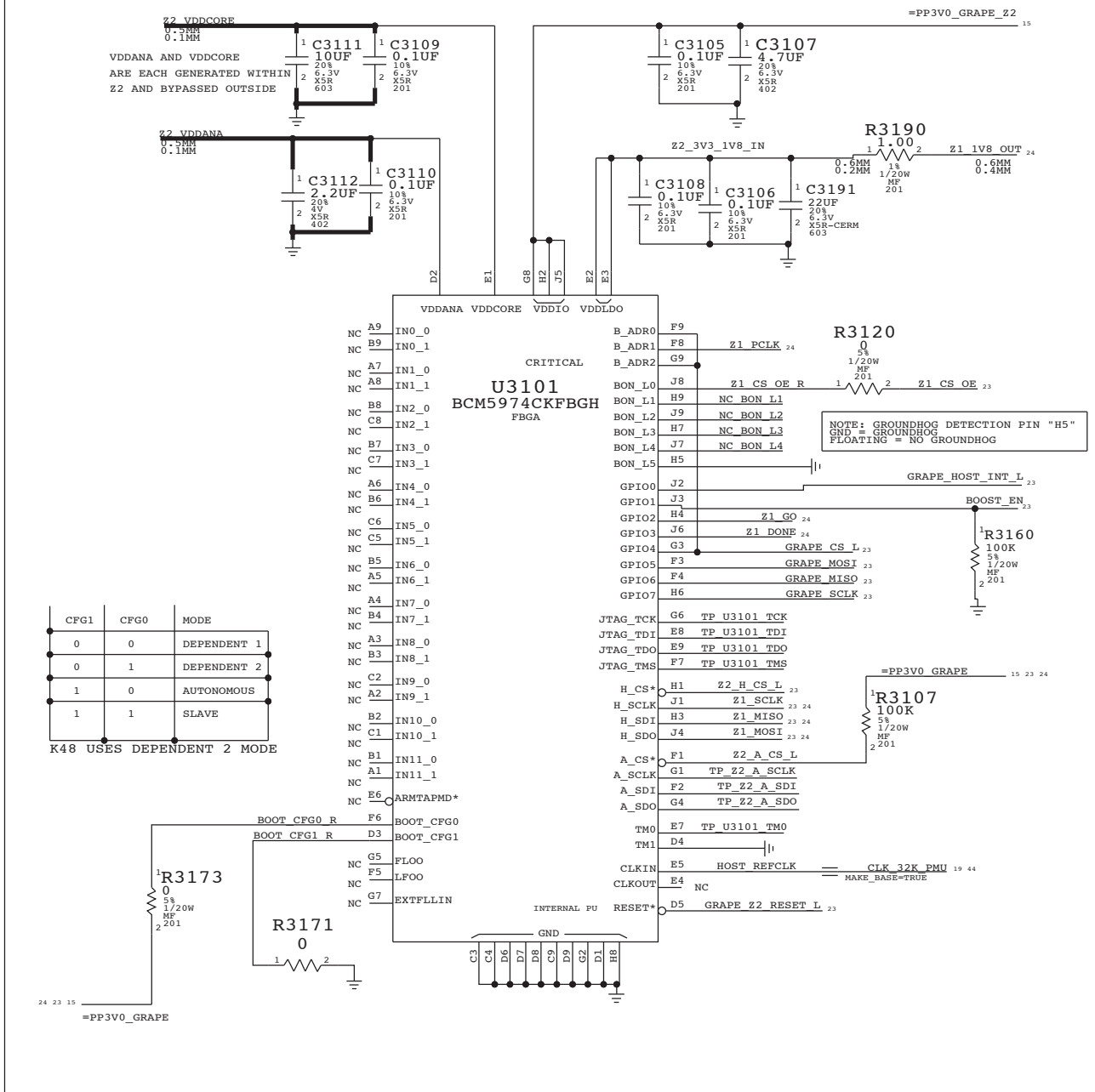
DRAWING NUMBER: 051-8245 SIZE: D

REVISION: B.0.0

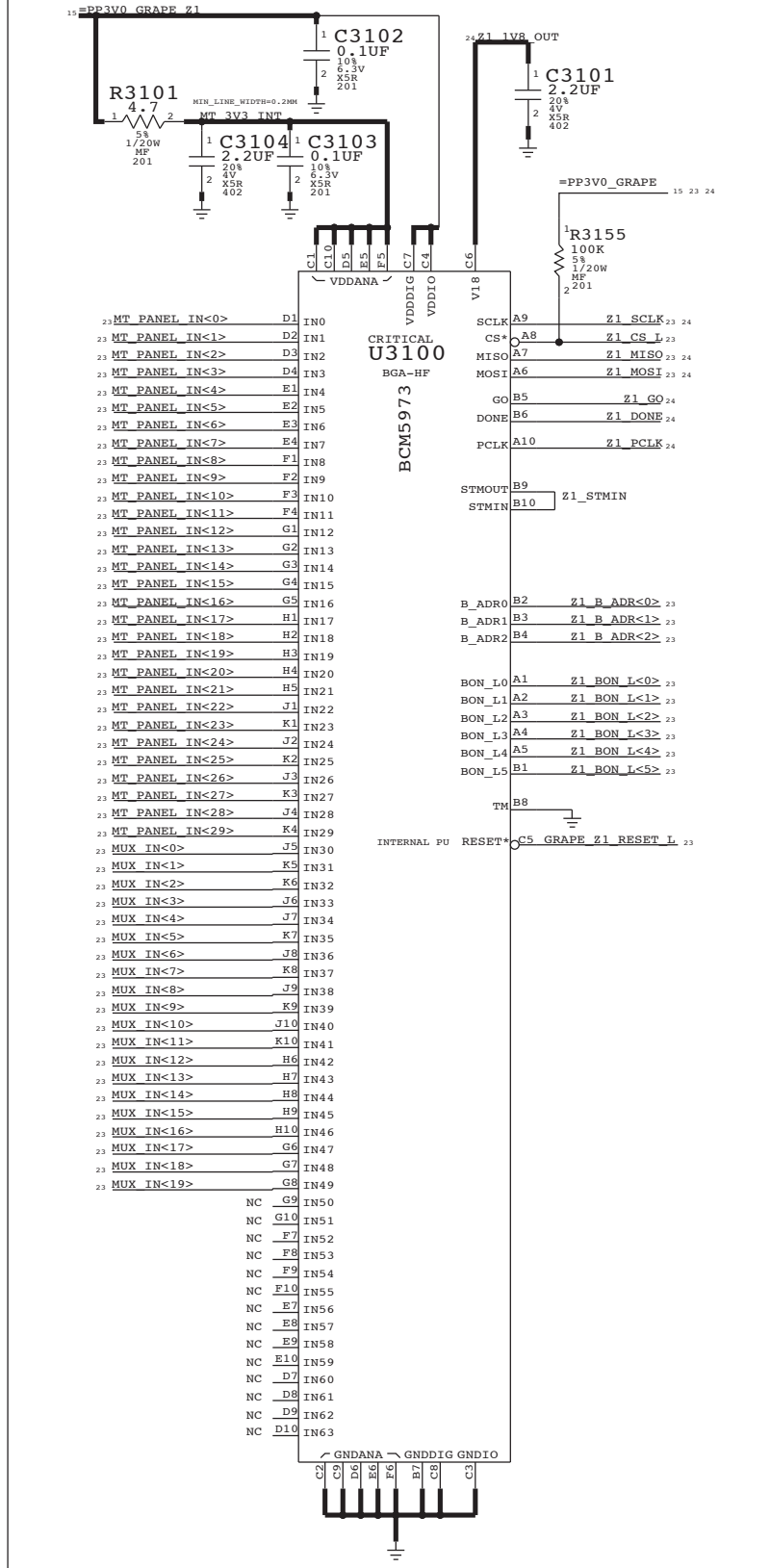
NOTICE OF PROPRIETARY PROPERTY: THE INFORMATION CONTAINED HEREIN IS THE PROPRIETARY PROPERTY OF APPLE COMPUTER, INC. THE POSSESSOR AGREES TO THE FOLLOWING: I TO MAINTAIN THIS DOCUMENT IN CONFIDENCE II NOT TO REPRODUCE OR COPY IT III NOT TO REVEAL OR PUBLISH IT IN WHOLE OR PART IV ALL RIGHTS RESERVED

PAGE: 30 OF 119 SHEET: 23 OF 53

ARM9 MCU (Z2 BASED)



ZEPHYR 1+ ASIC



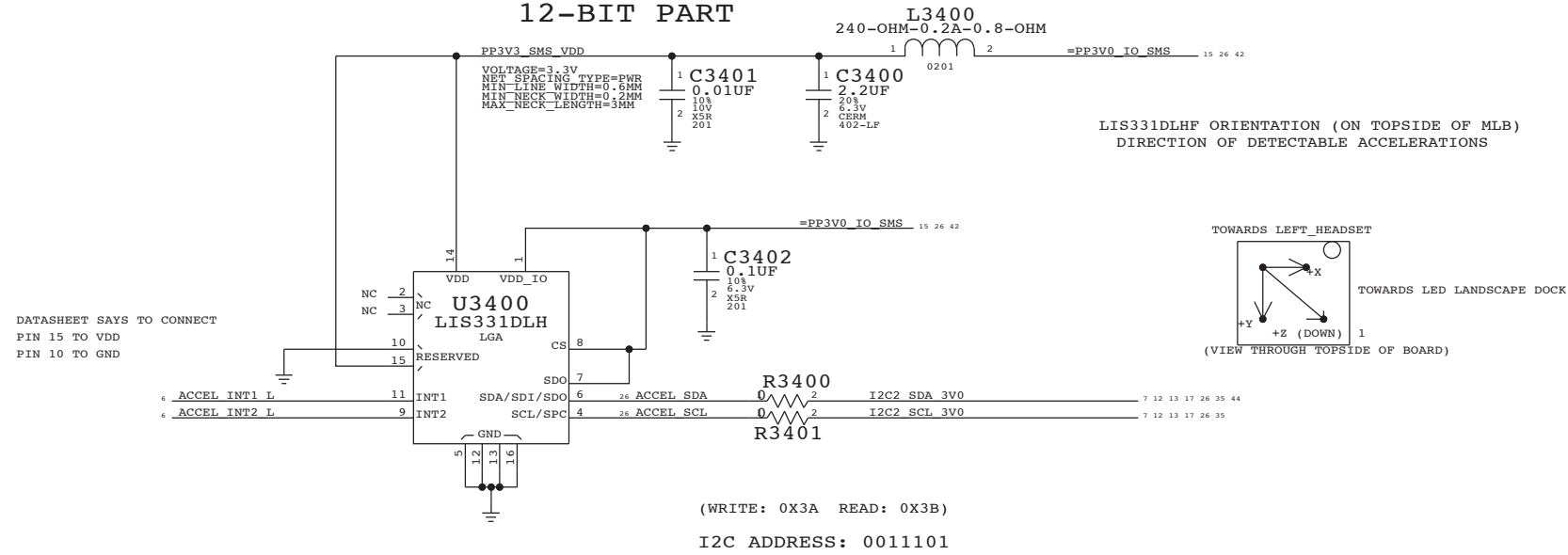
PAGE TITLE		DRAWING NUMBER		SIZE
GRAPE 2 OF 2		051-8245		D
Apple Inc.		REVISION		
		B.0.0		
NOTICE OF PROPRIETARY PROPERTY:		BRANCH		
THE INFORMATION CONTAINED HEREIN IS THE PROPRIETARY PROPERTY OF APPLE COMPUTER, INC. THE POSSESSOR AGREES TO THE FOLLOWING:		PAGE		
I TO MAINTAIN THIS DOCUMENT IN CONFIDENCE		31 OF 119		
II NOT TO REPRODUCE OR COPY IT		SHEET		
III NOT TO REVEAL OR PUBLISH IT IN WHOLE OR PART		24 OF 53		
IV ALL RIGHTS RESERVED				

SYNC MASTER=JAMES SYNC DATE=12/21/2009



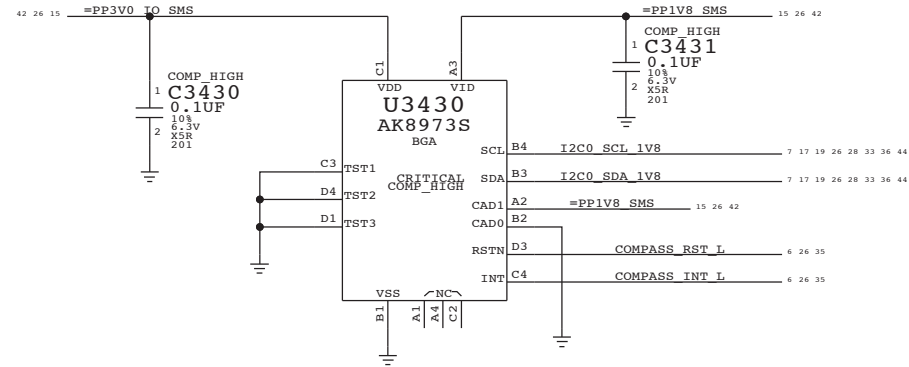
# MOTION/GYRO/COMPASS SENSORS

## ST MICRO LIS331DLHF MOTION SENSOR 12-BIT PART



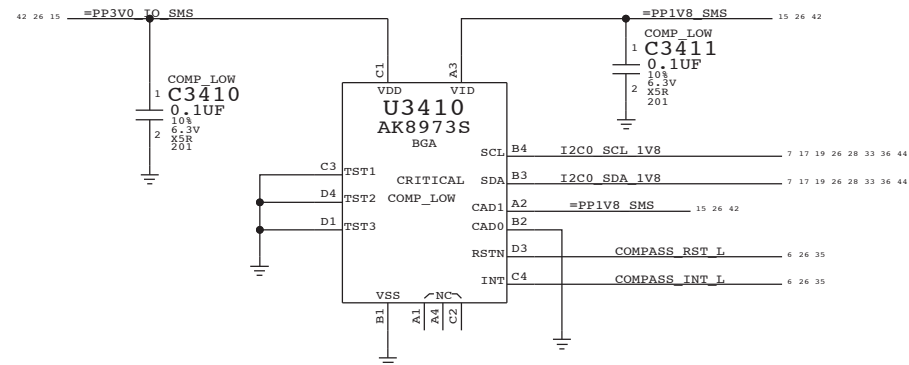
## COMPASS HIGH

(HAS THERMAL SENSOR IN IT)  
I2C ADDR: 0011110  
WRITE: 0X3C READ: 0X3D



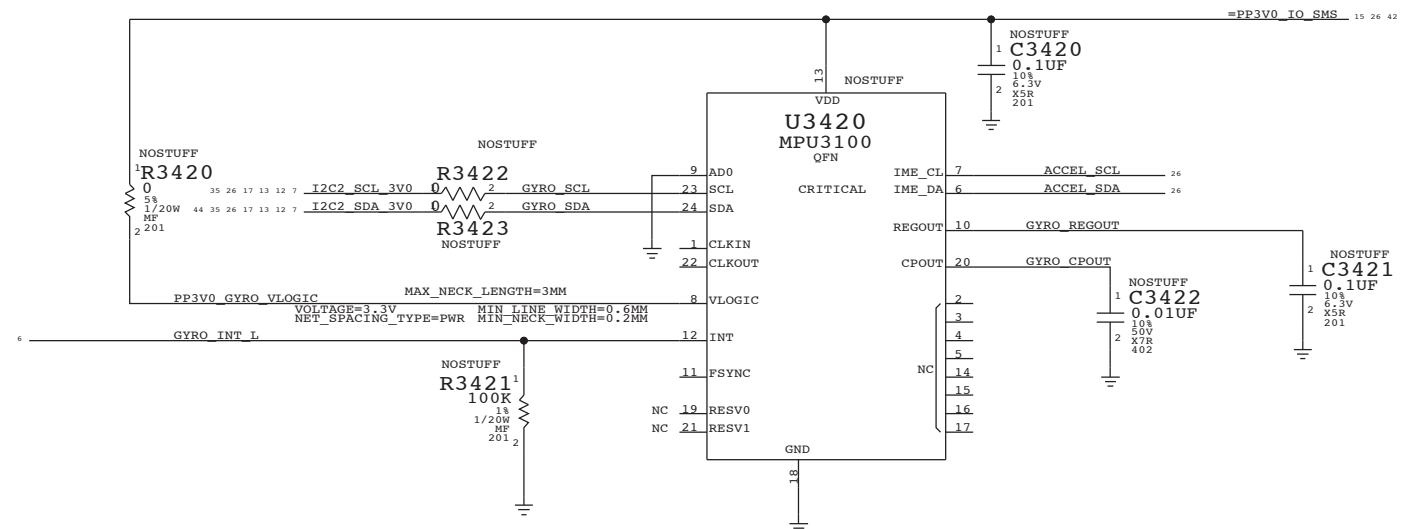
## COMPASS LOW

(HAS THERMAL SENSOR IN IT)  
I2C ADDR: 0011110  
WRITE: 0X3C READ: 0X3D



## GYRO

(WRITE: 0XD0 READ: 0XD1)  
I2C ADDRESS: 1101000



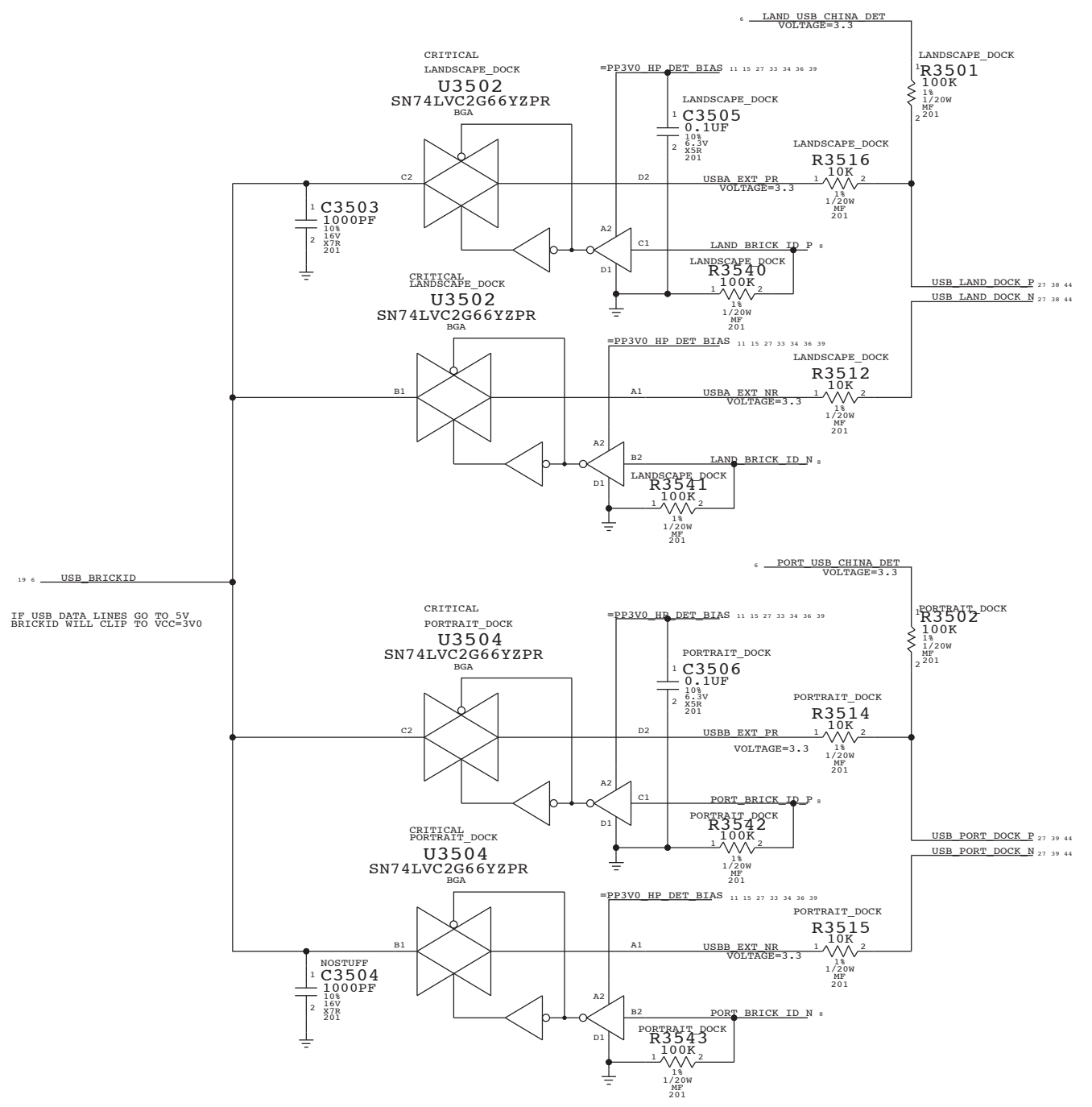
SYNC MASTER=MIAMI SYNC DATE=09/16/2009

PAGE TITLE <b>MOTION, GYRO, COMPASS/THERM</b>		
Apple Inc.	DRAWING NUMBER	051-8245
	REVISION	B.0.0
NOTICE OF PROPRIETARY PROPERTY: THE INFORMATION CONTAINED HEREIN IS THE PROPRIETARY PROPERTY OF APPLE COMPUTER, INC. THE POSSESSOR AGREES TO THE FOLLOWING: I TO MAINTAIN THIS DOCUMENT IN CONFIDENCE II NOT TO REPRODUCE OR COPY IT III NOT TO REVEAL OR PUBLISH IT IN WHOLE OR PART IV ALL RIGHTS RESERVED		
PAGE	34 OF 119	SHEET
	26 OF 53	

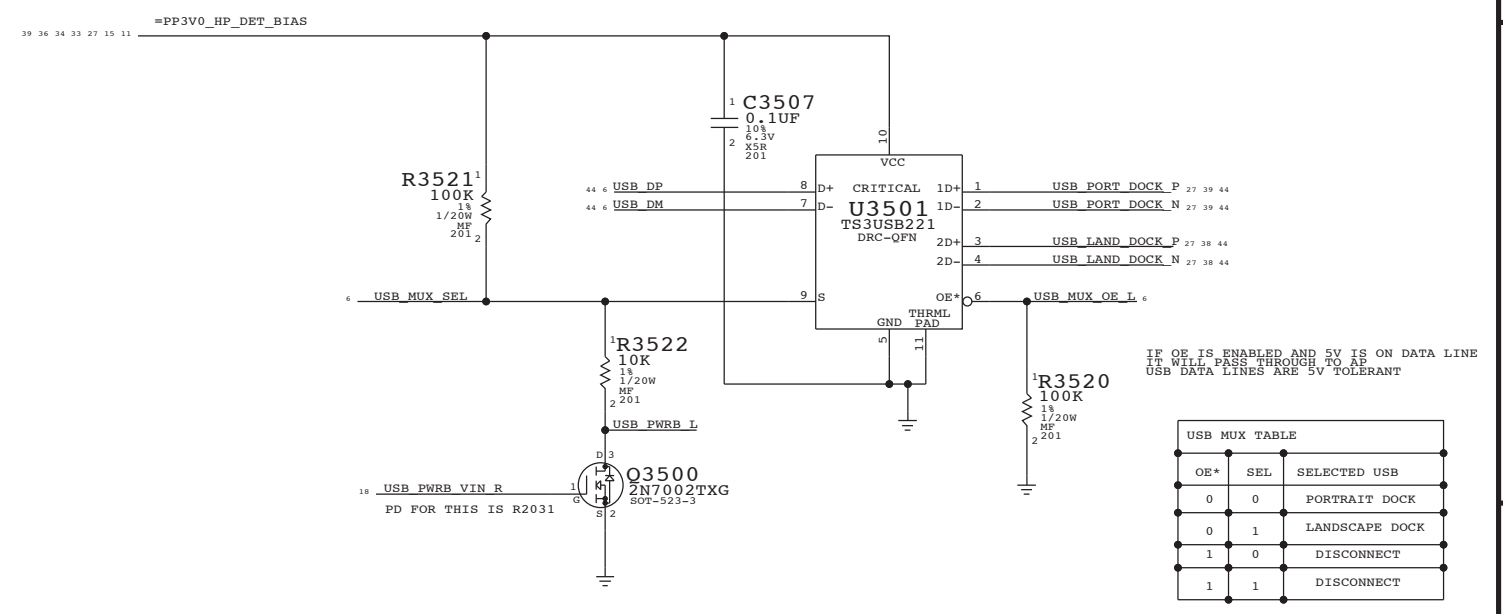


# USB MUX/BRICK DETECTION

MAKE SURE RESISTORS ARE ON TOP OF TRACE TO REDUCE STUB



## USB MUX FOR DOCK USB



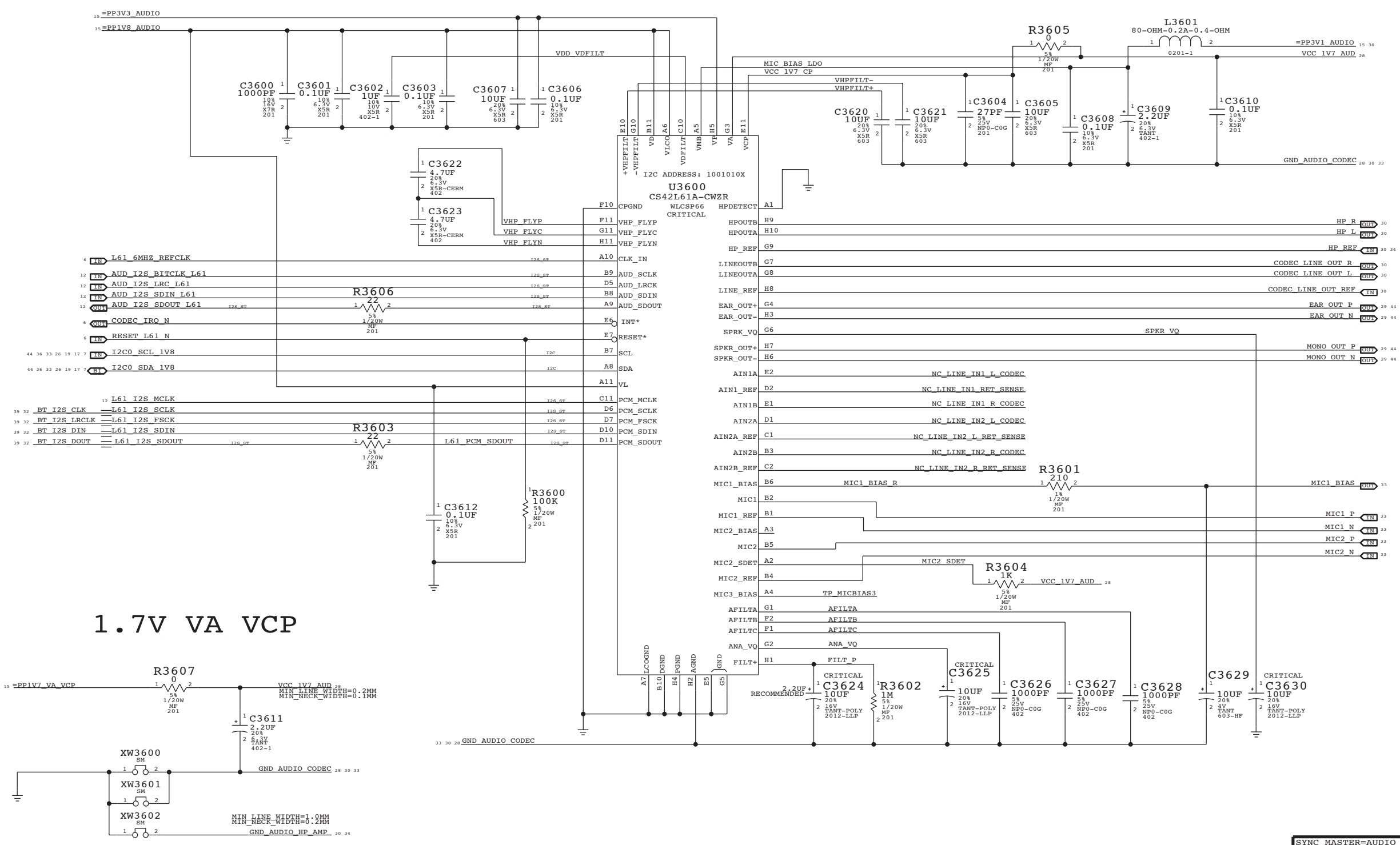
USB MUX TABLE		
OE*	SEL	SELECTED USB
0	0	PORTRAIT DOCK
0	1	LANDSCAPE DOCK
1	0	DISCONNECT
1	1	DISCONNECT

SYNC MASTER=MIAMI SYNC DATE=09/16/2009

PAGE TITLE <b>USB MUX/BRK DET</b>		
Apple Inc.	DRAWING NUMBER	051-8245
	REVISION	B.0.0
NOTICE OF PROPRIETARY PROPERTY: THE INFORMATION CONTAINED HEREIN IS THE PROPRIETARY PROPERTY OF APPLE COMPUTER, INC. THE POSSESSOR AGREES TO THE FOLLOWING: I TO MAINTAIN THIS DOCUMENT IN CONFIDENCE II NOT TO REPRODUCE OR COPY IT III NOT TO REVEAL OR PUBLISH IT IN WHOLE OR PART IV ALL RIGHTS RESERVED		BRANCH
		PAGE 35 OF 119
		SHEET 27 OF 53

# L61 AUDIO CODEC

APN:338S0589



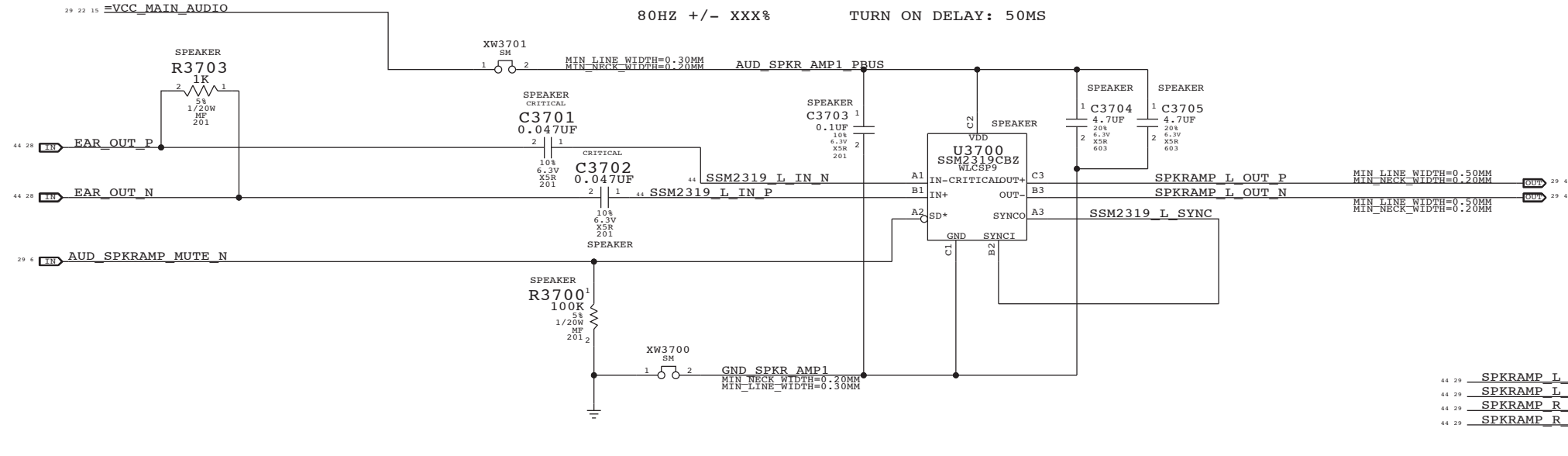
1.7V VA VCP

SYNC MASTER=AUDIO		SYNC DATE=12/04/2009	
PAGE TITLE			
L61 AUDIO INTERFACE			
DRAWING NUMBER		051-8245	SIZE
Apple Inc.		REVISION	B.0.0
NOTICE OF PROPRIETARY PROPERTY:		BRANCH	
THE INFORMATION CONTAINED HEREIN IS THE PROPRIETARY PROPERTY OF APPLE COMPUTER, INC. THE POSSESSOR AGREES TO THE FOLLOWING:		PAGE	
I TO MAINTAIN THIS DOCUMENT IN CONFIDENCE		36 OF 119	
II NOT TO REPRODUCE OR COPY IT		SHEET	
III NOT TO REVEAL OR PUBLISH IT IN WHOLE OR PART		28 OF 53	
IV ALL RIGHTS RESERVED			

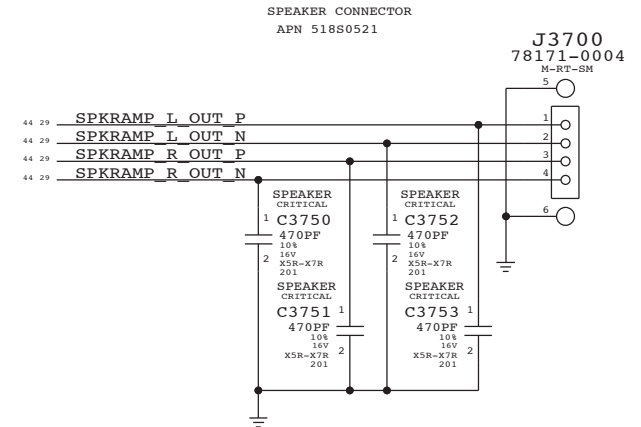
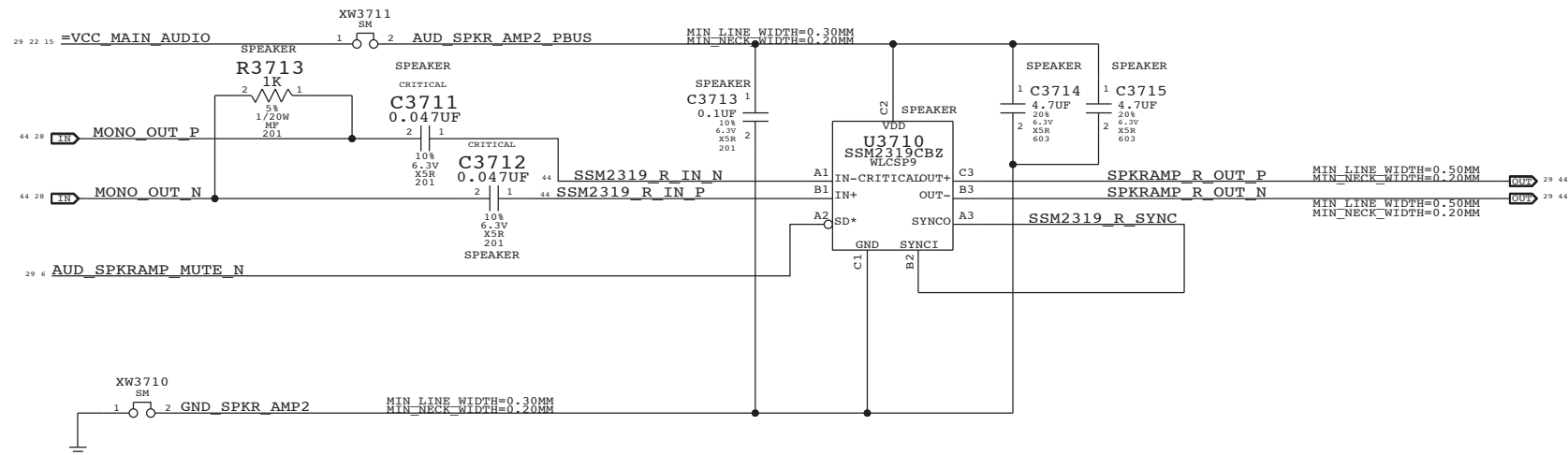
# SPEAKER AMPLIFIER

SSM2319 APN:353S2136

GAIN = 12DB      TURN ON TIME: 28MS  
 80HZ +/- XXX%      TURN ON DELAY: 50MS



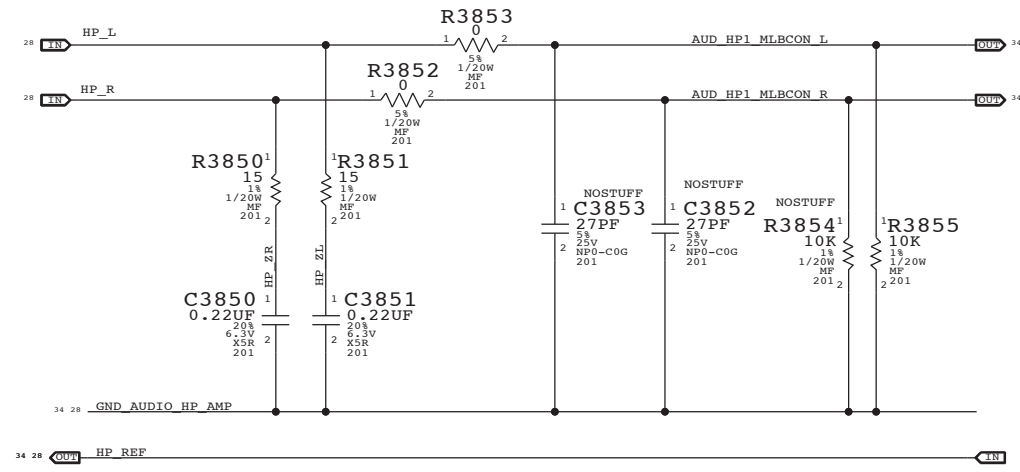
L61 RECEIVER OUTPUT IS CONNECTED TO U3700  
 L61 SPEAKER OUTPUT IS CONNECTED TO U3710



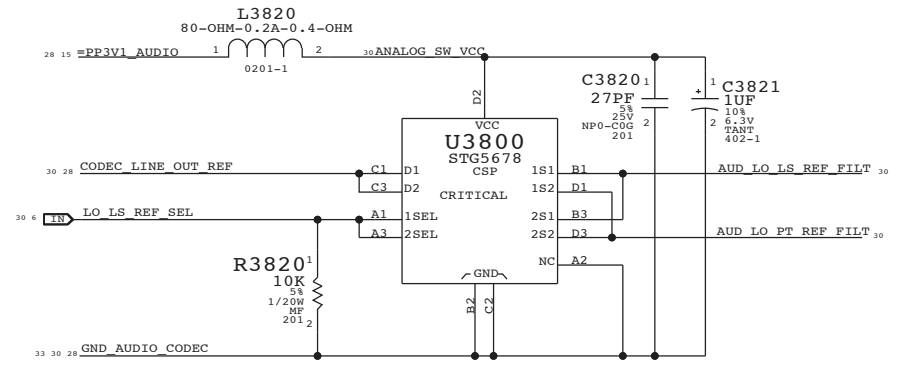
SYNC MASTER=AUDIO      SYNC DATE=12/04/2009

AUDIO: SPEAKER AMP		
Apple Inc.	DRAWING NUMBER	SIZE
	051-8245	D
	REVISION	
	B.0.0	
NOTICE OF PROPRIETARY PROPERTY:		
THE INFORMATION CONTAINED HEREIN IS THE PROPRIETARY PROPERTY OF APPLE COMPUTER, INC. THE POSSESSOR AGREES TO THE FOLLOWING:		
I TO MAINTAIN THIS DOCUMENT IN CONFIDENCE		
II NOT TO REPRODUCE OR COPY IT		
III NOT TO REVEAL OR PUBLISH IT IN WHOLE OR PART		
IV ALL RIGHTS RESERVED		
PAGE	37 OF 119	
SHEET	29 OF 53	

HEADPHONE OUTPUT ZOBEL NETWORK



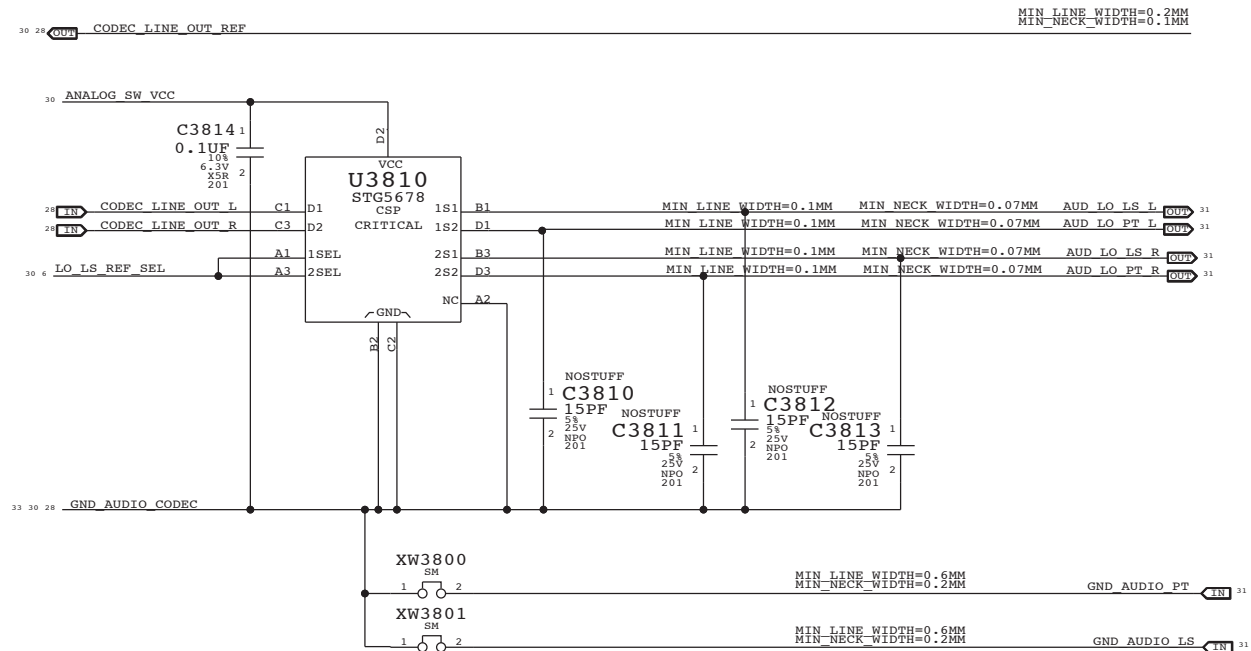
LINE OUTPUT REF SENSE DOCK SELECTOR



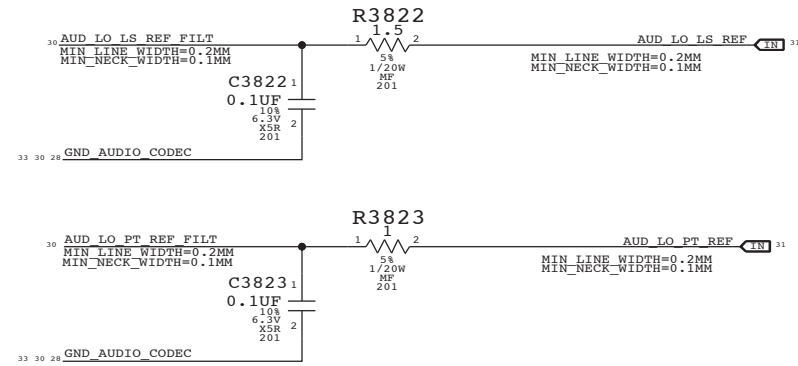
OUTPUT REF SENSE LINE SHOULD BE SWITCHED TO ACTIVE PORT  
 LO\_LS\_REF\_SEL = 0: PORTRAIT DOCK SELECTED  
 LO\_LS\_REF\_SEL = 1: LANDSCAPE DOCK SELECTED

LINE OUTPUT DOCK SELECTOR

LO\_LS\_REF\_SEL = 0: DAC OUTPUT CONNECTED TO PORTRAIT DOCK  
 LO\_LS\_REF\_SEL = 1: DAC OUTPUT CONNECTED TO LANDSCAPE DOCK



LINE OUTPUT REF SENSE FILTER



PAGE TITLE		SYNC MASTER=AUDIO		SYNC DATE=12/04/2009	
<b>AUDIO: HEADPHONE OUT</b>					
Apple Inc.		DRAWING NUMBER	051-8245	SIZE	D
		REVISION	B.0.0		
NOTICE OF PROPRIETARY PROPERTY:					
THE INFORMATION CONTAINED HEREIN IS THE PROPRIETARY PROPERTY OF APPLE COMPUTER, INC. THE POSSESSOR AGREES TO THE FOLLOWING:					
I TO MAINTAIN THIS DOCUMENT IN CONFIDENCE					
II NOT TO REPRODUCE OR COPY IT					
III NOT TO REVEAL OR PUBLISH IT IN WHOLE OR PART					
IV ALL RIGHTS RESERVED					
		PAGE	38 OF 119		
		SHEET	30 OF 53		

8

7

6

5

4

3

2

1

D

D

C

C

B

B

A

A

8

7

6

5

4

3

2

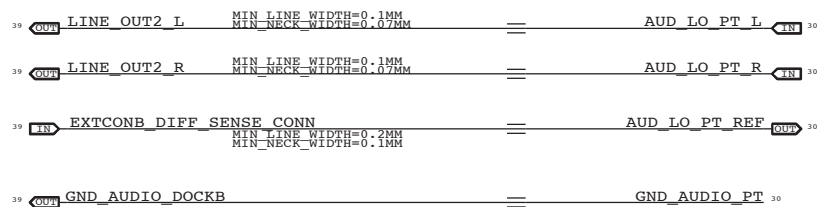
1

### DOCKS OUTPUTS

NOTE: PORTRAIT DOCK IS PRIMARY DOCK

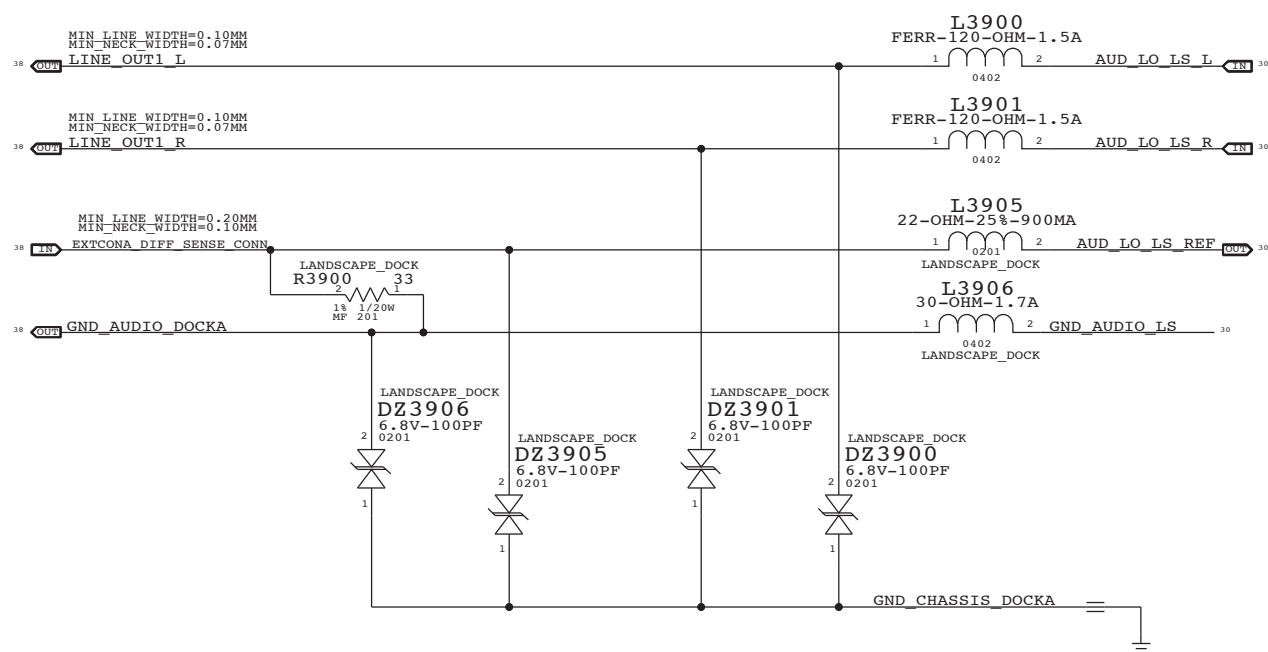
#### PORTRAIT DOCK LINE OUTPUT

TO PORTRAIT DOCK MLB CONNECTOR



#### LANDSCAPE DOCK LINE OUTPUT ESD CIRCUIT

TO LANDSCAPE DOCK MLB CONNECTOR



SYNC MASTER=AUDIO SYNC DATE=12/04/2009

AUDIO: LINE OUT DOCK ESD CIRCUIT

Apple Inc.	DRAWING NUMBER	051-8245	SIZE	D
	REVISION	B.0.0		

NOTICE OF PROPRIETARY PROPERTY:  
 THE INFORMATION CONTAINED HEREIN IS THE PROPRIETARY PROPERTY OF APPLE COMPUTER, INC. THE POSSESSOR AGREES TO THE FOLLOWING:  
 I TO MAINTAIN THIS DOCUMENT IN CONFIDENCE  
 II NOT TO REPRODUCE OR COPY IT  
 III NOT TO REVEAL OR PUBLISH IT IN WHOLE OR PART  
 IV ALL RIGHTS RESERVED

PAGE	39 OF 119
SHEET	31 OF 53

8

7

6

5

4

3

2

1

D

D

C

C

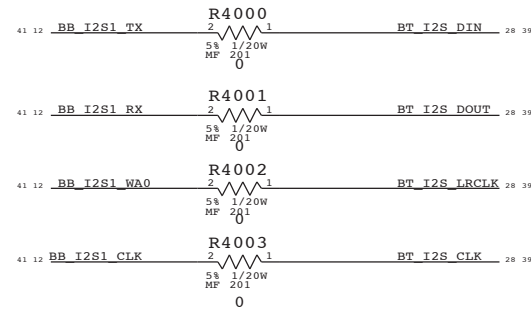
B

B

A

A

### AUDIENCE BYPASS SHUNTS



PAGE TITLE		DRAWING NUMBER		SIZE
AUDIO: AUDIENCE		051-8245		D
Apple Inc.		REVISION		B.0.0
NOTICE OF PROPRIETARY PROPERTY:		BRANCH		
THE INFORMATION CONTAINED HEREIN IS THE PROPRIETARY PROPERTY OF APPLE COMPUTER, INC. THE POSSESSOR AGREES TO THE FOLLOWING:		PAGE		40 OF 119
I TO MAINTAIN THIS DOCUMENT IN CONFIDENCE		SHEET		32 OF 53
II NOT TO REPRODUCE OR COPY IT				
III NOT TO REVEAL OR PUBLISH IT IN WHOLE OR PART				
IV ALL RIGHTS RESERVED				

8

7

6

5

4

3

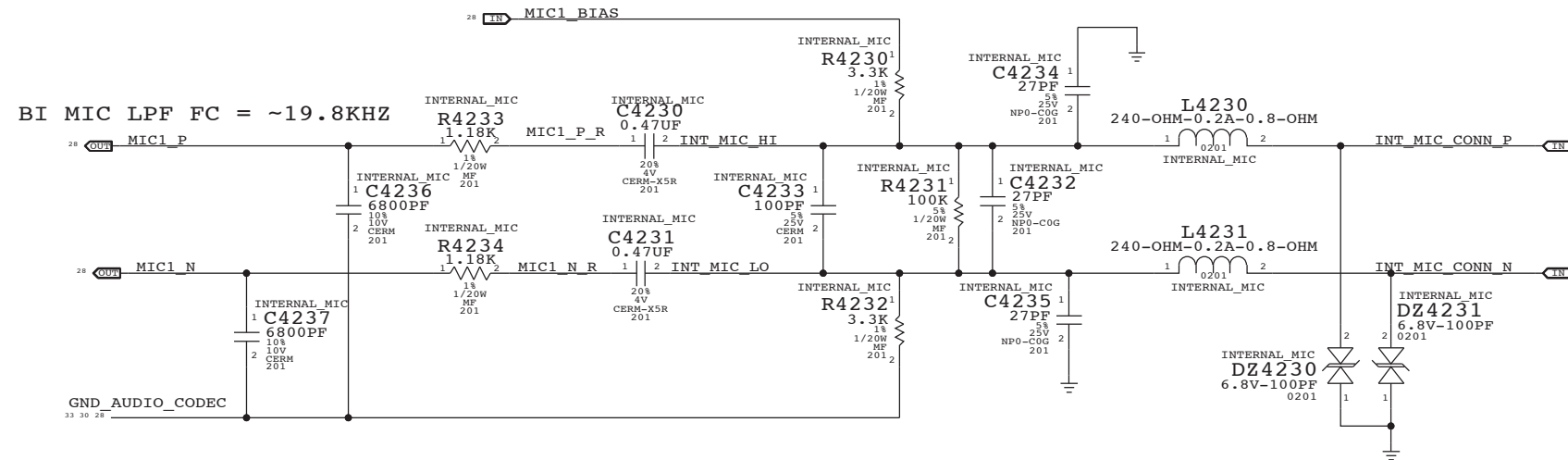
2

1

D

D

INTERNAL (BUILT-IN) ANALOG MIC BIAS & FILTER



C

C

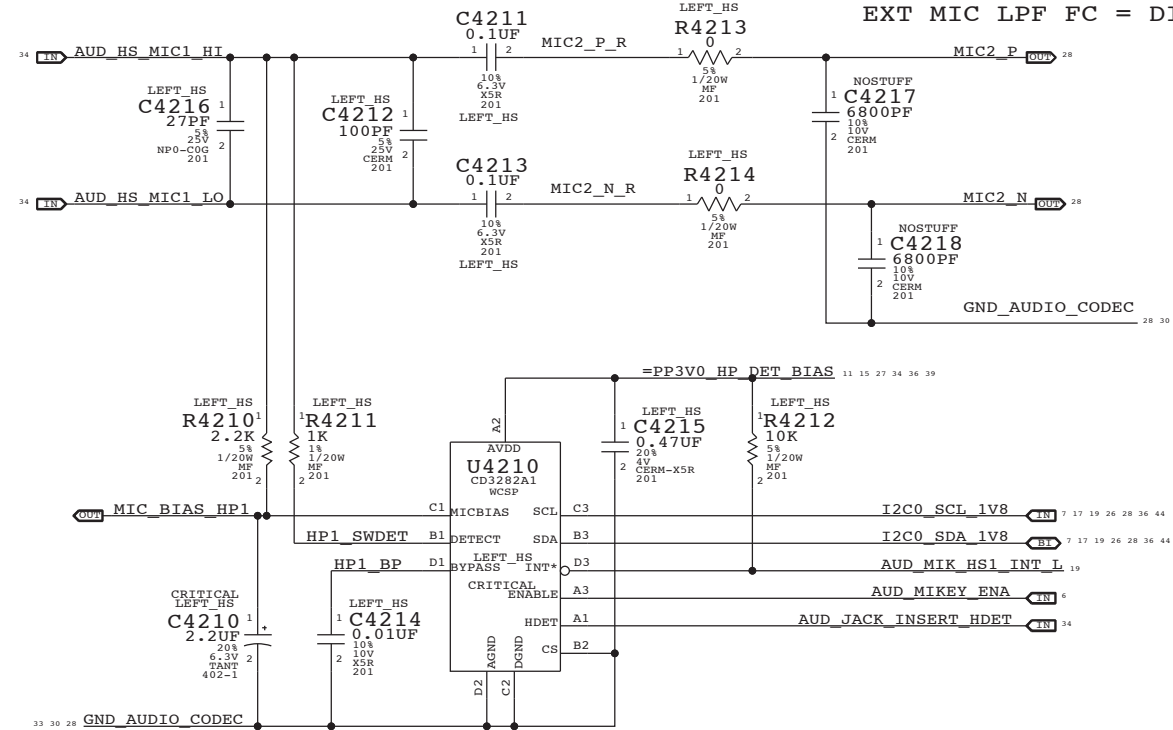
EXTERNAL MIC INPUT CIRCUITRY

APN:353S2640

I2C ADD: READ=72H, WRITE=73H

NOTE: INT IS OPEN DRAIN, PULL UP ON MIKEY SIDE

EXT MIC LPF FC = DISABLED



B

B

A

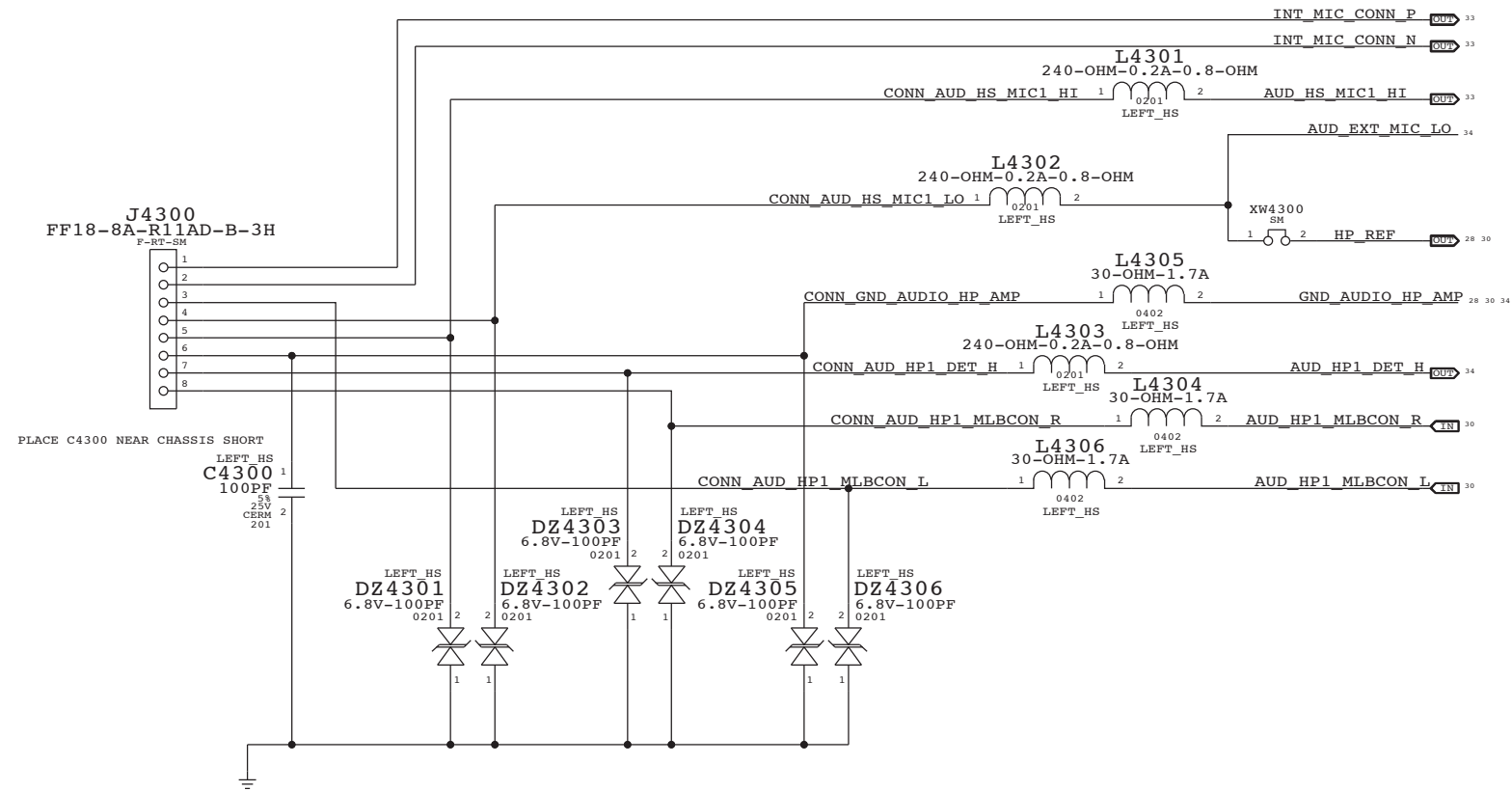
A

SYNC MASTER=AUDIO SYNC DATE=12/04/2009

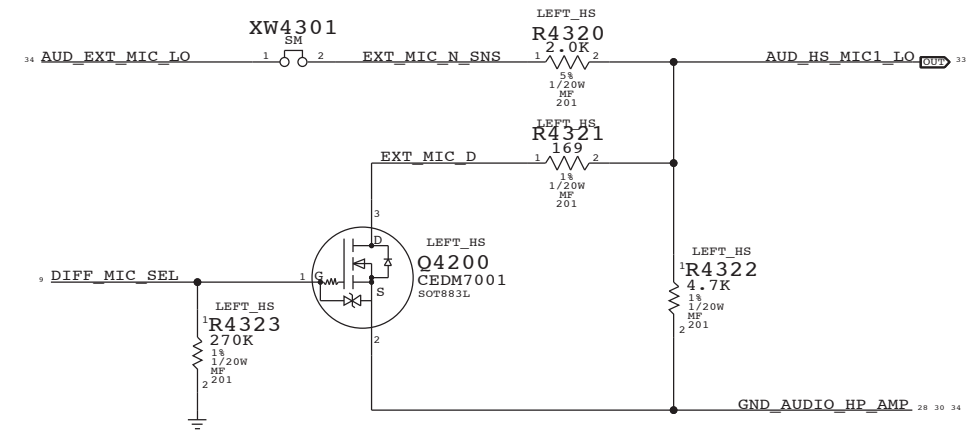
PAGE TITLE		
AUDIO: DETECT/MIC BIAS		
DRAWING NUMBER	051-8245	SIZE D
REVISION	B.0.0	
NOTICE OF PROPRIETARY PROPERTY:		
THE INFORMATION CONTAINED HEREIN IS THE PROPRIETARY PROPERTY OF APPLE COMPUTER, INC. THE POSSESSOR AGREES TO THE FOLLOWING:		
I TO MAINTAIN THIS DOCUMENT IN CONFIDENCE		
II NOT TO REPRODUCE OR COPY IT		
III NOT TO REVEAL OR PUBLISH IT IN WHOLE OR PART		
IV ALL RIGHTS RESERVED		
BRANCH		
PAGE	42 OF 119	
SHEET	33 OF 53	



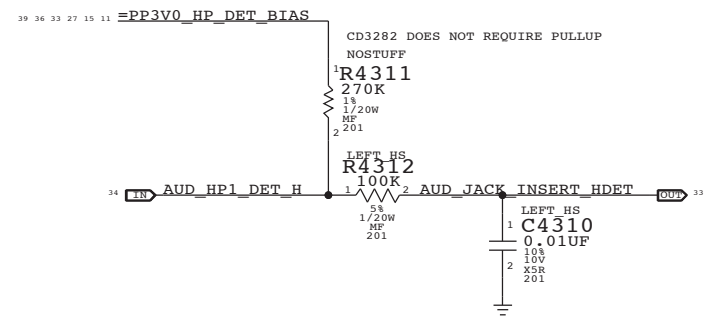
JACK 1 MLB CONNECTOR: HEADPHONE/HS\_MIC/INT\_MIC  
 APN: 518S0693



HEADSET HP/MIC CROSSTALK MITIGATION (NOT USED)



HEADSET JACK INSERTION DETECT

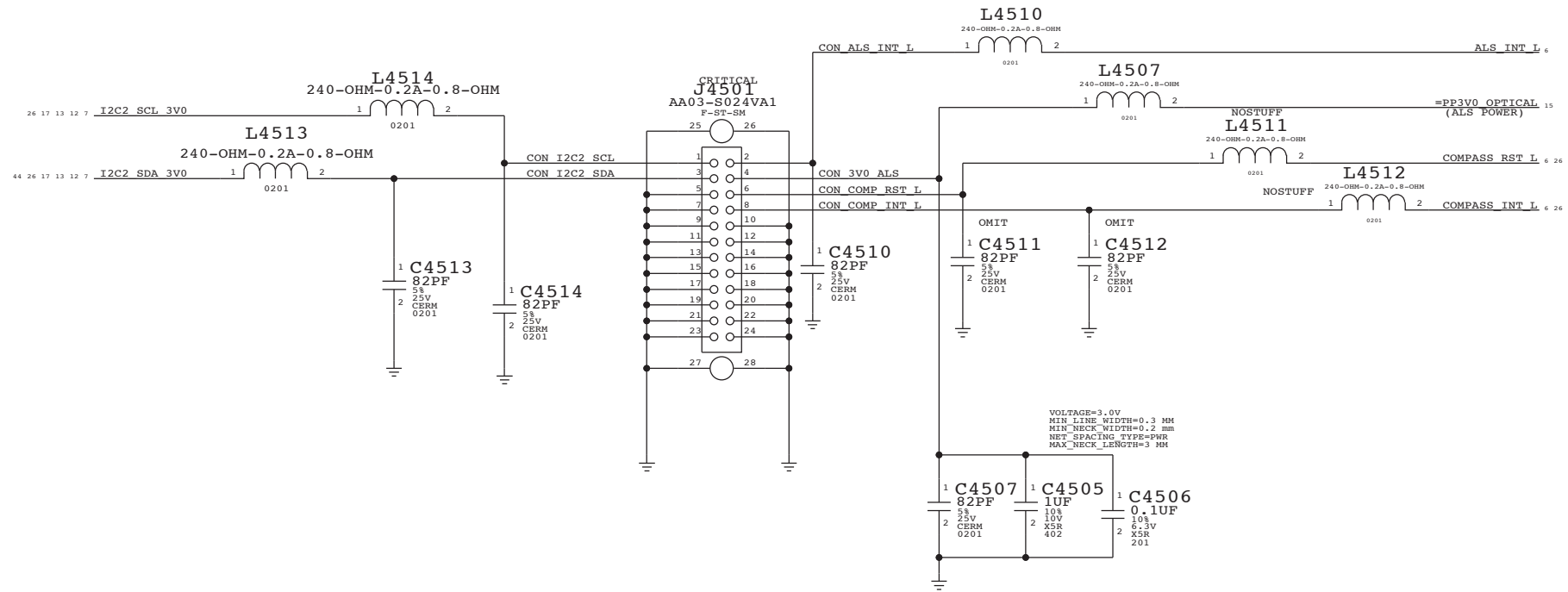


PAGE TITLE		SYNC DATE=12/04/2009	
<b>AUDIO: HP CONN</b>			
 Apple Inc.	DRAWING NUMBER	051-8245	SIZE
	REVISION	B.0.0	D
NOTICE OF PROPRIETARY PROPERTY: THE INFORMATION CONTAINED HEREIN IS THE PROPRIETARY PROPERTY OF APPLE COMPUTER, INC. THE POSSESSOR AGREES TO THE FOLLOWING: I TO MAINTAIN THIS DOCUMENT IN CONFIDENCE II NOT TO REPRODUCE OR COPY IT III NOT TO REVEAL OR PUBLISH IT IN WHOLE OR PART IV ALL RIGHTS RESERVED		BRANCH	
		PAGE	43 OF 119
		SHEET	34 OF 53

# ALS CONN.

## FPC CONNECTOR

APN: 516S0498



PART#	QTY	DESCRIPTION	REFERENCE DESIGNATOR(S)	BOM OPTION
11780002	2	0-OHM, 5%, 1/20W, MF, 0201	C4511, C4512	

SYNC MASTER=MIAMI SYNC DATE=09/16/2009

**ALS CONNECTOR**

Apple Inc.

DRAWING NUMBER: 051-8245 SIZE: D

REVISION: B.0.0

NOTICE OF PROPRIETARY PROPERTY:  
 THE INFORMATION CONTAINED HEREIN IS THE PROPRIETARY PROPERTY OF APPLE COMPUTER, INC. THE POSSESSOR AGREES TO THE FOLLOWING:  
 I TO MAINTAIN THIS DOCUMENT IN CONFIDENCE  
 II NOT TO REPRODUCE OR COPY IT  
 III NOT TO REVEAL OR PUBLISH IT IN WHOLE OR PART  
 IV ALL RIGHTS RESERVED

PAGE: 45 OF 119  
 SHEET: 35 OF 53

D

D

C

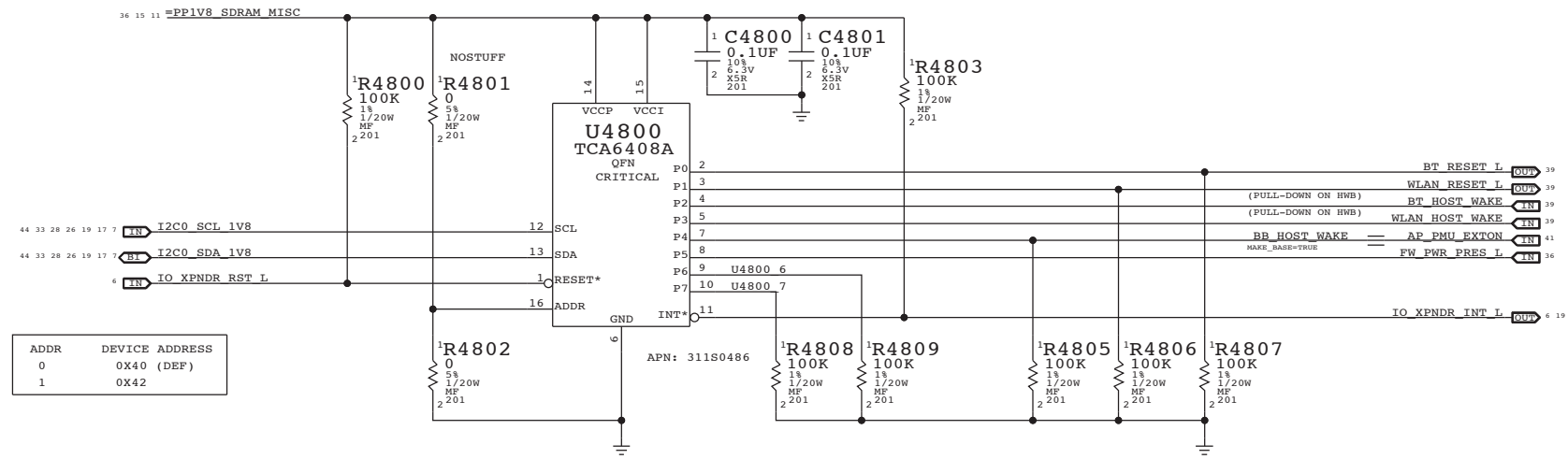
C

B

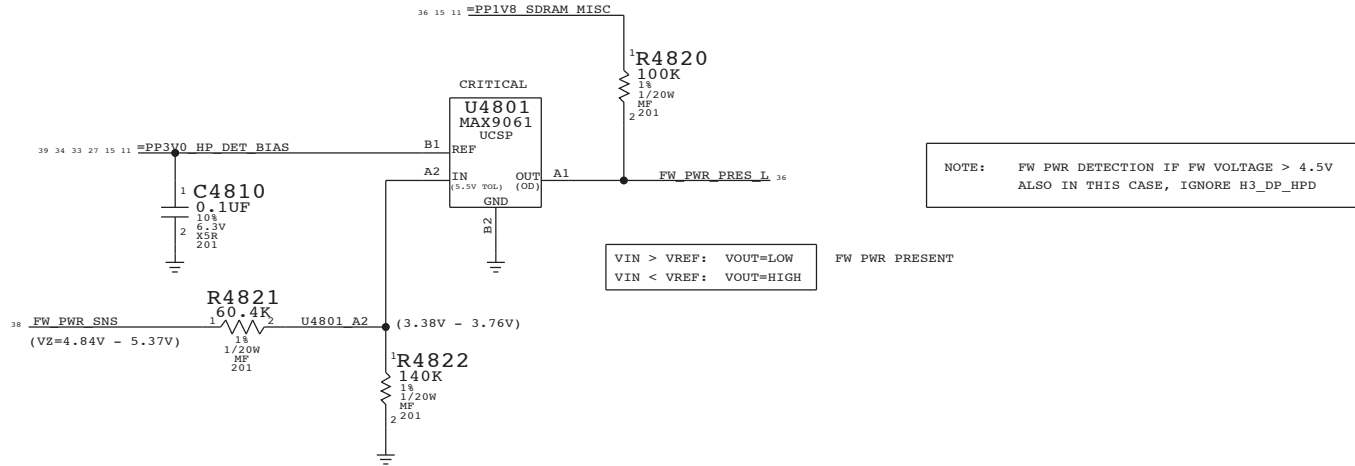
B

A

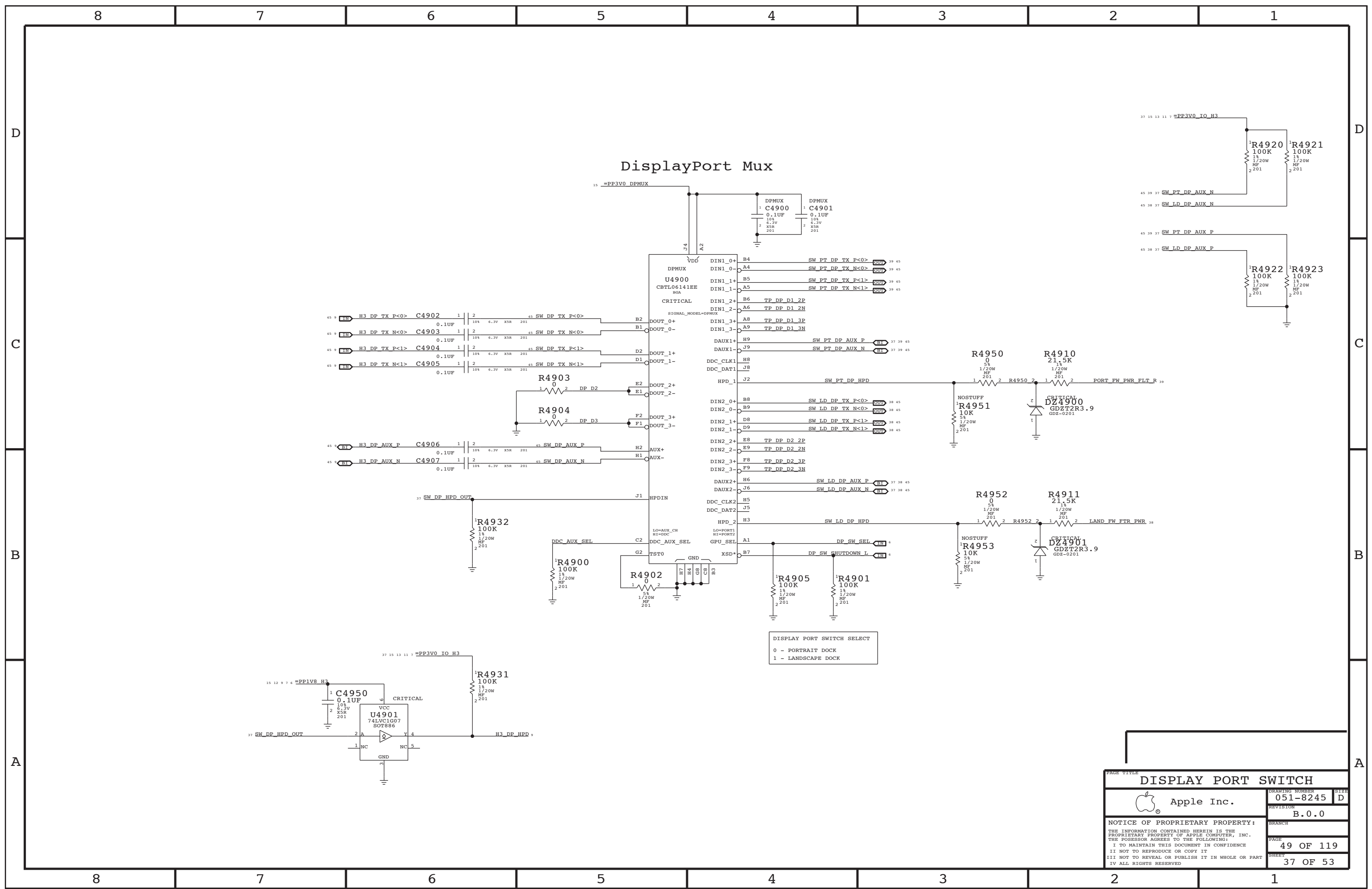
A



THIS IS SAME AS PREVIOUS, BUT CE APPROVED APN NUMBER (SAME PART)

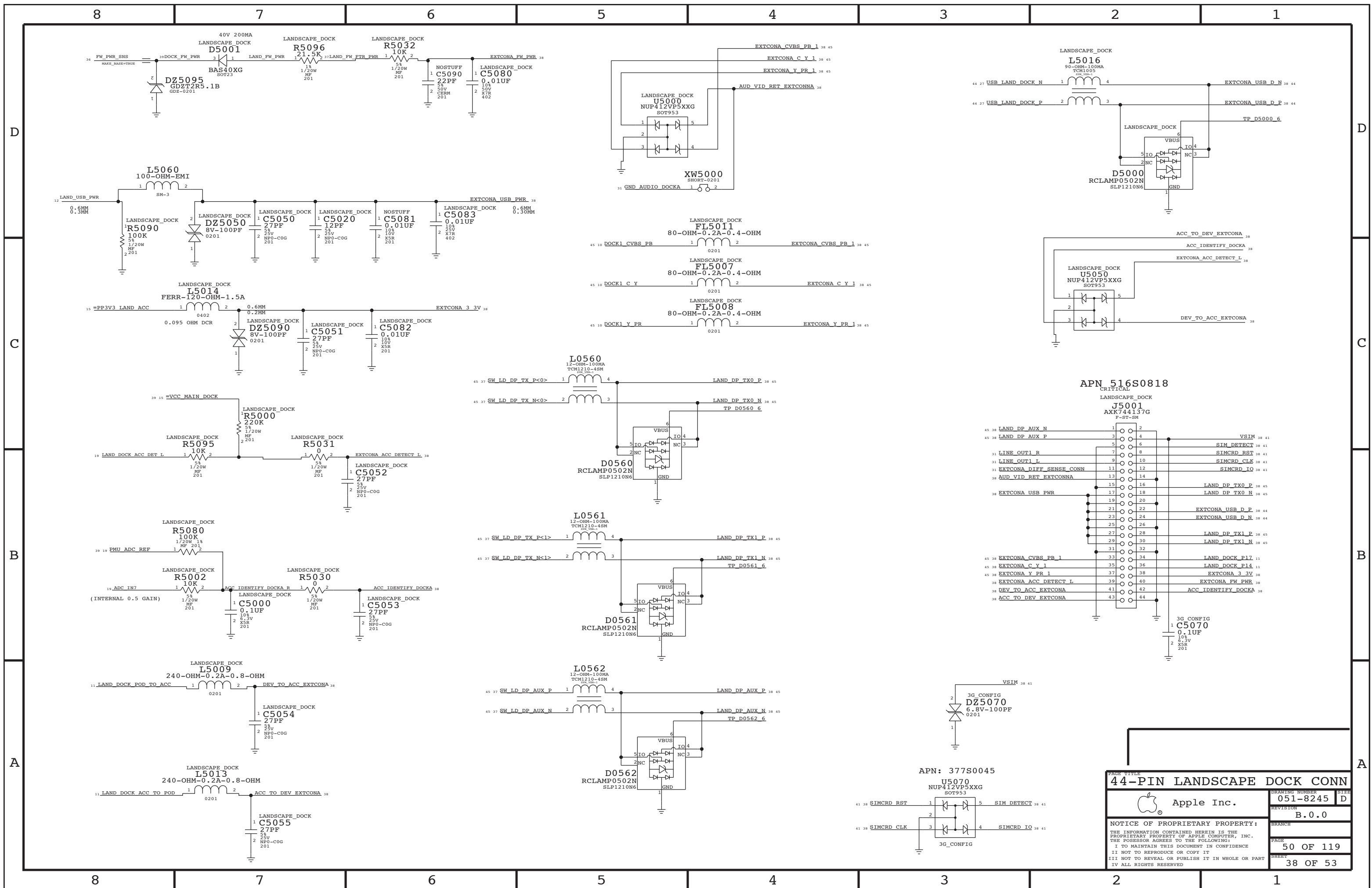


PAGE TITLE		
<b>I/O EXPANDER</b>		
 Apple Inc.	DRAWING NUMBER	051-8245
	REVISION	B.0.0
NOTICE OF PROPRIETARY PROPERTY: THE INFORMATION CONTAINED HEREIN IS THE PROPRIETARY PROPERTY OF APPLE COMPUTER, INC. THE POSSESSOR AGREES TO THE FOLLOWING: I TO MAINTAIN THIS DOCUMENT IN CONFIDENCE II NOT TO REPRODUCE OR COPY IT III NOT TO REVEAL OR PUBLISH IT IN WHOLE OR PART IV ALL RIGHTS RESERVED	BRANCH	
	PAGE	48 OF 119
	SHEET	36 OF 53

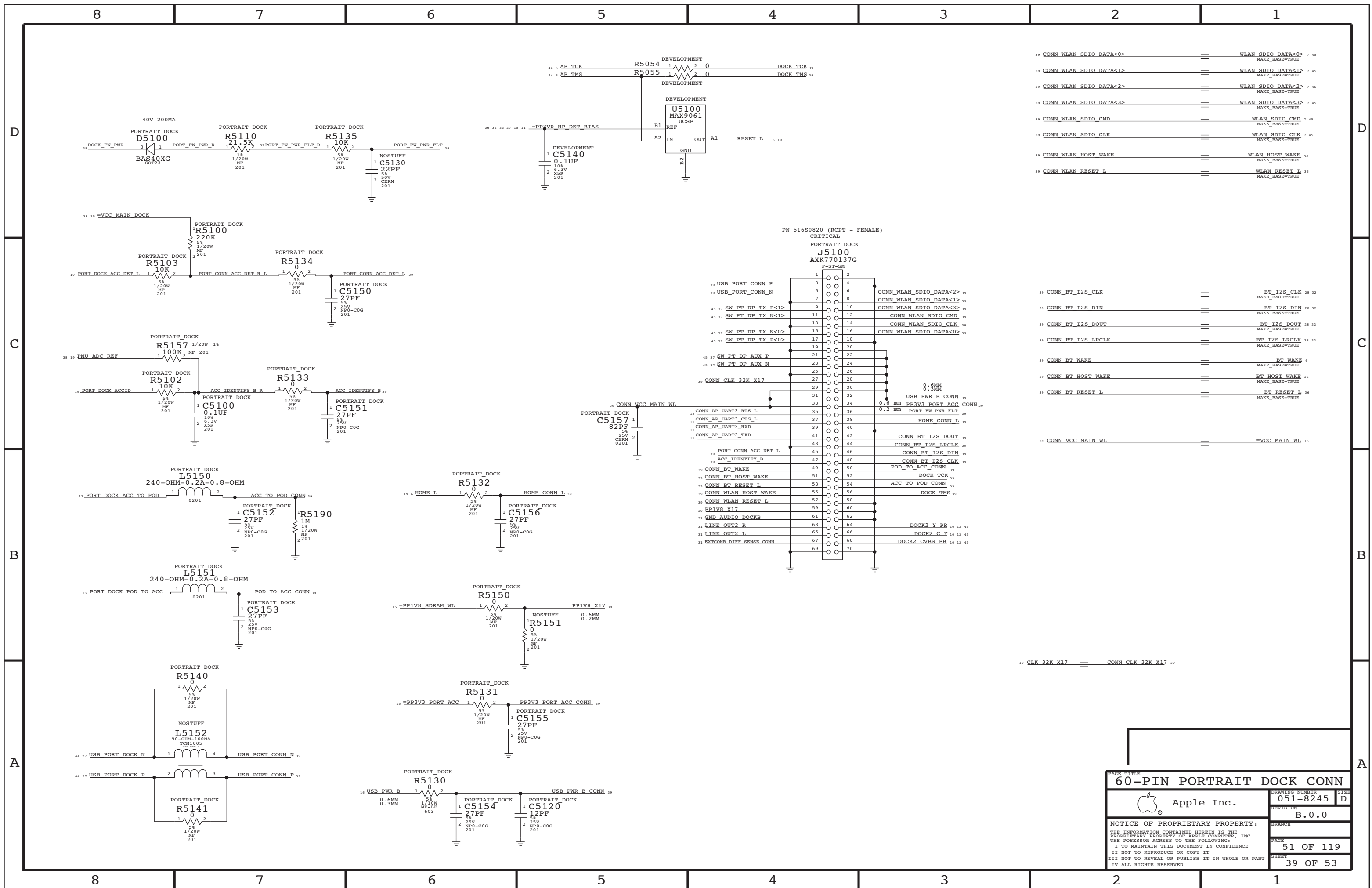


DISPLAY PORT SWITCH SELECT  
 0 - PORTRAIT DOCK  
 1 - LANDSCAPE DOCK

PAGE TITLE		
<b>DISPLAY PORT SWITCH</b>		
Apple Inc.	DRAWING NUMBER	051-8245
	REVISION	B.0.0
NOTICE OF PROPRIETARY PROPERTY:		
THE INFORMATION CONTAINED HEREIN IS THE PROPRIETARY PROPERTY OF APPLE COMPUTER, INC. THE POSSESSOR AGREES TO THE FOLLOWING:		
I TO MAINTAIN THIS DOCUMENT IN CONFIDENCE		
II NOT TO REPRODUCE OR COPY IT		
III NOT TO REVEAL OR PUBLISH IT IN WHOLE OR PART		
IV ALL RIGHTS RESERVED		
BRANCH	PAGE	49 OF 119
SHEET	37 OF 53	



<b>44-PIN LANDSCAPE DOCK CONN</b> Apple Inc.		DRAWING NUMBER <b>051-8245</b>	SIZE <b>D</b>
REVISION <b>B.0.0</b>		BRANCH	
NOTICE OF PROPRIETARY PROPERTY: THE INFORMATION CONTAINED HEREIN IS THE PROPRIETARY PROPERTY OF APPLE COMPUTER, INC. THE POSSESSOR AGREES TO THE FOLLOWING: I TO MAINTAIN THIS DOCUMENT IN CONFIDENCE II NOT TO REPRODUCE OR COPY IT III NOT TO REVEAL OR PUBLISH IT IN WHOLE OR PART IV ALL RIGHTS RESERVED		PAGE <b>50 OF 119</b>	SHEET <b>38 OF 53</b>




39	CONN WLAN SDIO DATA<0>	==	WLAN SDIO DATA<0>	7 45
			MAKE_BASE=TRUE	
39	CONN WLAN SDIO DATA<1>	==	WLAN SDIO DATA<1>	7 45
			MAKE_BASE=TRUE	
39	CONN WLAN SDIO DATA<2>	==	WLAN SDIO DATA<2>	7 45
			MAKE_BASE=TRUE	
39	CONN WLAN SDIO DATA<3>	==	WLAN SDIO DATA<3>	7 45
			MAKE_BASE=TRUE	
39	CONN WLAN SDIO CMD	==	WLAN SDIO CMD	7 45
			MAKE_BASE=TRUE	
39	CONN WLAN SDIO CLK	==	WLAN SDIO CLK	7 45
			MAKE_BASE=TRUE	
39	CONN WLAN HOST WAKE	==	WLAN HOST WAKE	36
			MAKE_BASE=TRUE	
39	CONN WLAN RESET L	==	WLAN RESET L	36
			MAKE_BASE=TRUE	

39	CONN BT I2S CLK	==	BT I2S CLK	28 32
			MAKE_BASE=TRUE	
39	CONN BT I2S DIN	==	BT I2S DIN	28 32
			MAKE_BASE=TRUE	
39	CONN BT I2S DOUT	==	BT I2S DOUT	28 32
			MAKE_BASE=TRUE	
39	CONN BT I2S LRCLK	==	BT I2S LRCLK	28 32
			MAKE_BASE=TRUE	
39	CONN BT WAKE	==	BT WAKE	6
			MAKE_BASE=TRUE	
39	CONN BT_HOST WAKE	==	BT_HOST WAKE	36
			MAKE_BASE=TRUE	
39	CONN BT RESET L	==	BT RESET L	36
			MAKE_BASE=TRUE	

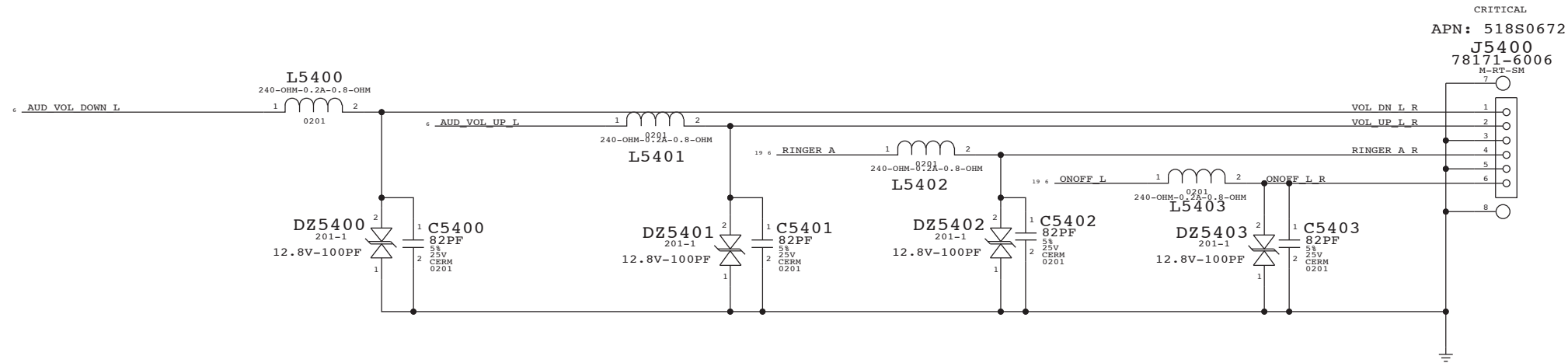
39	CONN VCC MAIN WL	==	=VCC MAIN WL	15
----	------------------	----	--------------	----

19 CLK 32K X17 == CONN\_CLK 32K X17 39


PAGE TITLE		
<b>60-PIN PORTRAIT DOCK CONN</b>		
 Apple Inc.	DRAWING NUMBER	051-8245
	REVISION	B.0.0
NOTICE OF PROPRIETARY PROPERTY:		
THE INFORMATION CONTAINED HEREIN IS THE PROPRIETARY PROPERTY OF APPLE COMPUTER, INC. THE POSSESSOR AGREES TO THE FOLLOWING:		
I TO MAINTAIN THIS DOCUMENT IN CONFIDENCE		
II NOT TO REPRODUCE OR COPY IT		
III NOT TO REVEAL OR PUBLISH IT IN WHOLE OR PART		
IV ALL RIGHTS RESERVED		
BRANCH	PAGE	51 OF 119
SHEET		39 OF 53

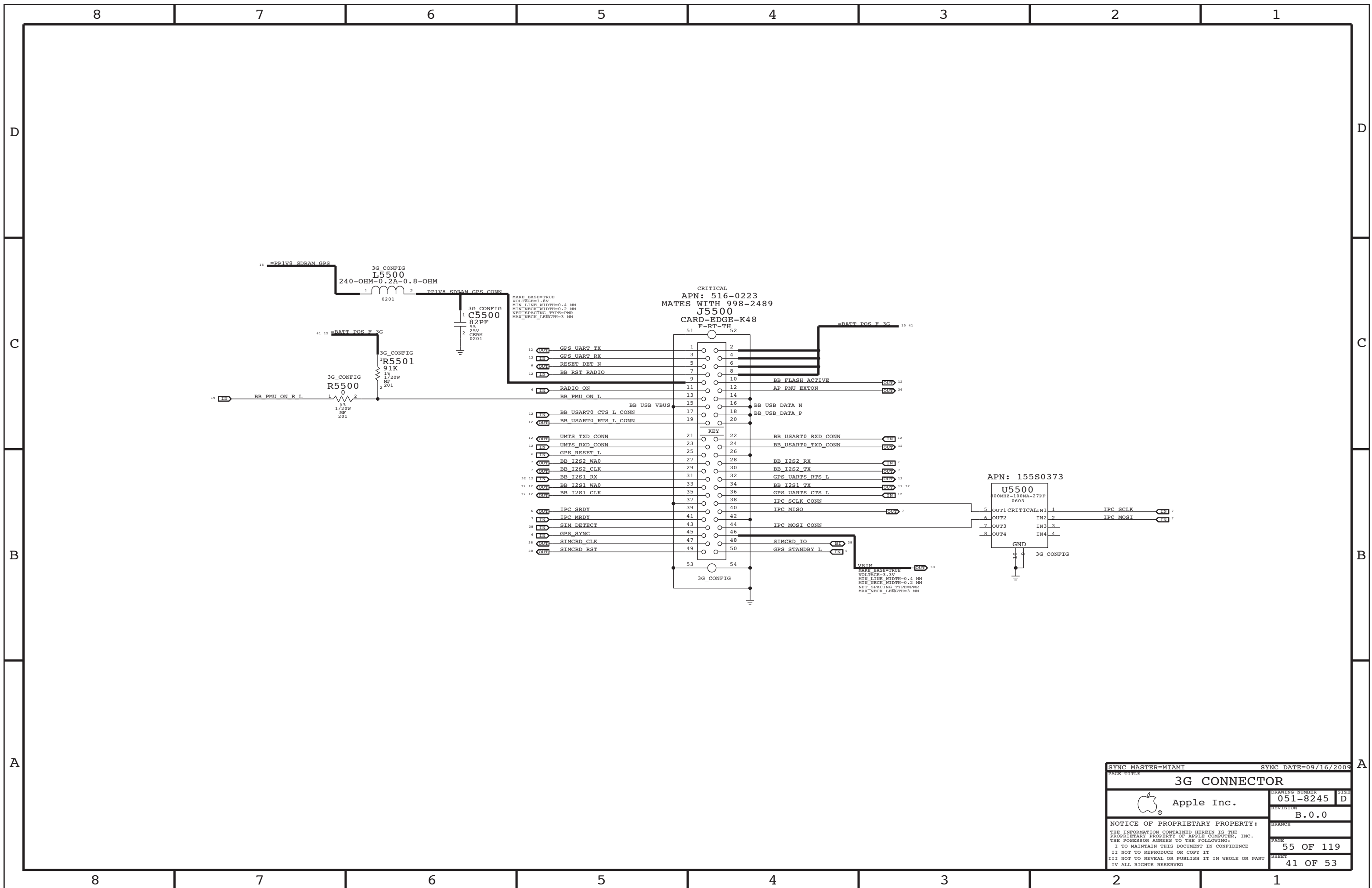


# BUTTON CONNECTOR

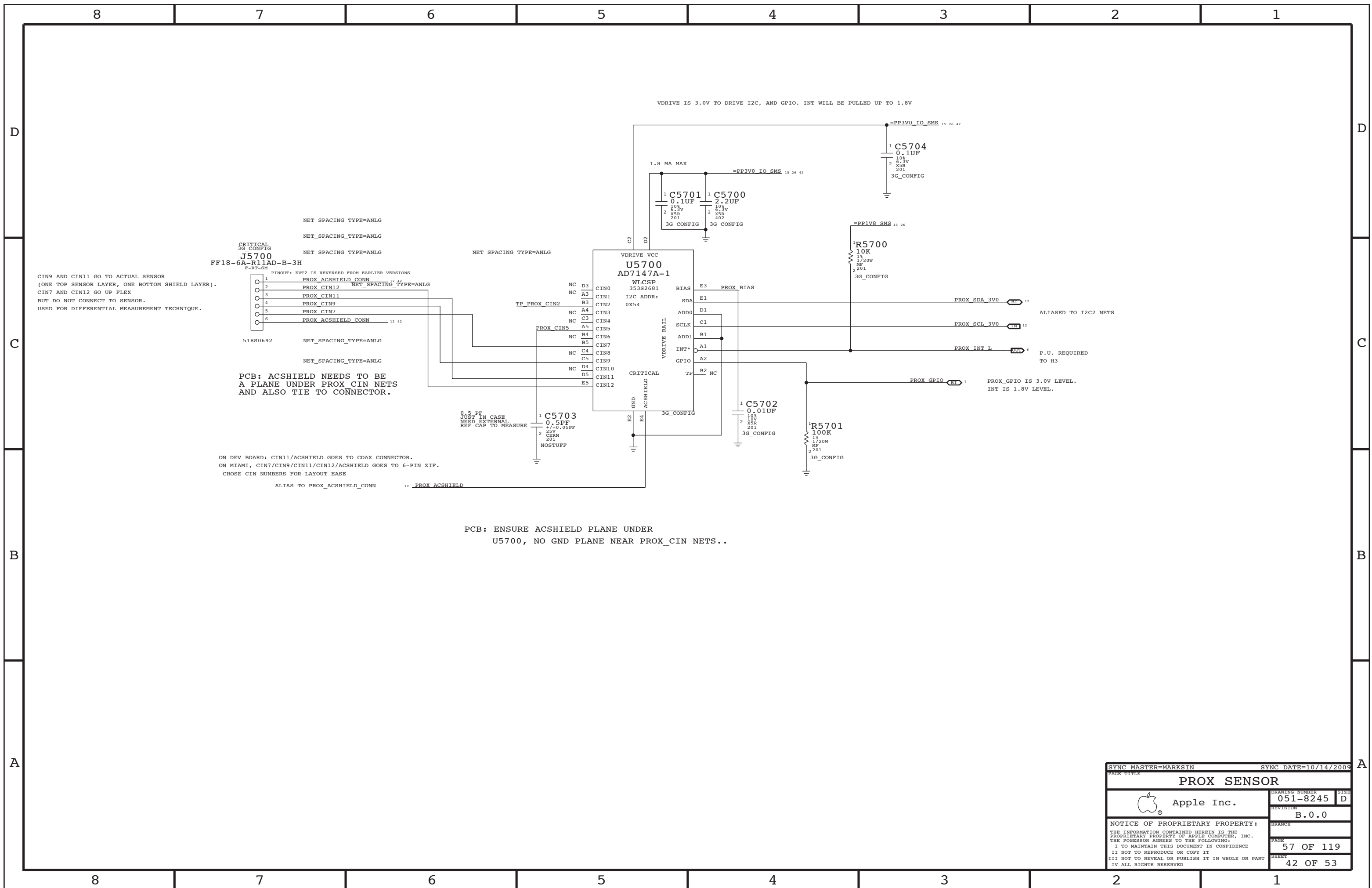


CRITICAL  
 APN: 518S0672  
 J5400  
 78171-6006  
 M-RT-SM

SYNC MASTER=MIAMI		SYNC DATE=09/16/2009	
<b>BUTTONS CONNECTOR</b>			
 Apple Inc.		DRAWING NUMBER	051-8245
		REVISION	B.0.0
NOTICE OF PROPRIETARY PROPERTY: THE INFORMATION CONTAINED HEREIN IS THE PROPRIETARY PROPERTY OF APPLE COMPUTER, INC. THE POSSESSOR AGREES TO THE FOLLOWING: I TO MAINTAIN THIS DOCUMENT IN CONFIDENCE II NOT TO REPRODUCE OR COPY IT III NOT TO REVEAL OR PUBLISH IT IN WHOLE OR PART IV ALL RIGHTS RESERVED		BRANCH	
		PAGE	54 OF 119
		SHEET	40 OF 53



SYNC MASTER=MIAMI		SYNC DATE=09/16/2009	
<b>3G CONNECTOR</b>			
Apple Inc.		DRAWING NUMBER	SIZE
		051-8245	D
		REVISION	
		B.0.0	
NOTICE OF PROPRIETARY PROPERTY: THE INFORMATION CONTAINED HEREIN IS THE PROPRIETARY PROPERTY OF APPLE COMPUTER, INC. THE POSSESSOR AGREES TO THE FOLLOWING: I TO MAINTAIN THIS DOCUMENT IN CONFIDENCE II NOT TO REPRODUCE OR COPY IT III NOT TO REVEAL OR PUBLISH IT IN WHOLE OR PART IV ALL RIGHTS RESERVED		BRANCH	
		PAGE	55 OF 119
		SHEET	41 OF 53



VDRIVE IS 3.0V TO DRIVE I2C, AND GPIO. INT WILL BE PULLED UP TO 1.8V

CIN9 AND CIN11 GO TO ACTUAL SENSOR  
(ONE TOP SENSOR LAYER, ONE BOTTOM SHIELD LAYER).  
CIN7 AND CIN12 GO UP FLEX  
BUT DO NOT CONNECT TO SENSOR.  
USED FOR DIFFERENTIAL MEASUREMENT TECHNIQUE.

NET\_SPACING\_TYPE=ANLG  
NET\_SPACING\_TYPE=ANLG  
NET\_SPACING\_TYPE=ANLG

FF18-6A-R11AD-B-3H  
F-RT-SH  
PINOUT: EVT2 IS REVERSED FROM EARLIER VERSIONS

1	PROX ACSHIELD CONN	12 42
2	PROX CIN12	NET_SPACING_TYPE=ANLG
3	PROX CIN11	
4	PROX CIN9	
5	PROX CIN7	
6	PROX ACSHIELD CONN	12 42

518S0692 NET\_SPACING\_TYPE=ANLG  
NET\_SPACING\_TYPE=ANLG

PCB: ACSHIELD NEEDS TO BE A PLANE UNDER PROX CIN NETS AND ALSO TIE TO CONNECTOR.

ON DEV BOARD: CIN11/ACSHIELD GOES TO COAX CONNECTOR.  
ON MIAMI, CIN7/CIN9/CIN11/CIN12/ACSHIELD GOES TO 6-PIN ZIP.  
CHOSE CIN NUMBERS FOR LAYOUT EASE

ALIAS TO PROX\_ACSHIELD\_CONN 12 \_PROX\_ACSHIELD

PCB: ENSURE ACSHIELD PLANE UNDER U5700, NO GND PLANE NEAR PROX\_CIN NETS..

SYNC MASTER=MARKSIN		SYNC DATE=10/14/2009	
<b>PROX SENSOR</b>			
Apple Inc.		DRAWING NUMBER	SIZE
		051-8245	D
		REVISION	
		B.0.0	
NOTICE OF PROPRIETARY PROPERTY: THE INFORMATION CONTAINED HEREIN IS THE PROPRIETARY PROPERTY OF APPLE COMPUTER, INC. THE POSSESSOR AGREES TO THE FOLLOWING: I TO MAINTAIN THIS DOCUMENT IN CONFIDENCE II NOT TO REPRODUCE OR COPY IT III NOT TO REVEAL OR PUBLISH IT IN WHOLE OR PART IV ALL RIGHTS RESERVED		BRANCH	
		PAGE	57 OF 119
		SHEET	42 OF 53

### 16GB FLASH CONFIGURATIONS

PART#	QTY	DESCRIPTION	REFERENCE DESIGNATOR(S)	BOM OPTION
335S0648	2	TOSHIBA 43NM 8GB	U6700,U6710	16GB_PROD

PART NUMBER	ALTERNATE FOR PART NUMBER	BOM OPTION	REF DES	COMMENTS:
335S0683	335S0648	16GB_PROD	U6700,U6710	SAMSUNG 35NM 8GB

### 32GB FLASH CONFIGURATIONS

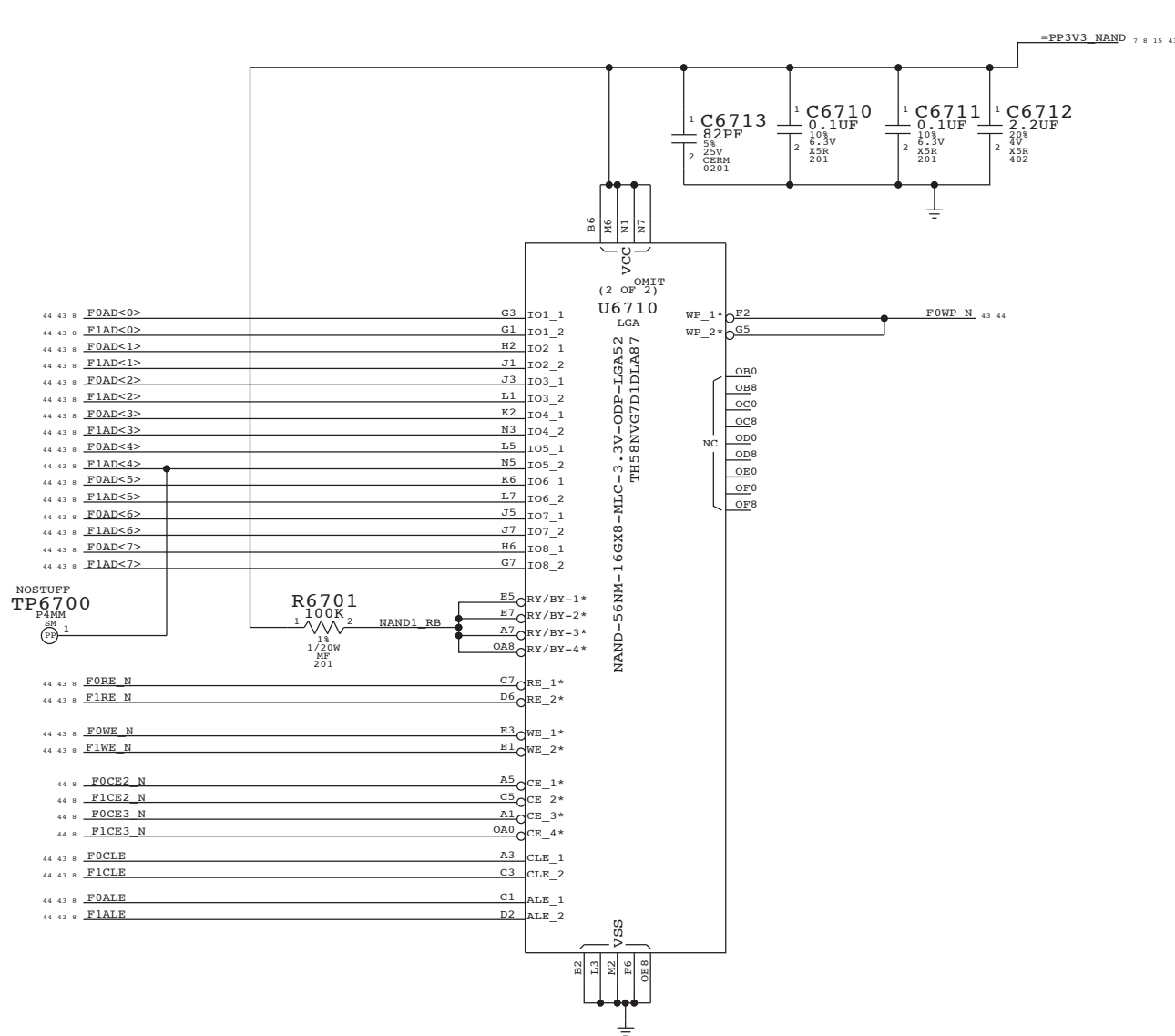
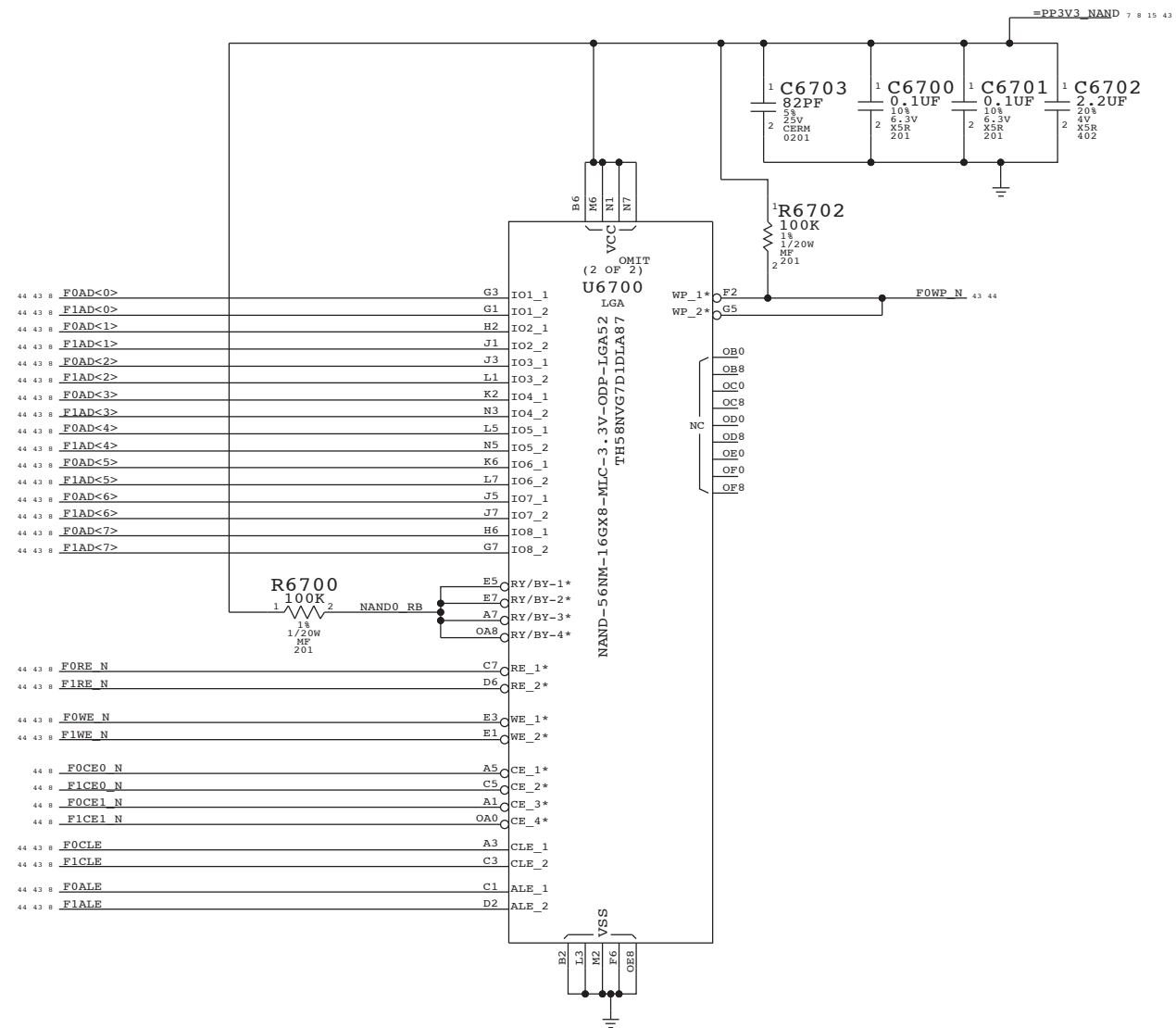
PART#	QTY	DESCRIPTION	REFERENCE DESIGNATOR(S)	BOM OPTION
335S0649	2	TOSHIBA 43NM 16GB	U6700,U6710	32GB_PROD

PART NUMBER	ALTERNATE FOR PART NUMBER	BOM OPTION	REF DES	COMMENTS:
335S0682	335S0649	32GB_PROD	U6700,U6710	SAMSUNG 35NM 16GB

### 64GB FLASH CONFIGURATIONS

PART#	QTY	DESCRIPTION	REFERENCE DESIGNATOR(S)	BOM OPTION
335S0650	2	TOSHIBA 43NM 32GB	U6700,U6710	64GB_PROD

PART NUMBER	ALTERNATE FOR PART NUMBER	BOM OPTION	REF DES	COMMENTS:
335S0665	335S0650	64GB_PROD	U6700,U6710	SAMSUNG 35NM 32GB



SYNC MASTER=MIAMI		SYNC DATE=09/16/2009	
<b>FLASH</b>			
Apple Inc.		DRAWING NUMBER	SIZE
		051-8245	D
		REVISION	
		B.0.0	
NOTICE OF PROPRIETARY PROPERTY:			
THE INFORMATION CONTAINED HEREIN IS THE PROPRIETARY PROPERTY OF APPLE COMPUTER, INC. THE POSSESSOR AGREES TO THE FOLLOWING:			
I TO MAINTAIN THIS DOCUMENT IN CONFIDENCE			
II NOT TO REPRODUCE OR COPY IT			
III NOT TO REVEAL OR PUBLISH IT IN WHOLE OR PART			
IV ALL RIGHTS RESERVED			
		PAGE	
		67 OF 119	
		SHEET	
		43 OF 53	

**Clock Signal Constraints**

NET_PHYSICAL_TYPE	AREA_TYPE	PHYSICAL_RULE_SET
CLK_50S	*	50_OHM_SE

NET_SPACING_TYPE1	NET_SPACING_TYPE2	AREA_TYPE	SPACING_RULE_SET
CLK	*	*	0P5MM_SPACING

**USB 2.0 Interface Constraints**

NET_PHYSICAL_TYPE	AREA_TYPE	PHYSICAL_RULE_SET
USB_90D	*	90_OHM_DIFF

NET_SPACING_TYPE1	NET_SPACING_TYPE2	AREA_TYPE	SPACING_RULE_SET
USB	*	*	0P5MM_SPACING

**OTHER CONSTRAINTS**


NET_PHYSICAL_TYPE	AREA_TYPE	PHYSICAL_RULE_SET
I2C_50S	*	50_OHM_SE
NAND_50S	*	50_OHM_SE
AUDIO	*	1:1_DIFFPAIR
SPEAKER	*	SPEAKER

NET_SPACING_TYPE1	NET_SPACING_TYPE2	AREA_TYPE	SPACING_RULE_SET
NAND	*	*	1.5:1_SPACING
I2C	*	*	1.5:1_SPACING
AUDIO	*	*	3:1_SPACING

ELECTRICAL_CONSTRAINT_SET	NET_TYPE		NET_NAME	PIN
	PHYSICAL	SPACING		
E115		JTAG	AP_TCK	6 39
E116		JTAG	AP_TMS	6 39
E117		JTAG	AP_TDI	6 12
E118		JTAG	AP_TDO	12
E120		JTAG	AP_RTCK	
E18	USB	USB_90D	USB_LAND DOCK_P	27 38
E19	USB	USB_90D	USB_LAND DOCK_N	27 38
E20	USB	USB_90D	USB_PORT DOCK_P	27 39
E21	USB	USB_90D	USB_PORT DOCK_N	27 39
E22		USB_90D	EXTCONA USB D_P	38
E23		USB_90D	EXTCONA USB D_N	38
E24	USB	USB_90D	USB_DP	6 27
E25	USB	USB_90D	USB_DM	6 27
E227			I2S1_DOUT	7 12
E228			I2S1_DIN	7 12
E229			I2S1_BCLK	7 12
E230			I2S1_LRCLK	7 12
E231			I2S1_MCLK	
E23		CLK_50S	CLK	CLK_32K_PMU 19 24
E152		NAND_50S	F1AD<7..0>	8 43
E153		NAND_50S	F0AD<7..0>	8 43
E154		NAND_50S	F0CE0_N	8 43
E155		NAND_50S	F0CE1_N	8 43
E156		NAND_50S	F0CE2_N	8 43
E157		NAND_50S	F0CE3_N	8 43
E158		NAND_50S	F0CLE	8 43
E159		NAND_50S	F0ALE	8 43
E160		NAND_50S	F0RE_N	8 43
E161		NAND_50S	F0WE_N	8 43
E162		NAND_50S	F0WP_N	43
E163		NAND_50S	F1CE0_N	8 43
E164		NAND_50S	F1CE1_N	8 43
E165		NAND_50S	F1CE2_N	8 43
E166		NAND_50S	F1CE3_N	8 43
E167		NAND_50S	F1CLE	8 43
E168		NAND_50S	F1ALE	8 43
E169		NAND_50S	F1RE_N	8 43
E170		NAND_50S	F1WE_N	8 43
E171		NAND_50S	F1WP_N	
E180	SPEAKER	AUDIO	SPKRAMP_L_OUT_P	29
E181	SPEAKER	AUDIO	SPKRAMP_L_OUT_N	29
E182	SPEAKER	AUDIO	SPKRAMP_R_OUT_P	29
E183	SPEAKER	AUDIO	SPKRAMP_R_OUT_N	29
E184	SPEAKER_ECS	AUDIO	EAR_OUT_P	28 29
E185	AUDIO	AUDIO	EAR_OUT_N	28 29
E220	AUDIO	AUDIO	SSM2319_L_IN_P	29
E221	AUDIO	AUDIO	SSM2319_L_IN_N	29
E186	SPEAKER_ECS	AUDIO	MONO_OUT_P	28 29
E187	AUDIO	AUDIO	MONO_OUT_N	28 29
E188	AUDIO	AUDIO	SSM2319_R_IN_P	29
E189	AUDIO	AUDIO	SSM2319_R_IN_N	29

**I2C BUS NET PROPERTIES**

ELECTRICAL_CONSTRAINT_SET	NET_TYPE		NET_NAME	PIN
	PHYSICAL	SPACING		
E11	I2C1_ECS	I2C_50S	I2C	I2C1_SDA_1V8 7
E12	I2C1_ECS	I2C_50S	I2C	I2C1_SCL_1V8 7
E13	I2C0_ECS	I2C_50S	I2C	I2C0_SDA_1V8 7 17 19 26 28 33 36
E14	I2C0_ECS	I2C_50S	I2C	I2C0_SCL_1V8 7 17 19 26 28 33 36
E15	I2C2_ECS	I2C_50S	I2C	I2C2_SDA_3V0 7 12 13 17 26 35 44
E16	I2C2_ECS	I2C_50S	I2C	I2C2_SCL_3V0 7 12 13 17 26 35 44

SYNC MASTER=MIAMI		SYNC DATE=09/16/2009	
<b>CONSTRAINTS</b>			
 Apple Inc.		DRAWING NUMBER	051-8245
		REVISION	B.0.0
NOTICE OF PROPRIETARY PROPERTY: THE INFORMATION CONTAINED HEREIN IS THE PROPRIETARY PROPERTY OF APPLE COMPUTER, INC. THE POSSESSOR AGREES TO THE FOLLOWING: I TO MAINTAIN THIS DOCUMENT IN CONFIDENCE II NOT TO REPRODUCE OR COPY IT III NOT TO REVEAL OR PUBLISH IT IN WHOLE OR PART IV ALL RIGHTS RESERVED		BRANCH	
		PAGE	100 OF 119
		SHEET	44 OF 53
		SIZE	D

Video Signal Constraints

PHYSICAL_RULE_SET	LAYER	ALLOW ROUTE ON LAYER?	MINIMUM LINE WIDTH	MINIMUM NECK WIDTH	MAXIMUM NECK LENGTH	DIFFPAIR PRIMARY GAP	DIFFPAIR NECK GAP
VID_50S	*	Y	=50_OHM_SE	=50_OHM_SE	=50_OHM_SE	=STANDARD	=STANDARD

NET_PHYSICAL_TYPE	AREA_TYPE	PHYSICAL_RULE_SET
LVDS_100D	*	90_OHM_DIFF
MIPI_100D	*	90_OHM_DIFF
SMIA_100D	*	90_OHM_DIFF
DP_100D	*	90_OHM_DIFF

NET_SPACING_TYPE1	NET_SPACING_TYPE2	AREA_TYPE	SPACING_RULE_SET
ANALOG_VIDEO	*	*	2.5:1_SPACING
LVDS	*	*	4:1_SPACING
MIPI	*	*	4:1_SPACING
SMIA	*	*	4:1_SPACING
DP	*	*	4:1_SPACING

SDIO SIGNAL CONSTRAINTS

NET_PHYSICAL_TYPE	AREA_TYPE	PHYSICAL_RULE_SET
SDIO_50S	*	50_OHM_SE

NET_SPACING_TYPE1	NET_SPACING_TYPE2	AREA_TYPE	SPACING_RULE_SET
SDIO	*	*	1.5:1_SPACING

ANALOG VIDEO CONSTRAINTS

ELECTRICAL_CONSTRAINT_SET	NET_TYPE			
	PHYSICAL	SPACING		
E230	VID_50S	ANALOG_VIDEO	DAC_OUT1	10
E231	VID_50S	ANALOG_VIDEO	DAC_OUT2	10
E232	VID_50S	ANALOG_VIDEO	DAC_OUT3	10
E233	VID_50S	ANALOG_VIDEO	LAND_YOUT	10
E234	VID_50S	ANALOG_VIDEO	LAND_CVBS_OUT	10
E235	VID_50S	ANALOG_VIDEO	LAND_COUT	10
E236	VID_50S	ANALOG_VIDEO	PORT_YOUT	10
E237	VID_50S	ANALOG_VIDEO	PORT_CVBS_OUT	10
E238	VID_50S	ANALOG_VIDEO	PORT_COUT	10
E239	VID_50S	ANALOG_VIDEO	DOCK1_CVBS_PB	10 38
E240	VID_50S	ANALOG_VIDEO	DOCK1_C_Y	10 38
E241	VID_50S	ANALOG_VIDEO	DOCK1_Y_PR	10 38
E242	VID_50S	ANALOG_VIDEO	EXTCONA_CVBS_PB_1	38
E243	VID_50S	ANALOG_VIDEO	EXTCONA_C_Y_1	38
E244	VID_50S	ANALOG_VIDEO	EXTCONA_Y_PR_1	38
E245	VID_50S	ANALOG_VIDEO	DOCK2_CVBS_PB	10 12 39
E246	VID_50S	ANALOG_VIDEO	DOCK2_C_Y	10 12 39
E247	VID_50S	ANALOG_VIDEO	DOCK2_Y_PR	10 12 39

MIPI, SMIA AND DISPLAYPORT BUS CONSTRAINTS

ELECTRICAL_CONSTRAINT_SET	NET_TYPE			
	PHYSICAL	SPACING		
E248	MIPI_ECS	MIPI_100D	MIPI	H3 MIPID DATA P<0>
E249	MIPI_ECS	MIPI_100D	MIPI	H3 MIPID DATA N<0>
E250	MIPI_ECS	MIPI_100D	MIPI	H3 MIPID DATA P<1>
E251	MIPI_ECS	MIPI_100D	MIPI	H3 MIPID DATA N<1>
E252	MIPI_ECS	MIPI_100D	MIPI	H3 MIPID DATA P<2>
E253	MIPI_ECS	MIPI_100D	MIPI	H3 MIPID DATA N<2>
E254	MIPI_ECS	MIPI_100D	MIPI	H3 MIPID DATA P<3>
E255	MIPI_ECS	MIPI_100D	MIPI	H3 MIPID DATA N<3>
E256	MIPI_ECS	MIPI_100D	MIPI	H3 MIPID CLK P
E257	MIPI_ECS	MIPI_100D	MIPI	H3 MIPID CLK N
E258	SMIA_ECS	SMIA_100D	SMIA	CAM SMIA DATA P
E259	SMIA_ECS	SMIA_100D	SMIA	CAM SMIA DATA N
E260	SMIA_ECS	SMIA_100D	SMIA	CAM SMIA CLK P
E261	SMIA_ECS	SMIA_100D	SMIA	CAM SMIA CLK N
E262	SMIA_ECS	SMIA_100D	SMIA	CONN SMIA CLK P
E263	SMIA_ECS	SMIA_100D	SMIA	CONN SMIA CLK N
E264	DP_H3_ECS	DP_100D	DP	H3 DP TX P<0>
E265	DP_H3_ECS	DP_100D	DP	H3 DP TX N<0>
E266	DP_H3_ECS	DP_100D	DP	H3 DP TX P<1>
E267	DP_H3_ECS	DP_100D	DP	H3 DP TX N<1>
E268	DP_H3_ECS	DP_100D	DP	H3 DP AUX P
E269	DP_H3_ECS	DP_100D	DP	H3 DP AUX N
E270	DP_H3_ECS	DP_100D	DP	SW DP TX P<0>
E271	DP_H3_ECS	DP_100D	DP	SW DP TX N<0>
E272	DP_H3_ECS	DP_100D	DP	SW DP TX P<1>
E273	DP_H3_ECS	DP_100D	DP	SW DP TX N<1>
E274	DP_H3_ECS	DP_100D	DP	SW DP AUX P
E275	DP_H3_ECS	DP_100D	DP	SW DP AUX N
E276	DP_PORT_ECS	DP_100D	DP	SW_PT DP TX P<0>
E277	DP_PORT_ECS	DP_100D	DP	SW_PT DP TX N<0>
E278	DP_PORT_ECS	DP_100D	DP	SW_PT DP TX P<1>
E279	DP_PORT_ECS	DP_100D	DP	SW_PT DP TX N<1>
E280	DP_PORT_ECS	DP_100D	DP	SW_PT DP AUX P
E281	DP_PORT_ECS	DP_100D	DP	SW_PT DP AUX N
E282	DP_PORT_ECS	DP_100D	DP	SW_LD DP TX P<0>
E283	DP_PORT_ECS	DP_100D	DP	SW_LD DP TX N<0>
E284	DP_PORT_ECS	DP_100D	DP	SW_LD DP TX P<1>
E285	DP_PORT_ECS	DP_100D	DP	SW_LD DP TX N<1>
E286	DP_PORT_ECS	DP_100D	DP	SW_LD DP AUX P
E287	DP_PORT_ECS	DP_100D	DP	SW_LD DP AUX N
E288	DP_PORT_ECS	DP_100D	DP	LAND DP TX0 P
E289	DP_PORT_ECS	DP_100D	DP	LAND DP TX0 N
E290	DP_PORT_ECS	DP_100D	DP	LAND DP TX1 P
E291	DP_PORT_ECS	DP_100D	DP	LAND DP TX1 N
E292	DP_PORT_ECS	DP_100D	DP	LAND DP AUX P
E293	DP_PORT_ECS	DP_100D	DP	LAND DP AUX N

LVDS CONSTRAINTS

ELECTRICAL_CONSTRAINT_SET	NET_TYPE			
	PHYSICAL	SPACING		
E294	LVDS_ECS	LVDS_100D	LVDS	LVDS DATA P<2..0>
E295	LVDS_ECS	LVDS_100D	LVDS	LVDS DATA N<2..0>
E296	LVDS_ECS	LVDS_100D	LVDS	LVDS CLK P
E297	LVDS_ECS	LVDS_100D	LVDS	LVDS CLK N
E298	LVDS_ECS	LVDS_100D	LVDS	LVDS CONN CLK P
E299	LVDS_ECS	LVDS_100D	LVDS	LVDS CONN CLK N
E300	LVDS_ECS	LVDS_100D	LVDS	LVDS DAT P<2..0>
E301	LVDS_ECS	LVDS_100D	LVDS	LVDS DAT N<2..0>

HX SDIO CONSTRAINTS

ELECTRICAL_CONSTRAINT_SET	NET_TYPE			
	PHYSICAL	SPACING		
E302	WLAN_SDIO_ECS	SDIO_50S	SDIO	WLAN SDIO CLK
E303	WLAN_SDIO_CMD_ECS	SDIO_50S	SDIO	WLAN SDIO CMD
E304	WLAN_SDIO_ECS	SDIO_50S	SDIO	WLAN SDIO DATA<3..0>

SYNC MASTER=MIAMI SYNC DATE=09/16/2009

PAGE TITLE

**MORE CONSTRAINTS**

Apple Inc.

DRAWING NUMBER: 051-8245 SIZE: D

REVISION: B.0.0

NOTICE OF PROPRIETARY PROPERTY:

THE INFORMATION CONTAINED HEREIN IS THE PROPRIETARY PROPERTY OF APPLE COMPUTER, INC. THE POSSESSOR AGREES TO THE FOLLOWING:

I TO MAINTAIN THIS DOCUMENT IN CONFIDENCE

II NOT TO REPRODUCE OR COPY IT

III NOT TO REVEAL OR PUBLISH IT IN WHOLE OR PART

IV ALL RIGHTS RESERVED

PAGE: 101 OF 119

SHEET: 45 OF 53



MIAMI BOARD-SPECIFIC SPACING & PHYSICAL CONSTRAINTS (10-LAYER)

BOARD LAYERS		BOARD AREAS		BOARD UNITS (MIL OR MM)	ALLEGRO VERSION
TOP, ISL2, ISL3, ISL4, ISL5, ISL6, ISL7, ISL8, ISL9, BOTTOM		NO_TYPE, BGA		MM	15.2

PHYSICAL_RULE_SET	LAYER	ALLOW ROUTE ON LAYER?	MINIMUM LINE WIDTH	MINIMUM NECK WIDTH	MAXIMUM NECK LENGTH	DIFFPAIR PRIMARY GAP	DIFFPAIR NECK GAP
DEFAULT	*	Y	=50_OHM_SE	=50_OHM_SE	30 MM	0 MM	0 MM
STANDARD	*	Y	=DEFAULT	=DEFAULT	12.7 MM	=DEFAULT	=DEFAULT

PHYSICAL_RULE_SET	LAYER	ALLOW ROUTE ON LAYER?	MINIMUM LINE WIDTH	MINIMUM NECK WIDTH	MAXIMUM NECK LENGTH	DIFFPAIR PRIMARY GAP	DIFFPAIR NECK GAP
50_OHM_SE	TOP, BOTTOM	Y	0.230 MM	0.070 MM	3.0 MM		
50_OHM_SE	ISL2, ISL9	Y	0.076 MM	0.070 MM	3.0 MM		
50_OHM_SE	ISL4, ISL7	Y	0.076 MM	0.070 MM	3.0 MM		
50_OHM_SE	*	N	0.070 MM	0.070 MM	3.0 MM		

PHYSICAL_RULE_SET	LAYER	ALLOW ROUTE ON LAYER?	MINIMUM LINE WIDTH	MINIMUM NECK WIDTH	MAXIMUM NECK LENGTH	DIFFPAIR PRIMARY GAP	DIFFPAIR NECK GAP
BGA	*	Y	0.075 MM	0.075 MM	=STANDARD	0.076 MM	0.075 MM

PHYSICAL_RULE_SET	LAYER	ALLOW ROUTE ON LAYER?	MINIMUM LINE WIDTH	MINIMUM NECK WIDTH	MAXIMUM NECK LENGTH	DIFFPAIR PRIMARY GAP	DIFFPAIR NECK GAP
90_OHM_DIFF	*	Y	=STANDARD	=STANDARD	=STANDARD	=STANDARD	=STANDARD
90_OHM_DIFF	ISL4, ISL7	Y	0.070 MM	0.070 MM		0.200 MM	0.100 MM
90_OHM_DIFF	TOP, BOTTOM	Y	0.070 MM	0.070 MM		0.200 MM	0.200 MM

PHYSICAL_RULE_SET	LAYER	ALLOW ROUTE ON LAYER?	MINIMUM LINE WIDTH	MINIMUM NECK WIDTH	MAXIMUM NECK LENGTH	DIFFPAIR PRIMARY GAP	DIFFPAIR NECK GAP
1:1_DIFFPAIR	*	Y	=STANDARD	=STANDARD	=STANDARD	0.075 MM	0.075 MM
SPEAKER	*	Y	0.3 MM	0.19MM	10 MM	0.075 MM	0.075 MM

SPACING_RULE_SET	LAYER	LINE-TO-LINE SPACING	WEIGHT
DEFAULT	*	0.08 MM	?
STANDARD	*	=DEFAULT	?
BGA	*	=DEFAULT	?

NET_SPACING_TYPE1	NET_SPACING_TYPE2	AREA_TYPE	SPACING_RULE_SET
*	*	BGA	BGA
CLK	*	BGA	BGA
PWR	*	*	PWR_P1SPACING
GND	*	*	GND_P1SPACING
SWITCHNODE	*	*	SWITCHNODE
PWR	*	*	PWR_P1SPACING
ANLG	*	*	3:1_SPACING
CRYSTAL	*	*	3:1_SPACING
JTAG	*	*	2:1_SPACING
I2S_ST	*	*	2:1_SPACING
I2S_ST	I2S_ST	*	1.5:1_SPACING

NET_PHYSICAL_TYPE	AREA_TYPE	PHYSICAL_RULE_SET
*	BGA	BGA

NOTES:

- 0.075 MM ~ 3 MIL
- 0.089 MM ~ 3.5 MIL
- 0.102 MM ~ 4 MIL
- 0.114 MM ~ 4.5 MIL
- 0.125 MM ~ 5 MIL
- 0.140 MM ~ 5.5 MIL
- 0.15 MM ~ 6 MIL
- 0.18 MM ~ 7 MIL
- 0.2 MM ~ 8 MIL
- 0.25 MM ~ 10 MIL
- 0.3 MM ~ 12 MIL
- 0.33 MM ~ 13 MIL
- 0.4 MM ~ 16 MIL
- 1.0 MM = 39.37 MIL

SPACING_RULE_SET	LAYER	LINE-TO-LINE SPACING	WEIGHT
1:1_SPACING	*	0.075 MM	?
1.5:1_SPACING	*	0.114 MM	?
1.8:1_SPACING	*	0.136 MM	?
2:1_SPACING	*	0.152 MM	?
2.5:1_SPACING	*	0.190 MM	?
3:1_SPACING	*	0.228 MM	?
4:1_SPACING	*	0.304 MM	?
0P64MM_SPACING	*	0.64 MM	?
0P5MM_SPACING	*	0.5 MM	?
PWR_P1SPACING	*	0.1 MM	900
GND_P1SPACING	*	0.1 MM	950
SWITCHNODE	*	0.5 MM	1000
SWITCHNODE	TOP, BOTTOM	0.2 MM	1000

SYNC MASTER=MIAMI		SYNC DATE=09/16/2009	
PHYSICAL/SPACING RULES			
Apple Inc.		DRAWING NUMBER	051-8245
		REVISION	B.0.0
NOTICE OF PROPRIETARY PROPERTY:		BRANCH	
THE INFORMATION CONTAINED HEREIN IS THE PROPRIETARY PROPERTY OF APPLE COMPUTER, INC. THE POSSESSOR AGREES TO THE FOLLOWING:		PAGE	106 OF 119
I TO MAINTAIN THIS DOCUMENT IN CONFIDENCE		SHEET	46 OF 53
II NOT TO REPRODUCE OR COPY IT			
III NOT TO REVEAL OR PUBLISH IT IN WHOLE OR PART			
IV ALL RIGHTS RESERVED			









	8	7	6	5	4	3	2	1
	TP_LVDS_DATAP3	TP_LVDS_DATAP3 - @lost_lib.LOST	9C6					
	TP_LVDS_VSYNC_OUT	TP_LVDS_VSYNC_OUT - @lost_lib.LOST	5D6 32C2					
	TP_PCIE_PER1_N	TP_PCIE_PER1_N - @lost_lib.LOST	9B4					
	TP_PCIE_PER1_P	TP_PCIE_PER1_P - @lost_lib.LOST	9B4					
	TP_PCIE_PER2_N	TP_PCIE_PER2_N - @lost_lib.LOST	9B4					
	TP_PCIE_PER2_P	TP_PCIE_PER2_P - @lost_lib.LOST	9B4					
	TP_PCIE_PET1_N	TP_PCIE_PET1_N - @lost_lib.LOST	9B4					
	TP_PCIE_PET1_P	TP_PCIE_PET1_P - @lost_lib.LOST	9B4					
	TP_PCIE_PET2_N	TP_PCIE_PET2_N - @lost_lib.LOST	9B4					
	TP_PCIE_PET2_P	TP_PCIE_PET2_P - @lost_lib.LOST	9B4					
	TP_SCART_CVBS	TP_SCART_CVBS - @lost_lib.LOST	94C5					
	TP_SCART_VGA_B	TP_SCART_VGA_B - @lost_lib.LOST	94C5					
	TP_SCART_VGA_G	TP_SCART_VGA_G - @lost_lib.LOST	94C5					
	TP_SCART_VGA_R	TP_SCART_VGA_R - @lost_lib.LOST	94C5					
	TP_SCH_CLK_LPC_1	TP_SCH_CLK_LPC_1 - @lost_lib.LOST	9D6					
	TP_SCH_CLK_LPC_2	TP_SCH_CLK_LPC_2 - @lost_lib.LOST	9D6					
	TP_SCH_GPIOSUB0	TP_SCH_GPIOSUB0 - @lost_lib.LOST	10C5					
	TP_SCH_GPIO_9	TP_SCH_GPIO_9 - @lost_lib.LOST	10B5					
	TP_SCH_PILMON1	TP_SCH_PILMON1 - @lost_lib.LOST	8A6					
	TP_SCH_PILMON1_L	TP_SCH_PILMON1_L - @lost_lib.LOST	8A6					
	TP_SCH_RESVRD0	TP_SCH_RESVRD0 - @lost_lib.LOST	9D4					
	TP_SCH_RESVRD8	TP_SCH_RESVRD8 - @lost_lib.LOST	9D4					
	TP_SCH_SD0_DATA6	TP_SCH_SD0_DATA6 - @lost_lib.LOST	9B6					
	TP_SCH_SD1_CLK	TP_SCH_SD1_CLK - @lost_lib.LOST	9B6					
	TP_SCH_SD2_CLK	TP_SCH_SD2_CLK - @lost_lib.LOST	9B6					
	TP_U0600_G28	TP_U0600_G28 - @lost_lib.LOST	6B5					
	TP_U0600_R27	TP_U0600_R27 - @lost_lib.LOST	6B7					
	TP_U0600_U30	TP_U0600_U30 - @lost_lib.LOST	6B5					
	TP_U0600_V27	TP_U0600_V27 - @lost_lib.LOST	6B5					
	TP_U3101_TCK	TP_U3101_TCK - @lost_lib.LOST	31C6					
	TP_U3101_TDI	TP_U3101_TDI - @lost_lib.LOST	31C6					
	TP_U3101_TDO	TP_U3101_TDO - @lost_lib.LOST	31C6					
	TP_U3101_TMS	TP_U3101_TMS - @lost_lib.LOST	31C6					
	TP_USB_D_N	TP_USB_D_N - @lost_lib.LOST	10D7 103B4					
	TP_USB_D_P	TP_USB_D_P - @lost_lib.LOST	10D7 103B4					
	TP_USB_G_N	TP_USB_G_N - @lost_lib.LOST	10D7 103B4					
	TP_USB_G_P	TP_USB_G_P - @lost_lib.LOST	10D7 103B4					
	TP_USB_H_N	TP_USB_H_N - @lost_lib.LOST	10D7 103B4					
	TP_USB_H_P	TP_USB_H_P - @lost_lib.LOST	10D7 103B4					
	TP_WL_TCK	TP_WL_TCK - @lost_lib.LOST	96B3					
	TP_WL_TDI	TP_WL_TDI - @lost_lib.LOST	96B3					
	TP_WL_TDO	TP_WL_TDO - @lost_lib.LOST	96B3					
	TP_WL_TMS	TP_WL_TMS - @lost_lib.LOST	96B3					
	TP_WL_TRST_L	TP_WL_TRST_L - @lost_lib.LOST	96B3					
	TVCLK_N	TVCLK_N - @lost_lib.LOST	94B7 101B4					
	TVCLK_P	TVCLK_P - @lost_lib.LOST	94B7 101B4					
	TVOUT_DOCKS_EN	TVOUT_DOCKS_EN - @lost_lib.LOST	10B4 10C2 75B8					
	U6700_R1	U6700_R1 - @lost_lib.LOST	67B6					
	U6700_R2	U6700_R2 - @lost_lib.LOST	67B6					
	U6700_R3	U6700_R3 - @lost_lib.LOST	67B6					
	U6700_R4	U6700_R4 - @lost_lib.LOST	67B6					
	U6710_R1	U6710_R1 - @lost_lib.LOST	67B3					
	U6710_R2	U6710_R2 - @lost_lib.LOST	67B3					
	U6710_R3	U6710_R3 - @lost_lib.LOST	67B3					
	U6710_R4	U6710_R4 - @lost_lib.LOST	67B3					
	USBA_EXT_N	USBA_EXT_N - @lost_lib.LOST	35D6					
	USBA_EXT_P	USBA_EXT_P - @lost_lib.LOST	35D6					
	USBA_GATE	USBA_GATE - @lost_lib.LOST	18D3					
	USBA_GATE_D	USBA_GATE_D - @lost_lib.LOST	18C3					
	USBA_PWR_DETECT_L	USBA_PWR_DETECT_L - @lost_lib.LOST	18D2 28B8					
	USBA_PWR_SLCT	USBA_PWR_SLCT - @lost_lib.LOST	18C2 28C8					
	USBB_EXT_N	USBB_EXT_N - @lost_lib.LOST	35B6					
	USBB_EXT_P	USBB_EXT_P - @lost_lib.LOST	35C6					
	USBB_GATE	USBB_GATE - @lost_lib.LOST	18C5					
	USBB_GATE_D	USBB_GATE_D - @lost_lib.LOST	18C4					
	USBB_PWR_DETECT_L	USBB_PWR_DETECT_L - @lost_lib.LOST	18C3 28B8					
	USBB_PWR_SLCT	USBB_PWR_SLCT - @lost_lib.LOST	18C4 28C8					
	USBCC	USBCC - @lost_lib.LOST	10B5 28B5					
	USB_BT_N	USB_BT_N - @lost_lib.LOST	10D7 97C5 103C4					
	USB_BT_P	USB_BT_P - @lost_lib.LOST	10D7 97C5 103C4					
	USB_CAMERA_CONN_N	USB_CAMERA_CONN_N - @lost_lib.LOST	5B6 46C6 103D4					
	USB_CAMERA_CONN_P	USB_CAMERA_CONN_P - @lost_lib.LOST	5B6 46C6 103D4					
	USB_CAMERA_N	USB_CAMERA_N - @lost_lib.LOST	10D7 46C6 103D4					
	USB_CAMERA_P	USB_CAMERA_P - @lost_lib.LOST	10D7 46C6 103D4					
	USB_C_N	USB_C_N - @lost_lib.LOST	10D7 35A4 103D4					
	USB_C_P	USB_C_P - @lost_lib.LOST	10D7 35A4 103D4					
	USB_DOCKS_MUX_N	USB_DOCKS_MUX_N - @lost_lib.LOST	10D7					
	USB_DOCKS_MUX_P	USB_DOCKS_MUX_P - @lost_lib.LOST	10D7					
	USB_FLASH_CON_N	USB_FLASH_CON_N - @lost_lib.LOST	65B5 103D4					
	USB_FLASH_CON_P	USB_FLASH_CON_P - @lost_lib.LOST	65C5 103D4					
	USB_FLASH_N	USB_FLASH_N - @lost_lib.LOST	10D7 65B6 103D4					
	USB_FLASH_P	USB_FLASH_P - @lost_lib.LOST	10D7 65C6 103D4					
	USB_GRAPE_N	USB_GRAPE_N - @lost_lib.LOST	10D7 30D4 103C4					
	USB_GRAPE_P	USB_GRAPE_P - @lost_lib.LOST	10D7 30D4 103C4					
	USB_LAND_DOCK_N	USB_LAND_DOCK_N - @lost_lib.LOST	35A3 35D5 50D3 103D4					
	USB_LAND_DOCK_P	USB_LAND_DOCK_P - @lost_lib.LOST	35A3 35D5 50D3 103D4					
	USB_PORT_DOCK_N	USB_PORT_DOCK_N - @lost_lib.LOST	35A3 35C5 51D3 103D4					
	USB_PORT_DOCK_P	USB_PORT_DOCK_P - @lost_lib.LOST	35A3 35C5 51D3 103D4					
	USB_PSOC_N	USB_PSOC_N - @lost_lib.LOST	30D3					
	USB_PSOC_P	USB_PSOC_P - @lost_lib.LOST	30D3					
	USB_PWR_A	USB_PWR_A - @lost_lib.LOST	18D2 50D7					
	USB_PWR_B	USB_PWR_B - @lost_lib.LOST	18C3 51D7					
	USB_RBIA_PN	USB_RBIA_PN - @lost_lib.LOST	10C7					
	VCORE_BG	VCORE_BG - @lost_lib.LOST	20C5					
	VCORE_BOOST	VCORE_BOOST - @lost_lib.LOST	20C5					
	VCORE_BOOST_RCD	VCORE_BOOST_RCD - @lost_lib.LOST	20D4					
	VCORE_CLSET	VCORE_CLSET - @lost_lib.LOST	20C6					
	VCORE_CS	VCORE_CS - @lost_lib.LOST	20B2					
	VCORE_CSN	VCORE_CSN - @lost_lib.LOST	20C6					
	VCORE_CSP	VCORE_CSP - @lost_lib.LOST	20C6					
	VCORE_CSP_R	VCORE_CSP_R - @lost_lib.LOST	20B3					
	VCORE_DAC	VCORE_DAC - @lost_lib.LOST	20C6					
	VCORE_DRN	VCORE_DRN - @lost_lib.LOST	20C5					
	VCORE_ERRROUT	VCORE_ERRROUT - @lost_lib.LOST	20C5					
	VCORE_FBN	VCORE_FBN - @lost_lib.LOST	20C6					
	VCORE_FBP	VCORE_FBP - @lost_lib.LOST	20C6					
	VCORE_GND	VCORE_GND - @lost_lib.LOST	20A4 20B6 20C8					
	VCORE_HYS	VCORE_HYS - @lost_lib.LOST	20C6					
	VCORE_RAMP	VCORE_RAMP - @lost_lib.LOST	20B5					
	VCORE_SS	VCORE_SS - @lost_lib.LOST	20C6					
	VCORE_TG	VCORE_TG - @lost_lib.LOST	20C5					
	VCORE_TTRIP	VCORE_TTRIP - @lost_lib.LOST	20C6					
	VCORE_VCCA	VCORE_VCCA - @lost_lib.LOST	20D6					
	VCORE_VREF	VCORE_VREF - @lost_lib.LOST	20C4 20C8					
	VR_FWRD0_CLKEN_L	VR_FWRD0_CLKEN_L - @lost_lib.LOST	20A7 20C4					
	VSSAPCIEBG	VSSAPCIEBG - @lost_lib.LOST	12B2					
	WL_HOST_WAKE	WL_HOST_WAKE - @lost_lib.LOST	28A8 96B3					
	WL_RESET_L	WL_RESET_L - @lost_lib.LOST	28D5 96B3					
	WL_WAKE_L	WL_WAKE_L - @lost_lib.LOST	29B4					
	XDP_BPM_L<0>	XDP_BPM_L<0> - @lost_lib.LOST	6C5 90C6					
	XDP_BPM_L<4..0>	XDP_BPM_L<4..0> - @lost_lib.LOST	100A3					
	XDP_BPM_L<1>	XDP_BPM_L<1> - @lost_lib.LOST	6C5 90C6					
	XDP_BPM_L<2>	XDP_BPM_L<2> - @lost_lib.LOST	6C5 90C6					
	XDP_BPM_L<3>	XDP_BPM_L<3> - @lost_lib.LOST	6C5 90C6					
	XDP_BPM_L<4>	XDP_BPM_L<4> - @lost_lib.LOST	6C5 90C6					
	XDP_BPM_L<5>	XDP_BPM_L<5> - @lost_lib.LOST	6C5 6C5 90C6 100A3					
	XDP_CPURST_L	XDP_CPURST_L - @lost_lib.LOST	90B3					
	XDP_DBRESET_L	XDP_DBRESET_L - @lost_lib.LOST	6C5 28A5 90B3 100A3					
	XDP_PWRGD	XDP_PWRGD - @lost_lib.LOST	90C6					
	XDP_SCH_TCK<1>	XDP_SCH_TCK<1> - @lost_lib.LOST	10C5 90B6 100C1					
	XDP_SCH_TDI	XDP_SCH_TDI - @lost_lib.LOST	10C5 90A5 100C1					
	XDP_SCH_TDO	XDP_SCH_TDO - @lost_lib.LOST	10C5 90A4 90B3 100C1					
	XDP_SCH_TMS	XDP_SCH_TMS - @lost_lib.LOST	10C5 90A4 100C1					
	XDP_TMS	XDP_TMS - @lost_lib.LOST	6A8 6C5 90A5 90B3 100B3					
	XDP_SCL	XDP_SCL - @lost_lib.LOST	90B5					
	XDP_SDA	XDP_SDA - @lost_lib.LOST	90B5					
	XDP_TCK	XDP_TCK - @lost_lib.LOST	6A8 6C5 90B6 100A3					
	XDP_TDI	XDP_TDI - @lost_lib.LOST	6A8 6C5 90A4 90B3 100B3					
	XDP_TDO	XDP_TDO - @lost_lib.LOST	6A8 6C5 90A5 100B3					
	XDP_TRST_L	XDP_TRST_L - @lost_lib.LOST	6C5 10C5 90B3 100A3					
	XTAL_FLASH_IN	XTAL_FLASH_IN - @lost_lib.LOST	66C6					
	XTAL_FLASH_OUT	XTAL_FLASH_OUT - @lost_lib.LOST	66C6					
	Y9400_2	Y9400_2 - @lost_lib.LOST	94A7					
	Y_PR	Y_PR - @lost_lib.LOST	75B8 94B3 101B7					
	Z1_V8_OUT	Z1_V8_OUT - @lost_lib.LOST	31D4 31D5					
	Z1_BON_L<0>	Z1_BON_L<0> - @lost_lib.LOST	30C8 31C3					
	Z1_BON_L<1>	Z1_BON_L<1> - @lost_lib.LOST	30C8 31C3					
	Z1_BON_L<2>	Z1_BON_L<2> - @lost_lib.LOST	30C7 31C3					
	Z1_BON_L<3>	Z1_BON_L<3> - @lost_lib.LOST	30C7 31C3					
	Z1_BON_L<4>	Z1_BON_L<4> - @lost_lib.LOST	30D6 31C3					
	Z1_BON_L<5>	Z1_BON_L<5> - @lost_lib.LOST	30D6 31C3					
	Z1_B_ADDR<0>	Z1_B_ADDR<0> - @lost_lib.LOST	30C8 30D6 30D7 31C3					
	Z1_B_ADDR<1>	Z1_B_ADDR<1> - @lost_lib.LOST	30C8 30D6 30D7 31C3					
	Z1_B_ADDR<2>	Z1_B_ADDR<2> - @lost_lib.LOST	30C8 30D6 30D7 31C3					
	Z1_CS_L	Z1_CS_L - @lost_lib.LOST						

8		7		6		5		4		3		2		1	
Title: Cref Part Report				C1800 CAP_0805		lost[18C7]		C2704 CAP_402		lost[27B6]		C4224 CAP_201		lost[42A7]	
Design: lost				C1801 CAP_402		lost[18B5]		C2705 CAP_402		lost[27B6]		C4225 CAP_201		lost[42B6]	
Date: Feb 19 11:01:06 2008				C1802 CAP_402		lost[18C5]		C2706 CAP_402		lost[27C2]		C4300 CAP_402		lost[43C5]	
				C1803 CAP_402		lost[18D4]		C2707 CAP_201		lost[27B5]		C4301 CAP_402		lost[43D4]	
				C1910 CAP_805		lost[19D7]		C2750 CAP_402		lost[27B7]		C5000 CAP_201		lost[50C7]	
				C1929 CAP_0805		lost[19D8]		C2757 CAP_201		lost[27A6]		C5084 CAP_402		lost[50D7]	
C0500 CAP_1210		lost[5D1]		C1930 CAP_0805		lost[19D8]		C2758 CAP_201		lost[27A6]		C5086 CAP_402		lost[50D8]	
C0501 CAP_1210		lost[5D1]		C1931 CAP_201		lost[19B7]		C2759 CAP_201		lost[27A5]		C5090 CAP_201		lost[50E6]	
C0502 CAP_1210		lost[5D1]		C1932 CAP_201		lost[19B8]		C2760 CAP_201		lost[27A5]		C5100 CAP_201		lost[51C7]	
C0503 CAP_1210		lost[5D1]		C1933 CAP_201		lost[19B8]		C2803 CAP_201		lost[28D3]		C5184 CAP_402		lost[51D7]	
C0504 CAP_1210		lost[5D1]		C1934 CAP_402		lost[19D5]		C2804 CAP_201		lost[28D3]		C5186 CAP_402		lost[51D7]	
C0505 CAP_1210		lost[5D1]		C1935 CAP_0805		lost[19D4]		C2805 CAP_201		lost[28D3]		C5190 CAP_201		lost[51D6]	
C0506 CAP_1210		lost[5C1]		C1936 CAP_805		lost[19D5]		C2806 CAP_201		lost[28D3]		C5200 CAP_201		lost[52C6]	
C0507 CAP_1210		lost[5C1]		C1937 CAP_P_SM		lost[19C3]		C2807 CAP_805		lost[28D4]		C5201 CAP_201		lost[52C6]	
C0508 CAP_1210		lost[5C1]		C1938 CAP_201		lost[19C2]		C2808 CAP_402		lost[28D2]		C5202 CAP_201		lost[52C6]	
C0509 CAP_1210		lost[5C1]		C1941 CAP_0805		lost[19D6]		C2900 CAP_201		lost[29B1]		C5203 CAP_201		lost[52B6]	
C0600 CAP_201		lost[6B6]		C1942 CAP_201		lost[19C6]		C2901 CAP_201		lost[29C6]		C5208 CAP_201		lost[52C3]	
C0601 CAP_201		lost[6B4]		C1943 CAP_402		lost[19C7]		C2902 CAP_201		lost[29C6]		C5600 CAP_201		lost[56A7]	
C0700 CAP_402		lost[7D4]		C1944 CAP_201		lost[19C7]		C2903 CAP_201		lost[29D7]		C6601 CAP_201		lost[66A6]	
C0701 CAP_402		lost[7D3]		C1945 CAP_201		lost[19C6]		C2906 CAP_201		lost[29C7]		C6602 CAP_201		lost[66A6]	
C0702 CAP_201		lost[7B3]		C1946 CAP_201		lost[19B3]		C2907 CAP_603		lost[29B7]		C6603 CAP_402		lost[66A6]	
C0703 CAP_402		lost[7D3]		C1947 CAP_201		lost[19A4]		C2908 CAP_402		lost[29B8]		C6604 CAP_201		lost[66D7]	
C0704 CAP_402		lost[7D3]		C1948 CAP_201		lost[19B4]		C2909 CAP_402		lost[29D7]		C6605 CAP_201		lost[66D7]	
C0705 CAP_402		lost[7D4]		C1949 CAP_603		lost[19C2]		C2910 CAP_201		lost[29D8]		C6606 CAP_201		lost[66D6]	
C0706 CAP_402		lost[7D3]		C1950 CAP_201		lost[19B2]		C3000 CAP_603		lost[30A3]		C6607 CAP_201		lost[66D6]	
C0707 CAP_201		lost[7C6]		C1951 CAP_201		lost[19C6]		C3001 CAP_603		lost[30A5]		C6608 CAP_402		lost[66D6]	
C0708 CAP_201		lost[7C6]		C1952 CAP_201		lost[19C3]		C3002 CAP_402		lost[30D1]		C6610 CAP_201		lost[66C2]	
C0709 CAP_201		lost[7C6]		C1953 CAP_201		lost[19D2]		C3003 CAP_201		lost[30D2]		C6620 CAP_201		lost[66C7]	
C0710 CAP_402		lost[7D1]		C1954 CAP_201		lost[19C6]		C3004 CAP_201		lost[30D6]		C6621 CAP_201		lost[66C6]	
C0711 CAP_402		lost[7D1]		C1955 CAP_201		lost[19C3]		C3005 CAP_603		lost[30D6]		C6700 CAP_201		lost[67C5]	
C0712 CAP_402		lost[7D2]		C1956 CAP_201		lost[19B2]		C3006 CAP_201		lost[30D7]		C6701 CAP_201		lost[67C5]	
C0713 CAP_402		lost[7D2]		C1957 CAP_201		lost[19A3]		C3007 CAP_603		lost[30D8]		C6702 CAP_402		lost[67C5]	
C0714 CAP_402		lost[7D2]		C1958 CAP_402		lost[19D4]		C3008 CAP_0201		lost[30A3]		C6710 CAP_201		lost[67C2]	
C0715 CAP_402		lost[7D2]		C1971 CAP_201		lost[19C2]		C3009 CAP_402		lost[30A4]		C6711 CAP_201		lost[67C2]	
C0716 CAP_402		lost[7D3]		C1990 CAP_201		lost[19A6]		C3052 CAP_201		lost[30D5]		C6712 CAP_402		lost[67C2]	
C0717 CAP_201		lost[7D6]		C1991 CAP_201		lost[19A6]		C3053 CAP_603		lost[30D5]		C7502 CAP_201		lost[75C7]	
C0718 CAP_201		lost[7D5]		C1992 CAP_201		lost[19A6]		C3100 CAP_201		lost[31D2]		C7510 CAP_201		lost[75D1]	
C0719 CAP_402		lost[7C6]		C1993 CAP_201		lost[19A5]		C3101 CAP_402		lost[31D3]		C7511 CAP_201		lost[75C5]	
C0750 CAP_402		lost[7D3]		C1994 CAP_201		lost[19C2]		C3102 CAP_201		lost[31D4]		C7512 CAP_201		lost[75C5]	
C0751 CAP_402		lost[7D2]		C2000 CAP_805		lost[20C3]		C3103 CAP_201		lost[31D4]		C7513 CAP_201		lost[75C5]	
C0752 CAP_402		lost[7D2]		C2001 CAP_402		lost[20D6]		C3104 CAP_402		lost[31D4]		C7514 CAP_201		lost[75B5]	
C0753 CAP_402		lost[7D2]		C2002 CAP_402		lost[20D6]		C3105 CAP_201		lost[31D6]		C7515 CAP_201		lost[75B5]	
C0754 CAP_402		lost[7D2]		C2003 CAP_402		lost[20C2]		C3106 CAP_201		lost[31D6]		C7516 CAP_201		lost[75B5]	
C0800 CAP_201		lost[8B7]		C2004 CAP_805		lost[20C3]		C3107 CAP_201		lost[31D6]		C7517 CAP_201		lost[75B5]	
C0801 CAP_201		lost[8B2]		C2005 CAP_402		lost[20C4]		C3108 CAP_201		lost[31D6]		C7518 CAP_201		lost[75B5]	
C0802 CAP_201		lost[8C3]		C2006 CAP_201		lost[20C2]		C3109 CAP_201		lost[31D7]		C7600 CAP_402-LF		lost[76C7]	
C0900 CAP_201		lost[9D2]		C2007 CAP_201		lost[20B3]		C3110 CAP_201		lost[31D7]		C7601 CAP_201		lost[76C6]	
C0901 CAP_402		lost[9C2]		C2008 CAP_201		lost[20B2]		C3111 CAP_603		lost[31D7]		C7602 CAP_P_402		lost[76C5]	
C0902 CAP_402		lost[9C2]		C2009 CAP_P_SM		lost[20B2]		C3112 CAP_402		lost[31D7]		C7603 CAP_201		lost[76C5]	
C0905 CAP_402		lost[9C2]		C2010 CAP_201		lost[20B1]		C3150 CAP_201		lost[31B2]		C7604 CAP_201		lost[76C7]	
C1000 CAP_402		lost[10D4]		C2011 CAP_201		lost[20C7]		C3200 CAP_201		lost[32B3]		C7610 CAP_201		lost[76D4]	
C1001 CAP_402		lost[10D5]		C2012 CAP_201		lost[20C7]		C3202 CAP_603		lost[32D5]		C7611 CAP_402		lost[76D4]	
C1002 CAP_402		lost[10D5]		C2013 CAP_201		lost[20C7]		C3203 CAP_201		lost[32D6]		C7612 CAP_201		lost[76D3]	
C1003 CAP_402		lost[10D4]		C2014 CAP_201		lost[20B4]		C3204 CAP_201		lost[32D6]		C7613 CAP_402		lost[76D3]	
C1050 CAP_402		lost[10D4]		C2015 CAP_201		lost[20A4]		C3206 CAP_201		lost[32D3]		C7614 CAP_201		lost[76D2]	
C1100 CAP_201		lost[11B2]		C2016 CAP_201		lost[20B5]		C3303 CAP_201		lost[33C4]		C7615 CAP_402		lost[76D2]	
C1200 CAP_402		lost[12A5]		C2017 CAP_201		lost[20B5]		C3400 CAP_402-LF		lost[34B4]		C7616 CAP_201		lost[76C3]	
C1201 CAP_402		lost[12A6]		C2018 CAP_201		lost[20C4]		C3401 CAP_201		lost[34B4]		C7617 CAP_201		lost[76C3]	
C1202 CAP_402		lost[12A6]		C2019 CAP_201		lost[20C4]		C3500 CAP_201		lost[35D3]		C7618 CAP_402		lost[76C3]	
C1203 CAP_402		lost[12B7]		C2020 CAP_201		lost[20B7]		C3502 CAP_402		lost[35B1]		C7620 CAP_201		lost[76B7]	
C1204 CAP_402		lost[12B7]		C2021 CAP_201		lost[20B8]		C3503 CAP_201		lost[35D8]		C7621 CAP_201		lost[76B7]	
C1205 CAP_402		lost[12B7]		C2022 CAP_201		lost[20B7]		C3504 CAP_201		lost[35B8]		C7622 CAP_201		lost[76B6]	
C1206 CAP_402-LF		lost[12D2]		C2023 CAP_201		lost[20C6]		C3505 CAP_201		lost[35D6]		C7623 CAP_201		lost[76B6]	
C1207 CAP_201		lost[12D3]		C2024 CAP_201		lost[20C2]		C3506 CAP_201		lost[35C6]		C7630 CAP_201		lost[76C6]	
C1208 CAP_201		lost[12D3]		C2100 CAP_P_SM		lost[21C3]		C3507 CAP_201		lost[35B4]		C7631 CAP_201		lost[76B5]	
C1209 CAP_201		lost[12D2]		C2101 CAP_201		lost[21D3]		C3600 CAP_P_0603-SM		lost[36A5]		C7650 CAP_201		lost[76A5]	
C1210 CAP_201		lost[12B2]		C2102 CAP_201		lost[21C7]		C3601 CAP_201		lost[36A5]		C9000 CAP_201		lost[90B5]	
C1211 CAP_201		lost[12A3]		C2103 CAP_402		lost[21D5]		C3602 CAP_201		lost[36A3]		C9001 CAP_201		lost[90B4]	
C1212 CAP_201		lost[12A3]		C2104 CAP_603		lost[21D3]		C3603 CAP_201		lost[36A5]		C9401 CAP_603		lost[94D7]	
C1213 CAP_201		lost[12A3]		C2105 CAP_402		lost[21D5]		C3604 CAP_201		lost[36A4]		C9402 CAP_201		lost[94D7]	
C1215 CAP_201		lost[12B5]		C2107 CAP_402		lost[21B6]		C3610 CAP_402		lost[36D6]		C9403 CAP_201		lost[94D6]	
C1216 CAP_201		lost[12B5]		C2108 CAP_603		lost[21B7]		C3611 CAP_201		lost[36D6]		C9404 CAP_201		lost[94D6]	
C1217 CAP_201		lost[12B1]		C2111 CAP_201		lost[21A2]		C3612 CAP_201		lost[36D6]		C9405 CAP_603		lost[94D7]	
C1219 CAP_402		lost[12C8]		C2112 CAP_P_B2-SM		lost[21A3]		C3613 CAP_P_603-SM		lost[36D5]		C9406 CAP_201		lost[94D7]	
C1221 CAP_402		lost[12C8]		C2113 CAP_402		lost[21D7]		C3614 CAP_201		lost[36D4]		C9407 CAP_603		lost[94C7]	
C1222 CAP_201		lost[12A2]		C2114 CAP_402		lost[21C3]		C3615 CAP_P_2012-LLP		lost[36D4]		C9408 CAP_201		lost[94C7]	
C1223 CAP_402		lost[12D8]		C2115 CAP_201		lost[21A3]		C3616 CAP_201		lost[36D3]		C9409 CAP_603		lost[94C7]	
C1224 CAP_402		lost[12B7]		C2116 CAP_201		lost[21B4]		C3617 CAP_201		lost[36D3]		C9410 CAP_201		lost[94C7]	
C1225 CAP_402-LF		lost[12D2]		C2117 CAP_201		lost[21C3]		C3618 CAP_603		lost[36D3]		C9411 CAP_201		lost[94C6]	
C1226 CAP_402		lost[12D2]		C2118 CAP_201		lost[21B3]		C3619 CAP_402-1		lost[36D6]		C9412 CAP_201		lost[94C6]	
C1227 CAP_402		lost[12D1]		C2120 CAP_201		lost[21C6]		C3620 CAP_402-1		lost[36D6]		C9413 CAP_201		lost[94D5]	
C1228 CAP_402		lost[12D1]		C2121 CAP_201		lost[21C7]		C3621 CAP_402-LF		lost[36C6]		C9414 CAP_201		lost[94D5]	
C1230 CAP_402		lost[12A4]		C2122 CAP_201		lost[21D4]		C3622 CAP_402-LF		lost[36C6]		C9415 CAP_201		lost[94D5]	
C1231 CAP_201		lost[12A3]		C2123 CAP_201		lost[21C2]		C3623 CAP_P_2012-LLP		lost[36B4]		C9416 CAP_603		lost[94D4]	
C1251 CAP_201		lost[12A2]		C2205 CAP_603		lost[22A5]		C3624 CAP_P_402		lost[36B4]		C9417 CAP_201		lost[94C5]	
C1260 CAP_402		lost[12B6]		C2209 CAP_03		lost[22A6]		C3701 CAP_P_2012-LLP		lost[37B4]		C9418 CAP_603		lost[94C4]	
C1261 CAP_402															



	8	7	6	5	4	3	2	1				
D	D2600	DIODE_SCHOT_SOD-323	lost[2604]	L7501	IND_0603	lost[75C5]	R0926	RES_201	lost[9B7]	R1955	RES_201	lost[19C5]
	D3000	DIODE_SCHOT_SOD-323	lost[30B3]	L7502	IND_0603	lost[75B5]	R0934	RES_201	lost[9C3]	R1956	RES_201	lost[19B8]
	D5000	RCLAMP0502N_SLP1210N	lost[50D2]	L7600	FILTER_2P_0201	lost[76D7]	R0936	RES_201	lost[9A2]	R1957	RES_1206	lost[19C2]
		6		L9400	IND_0402-LF	lost[94D7]	R0937	RES_201	lost[9D3]	R1960	RES_402	lost[19D7]
	D5023	DIODE_SCHOT_6P_4C_2A	lost[50D7]	L9401	IND_0402-LF	lost[94D7]	R0938	RES_201	lost[9D3]	R1961	RES_201	lost[19C7]
		_SOT666-6		L9402	IND_0402-LF	lost[94D7]	R0940	RES_201	lost[9C6]	R1962	RES_201	lost[19B1]
	D5100	RCLAMP0502N_SLP1210N	lost[51D2]	L9403	IND_0402-LF	lost[94C7]	R0941	RES_201	lost[9C6]	R1964	RES_402	lost[19A8]
		6		L9405	IND_0402-LF	lost[94D4]	R0942	RES_201	lost[9B6]	R1965	RES_201	lost[19A8]
	D5120	DIODE_SCHOT_6P_4C_2A	lost[51D7]	L9406	IND_0402-LF	lost[94C4]	R0943	RES_201	lost[9B6]	R1967	RES_201	lost[19B3]
		_SOT666-6		Q1801	TRA_DUAL_PWRPK_PCHN_	lost[18B4 18C5]	R0944	RES_201	lost[9B6]	R1968	RES_201	lost[19D6]
	DZ3900	SUPPR_TRANSIENT1_402	lost[39C6]		6P_PWRPK-1212-8		R0945	RES_201	lost[9B6]	R1969	RES_201	lost[19B3]
	DZ3901	SUPPR_TRANSIENT1_402	lost[39C6]	Q1803	TRA_DUAL_PWRPK_PCHN_	lost[18B3 18D3]	R0966	RES_201	lost[9C3]	R1970	RES_203	lost[19B3]
	DZ3902	SUPPR_TRANSIENT1_402	lost[39C7]		6P_PWRPK-1212-8		R0967	RES_201	lost[9A1]	R1971	RES_201	lost[19C2]
	DZ3903	SUPPR_TRANSIENT1_402	lost[39B7]	Q1807	TRA_DUAL_2N7002A_SOT	lost[18C4 18C4]	R0970	RES_201	lost[9A7]	R1972	RES_201	lost[19B3]
	DZ3904	SUPPR_TRANSIENT1_402	lost[39B6]		563		R0971	RES_201	lost[9A7]	R1973	RES_201	lost[19C3]
	DZ3905	SUPPR_TRANSIENT1_402	lost[39B6]	Q1808	TRA_DUAL_2N7002A_SOT	lost[18A3 18A4]	R0980	RES_201	lost[9D7]	R2000	RES_201	lost[20D6]
	DZ3910	SUPPR_TRANSIENT1_402	lost[39C3]		563		R1001	RES_201	lost[10A5]	R2001	RES_201	lost[20D5]
	DZ3911	SUPPR_TRANSIENT1_402	lost[39C3]	Q1809	TRA_PWRPK_PCHN_5P_PWR	lost[18B6]	R1003	RES_201	lost[10A4]	R2002	RES_201	lost[20C9]
	DZ3912	SUPPR_TRANSIENT1_402	lost[39C4]		PK-1212-8		R1004	RES_201	lost[10C4]	R2003	RES_201	lost[20B7]
	DZ3913	SUPPR_TRANSIENT1_402	lost[39B3]	Q1810	TRA_DUAL_2N7002A_SOT	lost[18A5 18A6]	R1005	RES_201	lost[10C3]	R2005	RES_201	lost[20C4]
	DZ3914	SUPPR_TRANSIENT1_402	lost[39B3]		563		R1006	RES_201	lost[10A4]	R2006	RES_201	lost[20B6]
	DZ3915	SUPPR_TRANSIENT1_402	lost[39B3]	Q1816	TRA_DUAL_2N7002A_SOT	lost[18C3 18D2]	R1007	RES_201	lost[10A3]	R2007	RES_201	lost[20B3]
	DZ5089	SUPPR_TRANSIENT1_402	lost[50B7]		563		R1008	RES_201	lost[10C7]	R2008	RES_201	lost[20B3]
	DZ5090	SUPPR_TRANSIENT1_402	lost[50C4]	Q1817	TRA_DUAL_2N7002A_SOT	lost[18B1 18B2]	R1009	RES_201	lost[10C4]	R2009	RES_201	lost[20B4]
	DZ5091	SUPPR_TRANSIENT1_402	lost[50C6]		563		R1010	RES_201	lost[10C7]	R2010	RES_201	lost[20C7]
	DZ5092	SUPPR_TRANSIENT1_402	lost[50D4]	Q1910	TRA_SI7904DN_PWRPK-1	lost[19C5]	R1011	RES_201	lost[10C4]	R2011	RES_201	lost[20B4]
	DZ5093	SUPPR_TRANSIENT1_402	lost[50A7]		212-8		R1012	RES_201	lost[10B2]	R2012	RES_201	lost[20C7]
	DZ5189	SUPPR_TRANSIENT1_402	lost[51B7]	Q1915	TRA_DUAL_2N7002A_SOT	lost[19B2 19A2]	R1015	RES_201	lost[10B2]	R2013	RES_201	lost[20A1]
	DZ5190	SUPPR_TRANSIENT1_402	lost[51D4]		563		R1017	RES_201	lost[10B2]	R2014	RES_201	lost[20A7]
	DZ5191	SUPPR_TRANSIENT1_402	lost[51C6]	Q1916	TRA_DUAL_2N7002A_SOT	lost[19A3 19A1]	R1019	RES_201	lost[10B2]	R2015	RES_201	lost[20A7]
	DZ5192	SUPPR_TRANSIENT1_402	lost[51C4]		563		R1020	RES_201	lost[10C4]	R2016	RES_201	lost[20B5]
	DZ5193	SUPPR_TRANSIENT1_402	lost[51A7]	Q1917	TRA_PWRPK_PCHN_5P_PWR	lost[19C2]	R1021	RES_201	lost[10B3]	R2018	RES_201	lost[20C5]
	F1800	FUSE_603-HF	lost[18D7]		PK-1212-8		R1022	RES_201	lost[10B3]	R2019	RES_201	lost[20B8]
	F1900	FUSE_1206	lost[19C2]	Q2000	TRA_FDZ294N_BGA	lost[20C3]	R1027	RES_201	lost[10A4]	R2020	RES_201	lost[20B7]
	FL5007	FILTER_2P_0201	lost[50B5]	Q2001	TRA_FDZ294N_BGA	lost[20B4]	R1050	RES_201	lost[10C4]	R2100	RES_201	lost[21C6]
	FL5008	FILTER_2P_0201	lost[50A5]	Q2002	TRA_2N7002T_SOT-523-	lost[20A7]	R1060	RES_201	lost[10C2]	R2101	RES_201	lost[21C8]
	FL5011	FILTER_2P_0201	lost[50B5]		3		R1061	RES_201	lost[10C1]	R2102	RES_201	lost[21C6]
	FL5020	FILTER_2P_0201	lost[50B3]	Q2100	TRA_SI7904DN_PWRPK-1	lost[21C4]	R1090	RES_201	lost[10D2]	R2103	RES_201	lost[21C6]
	FL5107	FILTER_2P_0201	lost[51B5]		212-8		R1091	RES_201	lost[10D2]	R2104	RES_201	lost[21A5]
	FL5108	FILTER_2P_0201	lost[51A5]	Q2101	TRA_SI7904DN_PWRPK-1	lost[21C4]	R1092	RES_201	lost[10D2]	R2105	RES_201	lost[21A5]
	FL5111	FILTER_2P_0201	lost[51B5]		212-8		R1093	RES_201	lost[10D1]	R2106	RES_201	lost[21A5]
	FL5120	FILTER_2P_0201	lost[51B3]	Q2102	TRA_DUAL_SSM6N15FE_S	lost[21C7 21C8]	R1094	RES_201	lost[10D2]	R2107	RES_201	lost[21A3]
	FL7500	FILTER_2P_0201	lost[75C7]		OT563		R1095	RES_201	lost[10B8]	R2108	RES_201	lost[21A3]
	J1900	CON_M6RT_S2MT_SM1_M-	lost[19A5]	Q2103	TRA_DUAL_2N7002A_SOT	lost[21A7 21A6]	R1096	RES_201	lost[10B8]	R2109	RES_201	lost[21B3]
		RT-SM			563		R1097	RES_201	lost[10A4]	R2110	RES_201	lost[21B3]
	J3010	CON_F50ST_D4MT_SM_F-	lost[30B7]	Q2320	TRA_SI7904DN_PWRPK-1	lost[23B3]	R1098	RES_201	lost[10A4]	R2113	RES_201	lost[21A7]
		ST-SM			212-8		R1101	RES_201	lost[11B3]	R2114	RES_201	lost[21A7]
	J3011	CON_F60ST_D4MT_SM_F-	lost[30B6]	Q2400	TRA_SSM3K15FV_SOD-VE	lost[24B3]	R1102	RES_201	lost[11C2]	R2117	RES_201	lost[21A6]
		ST-SM			SM-HF		R1103	RES_201	lost[11B2]	R2118	RES_201	lost[21C6]
	J3020	CON_F4RT_S2MT_SMA_F-	lost[30B1]	Q2401	TRA_PCH_CEDM8001_SOT	lost[24B3]	R1205	RES_201	lost[12B2]	R2120	RES_201	lost[21C6]
		RT-SM1			883L		R1250	RES_201	lost[12B3]	R2122	RES_201	lost[21B4]
	J3201	CON_F30ST_S5MT_SM_F-	lost[32D1]	Q2701	TRA_FDZ294N_BGA	lost[27C5]	R1291	RES_201	lost[12A3]	R2123	RES_201	lost[21B3]
		ST-SM		Q2702	TRA_FDZ294N_BGA	lost[27C5]	R1400	RES_201	lost[14A5]	R2124	RES_201	lost[21B3]
	J3700	CON_M4RT_S2MT_SM_M-R	lost[37B2]	Q2703	TRA_FDZ294N_BGA	lost[27B5]	R1401	RES_201	lost[14A5]	R2250	RES_201	lost[22D6]
		T-SM		Q2709	TRA_SI5486DU_POWERPA	lost[27C2]	R1402	RES_201	lost[14C4]	R2252	RES_201	lost[22C4]
	J3800	CON_M4RT_S2MT_SM_M-R	lost[38C2]		K		R1403	RES_201	lost[14C8]	R2253	RES_201	lost[22C4]
		T-SM		Q2900	TRA_DUAL_SSM6N15FE_S	lost[29A4 29A4]	R1490	RES_201	lost[14C4]	R2254	RES_201	lost[22C3]
	J4111	CON_M10RT_S2MT_SM1_M	lost[41D5]		OT563		R1500	RES_201	lost[15B6]	R2255	RES_201	lost[22C5]
		-RT-SM		Q2902	TRA_DUAL_BC847BV_SOT	lost[29D2 29D1]	R1503	RES_201	lost[15C1]	R2300	RES_201	lost[23C7]
	J4161	CON_M10RT_S2MT_SM1_M	lost[41B5]		563-HF		R1504	RES_201	lost[15C1]	R2320	RES_201	lost[23C6]
		-RT-SM		Q3100	TRA_DUAL_2N7002A_SOT	lost[31B1 31B1]	R1505	RES_201	lost[15C1]	R2321	RES_201	lost[23C6]
	J4600	CON_F6RT_S2MT_SM_F-R	lost[46C5]		563		R1506	RES_201	lost[15C1]	R2322	RES_201	lost[23B7]
		T-SM		Q3101	TRA_2N7002T_SOT-523-	lost[31A6]	R1507	RES_201	lost[15B1]	R2323	RES_201	lost[23B6]
	J5001	CON_F36ST_D4MT_SM_F-	lost[50C2]		3		R1508	RES_201	lost[15B1]	R2324	RES_201	lost[23B4]
		ST-SM		Q3102	TRA_2N7002T_SOT-523-	lost[31B1]	R1509	RES_201	lost[15B2]	R2402	RES_402	lost[24D6]
	J5105	CON_F36ST_D4MT_SM_F-	lost[51C2]		3		R1514	RES_201	lost[15C2]	R2403	RES_201	lost[24C3]
		ST-SM		Q3200	TRA_FDZ293P_BGA	lost[32D6]	R1515	RES_201	lost[15C2]	R2404	RES_201	lost[24C3]
	J5400	CON_M4RT_S2MT_SM_M-R	lost[54C2]	Q3201	TRA_2N7002T_SOT-523-	lost[32D7]	R1530	RES_201	lost[15A7]	R2451	RES_201	lost[24B6]
		T-SM			3		R1531	RES_201	lost[15A7]	R2452	RES_201	lost[24B4]
	J6500	CON_F6RT_S2MT_SM_F-R	lost[65B4]	Q3500	TRA_NTK3142P_PCHN_3P	lost[35C2]	R1532	RES_201	lost[15A7]	R2453	RES_201	lost[24B4]
		T-SM			_SOT723-3-HF		R1533	RES_201	lost[15A7]	R2454	RES_201	lost[24B4]
	J9000	CON_F60ST_D_SM1_F-ST	lost[90C4]	Q3501	TRA_2N7002T_SOT-523-	lost[35B3]	R1540	RES_201	lost[15C2]	R2455	RES_201	lost[24B2]
		-SM			3		R1541	RES_201	lost[15C2]	R2456	RES_201	lost[24A3]
	L1500	IND_0402-LF	lost[15D7]	Q4200	TRA_NCH_SSM3K16CT_CS	lost[42C2]	R1542	RES_201	lost[15B2]	R2457	RES_201	lost[24B3]
	L1501	IND_0402-LF	lost[15D7]		T3		R1543	RES_201	lost[15B2]	R2600	RES_201	lost[26C4]
	L1900	IND_ILH22525BD-SM	lost[19C4]	Q4201	TRA_NCH_SSM3K16CT_CS	lost[42C6]	R1802	RES_201	lost[18B3]	R2601	RES_201	lost[26B2]
	L1901	IND_SM-LF	lost[19A6]		T3		R1803	RES_201	lost[18B2]	R2602	RES_201	lost[26B6]
	L2000	IND_PCMC042T-SM	lost[20C2]	R1	THERMISTERS_0402	lost[20B2]	R1804	RES_201	lost[18A2]	R2603	RES_201	lost[26A5]
	L2102	IND_PCMC042T-SM	lost[21C4]	R0600	RES_201	lost[6C8]	R1805	RES_201	lost[18D4]	R2604	RES_201	lost[26A5]
	L2103	IND_PCMC042T-SM	lost[21A3]	R0601	RES_201	lost[6C8]	R1806	RES_201	lost[18C2]	R2605	RES_201	lost[26A5]
	L2200	IND_MDT250CN-SM	lost[22B5]	R0602	RES_201	lost[6C8]	R1807	RES_201	lost[18C5]	R2606	RES_201	lost[26A6]
	L2250	IND_SM	lost[22C4]	R0603	RES_201	lost[6B5]	R1808	RES_201	lost[18B4]	R2607	RES_201	lost[26B7]
	L2320	IND_MMD05C2-SM	lost[23B3]	R0604	RES_201	lost[6B5]	R1809	RES_201	lost[18A5]	R2608	RES_201	lost[26A6]
	L2401	IND_S1024AS-SM	lost[24C4]	R0605	RES_201	lost[6B5]	R1810	RES_201	lost[18A4]	R2609	RES_402	lost[26B7]
	L2450	IND_S1024AS-SM	lost[24B4]	R0606	RES_201	lost[6B5]	R1812	RES_201	lost[18B2]	R2610	RES_402	lost[26C3]
	L2600</											

	8	7	6	5	4	3	2	1	
D	R2945	RES_201	lost[2905]	R6612	RES_201	lost[66B2]	U3501	SWI_FSUSB42_UMLP	lost[35A3]
	R2946	RES_201	lost[29C2]	R6700	RES_201	lost[67B7]	U3502	74LVC2G66_BGA	lost[35D7 35D7]
	R2947	RES_201	lost[29B3]	R6701	RES_201	lost[67B7]	U3504	74LVC2G66_BGA	lost[35B7 35C7]
	R2948	RES_201	lost[29D4]	R6702	RES_201	lost[67B7]	U3600	CS4206_QFN	lost[36D5]
	R2990	RES_201	lost[29C5]	R6703	RES_201	lost[67B7]	U3601	MAX8840_UDFN	lost[36A4]
	R2991	RES_201	lost[29C5]	R6704	RES_201	lost[67B7]	U3700	MAX9705_TDFN1	lost[37B4]
	R3001	RES_201	lost[30D1]	R6705	RES_201	lost[67B7]	U3800	MAX9724A_TQFN	lost[38D6]
	R3005	RES_201	lost[30D1]	R6706	RES_201	lost[67B7]	U4050	STG3694A_QFN10L	lost[40C2]
	R3009	RES_201	lost[30A3]	R6707	RES_201	lost[67B7]	U4210	CD3272_WCS99	lost[42B3]
	R3010	RES_201	lost[30D3]	R6710	RES_201	lost[67B4]	U4220	CD3272_WCS99	lost[42B6]
	R3011	RES_201	lost[30C3]	R6711	RES_201	lost[67B4]	U4300	EMC1043_MSOP	lost[43D5]
	R3012	RES_201	lost[30A3]	R6712	RES_201	lost[67B4]	U5000	SUPPR_NUP412VP5_SOT9	lost[50B2]
	R3050	RES_201	lost[30C4]	R6713	RES_201	lost[67B4]	53		
	R3051	RES_201	lost[30C4]	R6714	RES_201	lost[67B4]	U5100	SUPPR_NUP412VP5_SOT9	lost[51A2]
	R3052	RES_201	lost[30C4]	R6715	RES_201	lost[67B4]	53		
	R3060	RES_201	lost[30D2]	R6716	RES_201	lost[67B4]	U5200	SWI_LM34902_USMD	lost[52C6]
	R3066	RES_201	lost[30B3]	R6717	RES_201	lost[67B4]	U5201	SWI_LM34902_USMD	lost[52C6]
	R3080	RES_402	lost[30D3]	R7503	RES_201	lost[75B7]	U5202	74HC303244_QFN	lost[52C2]
	R3081	RES_402	lost[30D3]	R7504	RES_201	lost[75B7]	U6600	PS2231_IQFP	lost[66C5]
	R3090	RES_402	lost[30A1]	R7505	RES_201	lost[75B7]	U6700	FLASH_8GX8_48P7_TSOP	lost[67C6]
	R3091	RES_402	lost[30A1]	R7506	RES_201	lost[75B3]	U6710	FLASH_8GX8_48P7_TSOP	lost[67C3]
	R3100	RES_201	lost[31B3]	R7507	RES_201	lost[75B3]	U7501	THS7318_BGA	lost[75C7]
	R3101	RES_201	lost[31D4]	R7508	RES_201	lost[75C3]	U7600	A1010_WLCSF48	lost[76C5]
	R3102	RES_201	lost[31D2]	R7509	RES_201	lost[75B3]	U7601	MAX8510_SC70-5	lost[76D6]
	R3107	RES_201	lost[31B6]	R7510	RES_201	lost[75C3]	U9400	CH7021A_QFN	lost[94C6]
	R3108	RES_201	lost[31B6]	R7511	RES_201	lost[75C3]	U9600	BT_WIFI_MOD_M53_SM	lost[96C5]
	R3109	RES_201	lost[31A6]	R7520	RES_201	lost[75B7]	U9700	FT232R_QFN	lost[97C5]
	R3150	RES_201	lost[31B3]	R7521	RES_201	lost[75B7]	XW1201	SHORT_SM	lost[12B1]
	R3160	RES_201	lost[31C5]	R7522	RES_201	lost[75B7]	XW1700	SHORT_SHORT-0201	lost[17B7]
	R3190	RES_201	lost[31D6]	R7600	RES_201	lost[76C7]	XW1701	SHORT_SHORT-0201	lost[17C2]
	R3191	RES_201	lost[31D6]	R7610	RES_201	lost[76B7]	XW1900	SHORT_SHORT-0201	lost[19C5]
	R3200	RES_201	lost[32C4]	R7611	RES_201	lost[76B7]	XW1901	SHORT_SHORT-0201	lost[19D7]
	R3201	RES_201	lost[32C4]	R7612	RES_201	lost[76B6]	XW1902	SHORT_SHORT-0201	lost[19D7]
	R3203	RES_201	lost[32D7]	R7613	RES_201	lost[76C7]	XW1903	SHORT_SHORT-0201	lost[19B4]
	R3204	RES_201	lost[32D7]	R7614	RES_201	lost[76C7]	XW1904	SHORT_SHORT-0201	lost[19B4]
	R3205	RES_201	lost[32C8]	R7615	RES_201	lost[76C6]	XW1905	SHORT_SHORT-0201	lost[19C3]
	R3206	RES_201	lost[32C3]	R7616	RES_201	lost[76C4]	XW1906	SHORT_SHORT-0201	lost[19C3]
	R3207	RES_201	lost[32C3]	R7617	RES_201	lost[76C3]	XW2000	SHORT_SHORT-0201	lost[20B5]
	R3300	RES_201	lost[33C5]	R7618	RES_201	lost[76B3]	XW2100	SHORT_SHORT-0201	lost[21B3]
	R3301	RES_201	lost[33C5]	R7620	RES_201	lost[76C6]	XW2101	SHORT_SHORT-0201	lost[21A4]
	R3302	RES_201	lost[33C6]	R7621	RES_201	lost[76C6]	XW2201	SHORT_SHORT-0201	lost[22A5]
	R3303	RES_201	lost[33C6]	R7650	RES_201	lost[76A5]	XW2300	SHORT_SHORT-0201	lost[23B5]
	R3304	RES_201	lost[33C3]	R9003	RES_201	lost[90C6]	XW2301	SHORT_SHORT-0201	lost[23C5]
	R3500	RES_201	lost[35D2]	R9004	RES_201	lost[90B2]	XW2302	SHORT_SHORT-0201	lost[23C4]
	R3501	RES_201	lost[35C2]	R9005	RES_201	lost[90B7]	XW2303	SHORT_SHORT-0201	lost[23A5]
	R3504	RES_201	lost[35B4]	R9010	RES_201	lost[90B6]	XW2400	SHORT_SHORT-0201	lost[24C3]
	R3505	RES_201	lost[35C3]	R9011	RES_201	lost[90A4]	XW2450	SHORT_SHORT-0201	lost[24A5]
	R3512	RES_201	lost[35D6]	R9012	RES_201	lost[90A5]	XW2600	SHORT_SHORT-0201	lost[26B3]
	R3514	RES_201	lost[35C6]	R9013	RES_201	lost[90A4]	XW2800	SHORT_SM	lost[28C2]
	R3515	RES_201	lost[35B6]	R9020	RES_201	lost[90C4]	XW3000	SHORT_SM	lost[30A4]
	R3516	RES_201	lost[35D6]	R9050	RES_201	lost[90B4]	XW3600	SHORT_SM	lost[36A5]
	R3518	RES_201	lost[35C1]	R9051	RES_201	lost[90B6]	XW3601	SHORT_SM	lost[36B6]
	R3519	RES_201	lost[35B1]	R9052	RES_201	lost[90B5]	XW3602	SHORT_SM	lost[36B6]
	R3600	RES_201	lost[36A5]	R9407	RES_201	lost[94B4]	XW3700	SHORT_SM	lost[37A6]
	R3610	RES_201	lost[36C7]	R9408	RES_201	lost[94A4]	XW3701	SHORT_SM	lost[37B6]
	R3611	RES_201	lost[36B6]	R9409	RES_201	lost[94A5]	XW3950	SHORT_SM	lost[39A6]
	R3612	RES_201	lost[36B6]	R9410	RES_201	lost[94A5]	XW3951	SHORT_SM	lost[39A6]
	R3613	RES_201	lost[36B5]	R9418	RES_201	lost[94B4]	XW3952	SHORT_SM	lost[39A6]
	R3614	RES_201	lost[36B5]	R9419	RES_201	lost[94A6]	XW3953	SHORT_SM	lost[39A6]
	R3615	RES_201	lost[36B5]	R9450	RES_201	lost[94A7]	XW3954	SHORT_SM	lost[39A6]
	R3616	RES_201	lost[36D7]	R9460	RES_201	lost[94C5]	XW3955	SHORT_SM	lost[39A6]
	R3617	RES_201	lost[36B3]	R9490	RES_201	lost[94B4]	XW4210	SHORT_SM	lost[42B3]
	R3701	RES_201	lost[37B6]	R9491	RES_201	lost[94B4]	XW4220	SHORT_SM	lost[42B6]
	R3702	RES_201	lost[37B6]	R9492	RES_201	lost[94B4]	XW5000	SHORT_SHORT-0201	lost[50A2]
	R3703	RES_201	lost[37B6]	R9600	RES_201	lost[96B2]	XW5100	SHORT_SHORT-0201	lost[51A2]
	R3704	RES_201	lost[37B6]	R9601	RES_201	lost[96B5]	XW7600	SHORT_SM	lost[76C6]
	R3710	RES_201	lost[37A5]	TP0900	TP_SM-TP25-TOP	lost[9D3]	Y0900	CRYSTAL_3.2X1.5X.6-S	lost[9D3]
	R3810	RES_201	lost[38B6]	TP0901	TP_SM-TP25-TOP	lost[9D3]	M		
	R3811	RES_201	lost[38B6]	U0600	SILVERTHORNE_BGA	lost[6D7 6C3]	Y1500	CRYSTAL_4PIN_SM-2.5X	lost[15C6]
	R3820	RES_201	lost[38A6]	U0600	SILVERTHORNE_BGA	lost[7D8 7D5]	2.0MM		
	R3821	RES_201	lost[38A6]	U0800	POULSBO_BGA	lost[8D5]	Y2900	CRYSTAL_4PIN_SM-2.5X	lost[29C7]
	R3840	RES_201	lost[38B3]	U0800	POULSBO_BGA	lost[9D5]	2.0MM		
	R3841	RES_201	lost[38B3]	U0800	POULSBO_BGA	lost[10D6]	Y6600	CRYSTAL_4PIN_SM-3.2X	lost[66C7]
	R3842	RES_201	lost[38B3]	U0800	POULSBO_BGA	lost[11D5]	2.5MM		
	R3843	RES_201	lost[38B2]	U0800	POULSBO_BGA	lost[12D7]	Y9400	CRYSTAL_4PIN_SM-2.5X	lost[94B7]
	R3950	RES_201	lost[39A7]	U0800	POULSBO_BGA	lost[13D8 13D6 13D4 13D2]	2.0MM		
	R3951	RES_201	lost[39A6]	U1400	SDRAM_32MX16_84P_FBG	lost[14D2]			
	R4000	RES_402	lost[40C7]	A					
	R4001	RES_402	lost[40C7]	U1401	SDRAM_32MX16_84P_FBG	lost[14B3]			
	R4010	RES_201	lost[40C6]	A					
	R4011	RES_201	lost[40C6]	U1402	SDRAM_32MX16_84P_FBG	lost[14D7]			
	R4015	RES_201	lost[40C7]	A					
	R4016	RES_201	lost[40C7]	U1403	SDRAM_32MX16_84P_FBG	lost[14B7]			
	R4020	RES_201	lost[40B6]	A					
	R4021	RES_201	lost[40B6]	U1500	CLK_GEN_SLG88P528_QF	lost[15C5]			
	R4025	RES_201	lost[40B7]	N					
	R4026	RES_201	lost[40B7]	U1901	INA210_SC70	lost[19D2]			
	R4050	RES_201	lost[40B2]	U1910	LTC6102_DFN	lost[19D8]			
	R4200	RES_201	lost[42D2]	U1911	OPAMP_LMC7111_SOT23-	lost[19B7]			
	R4201	RES_201	lost[42D3]	5-LF					
	R4202	RES_201	lost[42C3]	U1912	LTC38351_DFN	lost[19D6]			
	R4203	RES_201	lost[42D6]	U1913	OPAMP_LMC7111_SOT23-	lost[19A3]			
	R4204	RES_201	lost[42D7]	5-LF					
	R4205	RES_201	lost[42C7]	U1914	OPAMP_LTC2053_DFN_DF	lost[19C3]			
	R4210	RES_201	lost[42B3]	N					
	R4211	RES_201	lost[42B3]	U1915	OPAMP_LMC7111_SOT23-	lost[19A2]			
	R4220	RES_201	lost[42B7]	5-LF					
	R4221	RES_201	lost[42B7]	U2000	SC454_MPLD	lost[20C5]			
	R4222	RES_201	lost[42A6]	U2100	LTC3785_QFN	lost[21D6]			
	R4300	RES_402	lost[43D5]	U2101	ISL8013_QFN	lost[21A4]			
R4301	RES_402	lost[43B4]	U2201	SC120_MLDP	lost[22B5]				
R4302	RES_402	lost[43B4]	U2250	TPS62510_BQA	lost[22C5]				
R4305	RES_603	lost[43C5]	U2300	74LVC1G07_SOT886	lost[23C7]				
R5000	RES_201	lost[50A7]	U2302	TPS51116_QFN	lost[23B6]				
R5002	RES_201	lost[50C7]	U2400	DCDC_LTC470A_DFN	lost[24D6]				
R5070	RES_201	lost[50B4]	U2450	LTC3531_DFN	lost[24B5]				
R5071	RES_201	lost[50A4]	U2600	SC440_MLPO	lost[26C5]				
R5072	RES_201	lost[50A4]	U2700	ISL6130_QFN	lost[27B7]				
R5080	RES_201	lost[50C7]	U2800	HS82117_LGA	lost[28B7 28D7 28D3]				
R5090	RES_201	lost[50C7]	U2900	STM6778_SOT23-6	lost[29D7]				
R5100	RES_201	lost[51A7]	U2901	VREP_REF3133_SOT23-3	lost[29C8]				
R5102	RES_201	lost[51C7]	U2902	74LVC1G32CF_SOT891	lost[29D8]				
R5170	RES_201	lost[51B4]	U3000	TPS61045_QFN	lost[30A4]				
R5171	RES_201	lost[51B4]	U3001	CV8C24994_BGA_VFPGA	lost[30D3]				
R5172	RES_201	lost[51A4]	U3002	MARIO_LITE_BGA	lost[30D6]				
R5180	RES_201	lost[51C7]	U3003	MARIO_LITE_BGA	lost[30D8]				
R5190	RES_201	lost[51C7]	U3004	MARIO_LITE_BGA	lost[30D5]				
R5200	RES_201	lost[52C6]	U3100	ZEPHYR_BGA-HF	lost[31D4]				
R5201	RES_201	lost[52C6]	U3101	BCM5974_FBGA	lost[31D7]				
R5202	RES_201	lost[52B6]	U3102	FLASH_SST25VF020_QFN	lost[31D2]				
R5203	RES_201	lost[52B6]	U3150	74AHC1G14_SC70-LF	lost[31B2]				
R5220									