

Compal Confidential

ICL50/51, ICK70/71 Schematics Document

Intel Merom Processor with Crestline(PM965/GM965) + DDRII + ICH8M
(With ATI MXM/B)

2007-8-15

REV: 2.0

Security Classification		Compal Secret Data		Compal Electronics, Inc.	
Issued Date	2007/04/04	Deciphered Date	2008/04/04	Title	
<small>THIS SHEET OF ENGINEERING DRAWING IS THE PROPRIETARY PROPERTY OF COMPAL ELECTRONICS, INC. AND CONTAINS CONFIDENTIAL AND TRADE SECRET INFORMATION. THIS SHEET MAY NOT BE TRANSFERRED FROM THE CUSTODY OF THE COMPETENT DIVISION OF R&D DEPARTMENT EXCEPT AS AUTHORIZED BY COMPAL ELECTRONICS, INC. NEITHER THIS SHEET NOR THE INFORMATION IT CONTAINS MAY BE USED BY OR DISCLOSED TO ANY THIRD PARTY WITHOUT PRIOR WRITTEN CONSENT OF COMPAL ELECTRONICS, INC.</small>				Cover Page	
				Size B	Document Number
				ICL50/ICK70 M/B LA-3551P Schematic	
				Date:	Wednesday, August 15, 2007
				Sheet	1 of 49

Voltage Rails

Power Plane	Description	S1	S3	S5
VIN	Adapter power supply (19V)	N/A	N/A	N/A
B+	AC or battery power rail for power circuit.	N/A	N/A	N/A
+CPU_CORE	Core voltage for CPU	ON	OFF	OFF
+0.9VS	0.9V switched power rail for DDR terminator	ON	OFF	OFF
+1.05VS	1.05V switched power rail	ON	OFF	OFF
+1.25VS	1.25V switched power rail	ON	OFF	OFF
+1.5VS	1.5V switched power rail	ON	OFF	OFF
+1.8V	1.8V power rail for DDR	ON	ON	OFF
+1.8VS	1.8V switched power rail	ON	OFF	OFF
+2.5VS	2.5V switched power rail	ON	OFF	OFF
+3VALW	3.3V always on power rail	ON	ON	ON*
+3V	3.3V power rail for SB	ON	ON	X
+3V_LAN	3.3V power rail for LAN	ON	ON	X
+3VS	3.3V switched power rail	ON	OFF	OFF
+5VALW	5V always on power rail	ON	ON	ON*
+5VS	5V switched power rail	ON	OFF	OFF
+VSB	VSB always on power rail	ON	ON	ON*
+RTCVCC	RTC power	ON	ON	ON

Note : ON* means that this power plane is ON only with AC power available, otherwise it is OFF.

External PCI Devices

Device	IDSEL#	REQ#/GNT#	Interrupts
1394/Card Reader	AD16	0	PIRQE PIRQG

EC SM Bus1 address

Device	Address
Smart Battery	0001 011X b
EEPROM(24C16/02)	1010 000X b
GMT G781-1	1001 101X b

EC SM Bus2 address

Device	Address
ADI ADM1032	1001 100X b

ICH8M SM Bus address

Device	Address
Clock Generator (ICS9LPRS365)	1101 001Xb
DDR DIMM0	1001 000Xb
DDR DIMM2	1001 010Xb

STATE	SIGNAL	SLP_S1#	SLP_S3#	SLP_S4#	SLP_S5#	+VALW	+V	+VS	Clock
Full ON		HIGH	HIGH	HIGH	HIGH	ON	ON	ON	ON
S1(Power On Suspend)		LOW	HIGH	HIGH	HIGH	ON	ON	ON	LOW
S3 (Suspend to RAM)		LOW	LOW	HIGH	HIGH	ON	ON	OFF	OFF
S4 (Suspend to Disk)		LOW	LOW	LOW	HIGH	ON	OFF	OFF	OFF
S5 (Soft OFF)		LOW	LOW	LOW	LOW	ON	OFF	OFF	OFF

Board ID / SKU ID Table for AD channel

Vcc	3.3V +/- 5%			
Ra/Rc/Re	100K +/- 5%			
Board ID	Rb / Rd / Rf	V _{AD_BID min}	V _{AD_BID typ}	V _{AD_BID max}
0	0	0 V	0 V	0 V
1	8.2K +/- 5%	0.216 V	0.250 V	0.289 V
2	18K +/- 5%	0.436 V	0.503 V	0.538 V
3	33K +/- 5%	0.712 V	0.819 V	0.875 V
4	56K +/- 5%	1.036 V	1.185 V	1.264 V
5	100K +/- 5%	1.453 V	1.650 V	1.759 V
6	200K +/- 5%	1.935 V	2.200 V	2.341 V
7	NC	2.500 V	3.300 V	3.300 V

BOARD ID Table

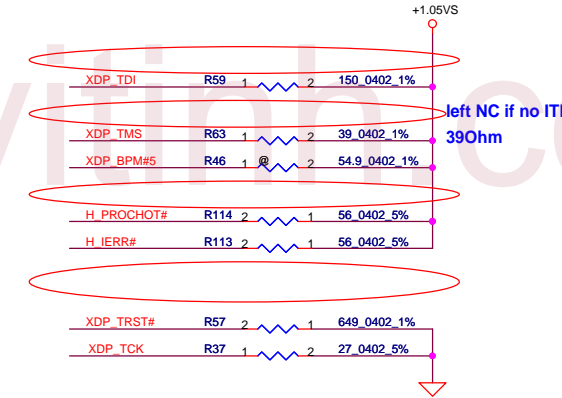
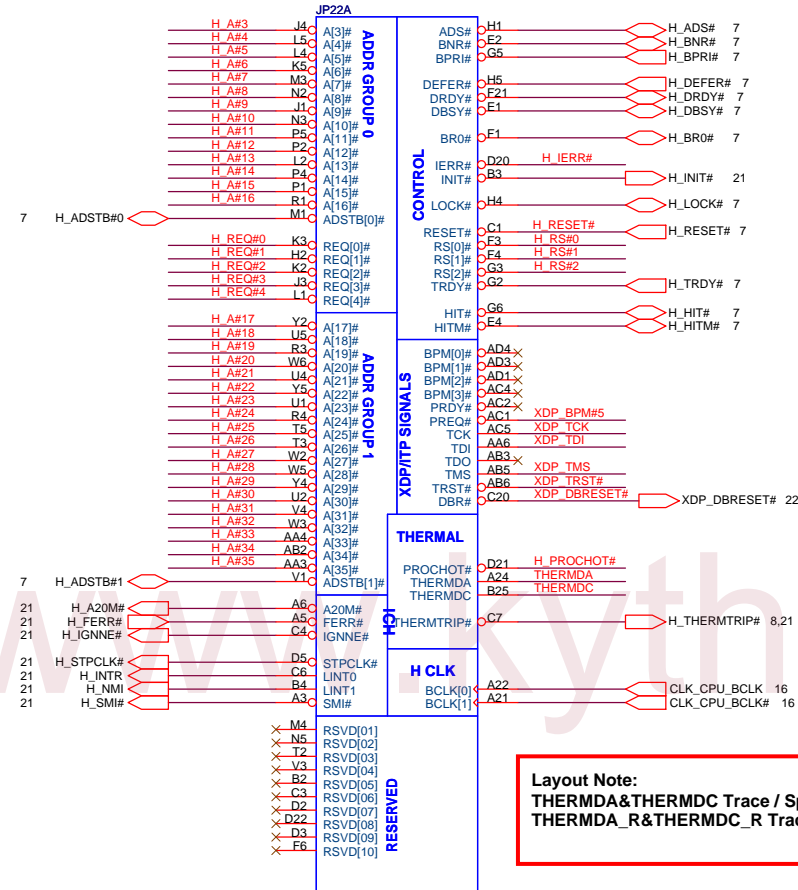
Board ID	PCB Revision
0	0.1
1	0.2
2	0.3
3	1.0
4	1A(Nettiling)
5	1A(Acadia 960)
6	
7	

BTO Option Table

BTO Item	BOM Structure
Discrete	PM@
UMA	GM@

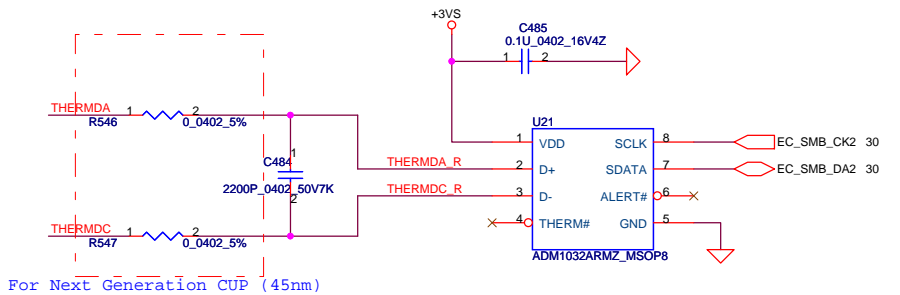
Security Classification	Compal Secret Data		Compal Electronics, Inc.	
Issued Date	2006/12/25	Deciphered Date	2007/12/25	Title
				Notes List
THIS SHEET OF ENGINEERING DRAWING IS THE PROPRIETARY PROPERTY OF COMPAL ELECTRONICS, INC. AND CONTAINS CONFIDENTIAL AND TRADE SECRET INFORMATION. THIS SHEET MAY NOT BE TRANSFERRED FROM THE CUSTODY OF THE COMPETENT DIVISION OF R&D DEPARTMENT EXCEPT AS AUTHORIZED BY COMPAL ELECTRONICS, INC. NEITHER THIS SHEET NOR THE INFORMATION IT CONTAINS MAY BE USED BY OR DISCLOSED TO ANY THIRD PARTY WITHOUT PRIOR WRITTEN CONSENT OF COMPAL ELECTRONICS, INC.				Size B
				Document Number
				ICL50/ICK70 M/B LA-3551P Schematic
				Rev
				1
				Date: Wednesday, August 15, 2007
				Sheet 3 of 49

- 7 H_A#[3..35] H_A#[3..35]
- 7 H_REQ#[0..4] H_REQ#[0..4]
- 7 H_RS#[0..2] H_RS#[0..2]

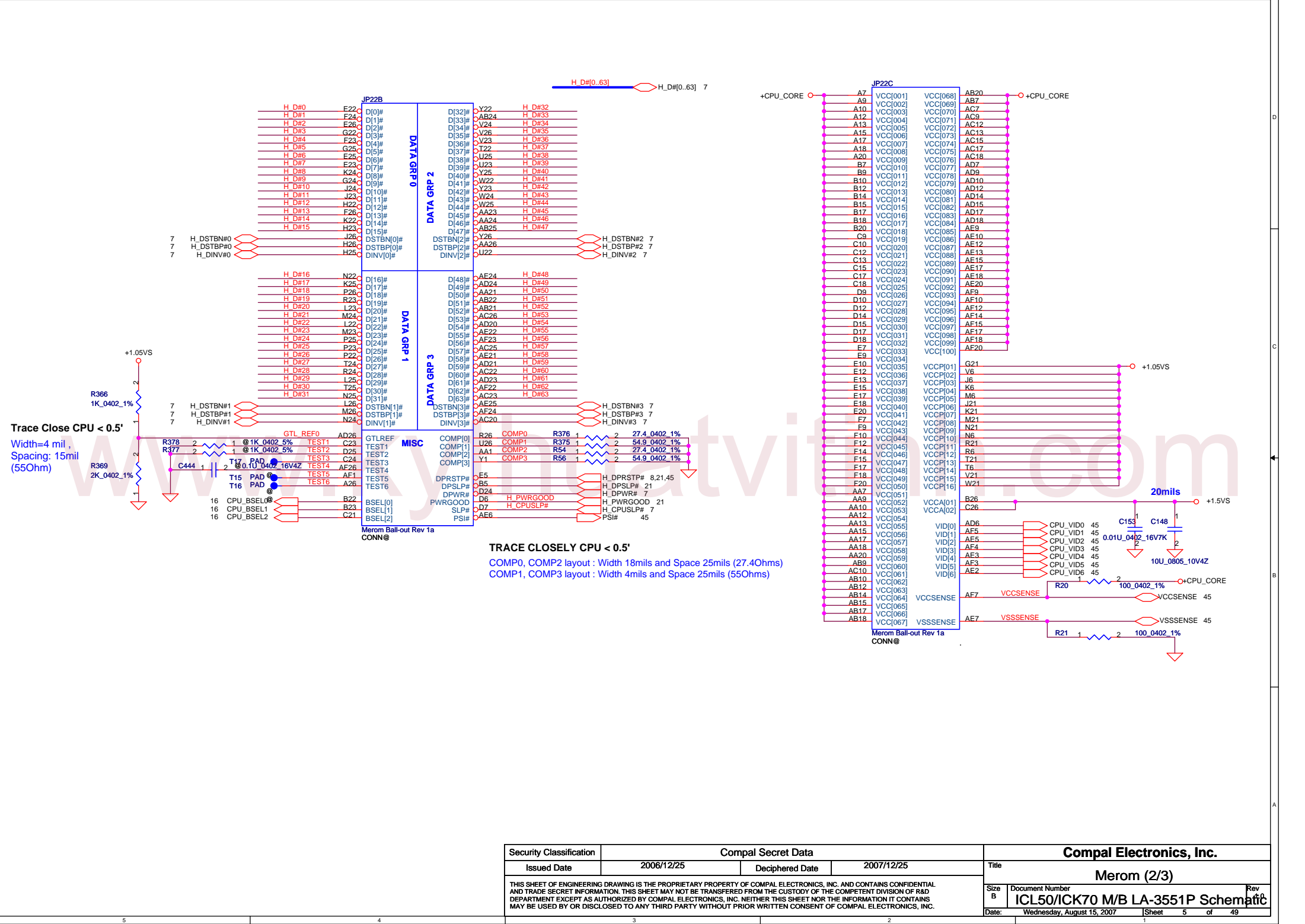


Layout Note:
 THERMDA&THERMDC Trace / Space = 10 / 10 mil
 THERMDA_R&THERMDC_R Trace / Space = 10 / 10 mil

BSEL2	BSEL1	BSEL0	BCLK
0	1	0	200
0	1	1	166



For Next Generation CUP (45nm)



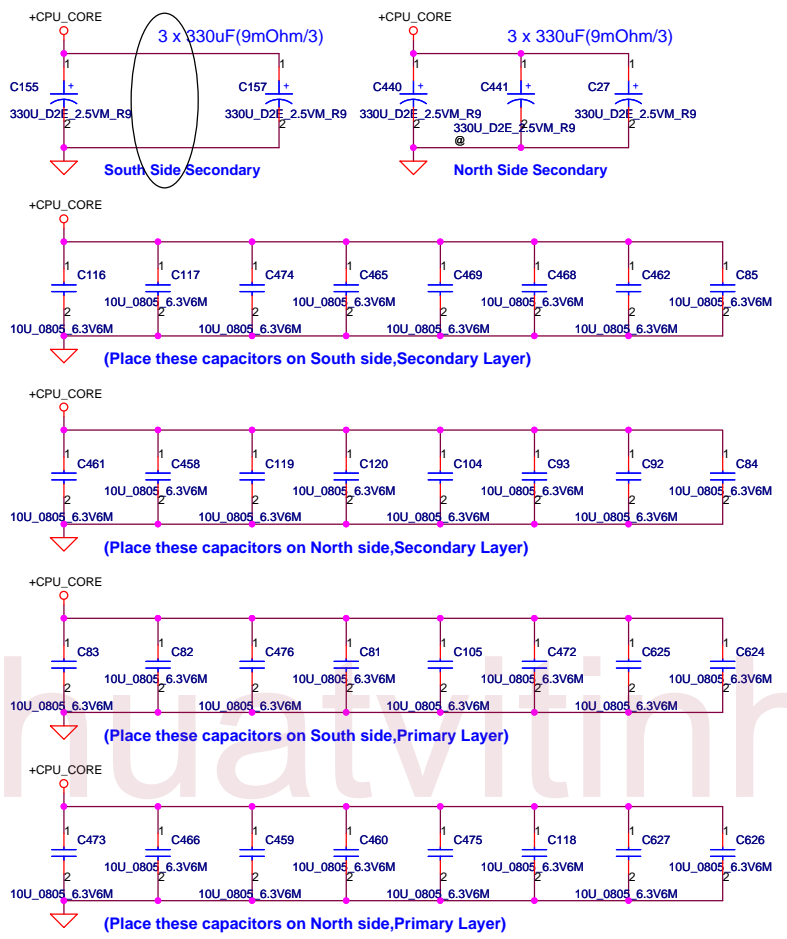
Trace Close CPU < 0.5'
 Width=4 mil
 Spacing: 15mil
 (55Ohm)

TRACE CLOSELY CPU < 0.5'
 COMP0, COMP2 layout : Width 18mils and Space 25mils (27.4Ohms)
 COMP1, COMP3 layout : Width 4mils and Space 25mils (55Ohms)

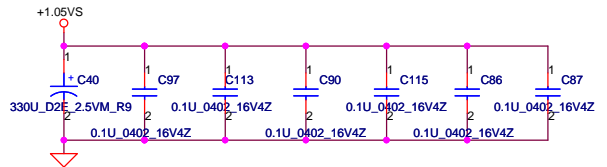
Security Classification		Compal Secret Data		Compal Electronics, Inc.	
Issued Date	2006/12/25	Deciphered Date	2007/12/25	Title	
				Merom (2/3)	
THIS SHEET OF ENGINEERING DRAWING IS THE PROPRIETARY PROPERTY OF COMPAL ELECTRONICS, INC. AND CONTAINS CONFIDENTIAL AND TRADE SECRET INFORMATION. THIS SHEET MAY NOT BE TRANSFERRED FROM THE CUSTODY OF THE COMPANET DIVISION OF R&D DEPARTMENT EXCEPT AS AUTHORIZED BY COMPAL ELECTRONICS, INC. NEITHER THIS SHEET NOR THE INFORMATION IT CONTAINS MAY BE USED BY OR DISCLOSED TO ANY THIRD PARTY WITHOUT PRIOR WRITTEN CONSENT OF COMPAL ELECTRONICS, INC.					
Size B	Document Number			Rev	
	ICL50/ICK70 M/B LA-3551P Schematic				
Date:	Wednesday, August 15, 2007	Sheet	5	of	49

JP22D		
A4	VSS[001]	VSS[082]
A8	VSS[002]	VSS[083]
A11	VSS[003]	VSS[084]
A14	VSS[004]	VSS[085]
A16	VSS[005]	VSS[086]
A19	VSS[006]	VSS[087]
A23	VSS[007]	VSS[088]
AF2	VSS[008]	VSS[089]
B6	VSS[009]	VSS[090]
B8	VSS[010]	VSS[091]
B11	VSS[011]	VSS[092]
B13	VSS[012]	VSS[093]
B16	VSS[013]	VSS[094]
B19	VSS[014]	VSS[095]
B21	VSS[015]	VSS[096]
B24	VSS[016]	VSS[097]
C5	VSS[017]	VSS[098]
C8	VSS[018]	VSS[099]
C11	VSS[019]	VSS[100]
C14	VSS[020]	VSS[101]
C16	VSS[021]	VSS[102]
C19	VSS[022]	VSS[103]
C2	VSS[023]	VSS[104]
C22	VSS[024]	VSS[105]
C25	VSS[025]	VSS[106]
D1	VSS[026]	VSS[107]
D4	VSS[027]	VSS[108]
D8	VSS[028]	VSS[109]
D11	VSS[029]	VSS[110]
D13	VSS[030]	VSS[111]
D16	VSS[031]	VSS[112]
D19	VSS[032]	VSS[113]
D23	VSS[033]	VSS[114]
E3	VSS[034]	VSS[115]
E6	VSS[035]	VSS[116]
E8	VSS[036]	VSS[117]
E11	VSS[037]	VSS[118]
E14	VSS[038]	VSS[119]
E16	VSS[039]	VSS[120]
E19	VSS[040]	VSS[121]
E21	VSS[041]	VSS[122]
E24	VSS[042]	VSS[123]
F5	VSS[043]	VSS[124]
F8	VSS[044]	VSS[125]
F11	VSS[045]	VSS[126]
F16	VSS[046]	VSS[127]
F19	VSS[047]	VSS[128]
F2	VSS[048]	VSS[129]
F22	VSS[049]	VSS[130]
F25	VSS[050]	VSS[131]
G4	VSS[051]	VSS[132]
G1	VSS[052]	VSS[133]
G23	VSS[053]	VSS[134]
G26	VSS[054]	VSS[135]
H3	VSS[055]	VSS[136]
H6	VSS[056]	VSS[137]
H21	VSS[057]	VSS[138]
H24	VSS[058]	VSS[139]
J2	VSS[059]	VSS[140]
J5	VSS[060]	VSS[141]
J22	VSS[061]	VSS[142]
J25	VSS[062]	VSS[143]
K1	VSS[063]	VSS[144]
K4	VSS[064]	VSS[145]
K23	VSS[065]	VSS[146]
K26	VSS[066]	VSS[147]
L3	VSS[067]	VSS[148]
L6	VSS[068]	VSS[149]
L21	VSS[069]	VSS[150]
L24	VSS[070]	VSS[151]
M2	VSS[071]	VSS[152]
M5	VSS[072]	VSS[153]
M22	VSS[073]	VSS[154]
M25	VSS[074]	VSS[155]
N1	VSS[075]	VSS[156]
N4	VSS[076]	VSS[157]
N23	VSS[077]	VSS[158]
N26	VSS[078]	VSS[159]
P3	VSS[079]	VSS[160]
	VSS[080]	VSS[161]
	VSS[081]	VSS[162]
		VSS[163]

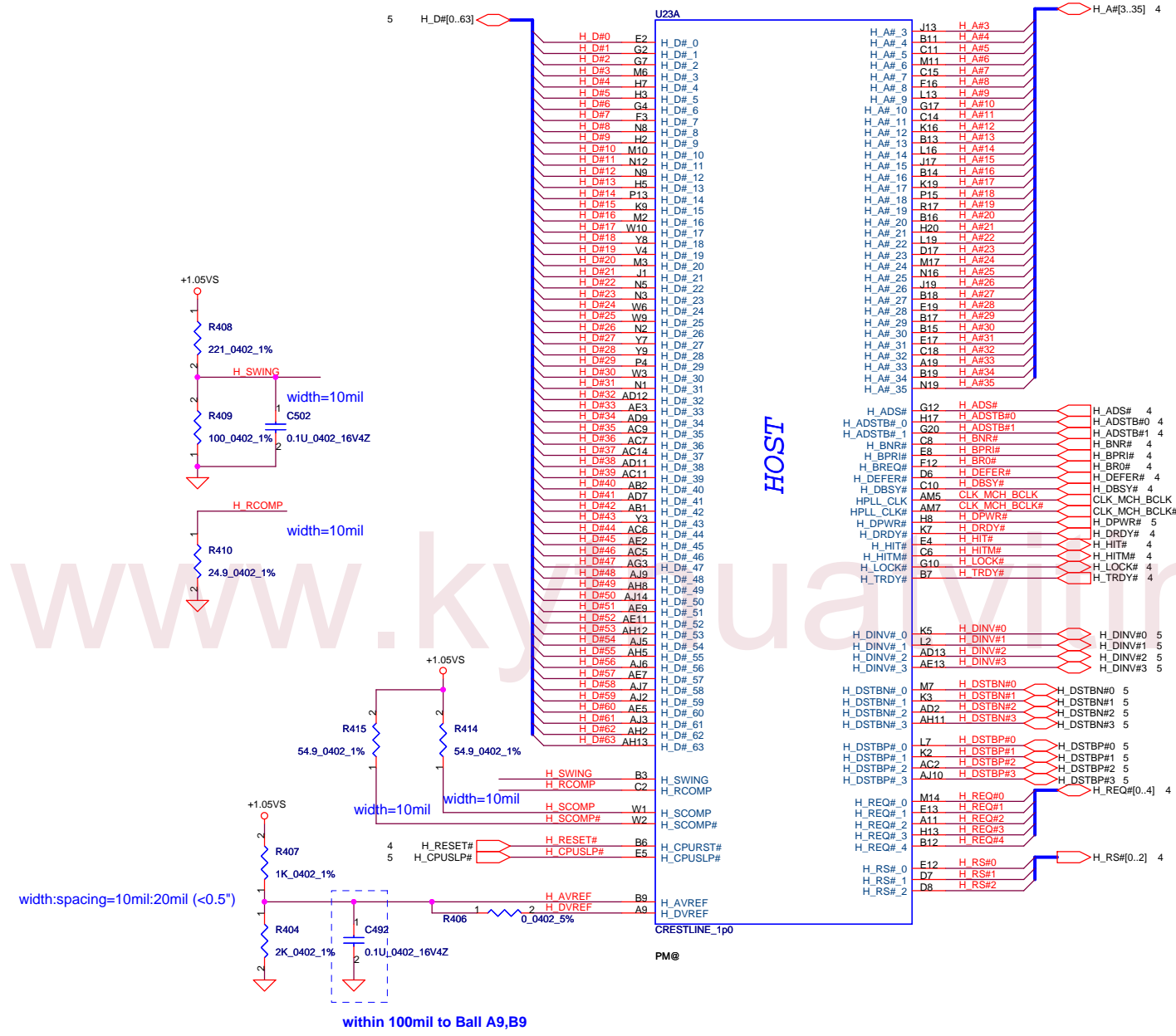
Merom Ball-out Rev 1a
CONN@



+CPU-CORE Decoupling	C, uF	ESR, mohm	ESL, nH
SPCAP, Polymer	6X330uF	9m ohm/6	1.8nH/6
MLCC 0805 X5R	32X22uF	3m ohm/32	0.6nH/32
	32X10uF	3m ohm/32	0.6nH/32

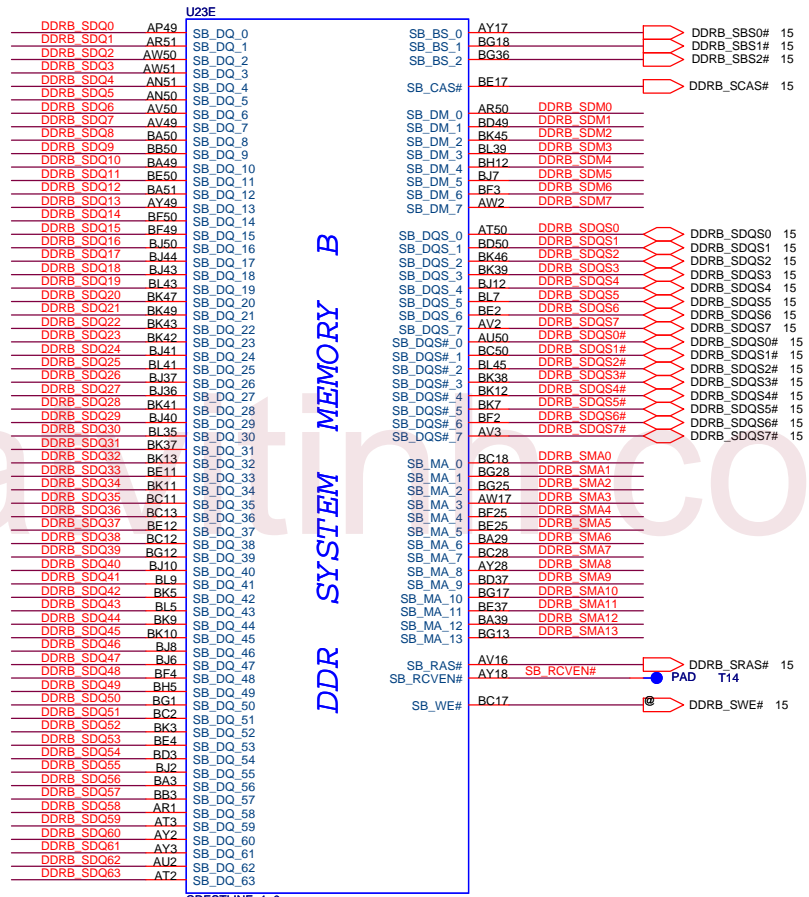
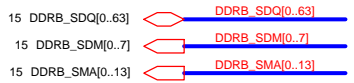
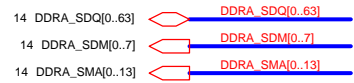


Security Classification		Compal Secret Data		Compal Electronics, Inc.	
Issued Date	2006/12/25	Deciphered Date	2007/12/25	Title	
				Merom (3/3)	
THIS SHEET OF ENGINEERING DRAWING IS THE PROPRIETARY PROPERTY OF COMPAL ELECTRONICS, INC. AND CONTAINS CONFIDENTIAL AND TRADE SECRET INFORMATION. THIS SHEET MAY NOT BE TRANSFERRED FROM THE CUSTODY OF THE COMPETENT DIVISION OF R&D DEPARTMENT EXCEPT AS AUTHORIZED BY COMPAL ELECTRONICS, INC. NEITHER THIS SHEET NOR THE INFORMATION IT CONTAINS MAY BE USED BY OR DISCLOSED TO ANY THIRD PARTY WITHOUT PRIOR WRITTEN CONSENT OF COMPAL ELECTRONICS, INC.					
Size B	Document Number	Date		Sheet	Rev
	ICL50/ICK70 M/B LA-3551P Schematic	Wednesday, August 15, 2007		6	of 49

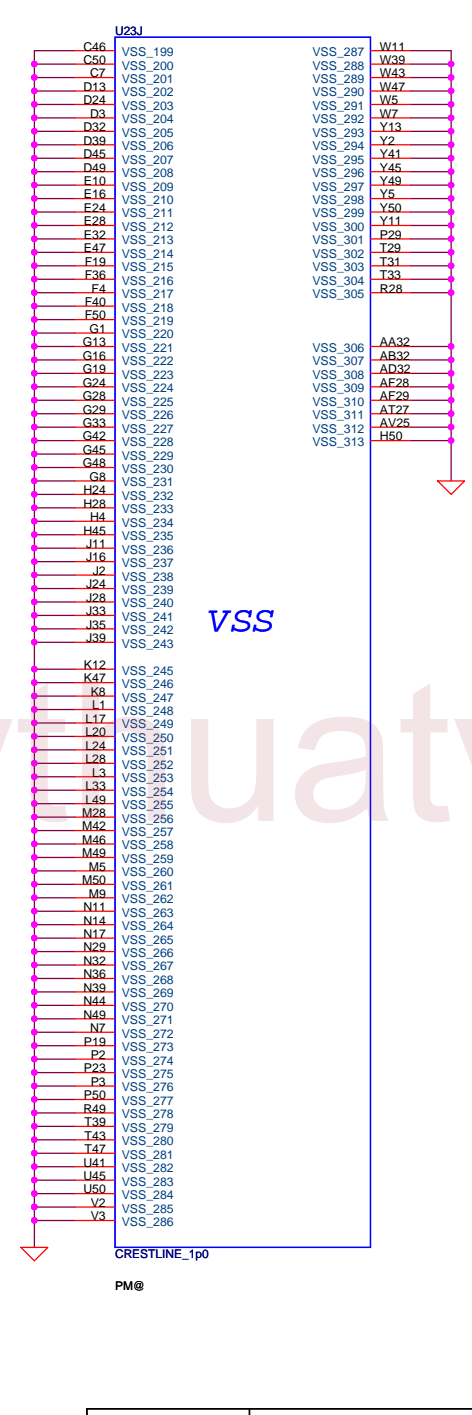
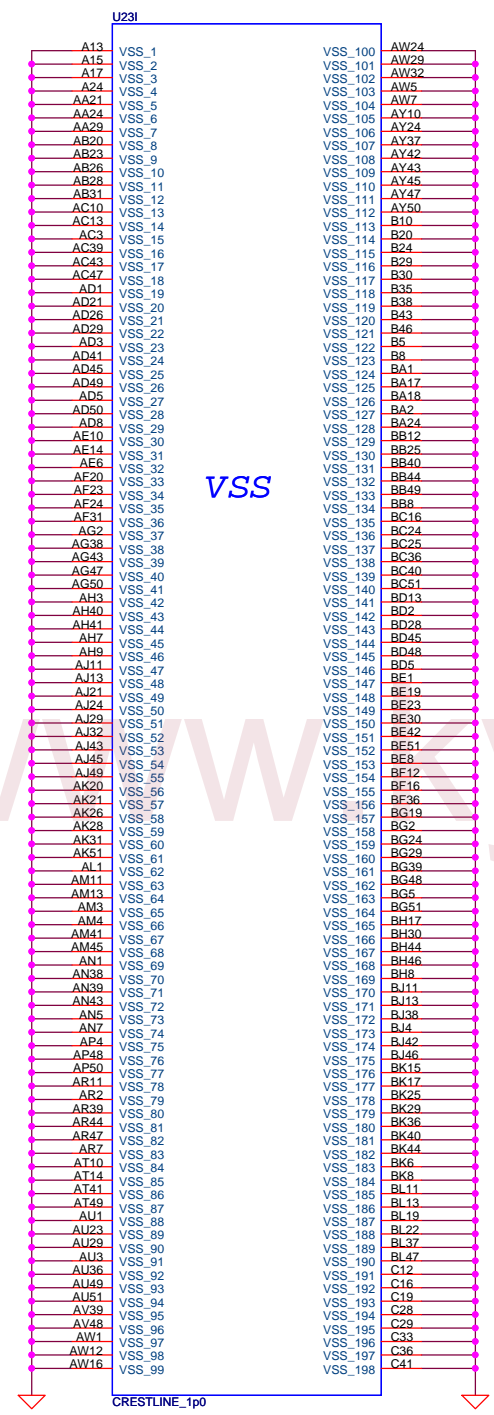


HOSI

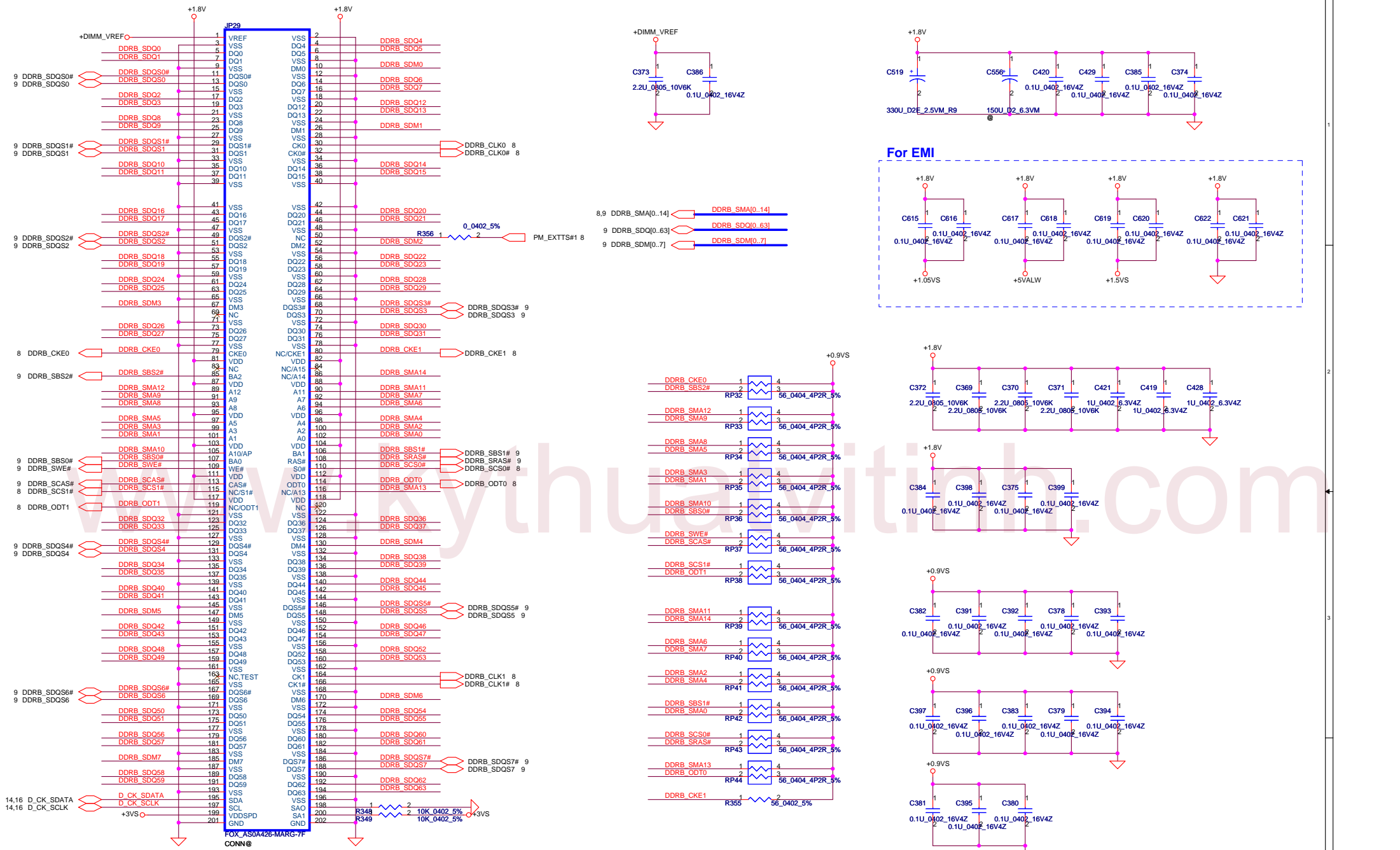
Security Classification		Compal Secret Data		Compal Electronics, Inc.	
Issued Date	2006/12/25	Deciphered Date	2007/12/25	Title	
THIS SHEET OF ENGINEERING DRAWING IS THE PROPRIETARY PROPERTY OF COMPAL ELECTRONICS, INC. AND CONTAINS CONFIDENTIAL AND TRADE SECRET INFORMATION. THIS SHEET MAY NOT BE TRANSFERRED FROM THE CUSTODY OF THE COMPETENT DIVISION OF R&D DEPARTMENT EXCEPT AS AUTHORIZED BY COMPAL ELECTRONICS, INC. NEITHER THIS SHEET NOR THE INFORMATION IT CONTAINS MAY BE USED BY OR DISCLOSED TO ANY THIRD PARTY WITHOUT PRIOR WRITTEN CONSENT OF COMPAL ELECTRONICS, INC.				Crestline GMCH(1/7)-GTL	
Size B	Document Number	ICL50/ICK70 M/B LA-3551P Schematic		Rev	
Date:	Wednesday, August 15, 2007	Sheet	7	of	49



Security Classification		Compal Secret Data		Compal Electronics, Inc.	
Issued Date	2006/12/25	Deciphered Date	2007/12/25	Title	
THIS SHEET OF ENGINEERING DRAWING IS THE PROPRIETARY PROPERTY OF COMPAL ELECTRONICS, INC. AND CONTAINS CONFIDENTIAL AND TRADE SECRET INFORMATION. THIS SHEET MAY NOT BE TRANSFERRED FROM THE CUSTODY OF THE COMPETENT DIVISION OF R&D DEPARTMENT EXCEPT AS AUTHORIZED BY COMPAL ELECTRONICS, INC. NEITHER THIS SHEET NOR THE INFORMATION IT CONTAINS MAY BE USED BY OR DISCLOSED TO ANY THIRD PARTY WITHOUT PRIOR WRITTEN CONSENT OF COMPAL ELECTRONICS, INC.				Crestline GMCH (3/7)-DDR II	
Size B	Document Number	Date		Sheet	Rev
	ICL50/ICK70 M/B LA-3551P Schematic	Wednesday, August 15, 2007		9	of 49



Security Classification		Compal Secret Data		Compal Electronics, Inc.	
Issued Date	2006/12/25	Deciphered Date	2007/12/25	Title	
THIS SHEET OF ENGINEERING DRAWING IS THE PROPRIETARY PROPERTY OF COMPAL ELECTRONICS, INC. AND CONTAINS CONFIDENTIAL AND TRADE SECRET INFORMATION. THIS SHEET MAY NOT BE TRANSFERRED FROM THE CUSTODY OF THE COMPETENT DIVISION OF R&D DEPARTMENT EXCEPT AS AUTHORIZED BY COMPAL ELECTRONICS, INC. NEITHER THIS SHEET NOR THE INFORMATION IT CONTAINS MAY BE USED BY OR DISCLOSED TO ANY THIRD PARTY WITHOUT PRIOR WRITTEN CONSENT OF COMPAL ELECTRONICS, INC.				Crestline GMCH (7/7)-GND	
Size B	Document Number	ICL50/ICK70 M/B LA-3551P Schematic		Rev	
Date:	Wednesday, August 15, 2007	Sheet	13	of	49



DIMM1 REV H:9.2mm (BOT)

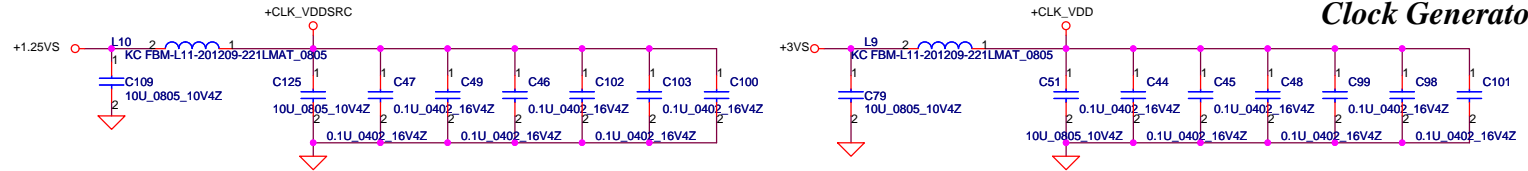
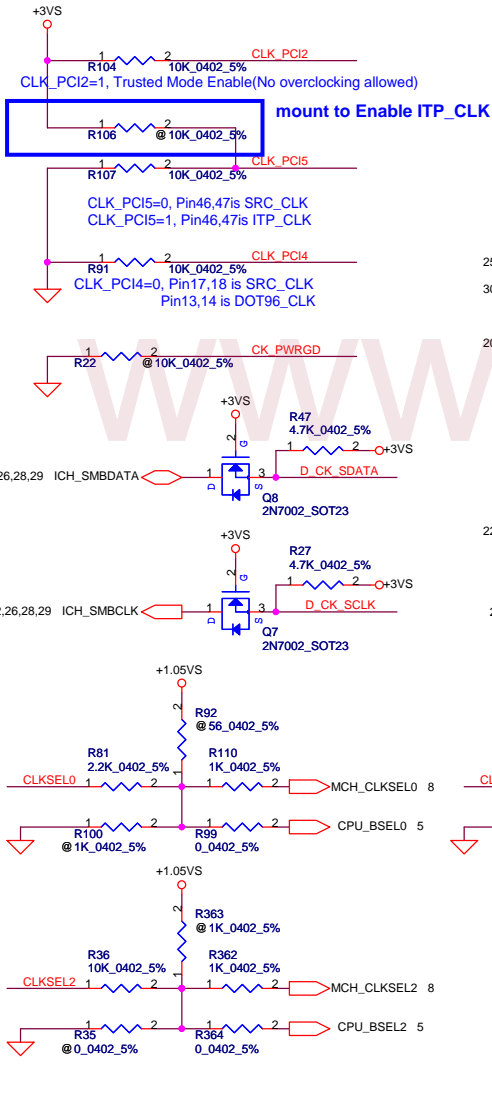
Security Classification	Compal Secret Data		Title	
Issued Date	2006/12/25	Deciphered Date	2007/12/25	Document Number
THIS SHEET OF ENGINEERING DRAWING IS THE PROPRIETARY PROPERTY OF COMPAL ELECTRONICS, INC. AND CONTAINS CONFIDENTIAL AND TRADE SECRET INFORMATION. THIS SHEET MAY NOT BE TRANSFERRED FROM THE CUSTODY OF THE COMPETENT DIVISION OF R&D DEPARTMENT EXCEPT AS AUTHORIZED BY COMPAL ELECTRONICS, INC. NEITHER THIS SHEET NOR THE INFORMATION IT CONTAINS MAY BE USED BY OR DISCLOSED TO ANY THIRD PARTY WITHOUT PRIOR WRITTEN CONSENT OF COMPAL ELECTRONICS, INC.				Rev
				ICL50/ICK70 M/B LA-3551P Schematic
				Wednesday, August 15, 2007
				Sheet 15 of 49

FSLC	FSLB	FSLA	CPU MHz	SRC MHz	PCI MHz
0	1	0	200	100	33.3
0	1	1	166	100	33.3

Table : ICS9LPR365

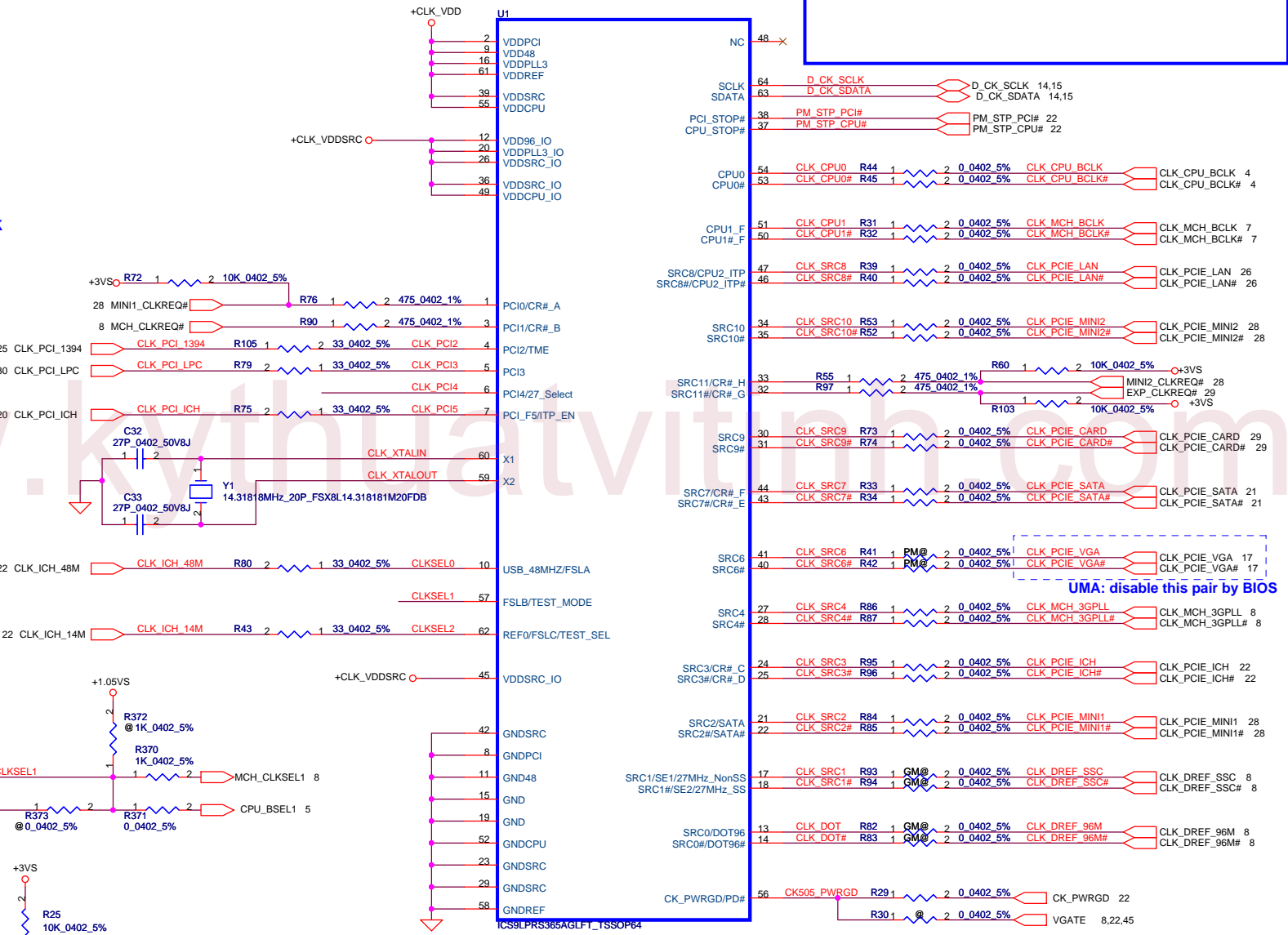
CLK_REQ#	Control	Free-Run
CR#_A(WLAN)	PCIEX2	PCIEX0
CR#_B(MCH)	PCIEX4	PCIEX1
CR#_G(NEW CARD)	PCIEX9	
CR#_H(MINI CARDII)	PCIEX10	

SRC6(VGA_CLK): Discrete VGA[Enable] UMA[Disable]



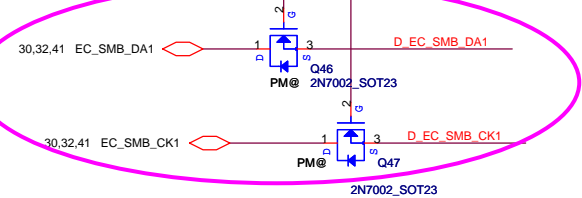
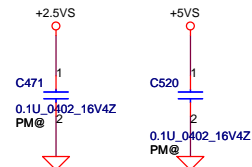
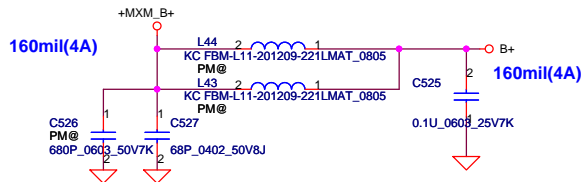
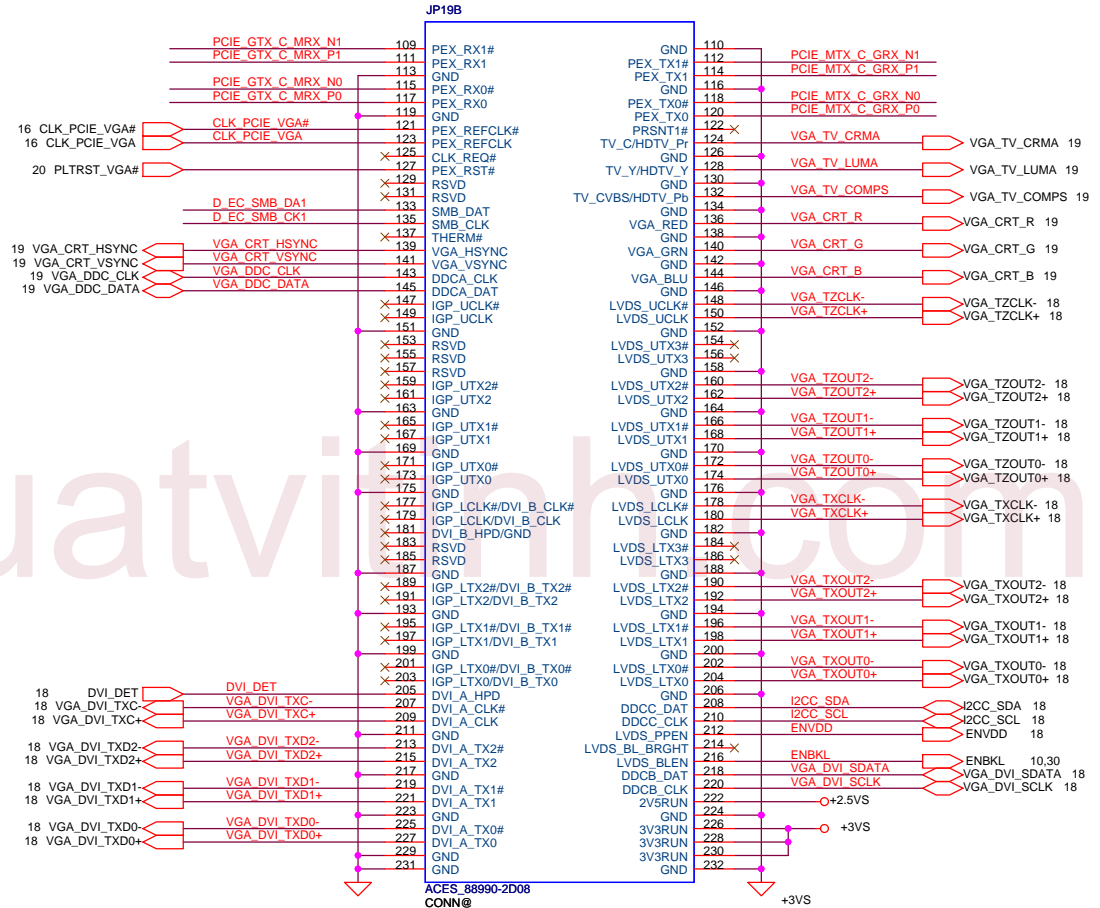
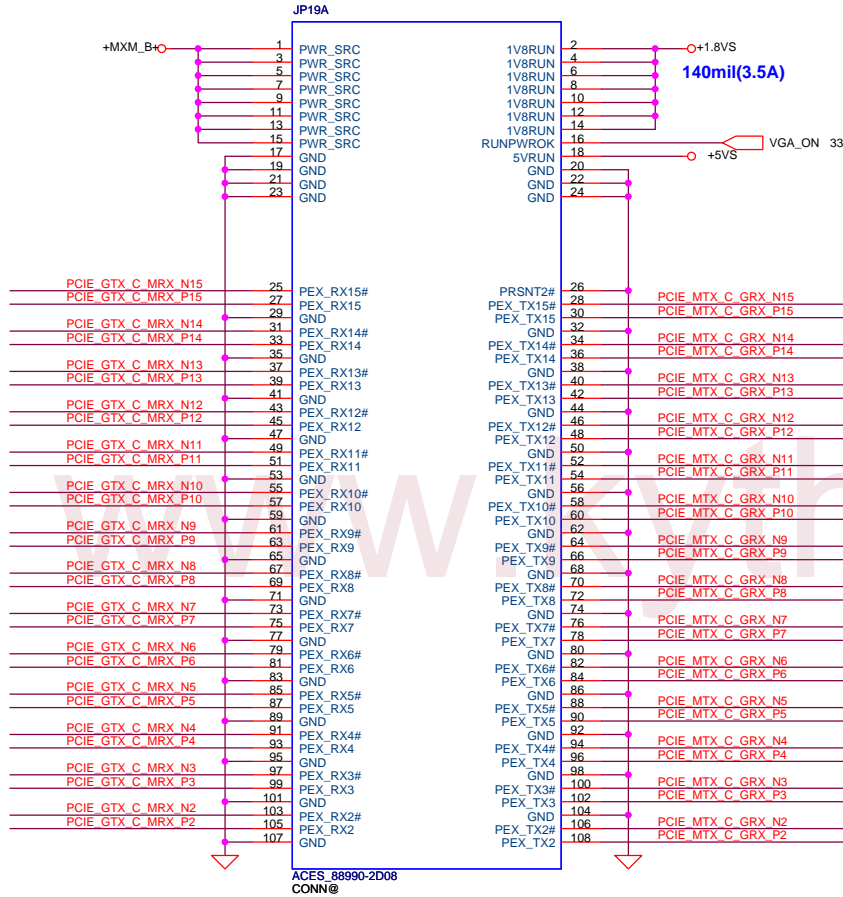
Clock Generator

mount to Enable ITP_CLK



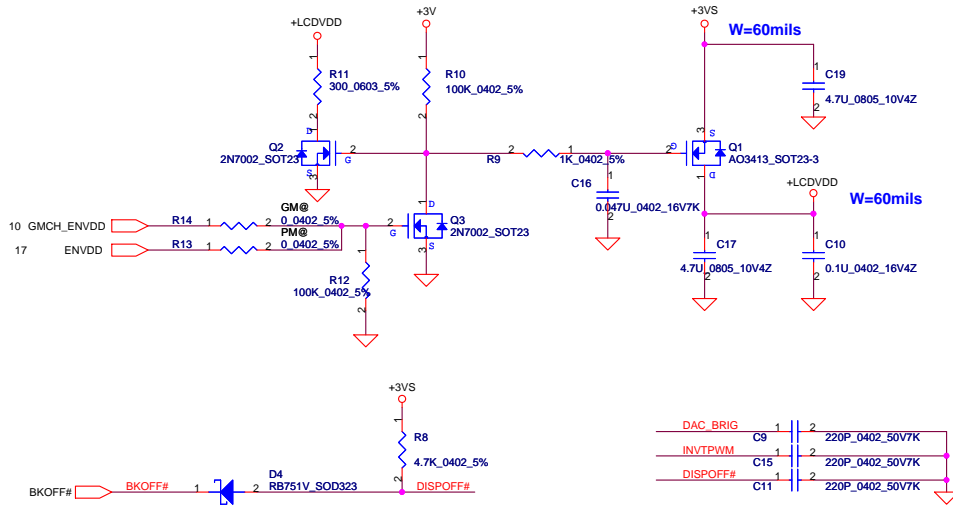
Security Classification		Compal Secret Data		Compal Electronics, Inc.	
Issued Date	2006/12/25	Deciphered Date	2007/12/25	Title	
THIS SHEET OF ENGINEERING DRAWING IS THE PROPRIETARY PROPERTY OF COMPAL ELECTRONICS, INC. AND CONTAINS CONFIDENTIAL AND TRADE SECRET INFORMATION. THIS SHEET MAY NOT BE TRANSFERRED FROM THE CUSTODY OF THE COMPETENT DIVISION OF R&D DEPARTMENT EXCEPT AS AUTHORIZED BY COMPAL ELECTRONICS, INC. NEITHER THIS SHEET NOR THE INFORMATION IT CONTAINS MAY BE USED BY OR DISCLOSED TO ANY THIRD PARTY WITHOUT PRIOR WRITTEN CONSENT OF COMPAL ELECTRONICS, INC.				Clock Generator (CK505)	
Size	Document Number	Date		Rev	
B	ICL50/ICK70 M/B LA-3551P Schmatf	Wednesday, August 15, 2007		16 of 49	

- 10 PCIE_MTX_C_GRX_N[0..15] **PCIE_MTX_C_GRX_N[0..15]**
- 10 PCIE_MTX_C_GRX_P[0..15] **PCIE_MTX_C_GRX_P[0..15]**
- 10 PCIE_GTX_C_MRX_N[0..15] **PCIE_GTX_C_MRX_N[0..15]**
- 10 PCIE_GTX_C_MRX_P[0..15] **PCIE_GTX_C_MRX_P[0..15]**

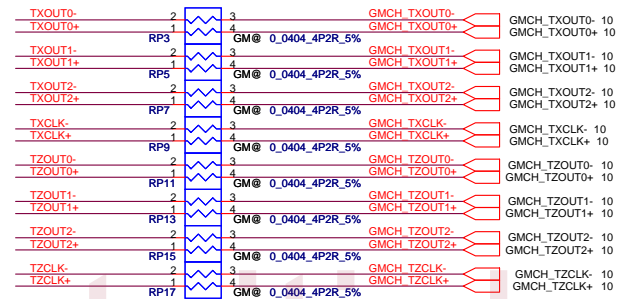
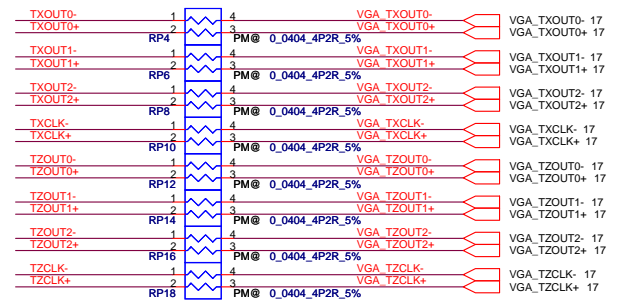
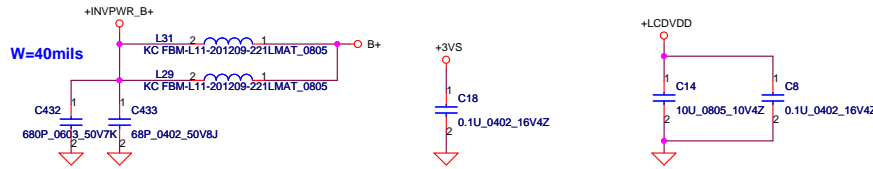
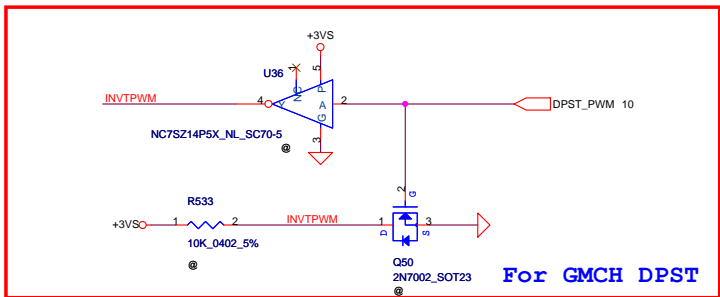
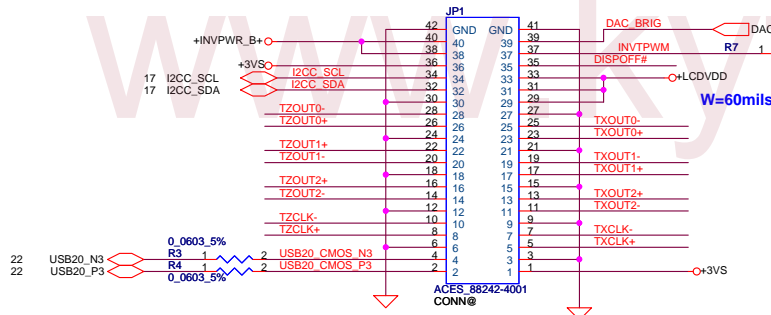


Security Classification		Compal Secret Data		Compal Electronics, Inc.	
Issued Date	2006/12/25	Deciphered Date	2007/12/25	Title	
THIS SHEET OF ENGINEERING DRAWING IS THE PROPRIETARY PROPERTY OF COMPAL ELECTRONICS, INC. AND CONTAINS CONFIDENTIAL AND TRADE SECRET INFORMATION. THIS SHEET MAY NOT BE TRANSFERRED FROM THE CUSTODY OF THE COMPETENT DIVISION OF R&D DEPARTMENT EXCEPT AS AUTHORIZED BY COMPAL ELECTRONICS, INC. NEITHER THIS SHEET NOR THE INFORMATION IT CONTAINS MAY BE USED BY OR DISCLOSED TO ANY THIRD PARTY WITHOUT PRIOR WRITTEN CONSENT OF COMPAL ELECTRONICS, INC.				MXM Connector	
Size B	Document Number	ICL50/ICK70 M/B LA-3551P Schematic		Rev	
Date:	Wednesday, August 15, 2007	Sheet	17	of 49	

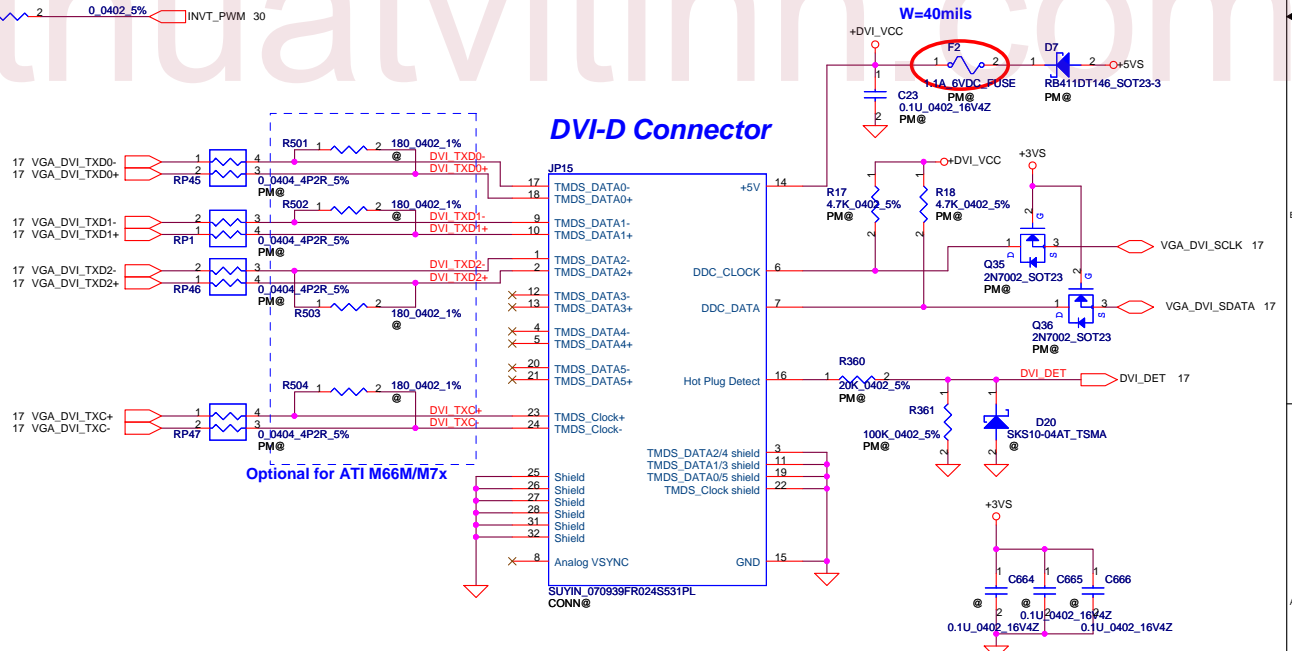
LCD POWER CIRCUIT



LCD/PANEL BD. Conn.



DVI-D Connector

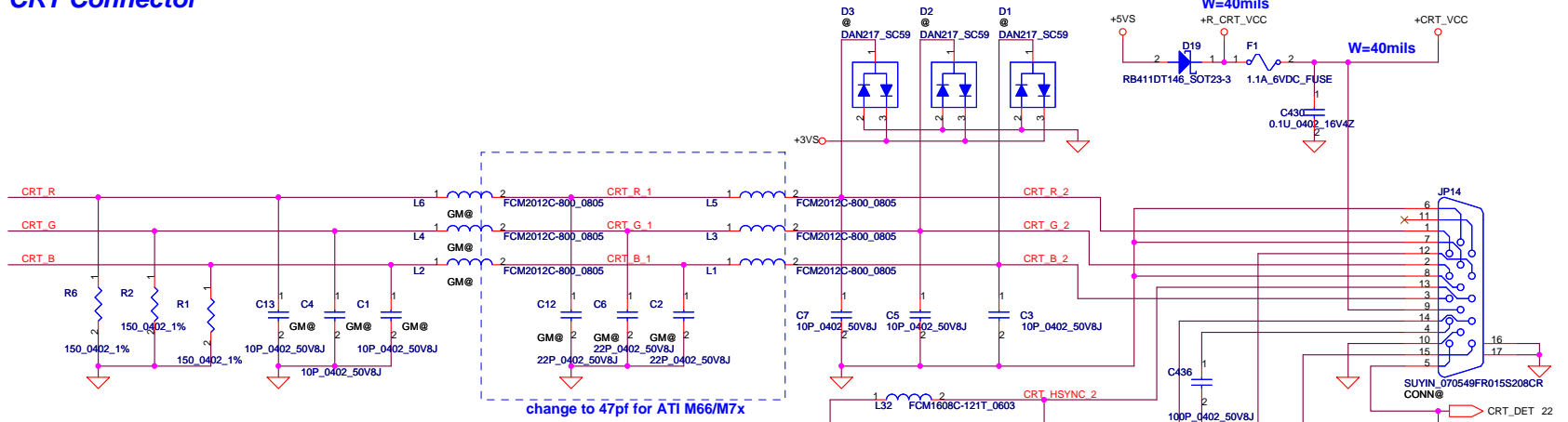


Security Classification	Compal Secret Data	
Issued Date	2006/12/25	Deciphered Date
		2007/12/25

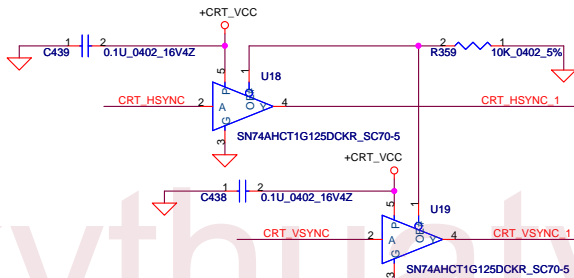
THIS SHEET OF ENGINEERING DRAWING IS THE PROPRIETARY PROPERTY OF COMPAL ELECTRONICS, INC. AND CONTAINS CONFIDENTIAL AND TRADE SECRET INFORMATION. THIS SHEET MAY NOT BE TRANSFERRED FROM THE CUSTODY OF THE COMPETENT DIVISION OF R&D DEPARTMENT EXCEPT AS AUTHORIZED BY COMPAL ELECTRONICS, INC. NEITHER THIS SHEET NOR THE INFORMATION IT CONTAINS MAY BE USED BY OR DISCLOSED TO ANY THIRD PARTY WITHOUT PRIOR WRITTEN CONSENT OF COMPAL ELECTRONICS, INC.

Compal Electronics, Inc.		
Title		
LVDS & DVI Connector		
Size	Document Number	Rev
B	ICL50/ICK70 M/B LA-3551P Schematic	
Date:	Thursday, August 23, 2007	Sheet 18 of 49

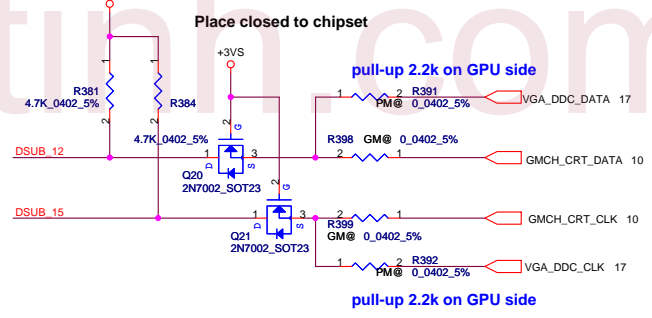
CRT Connector



- 10 GMCH_CRT_VSYNC
- 10 GMCH_CRT_HSYNC
- 10 GMCH_CRT_B
- 10 GMCH_CRT_G
- 10 GMCH_CRT_R
- 10 GMCH_TV_COMPS
- 10 GMCH_TV_LUMA
- 10 GMCH_TV_CRMA
- 17 VGA_CRT_VSYNC
- 17 VGA_CRT_HSYNC
- 17 VGA_CRT_B
- 17 VGA_CRT_G
- 17 VGA_CRT_R
- 17 VGA_TV_COMPS
- 17 VGA_TV_LUMA
- 17 VGA_TV_CRMA



TV-OUT Conn.



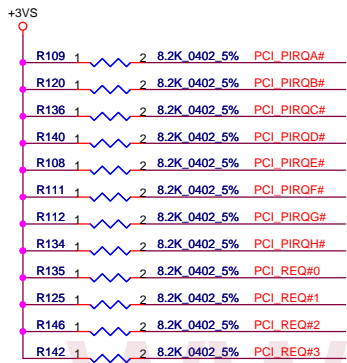
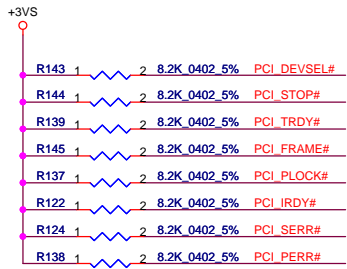
Place closed to chipset

Place closed to chipset

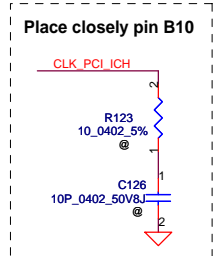
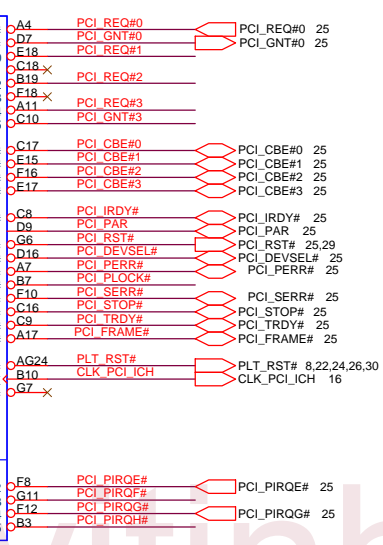
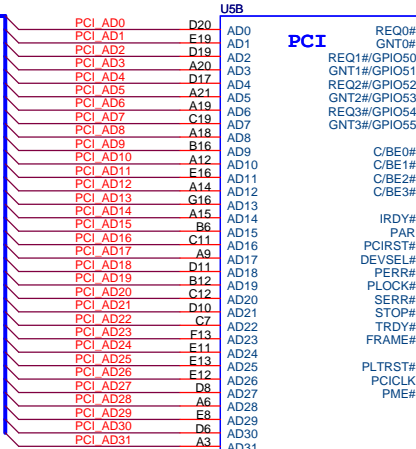
pull-up 2.2k on GPU side

pull-up 2.2k on GPU side

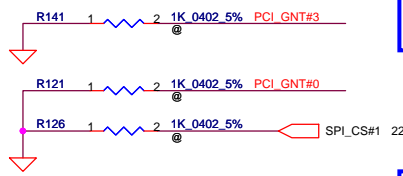
Security Classification		Compal Secret Data		Compal Electronics, Inc.	
Issued Date	2006/12/25	Deciphered Date	2007/12/25	Title	
THIS SHEET OF ENGINEERING DRAWING IS THE PROPRIETARY PROPERTY OF COMPAL ELECTRONICS, INC. AND CONTAINS CONFIDENTIAL AND TRADE SECRET INFORMATION. THIS SHEET MAY NOT BE TRANSFERRED FROM THE CUSTODY OF THE COMPETENT DIVISION OF R&D DEPARTMENT EXCEPT AS AUTHORIZED BY COMPAL ELECTRONICS, INC. NEITHER THIS SHEET NOR THE INFORMATION IT CONTAINS MAY BE USED BY OR DISCLOSED TO ANY THIRD PARTY WITHOUT PRIOR WRITTEN CONSENT OF COMPAL ELECTRONICS, INC.				CRT & TV-OUT Connector	
Size	Document Number	Date:		Rev	
B	ICL50/ICK70 M/B LA-3551P Schematié	Wednesday, August 15, 2007		19 of 49	



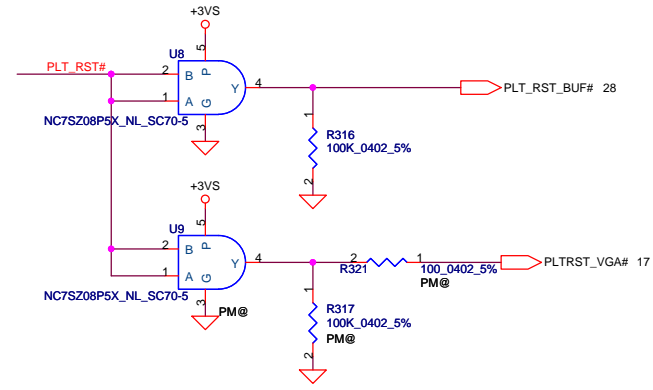
25 PCI_AD[0..31]

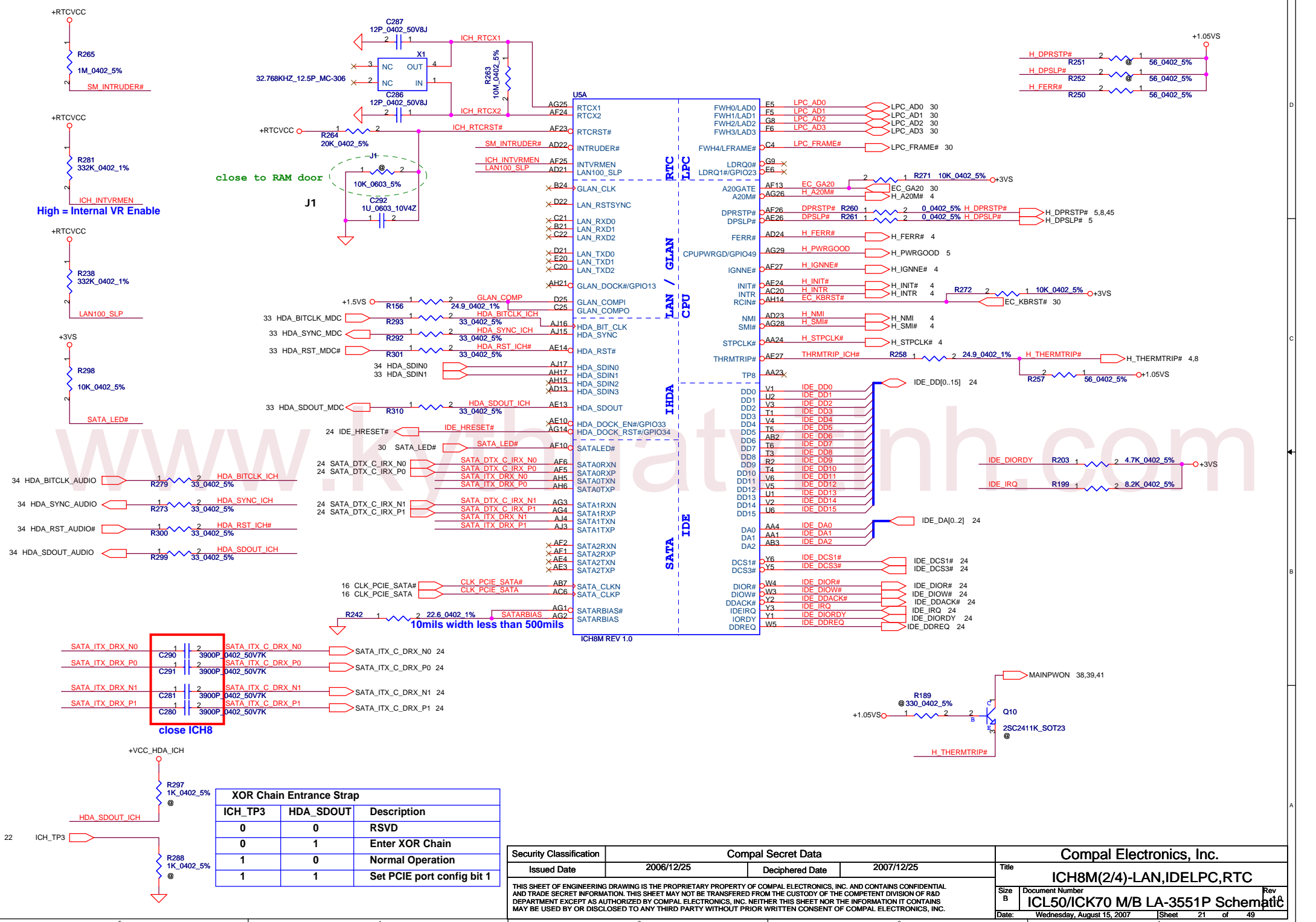


A16 Swap Override Strap
 PCI_GNT#3 Low= A16 swap override Enable
 High= Default*



Boot BIOS Strap		
PCI_GNT#0	SPI_CS#1	Boot BIOS Location
0	1	SPI
1	0	PCI
1	1	LPC*



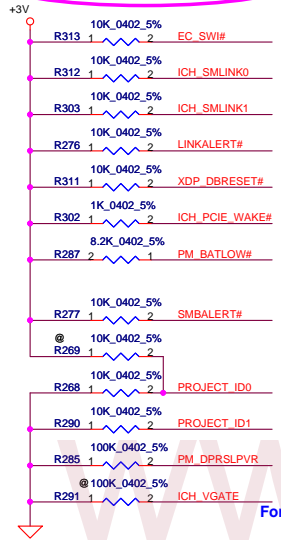
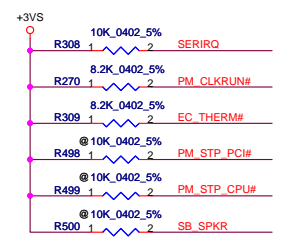


close to RAM door

close ICH8

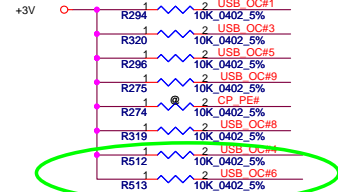
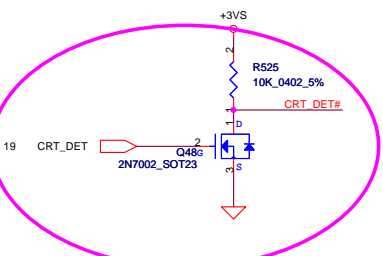
XOR Chain Entrance Strap		
ICH_TP3	HDA_SDOUT	Description
0	0	RSVD
0	1	Enter XOR Chain
1	0	Normal Operation
1	1	Set PCIE port config bit 1

Security Classification		Compal Secret Data		Title	
Issued Date	2006/12/25	Deciphered Date	2007/12/25	Compal Electronics, Inc.	
THIS SHEET OF ENGINEERING DRAWING IS THE PROPRIETARY PROPERTY OF COMPAL ELECTRONICS, INC. AND CONTAINS CONFIDENTIAL AND TRADE SECRET INFORMATION. THIS SHEET MAY NOT BE TRANSFERRED FROM THE CUSTODY OF THE COMPETENT DIVISION OF R&D DEPARTMENT EXCEPT AS AUTHORIZED BY COMPAL ELECTRONICS, INC. NEITHER THIS SHEET NOR THE INFORMATION IT CONTAINS MAY BE USED BY OR DISCLOSED TO ANY THIRD PARTY WITHOUT PRIOR WRITTEN CONSENT OF COMPAL ELECTRONICS, INC.				ICL50/ICK70 M/B LA-3551P Schematic	
Date:	Wednesday, August 15, 2007	Sheet	21	of 49	

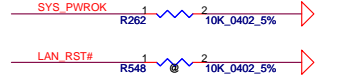
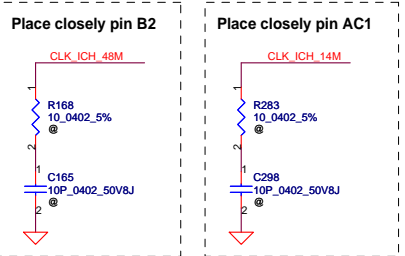
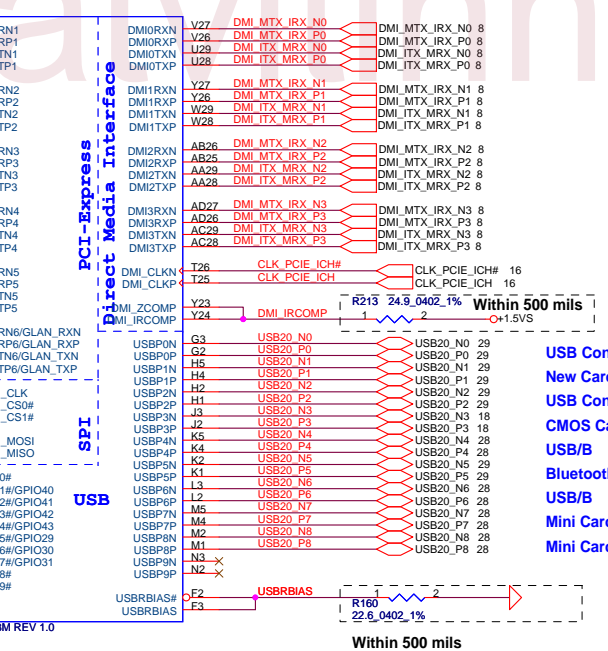
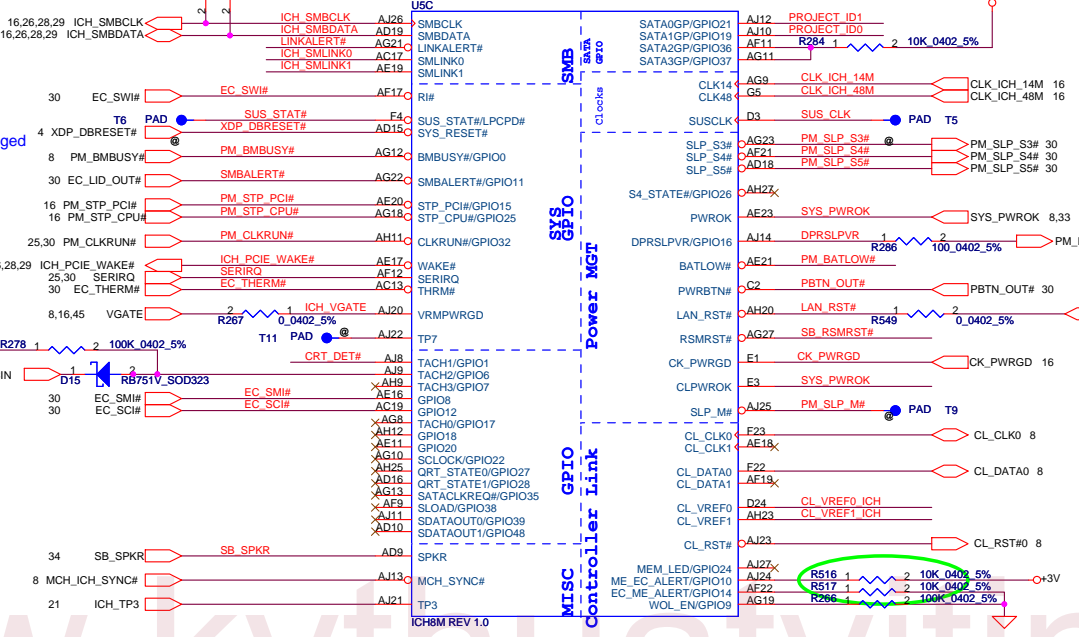


High: CRT Plugged

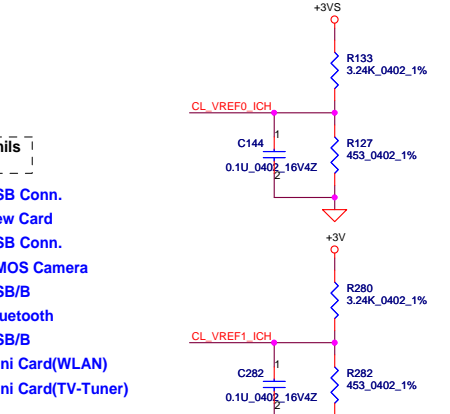
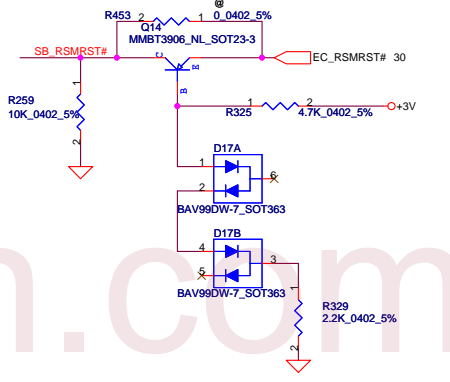
For Express Card
For TV-Tuner
For PCIE LAN
For Wireless LAN



SPI not used, Left NC



No used Integrated LAN, connecting to PLT_RST#

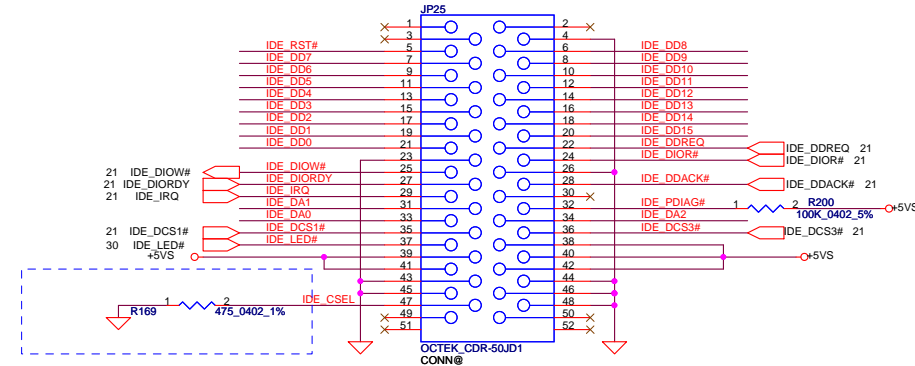
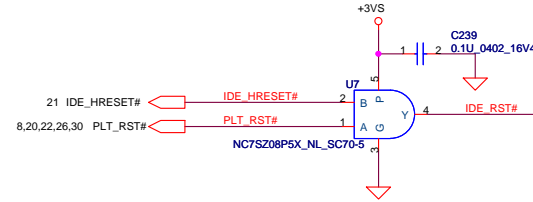
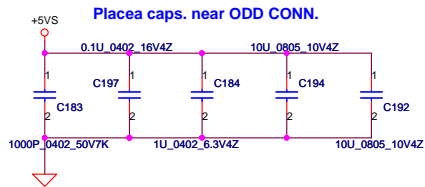


USB Conn.
New Card
USB Conn.
CMOS Camera
USB/B
Bluetooth
USB/B
Mini Card(WLAN)
Mini Card(TV-Tuner)

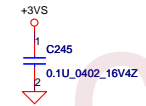
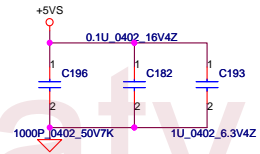
Security Classification	Compal Secret Data	
Issued Date	2006/12/25	Deciphered Date
		2007/12/25

THIS SHEET OF ENGINEERING DRAWING IS THE PROPRIETARY PROPERTY OF COMPAL ELECTRONICS, INC. AND CONTAINS CONFIDENTIAL AND TRADE SECRET INFORMATION. THIS SHEET MAY NOT BE TRANSFERRED FROM THE CUSTODY OF THE COMPETENT DIVISION OF R&D DEPARTMENT EXCEPT AS AUTHORIZED BY COMPAL ELECTRONICS, INC. NEITHER THIS SHEET NOR THE INFORMATION IT CONTAINS MAY BE USED BY OR DISCLOSED TO ANY THIRD PARTY WITHOUT PRIOR WRITTEN CONSENT OF COMPAL ELECTRONICS, INC.

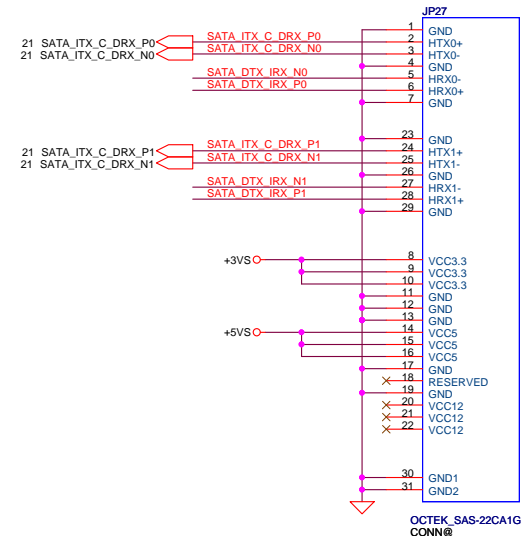
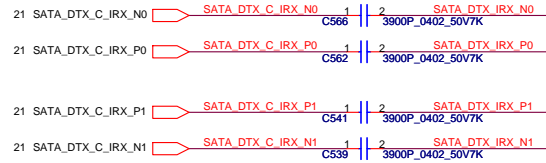
Compal Electronics, Inc.		
Title		
ICR8M(3/4)-USB,GPIO,PCIE		
Size	Document Number	Rev
Customer	ICL50/ICK70 M/B LA-3551P Schematic	
Date	Wednesday, August 15, 2007	Sheet 22 of 49



IDE_CSEL
 Grounding for Master (When use SATA HDD)
 Open or High for Slaver (Normal)



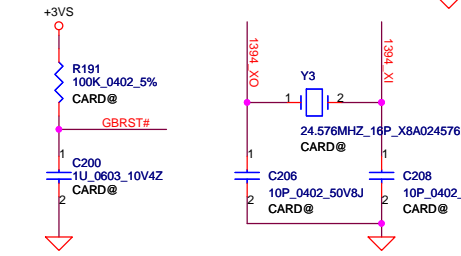
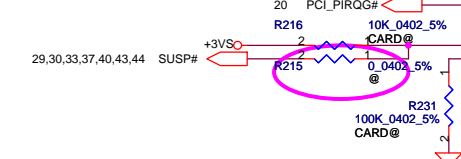
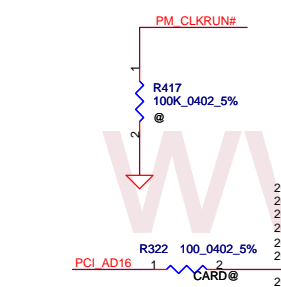
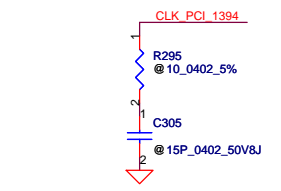
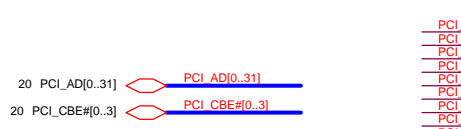
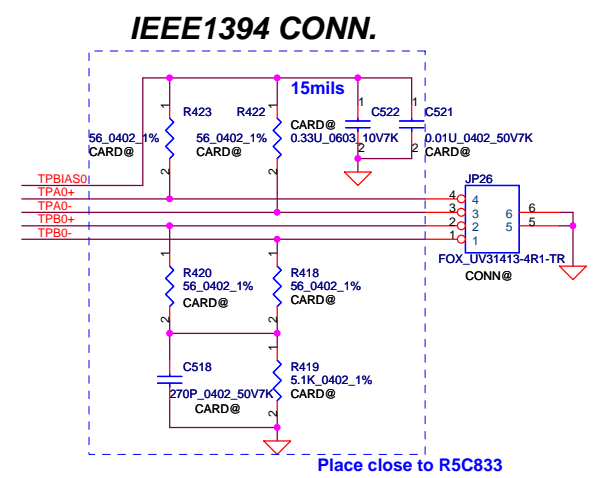
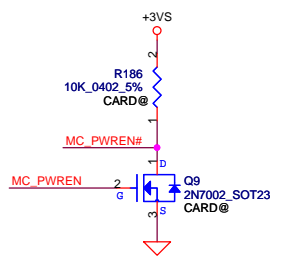
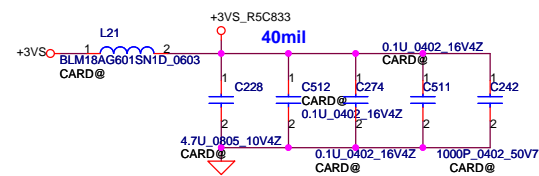
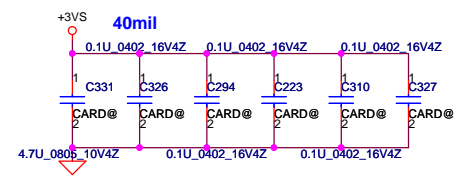
SATA HDD Conn.(SAS Connector)



First HDD for 15.4"

2nd HDD for 17"

Security Classification		Compal Secret Data		Title	
Issued Date	2006/12/25	Deciphered Date	2007/12/25	HDD & ODD Connector	
THIS SHEET OF ENGINEERING DRAWING IS THE PROPRIETARY PROPERTY OF COMPAL ELECTRONICS, INC. AND CONTAINS CONFIDENTIAL AND TRADE SECRET INFORMATION. THIS SHEET MAY NOT BE TRANSFERRED FROM THE CUSTODY OF THE COMPETENT DIVISION OF R&D DEPARTMENT EXCEPT AS AUTHORIZED BY COMPAL ELECTRONICS, INC. NEITHER THIS SHEET NOR THE INFORMATION IT CONTAINS MAY BE USED BY OR DISCLOSED TO ANY THIRD PARTY WITHOUT PRIOR WRITTEN CONSENT OF COMPAL ELECTRONICS, INC.				Size	Rev
				B	1
				ICL50/ICK70 M/B LA-3551P Schematié	
				Date:	Wednesday, August 15, 2007
				Sheet	24 of 49

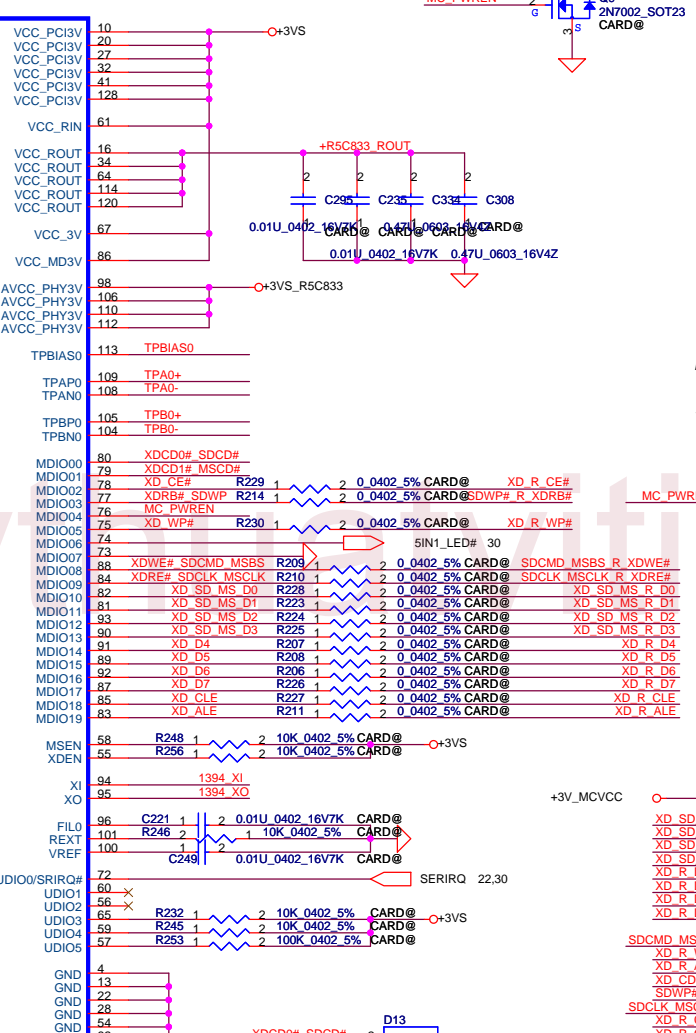


R5C833

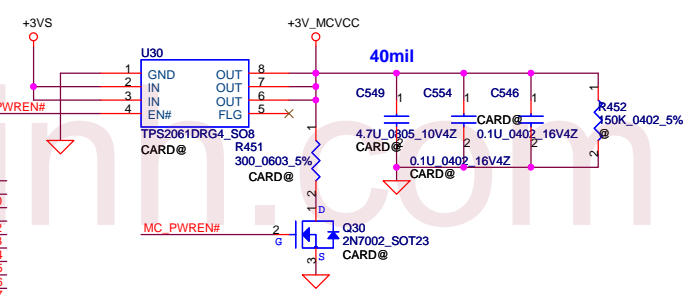
PCI AD31	125	AD31
PCI AD30	126	AD30
PCI AD29	127	AD29
PCI AD28	1	AD28
PCI AD27	2	AD27
PCI AD26	3	AD26
PCI AD25	4	AD25
PCI AD24	5	AD24
PCI AD23	6	AD23
PCI AD22	7	AD22
PCI AD21	8	AD21
PCI AD20	9	AD20
PCI AD19	10	AD19
PCI AD18	11	AD18
PCI AD17	12	AD17
PCI AD16	13	AD16
PCI AD15	14	AD15
PCI AD14	15	AD14
PCI AD13	16	AD13
PCI AD12	17	AD12
PCI AD11	18	AD11
PCI AD10	19	AD10
PCI AD9	20	AD9
PCI AD8	21	AD8
PCI AD7	22	AD7
PCI AD6	23	AD6
PCI AD5	24	AD5
PCI AD4	25	AD4
PCI AD3	26	AD3
PCI AD2	27	AD2
PCI AD1	28	AD1
PCI AD0	29	AD0

PCI CBE#3	7	C/BE#3
PCI CBE#2	21	C/BE#2
PCI CBE#1	35	C/BE#1
PCI CBE#0	45	C/BE#0

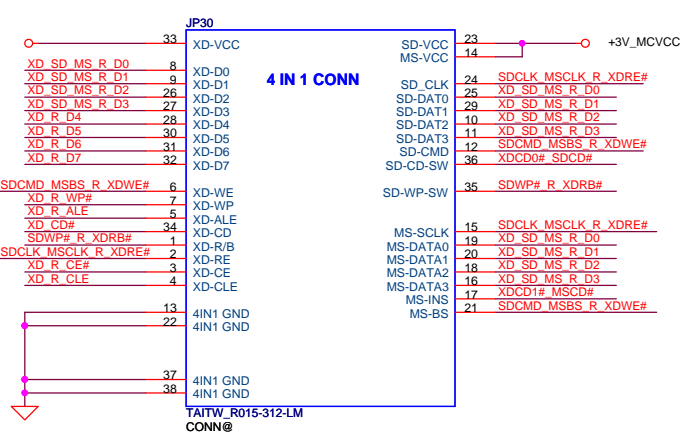
CLK_PCI_1394	121	PCICLK
PCI_RST#	119	PCIRST#
GBRST#	71	GBRST#
PM_CLKRUN#	117	CLKRUN#
PM_CLKRUN#	70	CLKRUN#
PCI_PIRQE#	115	INTA#
PCI_PIRQG#	116	INTB#
SUSP#	69	HWSPND#
SUSP#	66	TEST
AGND	111	AGND
AGND	107	AGND
AGND	103	AGND
AGND	102	AGND
AGND	99	AGND
RSV	97	RSV



Memory Card Power Switch

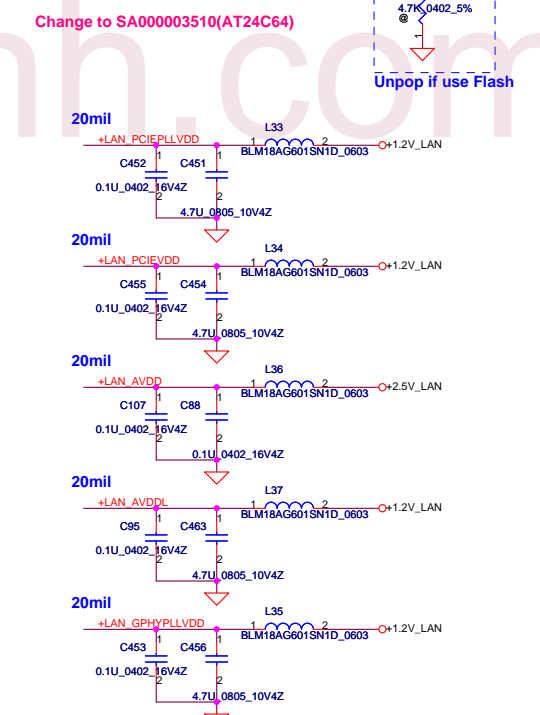
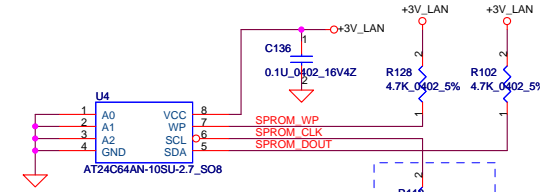
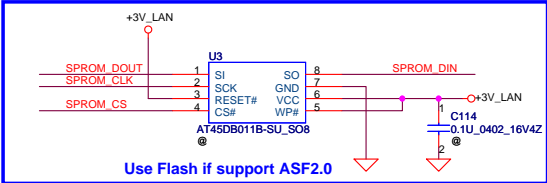
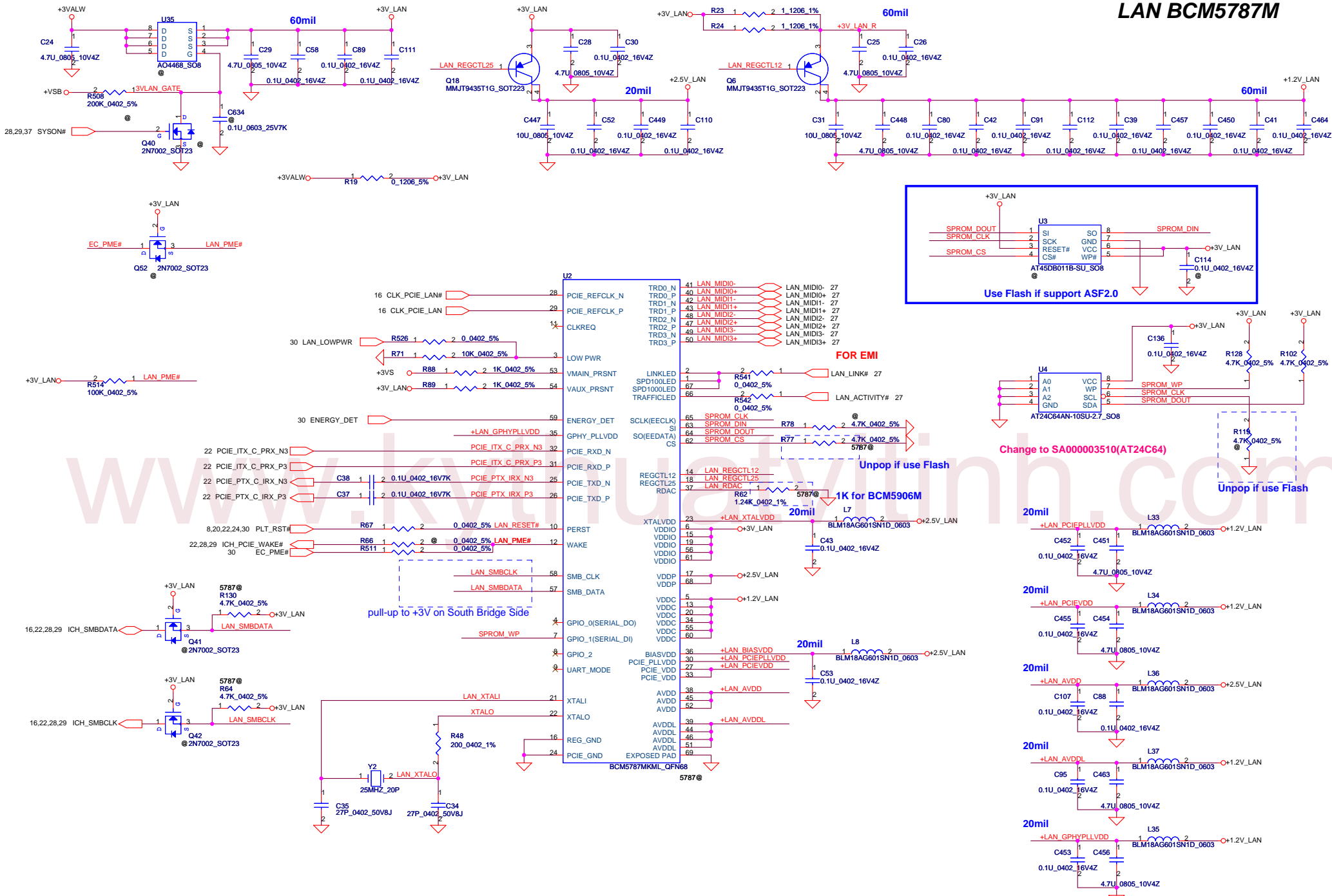


4 IN 1 Socket Push Type(New)



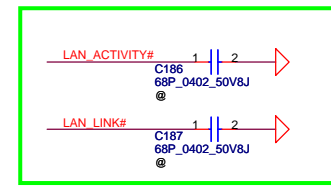
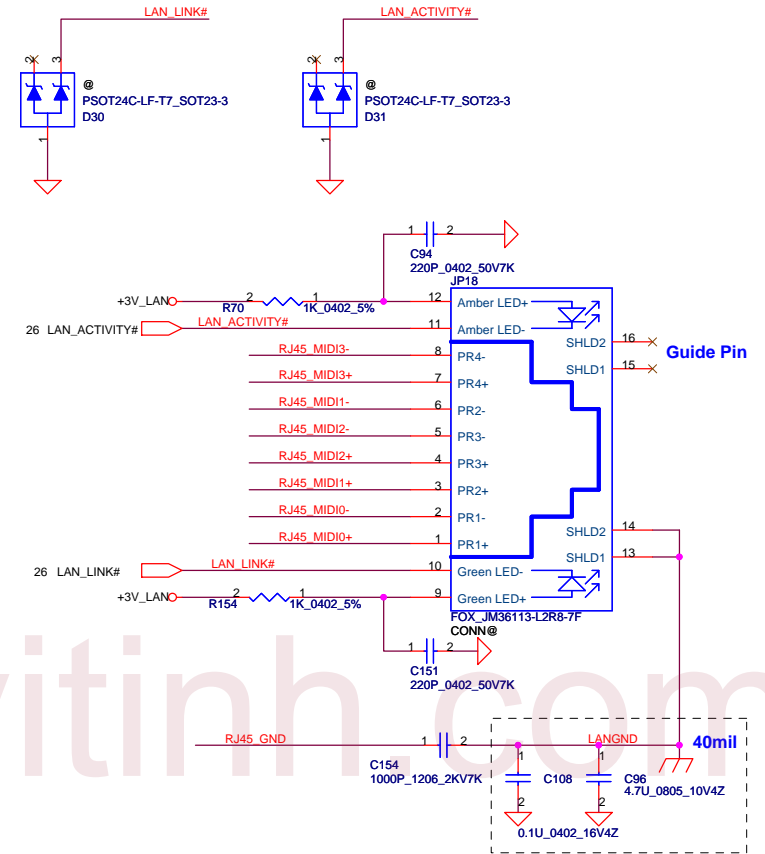
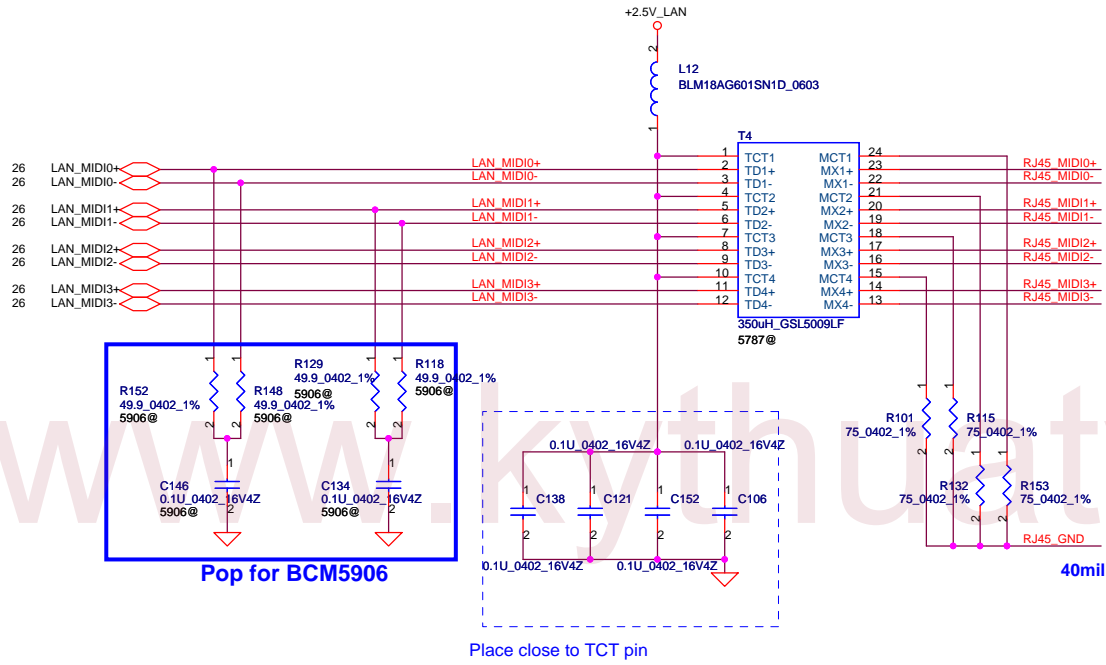
Security Classification		Compal Secret Data		Compal Electronics, Inc.	
Issued Date	2006/12/25	Deciphered Date	2007/12/25	Title	
THIS SHEET OF ENGINEERING DRAWING IS THE PROPRIETARY PROPERTY OF COMPAL ELECTRONICS, INC. AND CONTAINS CONFIDENTIAL AND TRADE SECRET INFORMATION. THIS SHEET MAY NOT BE TRANSFERRED FROM THE CUSTODY OF THE COMPETENT DIVISION OF R&D DEPARTMENT EXCEPT AS AUTHORIZED BY COMPAL ELECTRONICS, INC. NEITHER THIS SHEET NOR THE INFORMATION IT CONTAINS MAY BE USED BY OR DISCLOSED TO ANY THIRD PARTY WITHOUT PRIOR WRITTEN CONSENT OF COMPAL ELECTRONICS, INC.				R5C833 5IN1 & IEEE1394	
Size	Document Number	Date		Rev	
B	ICL50/ICK70 M/B LA-3551P Schematic	Wednesday, August 15, 2007		Sheet 25 of 49	

LAN BCM5787M



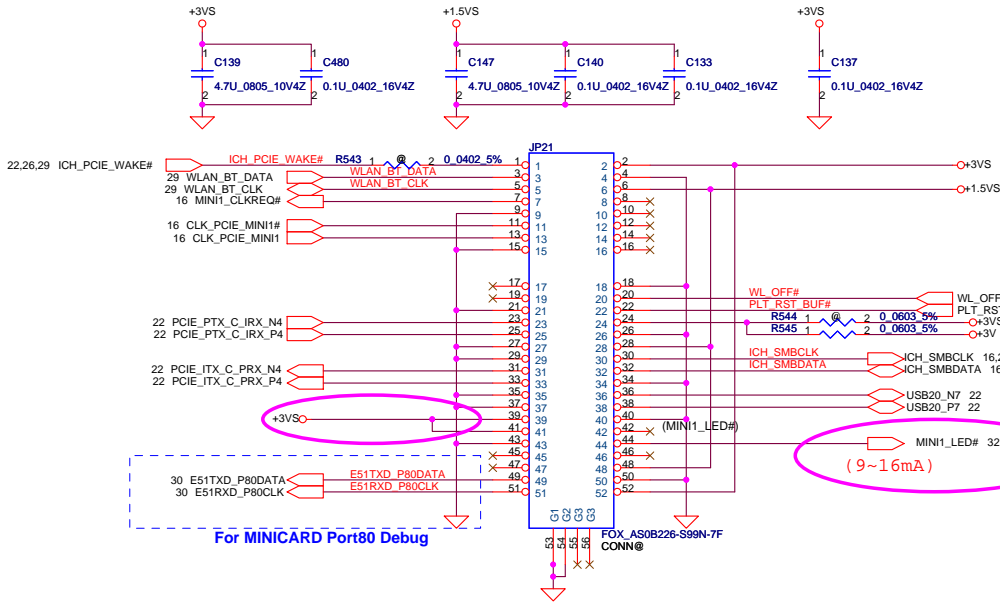
Security Classification	Compal Secret Data		Title	
Issued Date	2006/12/25	Deciphered Date	2007/12/25	LAN BCM5787M
THIS SHEET OF ENGINEERING DRAWING IS THE PROPRIETARY PROPERTY OF COMPAL ELECTRONICS, INC. AND CONTAINS CONFIDENTIAL AND TRADE SECRET INFORMATION. THIS SHEET MAY NOT BE TRANSFERRED FROM THE CUSTODY OF THE COMPETENT DIVISION OF R&D DEPARTMENT EXCEPT AS AUTHORIZED BY COMPAL ELECTRONICS, INC. NEITHER THIS SHEET NOR THE INFORMATION IT CONTAINS MAY BE USED BY OR DISCLOSED TO ANY THIRD PARTY WITHOUT PRIOR WRITTEN CONSENT OF COMPAL ELECTRONICS, INC.				
Size	Document Number	Date:		Rev
B	ICL50/ICK70 M/B LA-3551P Schematic	Wednesday, August 15, 2007		26 of 49

LAN BCM5787M

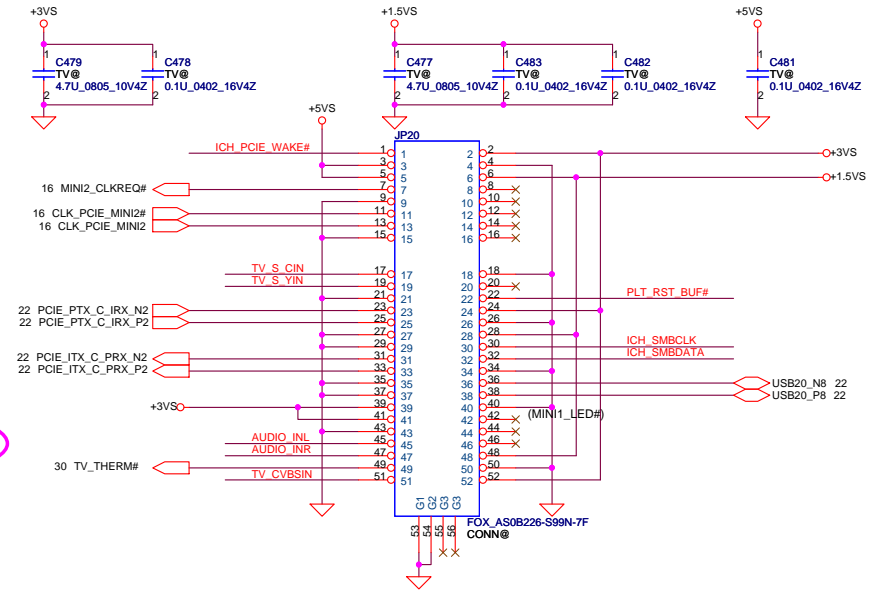


Security Classification		Compal Secret Data		Compal Electronics, Inc.	
Issued Date	2006/12/25	Deciphered Date	2007/12/25	Title	
THIS SHEET OF ENGINEERING DRAWING IS THE PROPRIETARY PROPERTY OF COMPAL ELECTRONICS, INC. AND CONTAINS CONFIDENTIAL AND TRADE SECRET INFORMATION. THIS SHEET MAY NOT BE TRANSFERRED FROM THE CUSTODY OF THE COMPETENT DIVISION OF R&D DEPARTMENT EXCEPT AS AUTHORIZED BY COMPAL ELECTRONICS, INC. NEITHER THIS SHEET NOR THE INFORMATION IT CONTAINS MAY BE USED BY OR DISCLOSED TO ANY THIRD PARTY WITHOUT PRIOR WRITTEN CONSENT OF COMPAL ELECTRONICS, INC.				LAN Magnetic & RJ45/RJ11	
Size	Document Number	Date		Sheet	Rev
B	ICL50/ICK70 M/B LA-3551P Schematic	Wednesday, August 15, 2007		27	49

For Wireless LAN

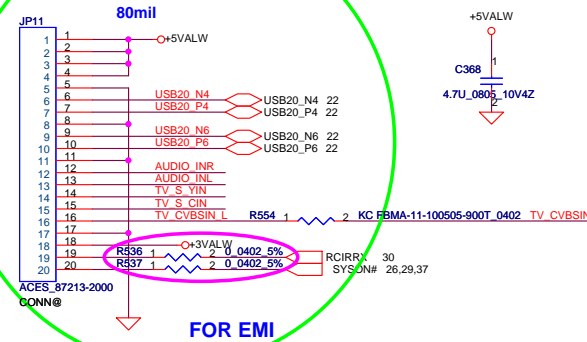


For TV-Tuner/HW MPEG

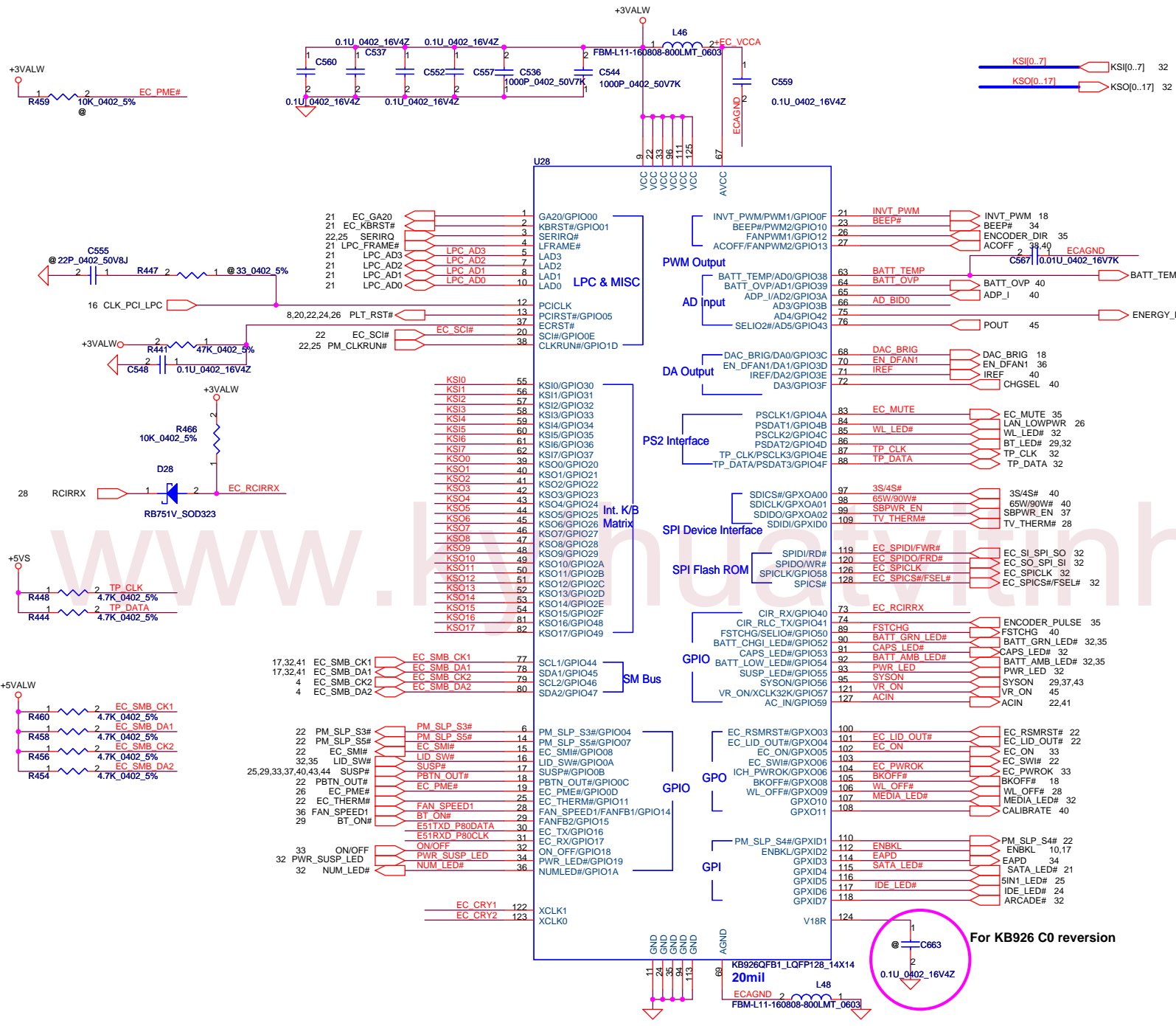


Mini Card Power Rating			
Power	Primary Power (mA)		Auxiliary Power (mA)
	Peak	Normal	Normal
+3VS	1000	750	
+3V	330	250	250 (wake enable)
+1.5VS	500	375	5 (Not wake enable)

To USB/B Connector



AV-IN Connector CIR



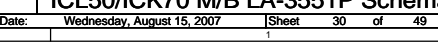
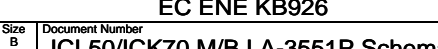
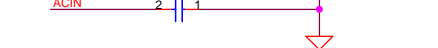
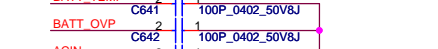
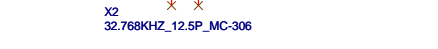
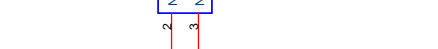
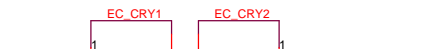
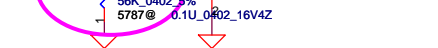
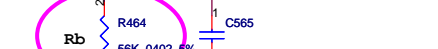
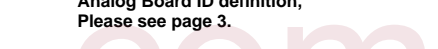
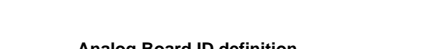
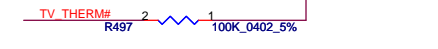
For EC Tools



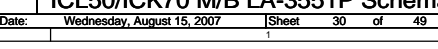
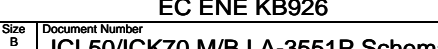
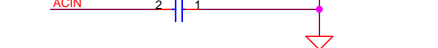
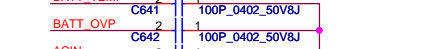
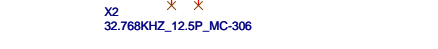
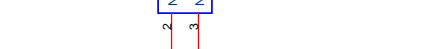
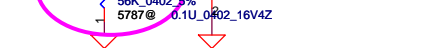
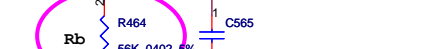
Place on RAM door



Place on MiniCard



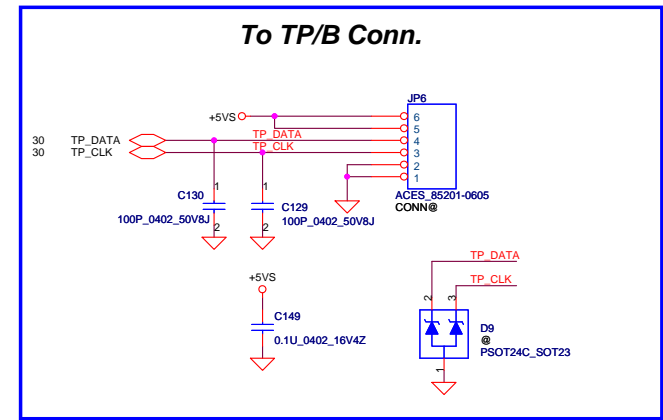
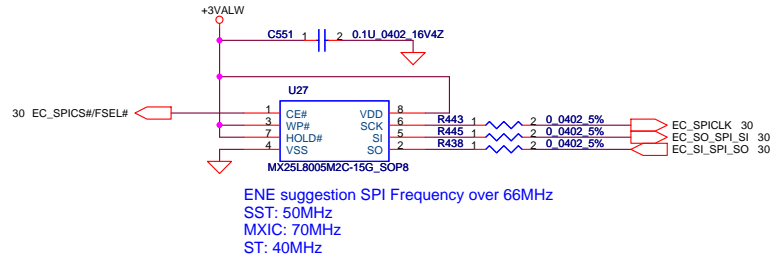
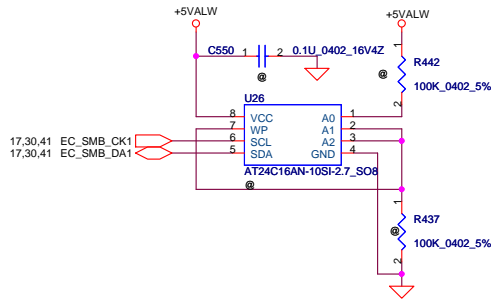
Analog Board ID definition, Please see page 3.



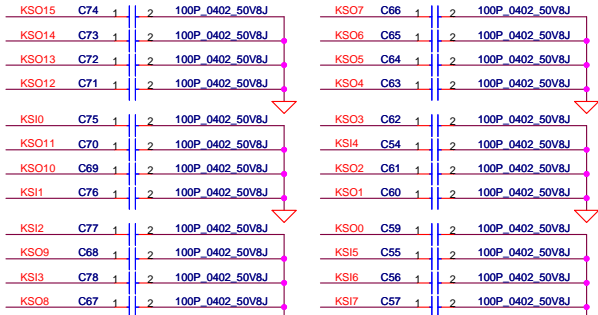
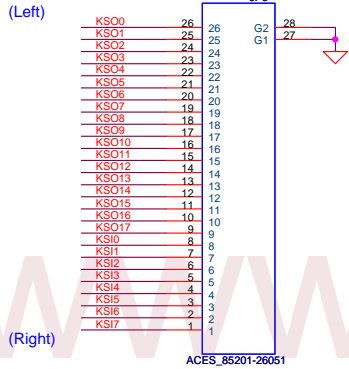
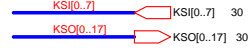
Security Classification		Compal Secret Data		Compal Electronics, Inc.	
Issued Date	2006/12/25	Deciphered Date	2007/12/25	Title	
THIS SHEET OF ENGINEERING DRAWING IS THE PROPRIETARY PROPERTY OF COMPAL ELECTRONICS, INC. AND CONTAINS CONFIDENTIAL AND TRADE SECRET INFORMATION. THIS SHEET MAY NOT BE TRANSFERRED FROM THE CUSTODY OF THE COMPETENT DIVISION OF R&D DEPARTMENT EXCEPT AS AUTHORIZED BY COMPAL ELECTRONICS, INC. NEITHER THIS SHEET NOR THE INFORMATION IT CONTAINS MAY BE USED BY OR DISCLOSED TO ANY THIRD PARTY WITHOUT PRIOR WRITTEN CONSENT OF COMPAL ELECTRONICS, INC.				EC ENE KB926	
Size	Document Number	Date		Rev	
B	ICL50/ICK70 M/B LA-3551P Schemati	Wednesday, August 15, 2007		Sheet 30 of 49	

www.kythuatvithinh.com

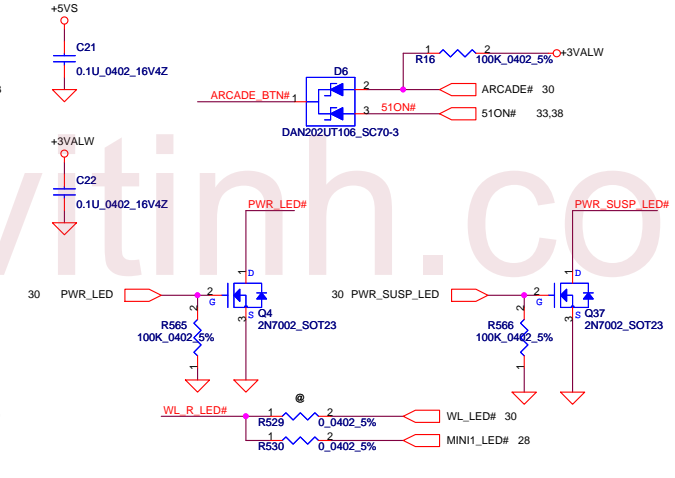
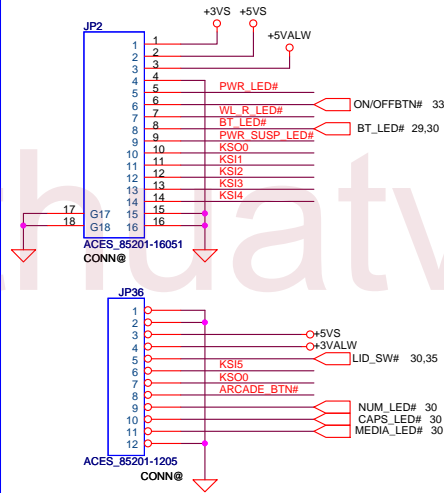
Security Classification		Compal Secret Data		Compal Electronics, Inc.		
Issued Date	2006/12/25	Deciphered Date	2007/12/25	Title		
THIS SHEET OF ENGINEERING DRAWING IS THE PROPRIETARY PROPERTY OF COMPAL ELECTRONICS, INC. AND CONTAINS CONFIDENTIAL AND TRADE SECRET INFORMATION. THIS SHEET MAY NOT BE TRANSFERRED FROM THE CUSTODY OF THE COMPETENT DIVISION OF R&D DEPARTMENT EXCEPT AS AUTHORIZED BY COMPAL ELECTRONICS, INC. NEITHER THIS SHEET NOR THE INFORMATION IT CONTAINS MAY BE USED BY OR DISCLOSED TO ANY THIRD PARTY WITHOUT PRIOR WRITTEN CONSENT OF COMPAL ELECTRONICS, INC.				EC ENE KB925(Reserved)		
				Size	Document Number	Rev
				B	ICL50/ICK70 M/B LA-3551P Schematic	4
				Date:	Wednesday, August 15, 2007	Sheet 31 of 49



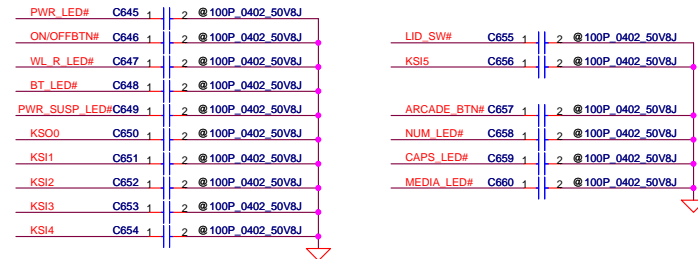
INT_KBD Conn.



To BTN/B Conn.

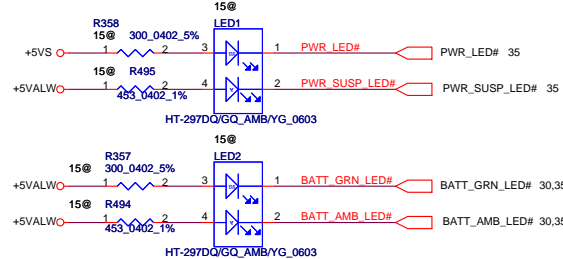


FOR EMI



	KSO0	(Acadia 960)
KSI1	WL_BTN#	WL_BTN#
KSI2	BT_BTN#	VOL_DOWN
KSI3	EMAIL_BTN#	VOL_UP
KSI4	IE_BTN#	N/A
KSI5	E-KEY_BTN#	E-KEY_BTN#

Compal Footprint

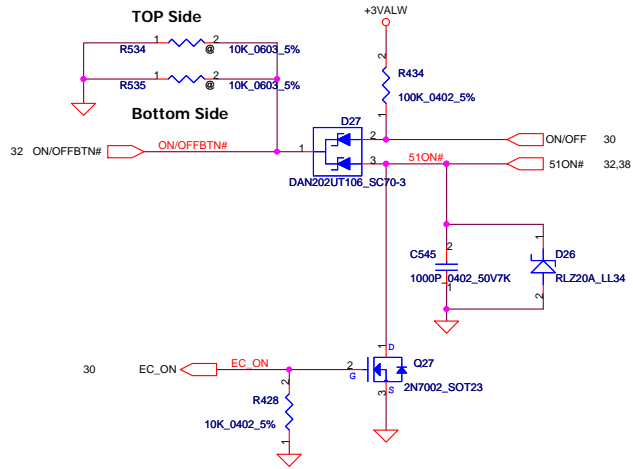


15" ONLY

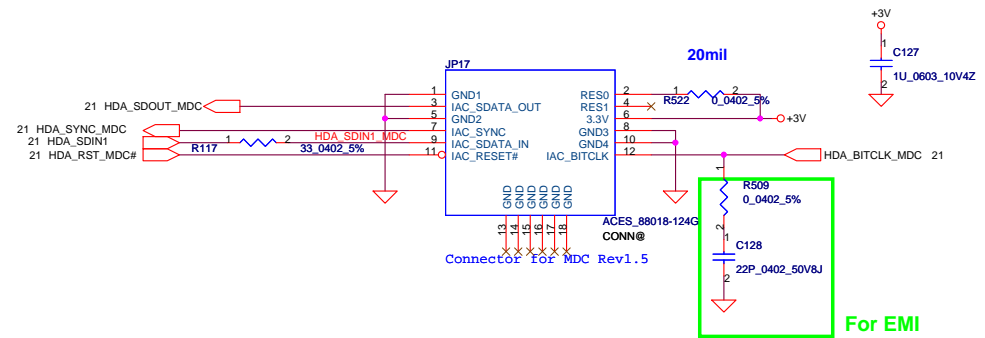
Security Classification		Compal Secret Data		Compal Electronics, Inc.	
Issued Date	2006/12/25	Deciphered Date	2007/12/25	Title	
THIS SHEET OF ENGINEERING DRAWING IS THE PROPRIETARY PROPERTY OF COMPAL ELECTRONICS, INC. AND CONTAINS CONFIDENTIAL AND TRADE SECRET INFORMATION. THIS SHEET MAY NOT BE TRANSFERRED FROM THE CUSTODY OF THE COMPETENT DIVISION OF R&D DEPARTMENT EXCEPT AS AUTHORIZED BY COMPAL ELECTRONICS, INC. NEITHER THIS SHEET NOR THE INFORMATION IT CONTAINS MAY BE USED BY OR DISCLOSED TO ANY THIRD PARTY WITHOUT PRIOR WRITTEN CONSENT OF COMPAL ELECTRONICS, INC.				BIOS, I/O Port & K/B Connector	
Size	Document Number	Date		Rev	Sheet
B	ICL50/ICK70 M/B LA-3551P Schematic	Monday, August 20, 2007		4	32 of 49

Power Button

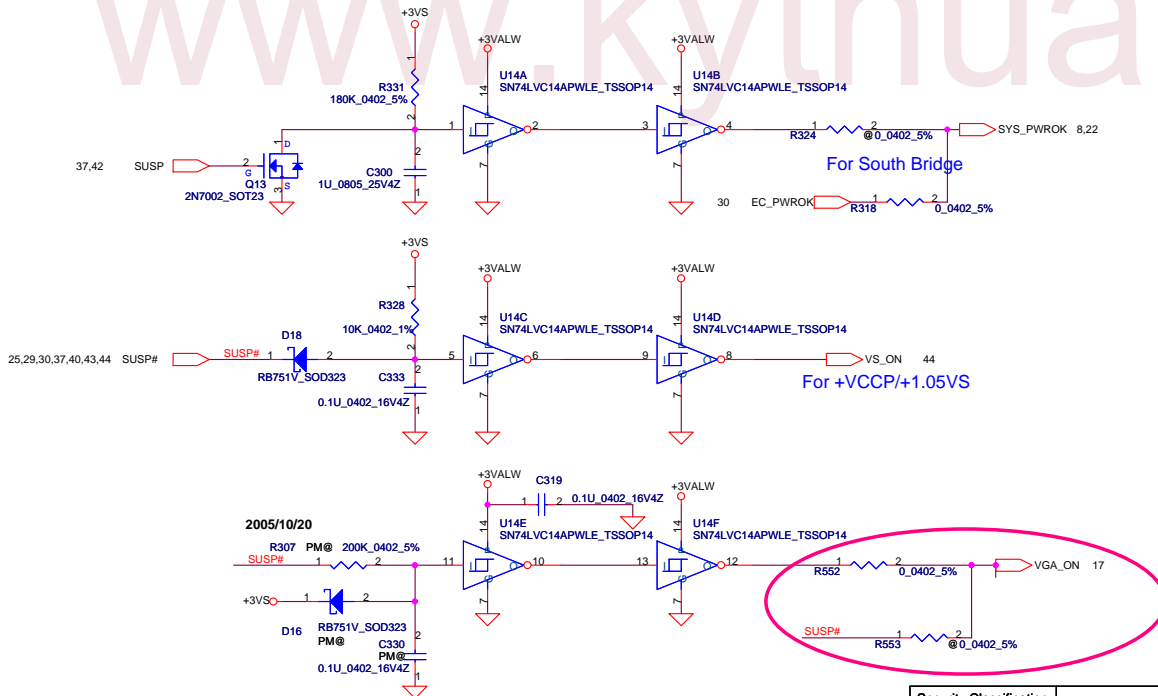
ON/OFF switch



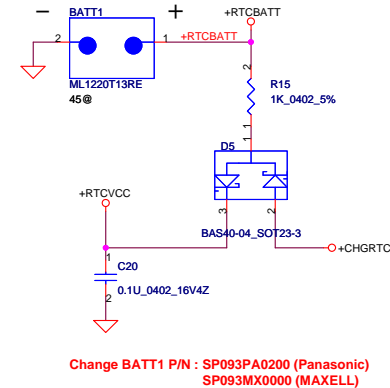
HDA MDC Conn.



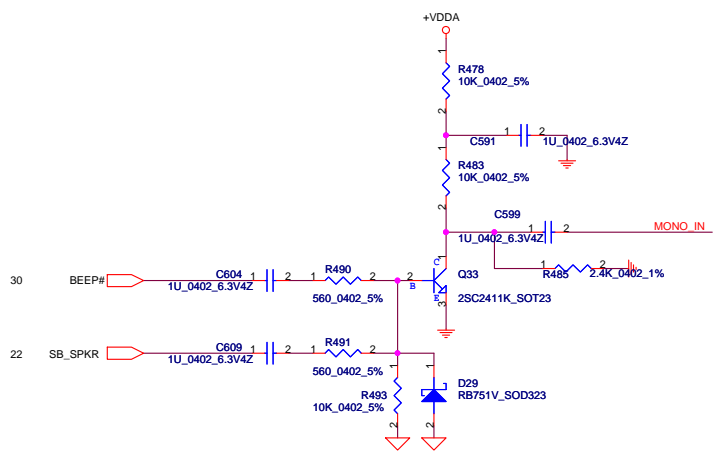
Power ON Circuit



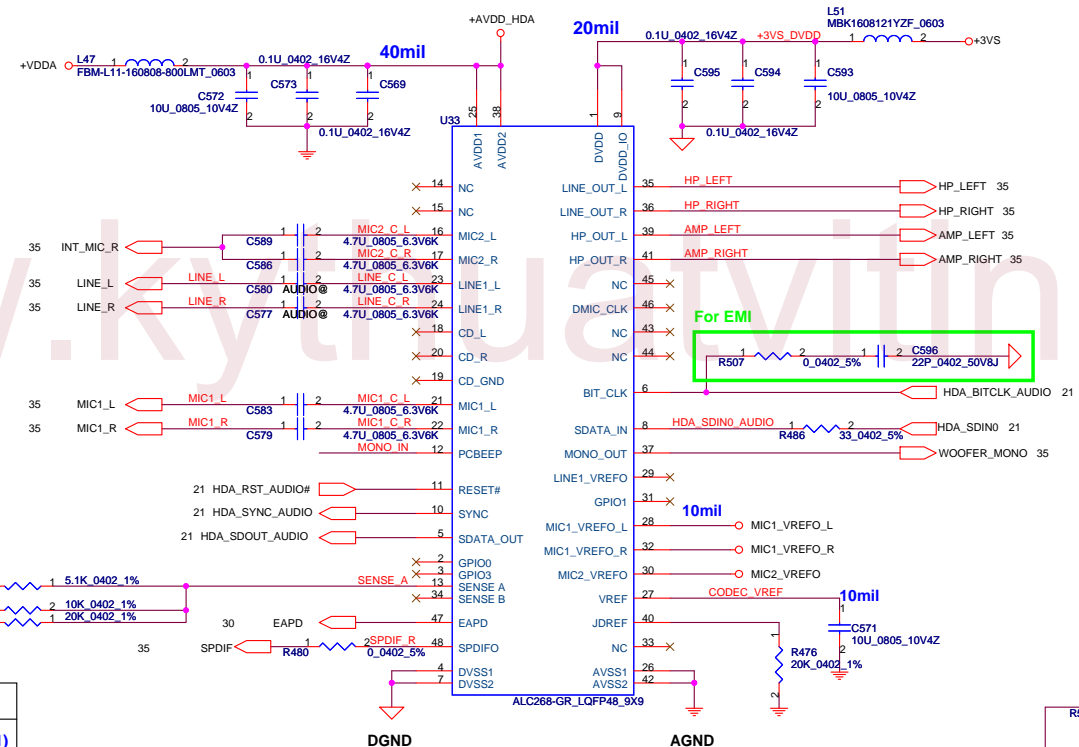
RTC Battery



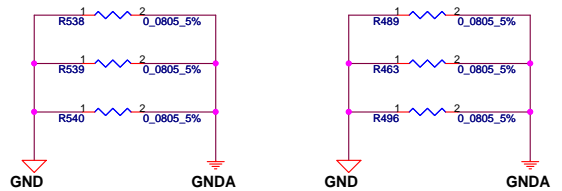
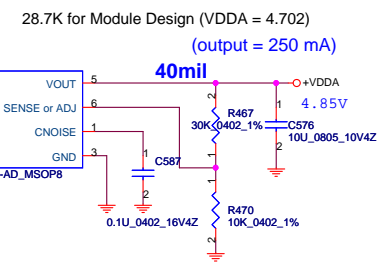
Security Classification		Compal Secret Data		Compal Electronics, Inc.	
Issued Date	2006/12/25	Deciphered Date	2007/12/25	Title	Power OK, Reset and RTC Circuit, TP
THIS SHEET OF ENGINEERING DRAWING IS THE PROPRIETARY PROPERTY OF COMPAL ELECTRONICS, INC. AND CONTAINS CONFIDENTIAL AND TRADE SECRET INFORMATION. THIS SHEET MAY NOT BE TRANSFERRED FROM THE CUSTODY OF THE COMPETENT DIVISION OF R&D DEPARTMENT EXCEPT AS AUTHORIZED BY COMPAL ELECTRONICS, INC. NEITHER THIS SHEET NOR THE INFORMATION IT CONTAINS MAY BE USED BY OR DISCLOSED TO ANY THIRD PARTY WITHOUT PRIOR WRITTEN CONSENT OF COMPAL ELECTRONICS, INC.				Size	Rev
				B	1
				ICL50/ICK70 M/B LA-3551P Schematic	
				Date:	Wednesday, August 15, 2007
				Sheet	33 of 49



HD Audio Codec



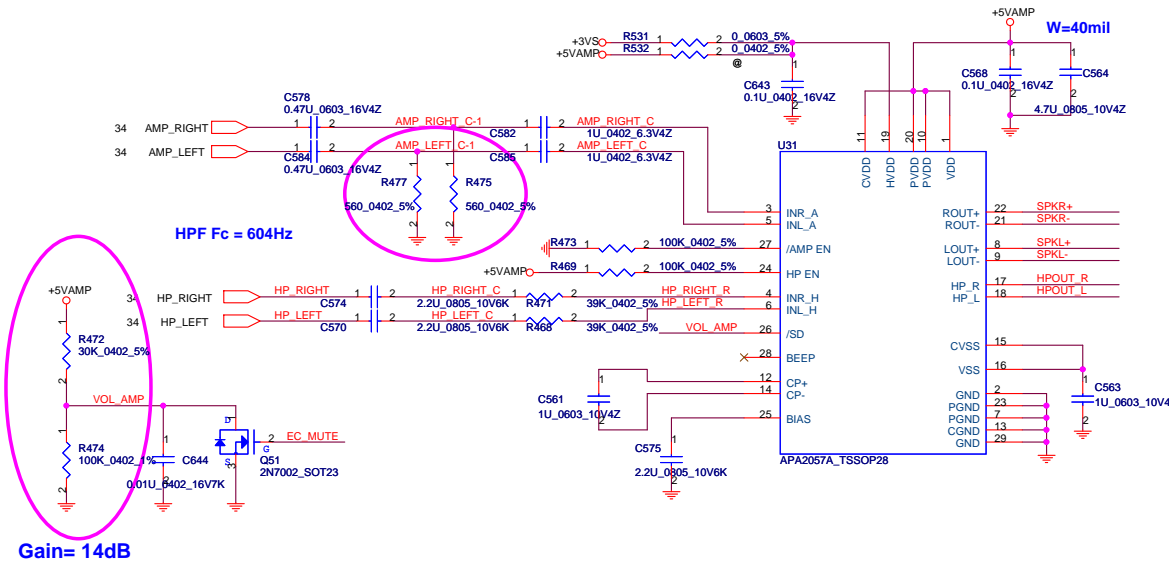
Sense Pin	Impedance	Codec Signals
SENSE A	39.2K	PORT-A (PIN 39, 41)
	20K	PORT-B (PIN 21, 22)
	10K	PORT-C (PIN 23, 24)
	5.1K	PORT-D (PIN 35, 36)
SENSE B	39.2K	PORT-E (PIN 14, 15)
	20K	PORT-F (PIN 16, 17)
	10K	PORT-G (PIN 43, 44)
	5.1K	PORT-H (PIN 45, 46)



Security Classification	Compal Secret Data	
Issued Date	2006/12/25	Deciphered Date
		2007/12/25

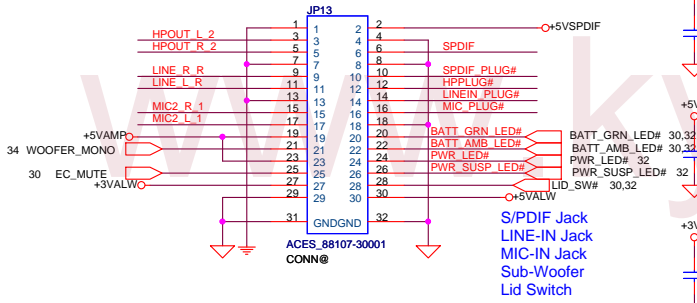
Compal Electronics, Inc.		
Title		
HD Audio Codec ALC268		
Size	Document Number	Rev
B	ICL50/ICK70 M/B LA-3551P Schemati	6
Date:	Wednesday, August 15, 2007	Sheet 34 of 49

THIS SHEET OF ENGINEERING DRAWING IS THE PROPRIETARY PROPERTY OF COMPAL ELECTRONICS, INC. AND CONTAINS CONFIDENTIAL AND TRADE SECRET INFORMATION. THIS SHEET MAY NOT BE TRANSFERRED FROM THE CUSTODY OF THE COMPETENT DIVISION OF R&D DEPARTMENT EXCEPT AS AUTHORIZED BY COMPAL ELECTRONICS, INC. NEITHER THIS SHEET NOR THE INFORMATION IT CONTAINS MAY BE USED BY OR DISCLOSED TO ANY THIRD PARTY WITHOUT PRIOR WRITTEN CONSENT OF COMPAL ELECTRONICS, INC.

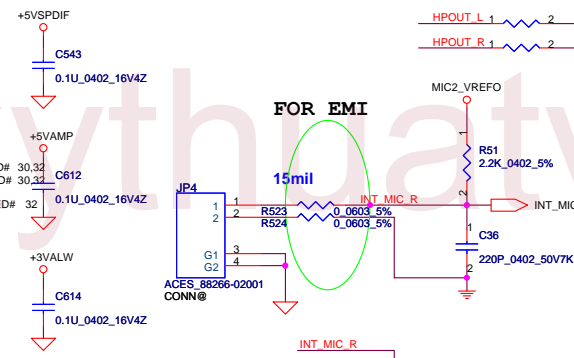


Gain= 14dB

To AUDIO/B Connector
17" ONLY

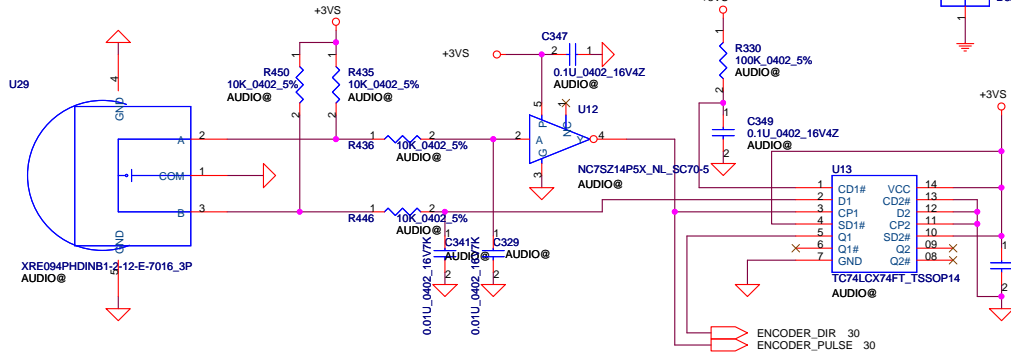


Int MIC Conn.

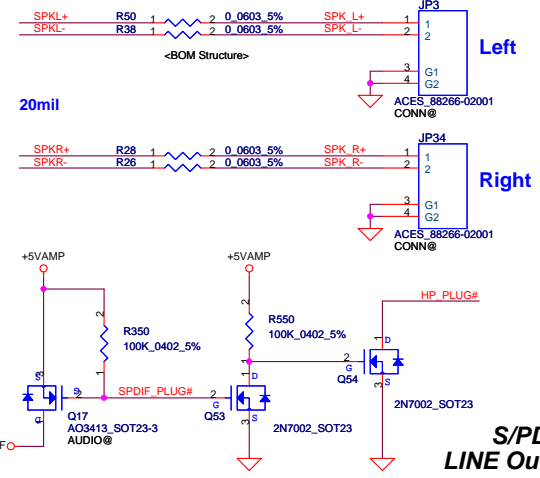


FOR EMI
15mil

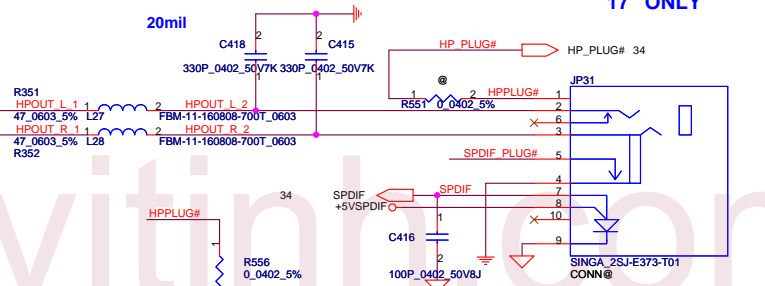
Volume Control Circuit



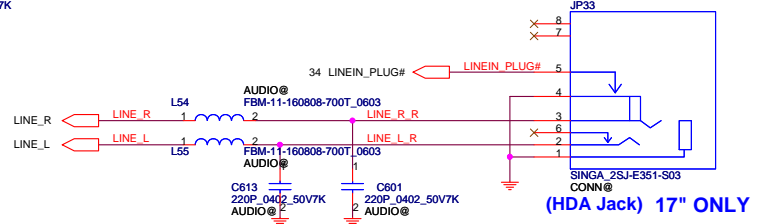
Int. Speaker Conn.



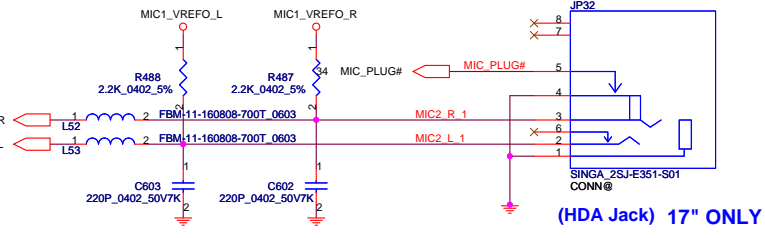
S/PDIF Out JACK
LINE Out/Headphone Out
17" ONLY



LINE-IN JACK

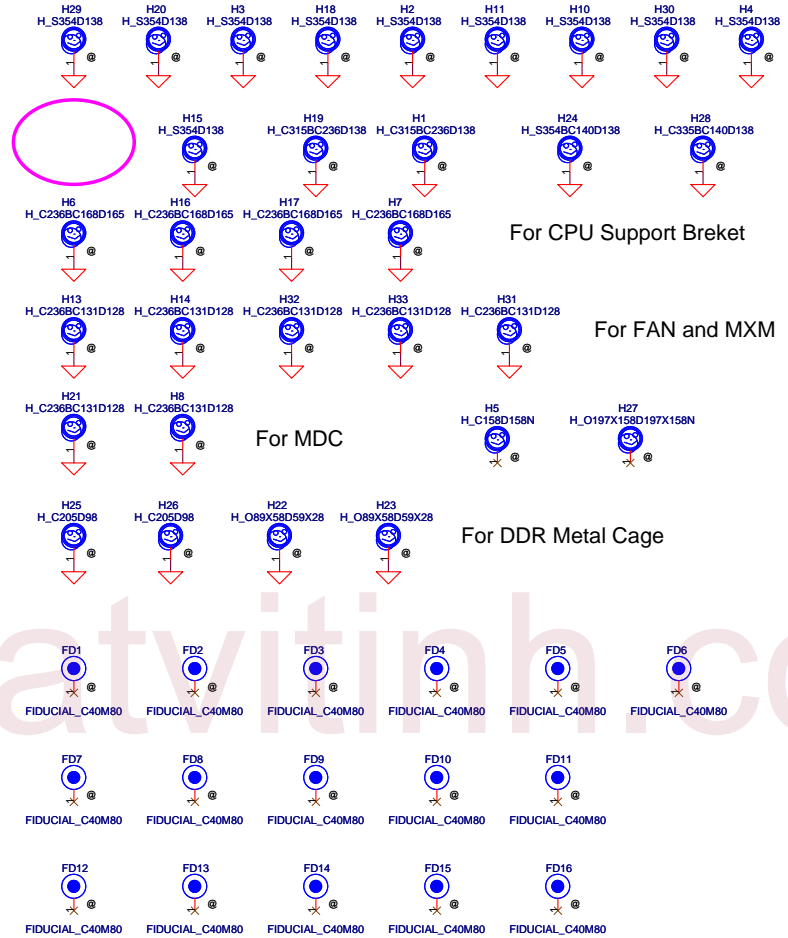
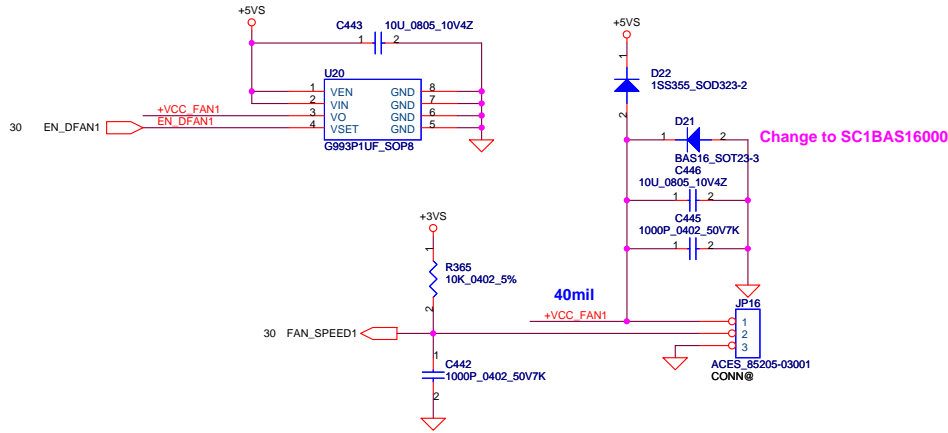


MIC JACK



Security Classification		Compal Secret Data		Title		
Issued Date	2006/12/25	Deciphered Date	2007/12/25	Amplifier & Audio Jack		
THIS SHEET OF ENGINEERING DRAWING IS THE PROPRIETARY PROPERTY OF COMPAL ELECTRONICS, INC. AND CONTAINS CONFIDENTIAL AND TRADE SECRET INFORMATION. THIS SHEET MAY NOT BE TRANSFERRED FROM THE CUSTODY OF THE COMPETENT DIVISION OF R&D DEPARTMENT EXCEPT AS AUTHORIZED BY COMPAL ELECTRONICS, INC. NEITHER THIS SHEET NOR THE INFORMATION IT CONTAINS MAY BE USED BY OR DISCLOSED TO ANY THIRD PARTY WITHOUT PRIOR WRITTEN CONSENT OF COMPAL ELECTRONICS, INC.				Size B	Document Number	Rev
				ICL50/ICK70 M/B LA-3551P Schematic		
				Date: Wednesday, August 15, 2007	Sheet	35 of 49

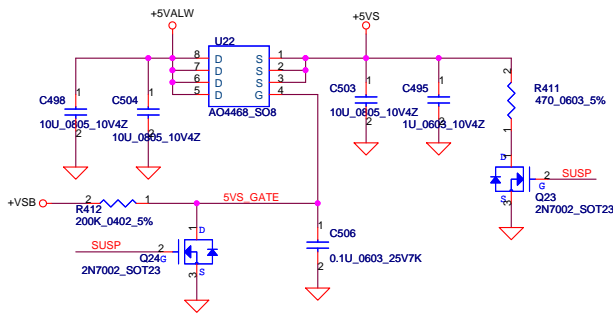
FAN1 Conn



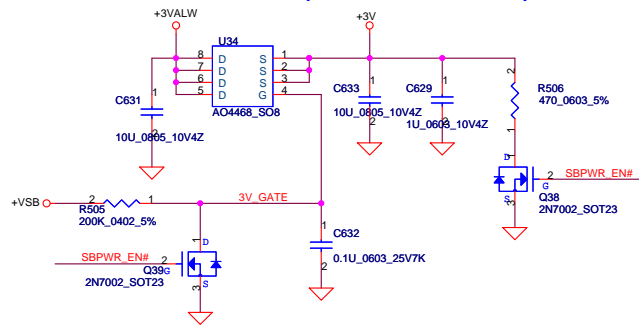
www.kythuativitinh.com

Security Classification	Compal Secret Data		Compal Electronics, Inc.	
Issued Date	2006/12/25	Deciphered Date	2007/12/25	Title
THIS SHEET OF ENGINEERING DRAWING IS THE PROPRIETARY PROPERTY OF COMPAL ELECTRONICS, INC. AND CONTAINS CONFIDENTIAL AND TRADE SECRET INFORMATION. THIS SHEET MAY NOT BE TRANSFERRED FROM THE CUSTODY OF THE COMPETENT DIVISION OF R&D DEPARTMENT EXCEPT AS AUTHORIZED BY COMPAL ELECTRONICS, INC. NEITHER THIS SHEET NOR THE INFORMATION IT CONTAINS MAY BE USED BY OR DISCLOSED TO ANY THIRD PARTY WITHOUT PRIOR WRITTEN CONSENT OF COMPAL ELECTRONICS, INC.				FAN & Screw Hole
Size	Document Number	Rev		
B	ICL50/ICK70 M/B LA-3551P Schematic			
Date:	Wednesday, August 15, 2007	Sheet	36	of 49

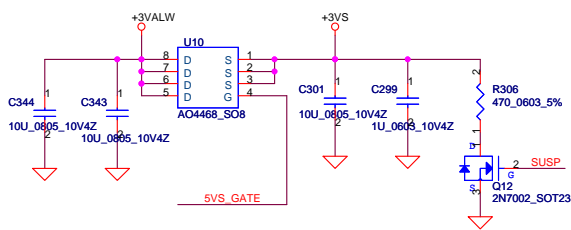
+5VALW TO +5VS



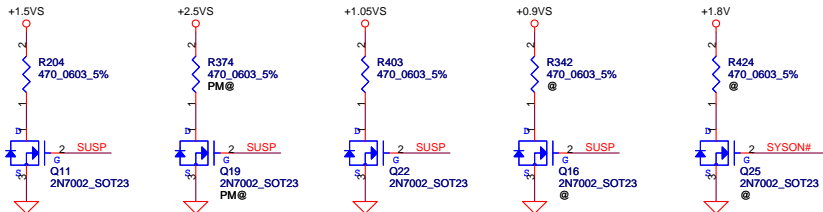
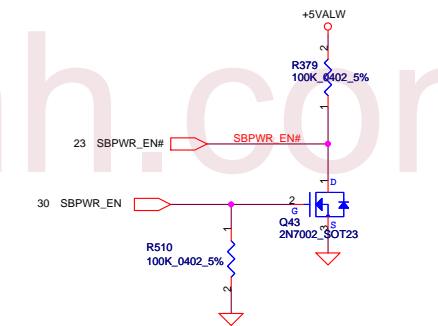
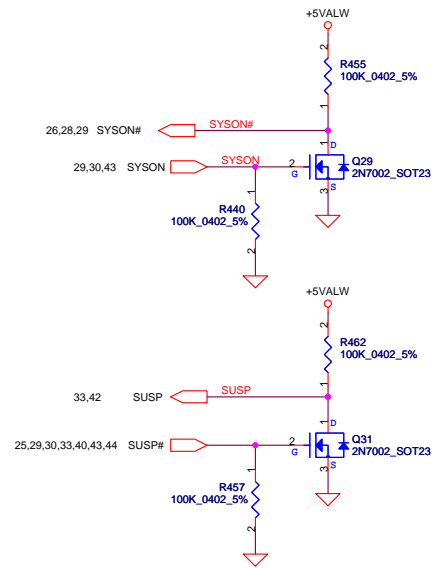
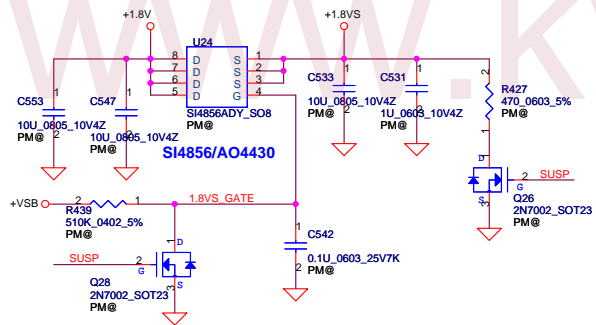
+3VALW TO +3V_SB(ICH8M AUX Power)



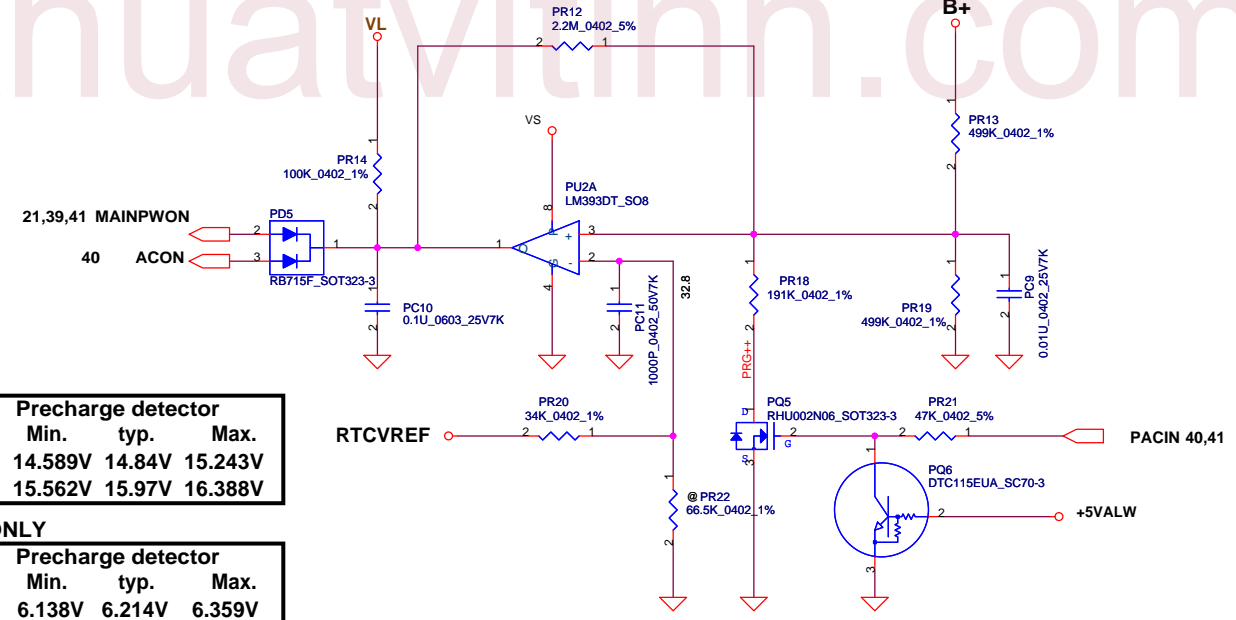
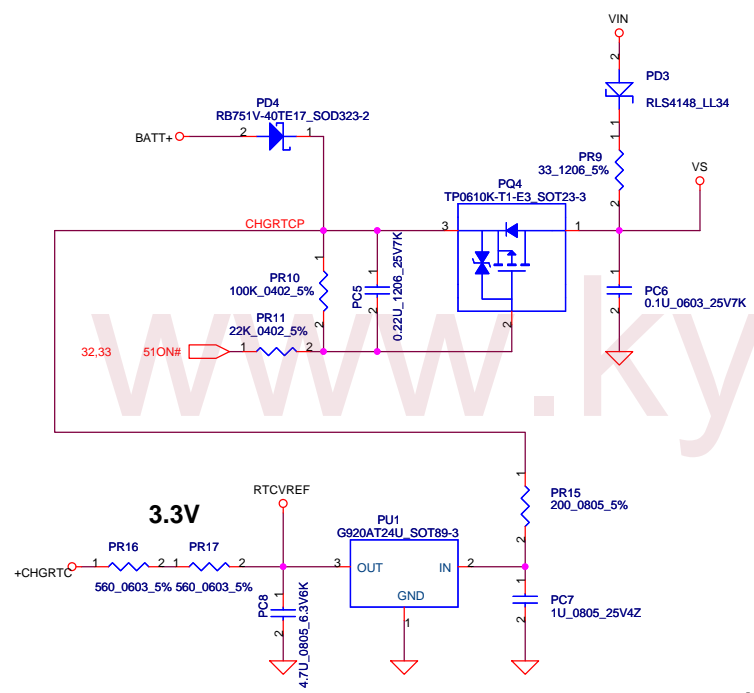
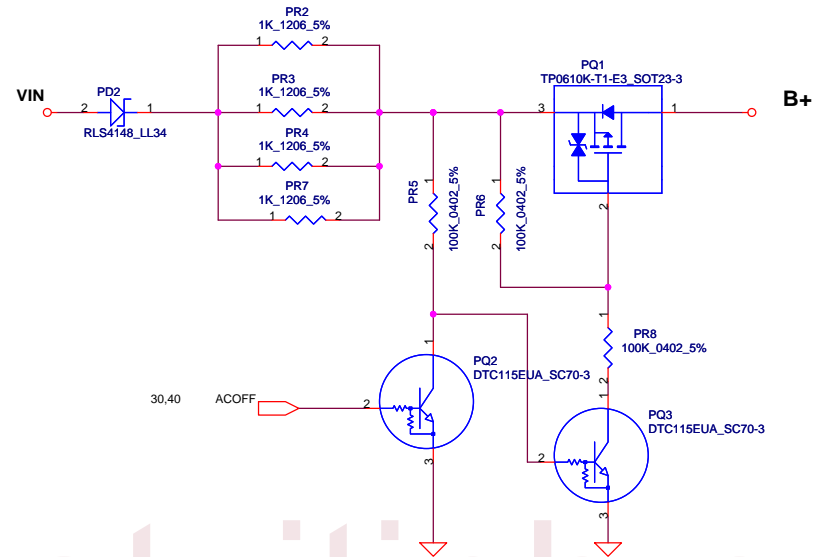
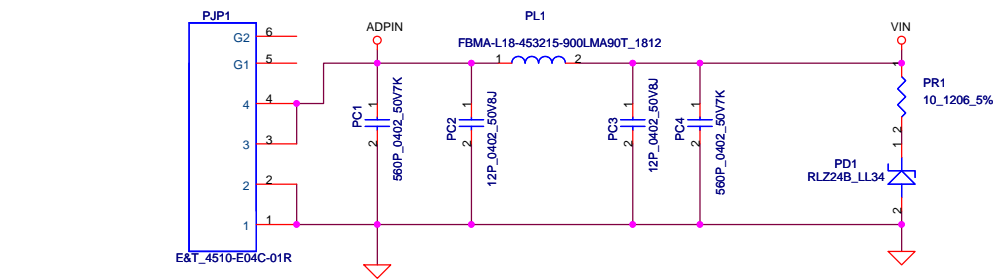
+3VALW TO +3VS



+1.8V to +1.8VS



Security Classification		Compal Secret Data		Compal Electronics, Inc.	
Issued Date	2006/12/25	Deciphered Date	2007/12/25	Title	
				DC Interface	
THIS SHEET OF ENGINEERING DRAWING IS THE PROPRIETARY PROPERTY OF COMPAL ELECTRONICS, INC. AND CONTAINS CONFIDENTIAL AND TRADE SECRET INFORMATION. THIS SHEET MAY NOT BE TRANSFERRED FROM THE CUSTODY OF THE COMPETENT DIVISION OF R&D DEPARTMENT EXCEPT AS AUTHORIZED BY COMPAL ELECTRONICS, INC. NEITHER THIS SHEET NOR THE INFORMATION IT CONTAINS MAY BE USED BY OR DISCLOSED TO ANY THIRD PARTY WITHOUT PRIOR WRITTEN CONSENT OF COMPAL ELECTRONICS, INC.					
Size B	Document Number			Rev	
	ICL50/ICK70 M/B LA-3551P Schematic				
Date:	Wednesday, August 15, 2007	Sheet	37	of	49



ACIN

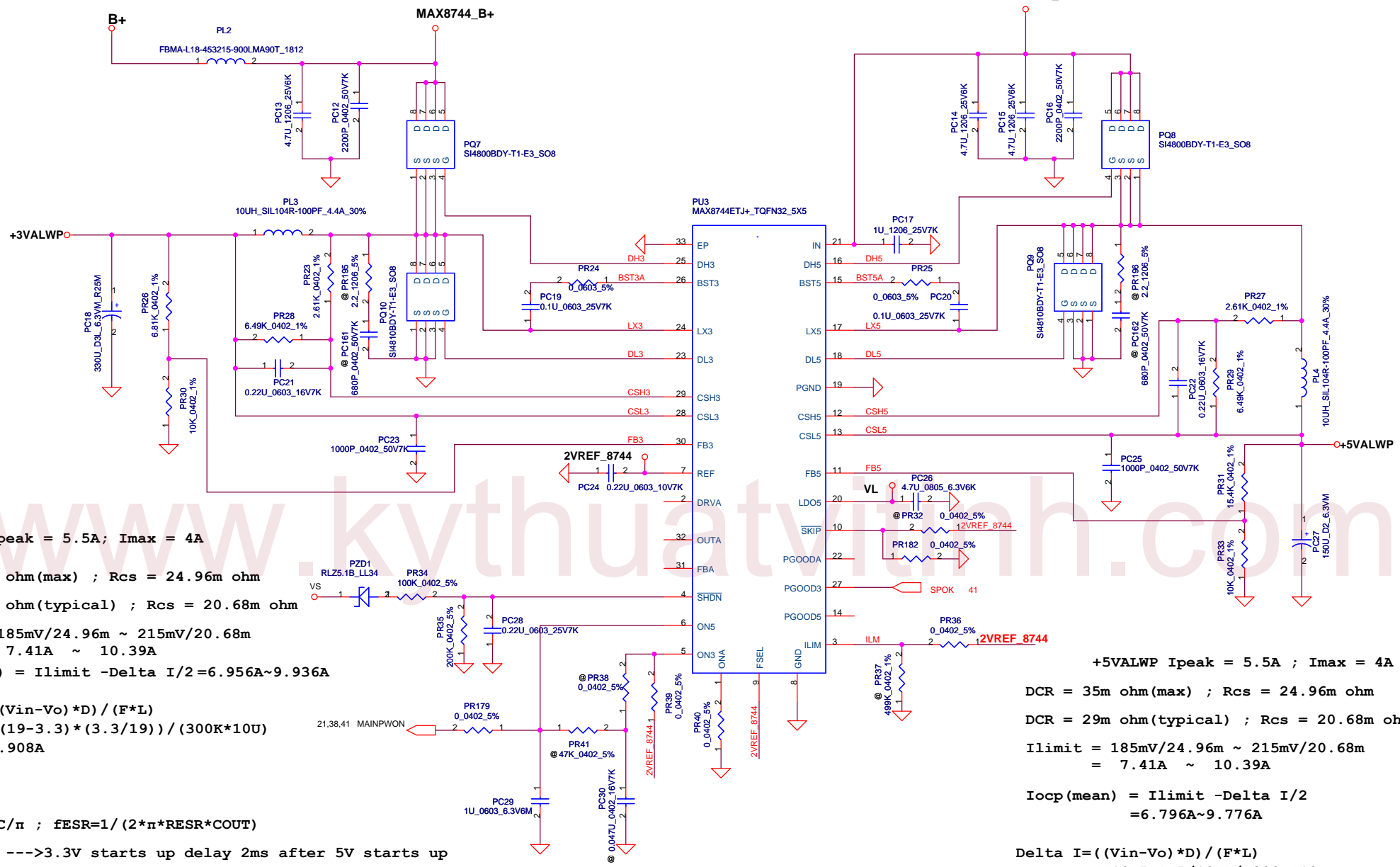
Precharge detector		
Min.	typ.	Max.
H->L	14.589V	15.243V
L->H	15.562V	16.388V

BATT ONLY

Precharge detector		
Min.	typ.	Max.
H->L	6.138V	6.359V
L->H	7.196V	7.505V

Security Classification	Compal Secret Data		Compal Electronics, Inc.	
Issued Date	2006/08/22	Deciphered Date	2007/08/22	Title
THIS SHEET OF ENGINEERING DRAWING IS THE PROPRIETARY PROPERTY OF COMPAL ELECTRONICS, INC. AND CONTAINS CONFIDENTIAL AND TRADE SECRET INFORMATION. THIS SHEET MAY NOT BE TRANSFERRED FROM THE CUSTODY OF THE COMPETENT DIVISION OF R&D DEPARTMENT EXCEPT AS AUTHORIZED BY COMPAL ELECTRONICS, INC. NEITHER THIS SHEET NOR THE INFORMATION IT CONTAINS MAY BE USED BY OR DISCLOSED TO ANY THIRD PARTY WITHOUT PRIOR WRITTEN CONSENT OF COMPAL ELECTRONICS, INC.				DCIN/DECTOR
Size B	Document Number	Rev		1.0
	ICL50/ICK70			
Date:	Wednesday, August 15, 2007	Sheet	38	of 49

MAX8744_B+



+3VALWP Ipeak = 5.5A; Imax = 4A
 DCR = 35m ohm(max) ; Rcs = 24.96m ohm
 DCR = 29m ohm(typical) ; Rcs = 20.68m ohm
 Ilimit = 185mV/24.96m ~ 215mV/20.68m
 = 7.41A ~ 10.39A
 Iocp(mean) = Ilimit -Delta I/2=6.956A~9.936A

Delta I=((Vin-Vo)*D)/(F*L)
 =((19-3.3)*(3.3/19))/(300K*10U)
 =0.908A

Notes :
 fESR<=fOSC/n ; fESR=1/(2*pi*RESR*COU)
 ON3 = REF --->3.3V starts up delay 2ms after 5V starts up

+5VALWP Ipeak = 5.5A ; Imax = 4A
 DCR = 35m ohm(max) ; Rcs = 24.96m ohm
 DCR = 29m ohm(typical) ; Rcs = 20.68m ohm
 Ilimit = 185mV/24.96m ~ 215mV/20.68m
 = 7.41A ~ 10.39A
 Iocp(mean) = Ilimit -Delta I/2
 =6.796A~9.776A

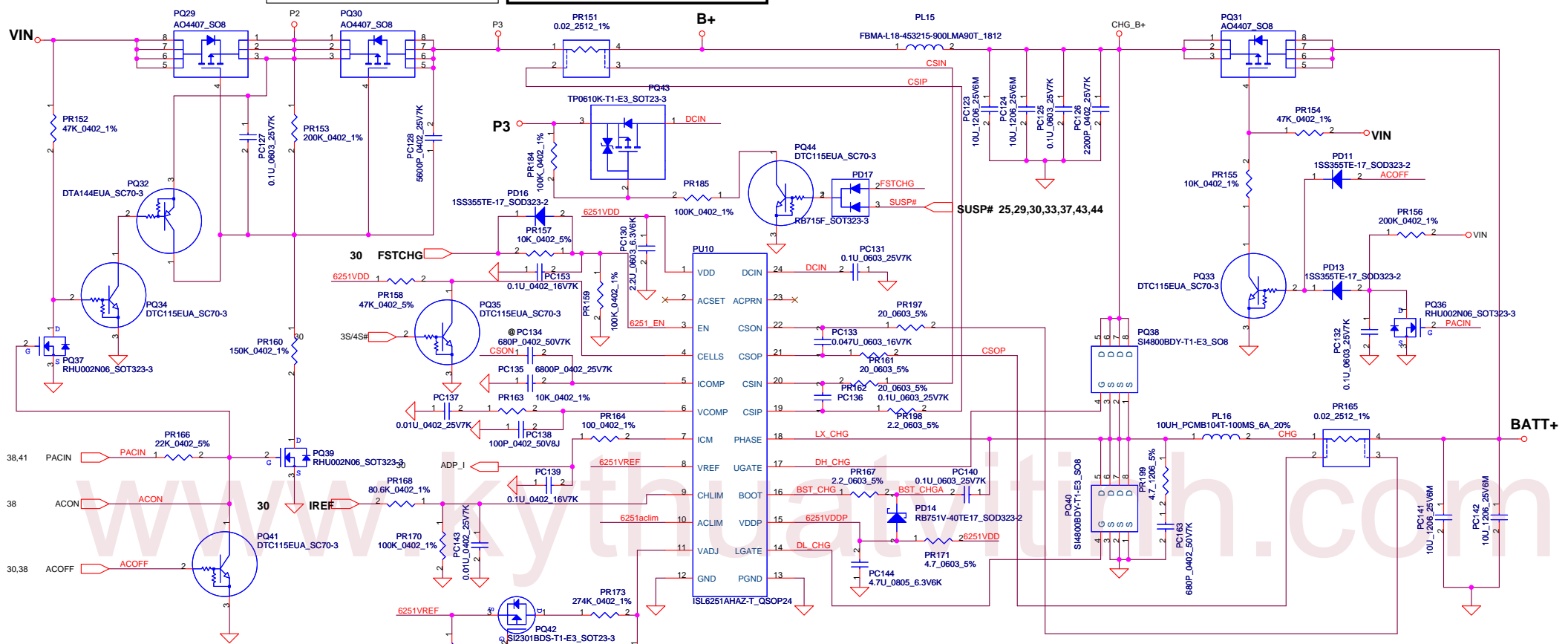
Delta I=((Vin-Vo)*D)/(F*L)
 =((19-5)*(5/19))/(300K*10U)
 1.228A

Security Classification		Compal Secret Data		Compal Electronics, Inc.	
Issued Date	2006/08/22	Deciphered Date	2007/08/22	Title	+5VALWP/+3VALWP
THIS SHEET OF ENGINEERING DRAWING IS THE PROPRIETARY PROPERTY OF COMPAL ELECTRONICS, INC. AND CONTAINS CONFIDENTIAL AND TRADE SECRET INFORMATION. THIS SHEET MAY NOT BE TRANSFERRED FROM THE CUSTODY OF THE COMPETENT DIVISION OF R&D DEPARTMENT EXCEPT AS AUTHORIZED BY COMPAL ELECTRONICS, INC. NEITHER THIS SHEET NOR THE INFORMATION IT CONTAINS MAY BE USED BY OR DISCLOSED TO ANY THIRD PARTY WITHOUT PRIOR WRITTEN CONSENT OF COMPAL ELECTRONICS, INC.				Size	Document Number
				Custom	ICL50/ICR70
				Date:	Wednesday, August 15, 2007
				Sheet	39 of 49
				Rev	1.0

Iada=0~4.74A (90W)

$$ADP_I = 19.9 * I_{adapter} * R_{sense}$$

$$CP = 85\% * I_{ada} ; CP = 4.07A$$

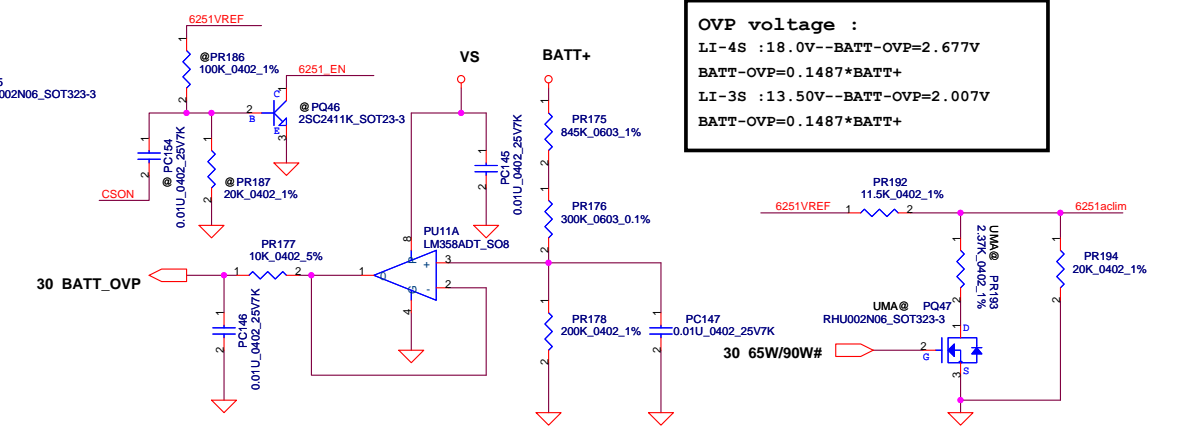
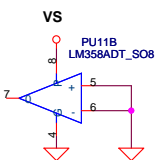


CP mode
 $I_{input} = (1/0.02) * ((0.05 * V_{aclim}) / 2.39 + 0.05)$
 where $V_{aclim} = 1.502V$, $I_{input} = 4.07A$
 $V_{aclim} = 2.39 * ((10K / 152K) + ((5.76K / 152K) + (10K / 152K)))$
 = 1.502V

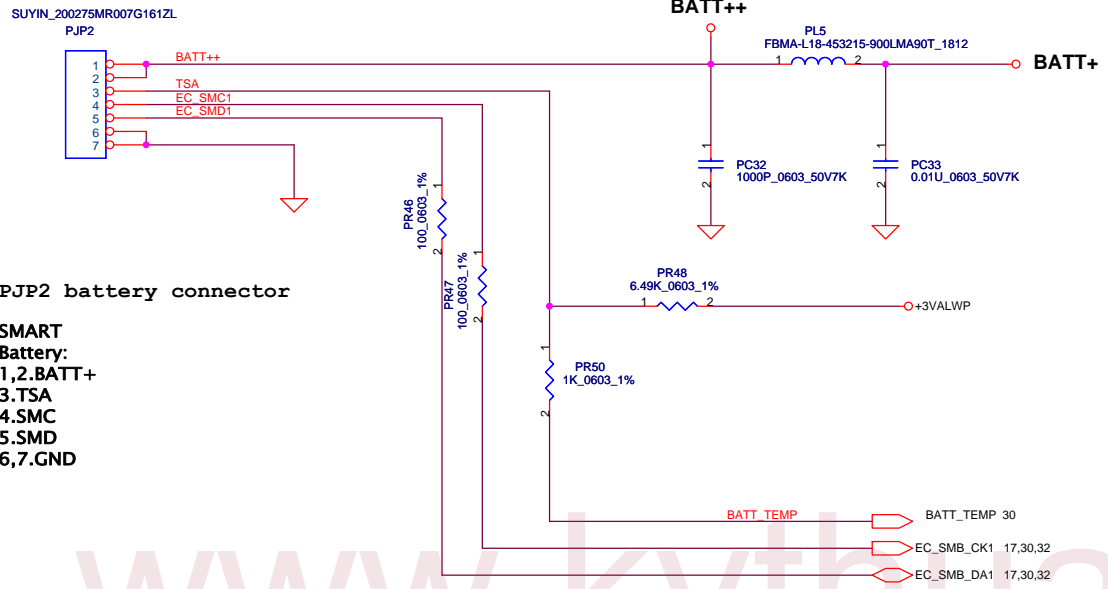
CC=0.6~4.48A
 $I_{REF} = 0.7224 * I_{charge}$
 $I_{REF} = 0.43V \sim 3.24V$

BATT Type	Charging Voltage (0x15)	3S/4S#	CHGSEL	CV mode
2800mAH 4S pack	17400mV	LOW	LOW	17.20V
2800mAH 3S pack	13050mV	HIGH	LOW	12.90V
Normal 4S LI-ON Cells	16800mV	LOW	HIGH	16.80V
Normal 3S LI-ON Cells	12600mV	HIGH	HIGH	12.60V
Wake up charge while no communication	-	HIGH	HIGH	12.60V

OVP voltage :
 LI-4S : 18.0V -- BATT-OVP = 2.677V
 BATT-OVP = 0.1487 * BATT+
 LI-3S : 13.50V -- BATT-OVP = 2.007V
 BATT-OVP = 0.1487 * BATT+

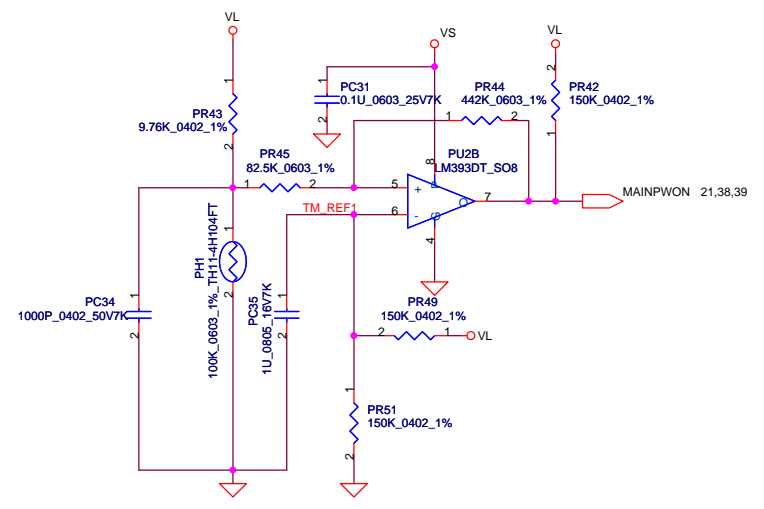


PH1 under CPU botten side :
 CPU thermal protection at 90 degree C
 Recovery at 70 degree C

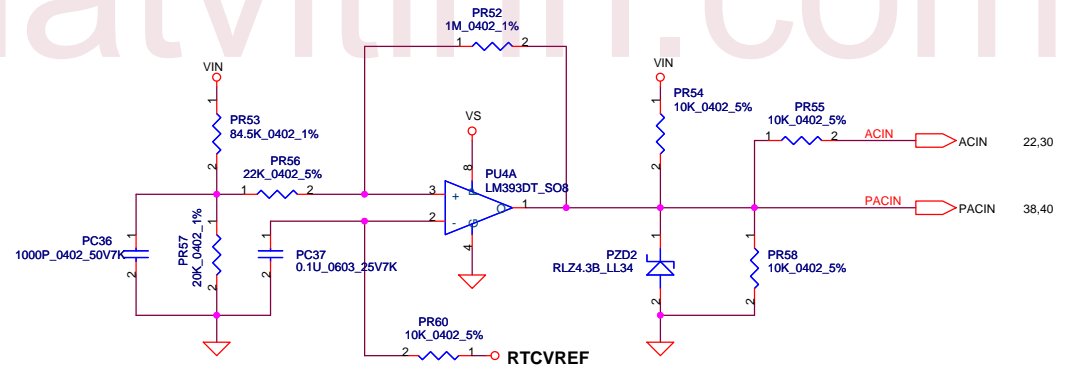
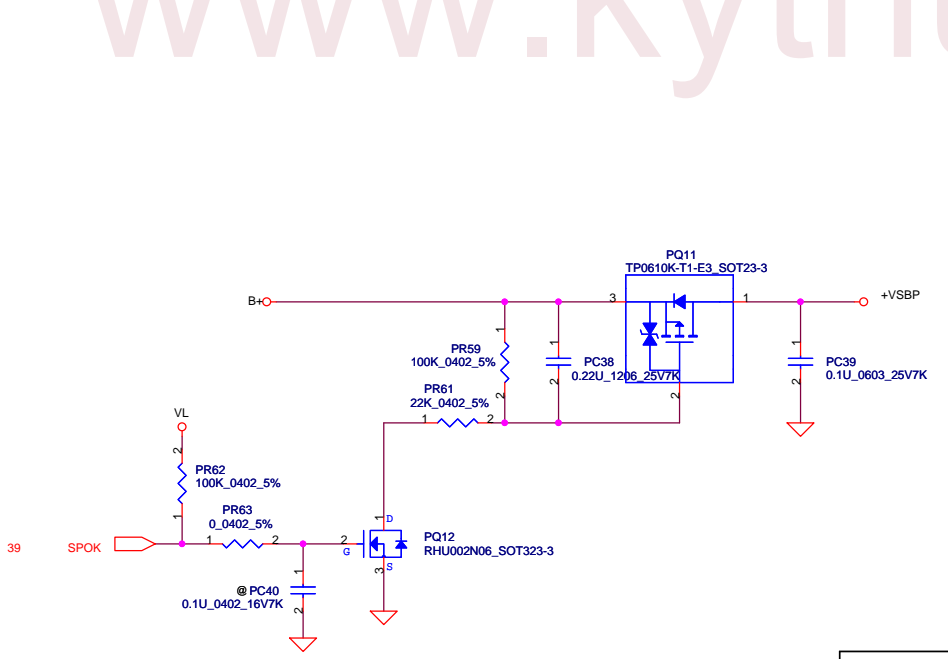


PJP2 battery connector

SMART Battery:
 1,2.BATT+
 3.TSA
 4.SMC
 5.SMD
 6,7.GND

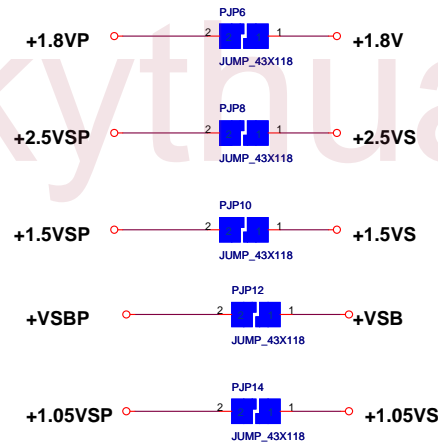
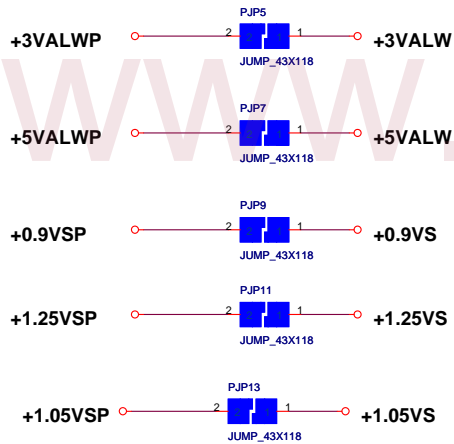
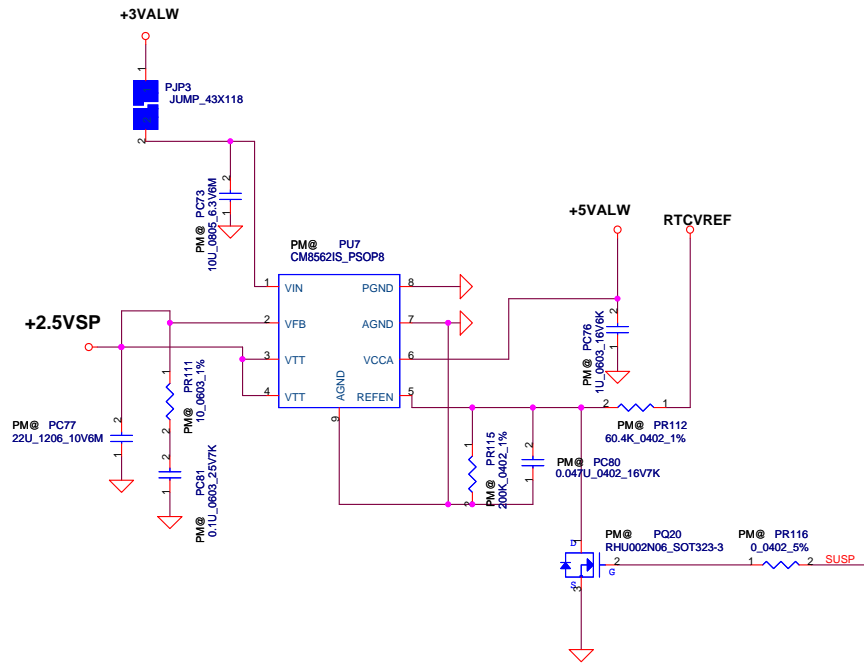
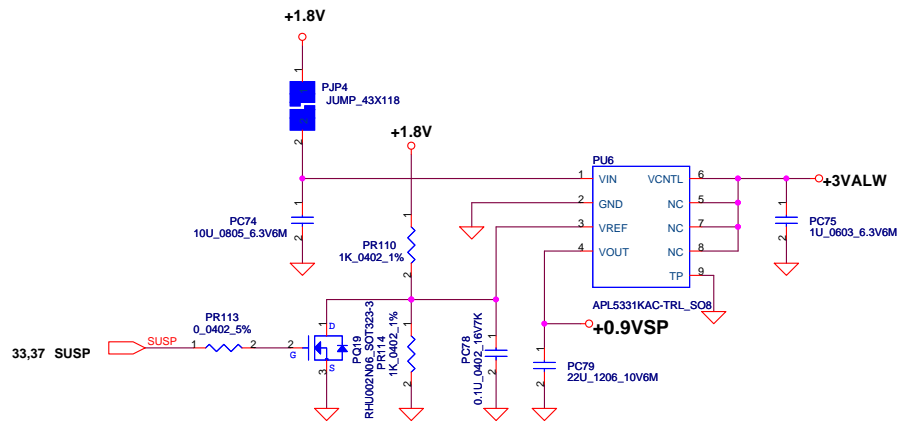


www.kytruatvithinh.com



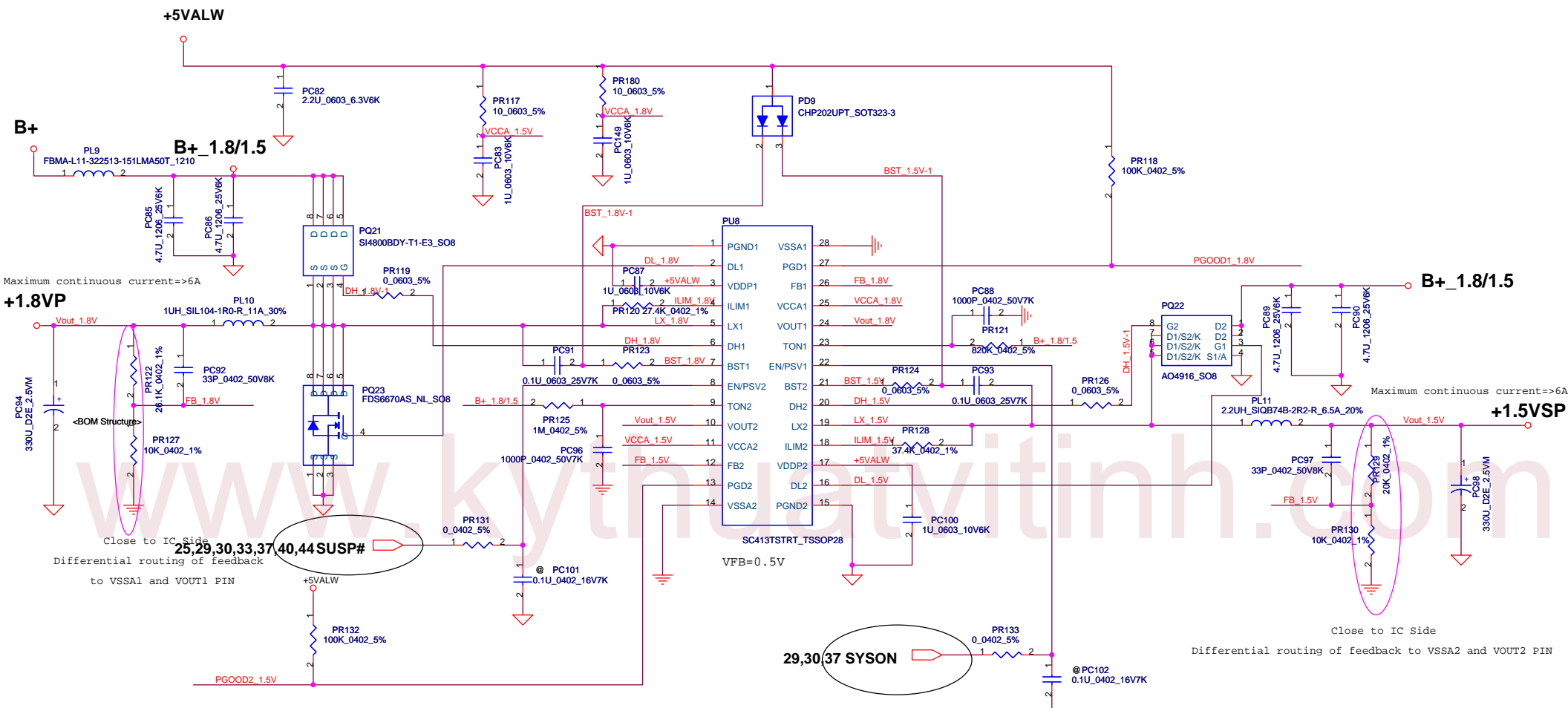
Vin Detector		
Min.	typ.	Max.
H-->L 16.976V	17.257V	17.728V
L-->H 17.430V	17.901V	18.384V

Security Classification		Compal Secret Data		Compal Electronics, Inc.	
Issued Date	2006/08/22	Deciphered Date	2007/08/22	Title	BATTERY CONN. / OTP
THIS SHEET OF ENGINEERING DRAWING IS THE PROPRIETARY PROPERTY OF COMPAL ELECTRONICS, INC. AND CONTAINS CONFIDENTIAL AND TRADE SECRET INFORMATION. THIS SHEET MAY NOT BE TRANSFERRED FROM THE CUSTODY OF THE COMPETENT DIVISION OF R&D DEPARTMENT EXCEPT AS AUTHORIZED BY COMPAL ELECTRONICS, INC. NEITHER THIS SHEET NOR THE INFORMATION IT CONTAINS MAY BE USED BY OR DISCLOSED TO ANY THIRD PARTY WITHOUT PRIOR WRITTEN CONSENT OF COMPAL ELECTRONICS, INC.					
Size B	Document Number			Rev	1.0
	ICL50/ICK70			Date:	Wednesday, August 15, 2007
		Sheet	41	of	49



Security Classification	Compal Secret Data	
Issued Date	2006/08/22	Deciphered Date
		2007/08/22
THIS SHEET OF ENGINEERING DRAWING IS THE PROPRIETARY PROPERTY OF COMPAL ELECTRONICS, INC. AND CONTAINS CONFIDENTIAL AND TRADE SECRET INFORMATION. THIS SHEET MAY NOT BE TRANSFERRED FROM THE CUSTODY OF THE COMPETENT DIVISION OF R&D DEPARTMENT EXCEPT AS AUTHORIZED BY COMPAL ELECTRONICS, INC. NEITHER THIS SHEET NOR THE INFORMATION IT CONTAINS MAY BE USED BY OR DISCLOSED TO ANY THIRD PARTY WITHOUT PRIOR WRITTEN CONSENT OF COMPAL ELECTRONICS, INC.		

Compal Electronics, Inc.		
+0.9VSP/+2.5VSP		
Title	Document Number	Rev
	ICL50/ICK70	1.0
Date	Wednesday, August 15, 2007	Sheet 42 of 49



Maximum continuous current => 6A

Maximum continuous current => 6A

Close to IC Side
Differential routing of feedback
to VSSA1 and VOUT1 PIN

Close to IC Side
Differential routing of feedback to VSSA2 and VOUT2 PIN

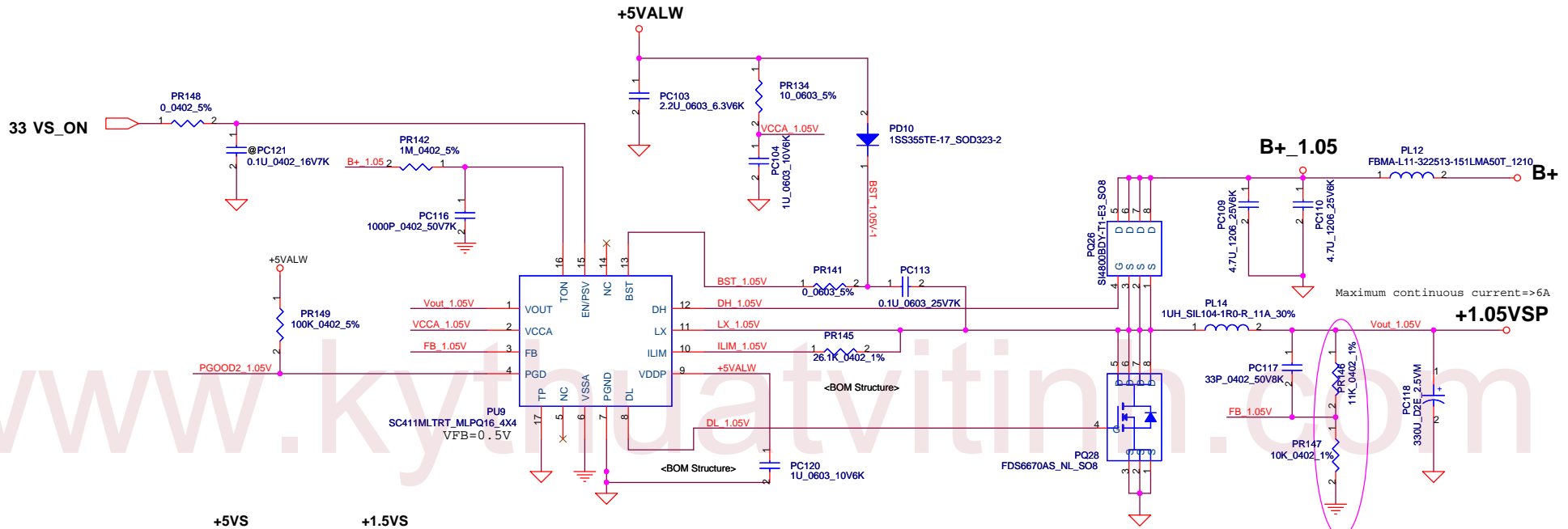
VFB=0.5V
 $V_o = VFB * (1 + PR122 / PR127) = 1.805V$
Ipeak=11.73A, Imax=8.211A
 $Ton = (3.3E-12 * (PR121 + 37K) * (Vout / VBat)) + 50ns$
 $= 3.3 * 10e-12 * (820K + 37K) * (1.8 / 19) + 50ns = 0.3179us$
 FDS6670AS:Rds(on) => Typ: 9 mOhm
 Max: 11.5 mOhm
 $Iocp = Ivalley + Iripple / 2$
 $Iripple = (vin - vout) * (Ton / L) = 5.467A, 1/2 Iripple = 2.734A.$
 $Ivalleymin = 10E-6 * (PR120 / Rds(ON)) * max * 1.5$
 $= 9 * 10e-6 * (27.4K / 0.0115 * 1.5) = 14.295A > 11.73 * 1.2 = 14.076A$
 $Ivalleymax = 10E-6 * (PR120 / Rds(ON)) * typ * 1.2$
 $= 11 * 10e-6 * (27.4K / 0.009 * 1.2) = 27.907A.$
 OCP ==> 17.029A ~ 30.641A

VFB=0.5V
 $V_o = VFB * (1 + PR129 / PR130) = 1.5V$
Ipeak=4.39A+2.91A=7.3A, Imax=7.3*0.7=5.11A
 $Ton = (3.3E-12 * (PR125 + 37K) * (Vout / VBat)) + 50ns$
 $= 0.3201us$
 AO4916 Rds(on) => Typ: 21 mOhm
 Max: 27 mOhm
 $Ivalleymin = 9 * E-6 * (37.4K / 0.027 * 1.4) = 8.904A > 7.3 * 1.2 = 8.76A$
 $Ivalleymax = 11 * E-6 * (37.4K / 0.021 * 1.1) = 17.809A$
 $Iripple = (vin - vout) * (Ton / L) = 2.546A, 1/2 Iripple = 1.273A$
 $Iocp = Ivalley + Iripple / 2$
 OCP ==> 10.177A ~ 19.082A



Security Classification		Compal Secret Data		Title	
Issued Date	2006/08/22	Deciphered Date	2007/08/22	+1.5VSP/+1.8VP	
THIS SHEET OF ENGINEERING DRAWING IS THE PROPRIETARY PROPERTY OF COMPAL ELECTRONICS, INC. AND CONTAINS CONFIDENTIAL AND TRADE SECRET INFORMATION. THIS SHEET MAY NOT BE TRANSFERRED FROM THE CUSTODY OF THE COMPETENT DIVISION OF R&D DEPARTMENT EXCEPT AS AUTHORIZED BY COMPAL ELECTRONICS, INC. NEITHER THIS SHEET NOR THE INFORMATION IT CONTAINS MAY BE USED BY OR DISCLOSED TO ANY THIRD PARTY WITHOUT PRIOR WRITTEN CONSENT OF COMPAL ELECTRONICS, INC.					
Size	Document Number	Date		Rev	
Custpm	ICL50/ICK70	Wednesday, August 15, 2007		1.0	
Date				Sheet	of
				43	49

Compal Electronics, Inc.



Maximum continuous current=>6A

Close to IC Side
Differential routing of feedback to VSSA2 and VOUT2 PIN

VFB=0.5V, Ipeak=14.02A, Imax=9.814A

The current rating of +1.05VSP include +VCC_GFX current.

$V_o = VFB * (1 + PR146 / PR147) = 1.05V$

$Ton = (3.3E-12 * (PR142 + 37K) * (Vout / VBat)) + 50ns = 0.2391us$

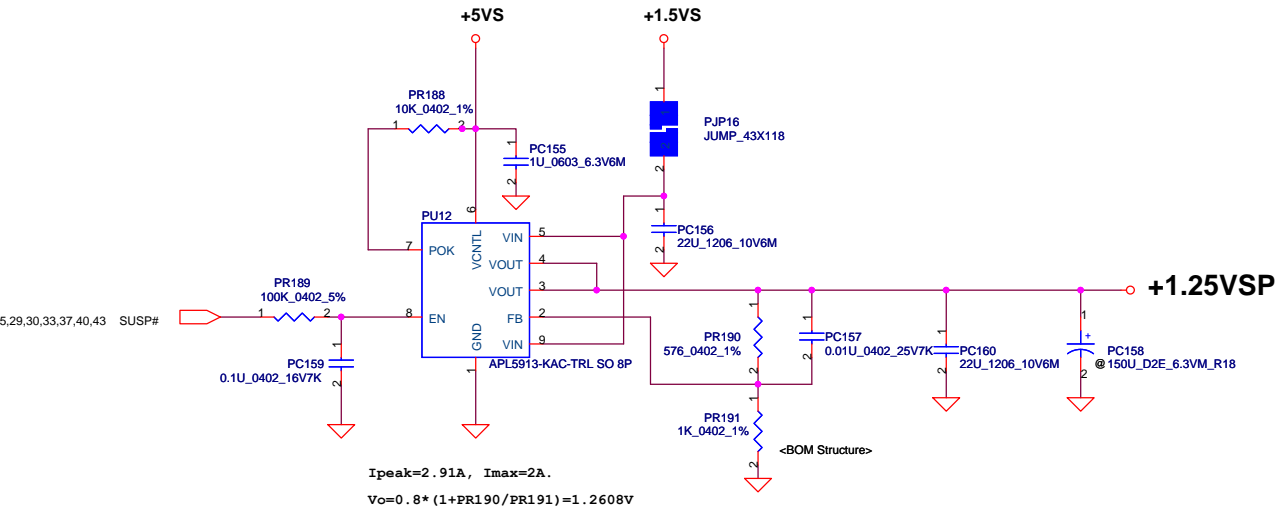
SI4810BDY:Rds(on) => Typ: 9mOhm
Max: 11.5 mOhm

$Ivalleymin = 9 * 10E-6 * (PR145 / Rds(ON))max * 1.5$
 $= 9 * 10E-6 * (26.1K / (0.0115 * 1.5)) = 13.617A$

$Ivalleymax = 11 * 10E-6 * (PR145 / Rds(ON))min * 1.2$
 $= 11 * 10E-6 * (26.1K / (0.009 * 1.3)) = 20.076A$

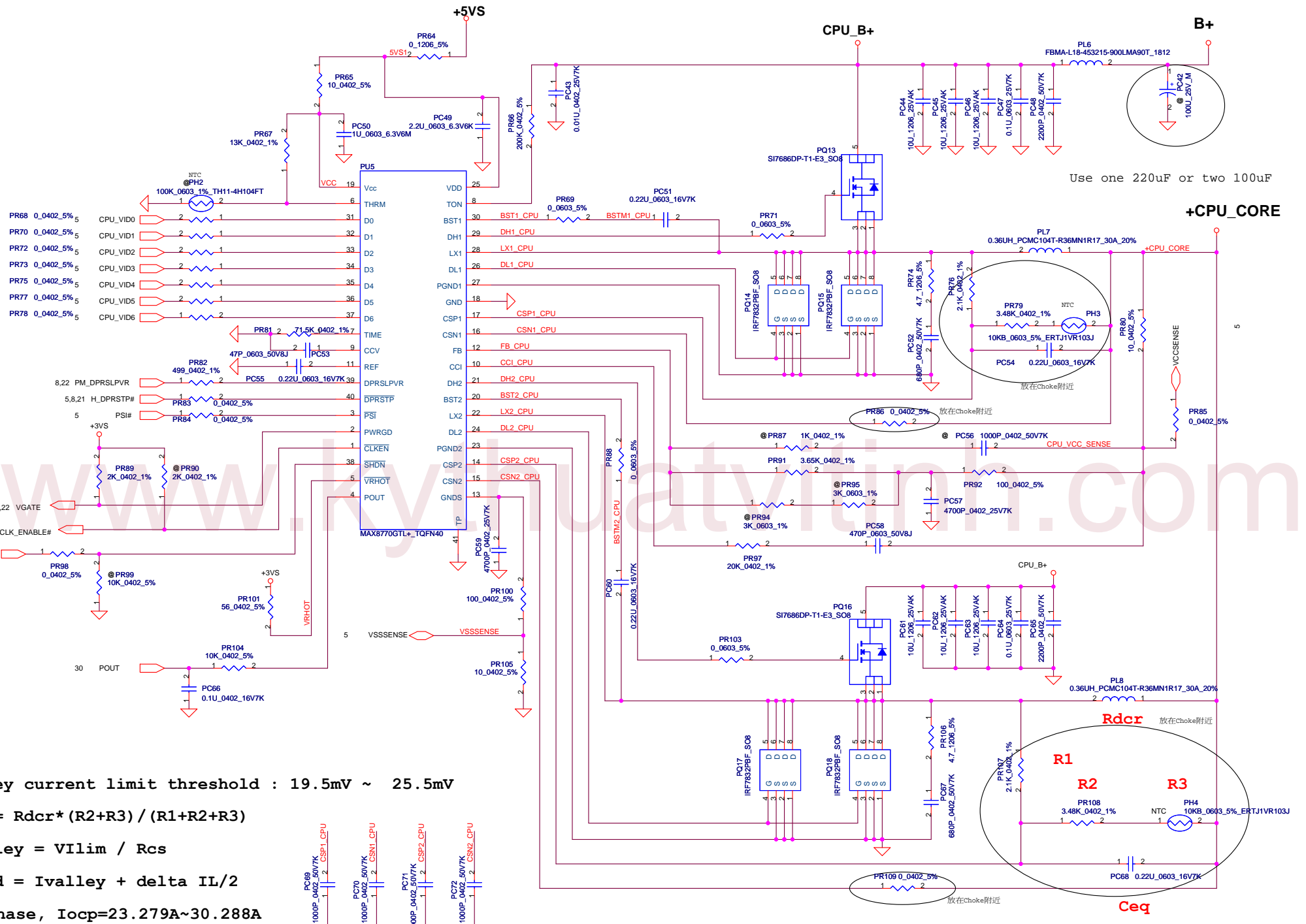
$Ripple = (vin - vout) * (Ton / L) = 4.292A, 1/2 Ripple = 2.146A$

$Iocp = Ivalley + Ripple / 2$
 $OCP ==> 15.763A \sim 22.222A$



Ipeak=2.91A, Imax=2A.
Vo=0.8 * (1+PR190/PR191)=1.2608V

Security Classification		Compal Secret Data		Title	
Issued Date	2006/08/22	Deciphered Date	2007/08/22	+1.25VSP/+1.05VSP	
THIS SHEET OF ENGINEERING DRAWING IS THE PROPRIETARY PROPERTY OF COMPAL ELECTRONICS, INC. AND CONTAINS CONFIDENTIAL AND TRADE SECRET INFORMATION. THIS SHEET MAY NOT BE TRANSFERRED FROM THE CUSTODY OF THE COMPETENT DIVISION OF R&D DEPARTMENT EXCEPT AS AUTHORIZED BY COMPAL ELECTRONICS, INC. NEITHER THIS SHEET NOR THE INFORMATION IT CONTAINS MAY BE USED BY OR DISCLOSED TO ANY THIRD PARTY WITHOUT PRIOR WRITTEN CONSENT OF COMPAL ELECTRONICS, INC.				Size	Rev
				Customer	1.0
				Date:	Wednesday, August 15, 2007
				Sheet	44 of 49



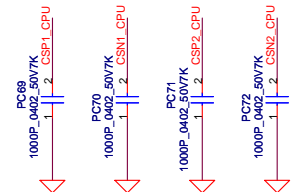
Valley current limit threshold : 19.5mV ~ 25.5mV

$$R_{cs} = R_{dcr} * (R2 + R3) / (R1 + R2 + R3)$$

$$I_{valley} = V_{lim} / R_{cs}$$

$$I_{load} = I_{valley} + \Delta I_L / 2$$

Per phase, $I_{ocp} = 23.279A \sim 30.288A$



Security Classification	Compal Secret Data		Compal Electronics, Inc.	
Issued Date	2005/06/20	Deciphered Date	2006/06/20	Title
THIS SHEET OF ENGINEERING DRAWING IS THE PROPRIETARY PROPERTY OF COMPAL ELECTRONICS, INC. AND CONTAINS CONFIDENTIAL AND TRADE SECRET INFORMATION. THIS SHEET MAY NOT BE TRANSFERRED FROM THE CUSTODY OF THE COMPETENT DIVISION OF R&D DEPARTMENT EXCEPT AS AUTHORIZED BY COMPAL ELECTRONICS, INC. NEITHER THIS SHEET NOR THE INFORMATION IT CONTAINS MAY BE USED BY OR DISCLOSED TO ANY THIRD PARTY WITHOUT PRIOR WRITTEN CONSENT OF COMPAL ELECTRONICS, INC.				Size
				Document Number
				ICL50/ICK70
				Rev
				1.0
				Date: Wednesday, August 15, 2007
				Sheet 45 of 49

Version change list (P.I.R. List)

Item	Fixed Issue	Reason for change	Rev.	PG#	Modify List	Date	Phase
1	CPU_CORE high side MOS desine change	In order to prevent EOL of SI7840, change to SI7686.	0.1	45	Change PQ13 and PQ16 form SB578400080(S TR SI7840DP-T1-E3 1N S08) to SB000008L80(S TR SI7686DP-T1-E3 1N S08).	10/30/06	EVT
2	For energy star SPEC request.	In order to for energy star SPEC request.	0.2	40	Add PQ43 SB906100210(S TR TP0610K)	12/21/06	DVT
3	For energy star SPEC request.	In order to for energy star SPEC request.	0.2	40	Add PQ44 SB301150000(S TR DTC115EUA)	12/21/06	DVT
4	For energy star SPEC request.	In order to for energy star SPEC request.	0.2	40	Add PD16 SC1SS355010(S DIO 1SS355) Delete PD12 SC1SS355010(S DIO 1SS355)	12/21/06	DVT
5	For energy star SPEC request.	In order to for energy star SPEC request.	0.2	40	Add PD17 SCSB715F000(S DIO RB715F)	12/21/06	DVT
6	For energy star SPEC request.	In order to for energy star SPEC request.	0.2	40	Add PR184,PR185 SD034100380(S RES 1/16W 100K 0402 1%)	12/21/06	DVT
7	For energy star SPEC request.	In order to for energy star SPEC request.	0.2	40	Add PC153 SE076104K80(S CER CAP 0.1U 0402 16V K X7R)	12/21/06	DVT
8	For energy star SPEC request.	In order to for energy star SPEC request.	0.2	40	Add PQ45 SB502060000(S TR RHU002N06)	12/21/06	DVT
9	For energy star SPEC request.	In order to for energy star SPEC request.	0.2	40	Add PQ46 SB324110010(S TR 2SC411K)	12/21/06	DVT
10	For energy star SPEC request.	In order to for energy star SPEC request.	0.2	40	Add PR183 SD034274380(S RES 1/16W 274K 0402 1%)	12/21/06	DVT
11	For energy star SPEC request.	In order to for energy star SPEC request.	0.2	40	Add PR186 SD034100380(S RES 1/16W 100K 0402 1%)	12/21/06	DVT
12	For energy star SPEC request.	In order to for energy star SPEC request.	0.2	40	Add PR187 SD034200280(S RES 1/16W 20K 0402 1%)	12/21/06	DVT
13	For energy star SPEC request.	In order to for energy star SPEC request.	0.2	40	Add PC154 and PC146 SE075103K80(S CER CAP 0.01U K 25V X7R 0402)	12/21/06	DVT
14	Noise issue in S3 mode and idle mode.	In order to prevent noise issue in S3 mode and idle mode.	0.2	40	Add PC42 SF22004M210(S CAP 220U_25V_M)	12/21/06	DVT
15	For energy star SPEC request.	In order to for energy star SPEC request.	0.2	40	Change PR157 from SD028000080(s res 1/16w 0 0402 5%) TO SD0281000280(S RES 1/16W 10K 0402 5%)	12/21/06	DVT
16	Improve pre-charge power sequence	Improve pre-charge power sequence	0.2	39	Change PR34 from SD028470280(S RES 1/16w 47K 0402 5%) to SD028100380(S RES 1/16W 100K 0402 5%)	12/21/06	DVT
17	Improve pre-charge power sequence	Improve pre-charge power sequence	0.2	39	Change PR35 SD028100380(S RES 1/16W 100K 0402 5%) to SD028200380(S RES 1/16W 200K 0402 5%)	12/21/06	DVT
18	Improve pre-charge power sequence	Improve pre-charge power sequence	0.2	39	Change PC28 from SE042104K80(S CER CAP 0.1U 25V K X7R 0603) to SE000005ZM8(S CER CAP 0.22U 25V K X7R 0603)	12/21/06	DVT
19	CPU MOSFET switching has interference.	Improve CPU switching interference.	0.2	45	Change PC69,PC70,PC71,PC72 from SE082221J80 to SE068102J80(S CER CAP 1000P 25V J NPO 0402)	12/21/06	DVT
20	X63470BOL01 doesn't need +2.5VSP	Delete +2.5VSP from X63470BOL01.	0.2	42	Delete PU7 SA085620080 from X63470BOL01.	12/21/06	DVT
21	X63470BOL01 doesn't need +2.5VSP	Delete +2.5VSP from X63470BOL01.	0.2	42	Delete PQ20 SB502060000 from X63470BOL01.	12/21/06	DVT
22	X63470BOL01 doesn't need +2.5VSP	Delete +2.5VSP from X63470BOL01.	0.2	42	Delete PR111 SD014100A80 from X63470BOL01.	12/21/06	DVT
23	X63470BOL01 doesn't need +2.5VSP	Delete +2.5VSP from X63470BOL01.	0.2	42	Delete PR112 SD034604280 from X63470BOL01.	12/21/06	DVT

Compal Electronics, Inc.	
Title PIR (PWR)	
Size	Document Number ICL50/ICK70M/B1A1351P Schematic
Date:	Wednesday, August 15, 2007
Sheet	46 of 49

Item	Fixed Issue	Reason for change	Rev.	PG#	Modify List	Date	Phase
1	X63470BOL01 doesn't need +2.5VSP	Delete +2.5VSP from X63470BOL01.	0.2	42	Delete PR115 SD034200380 from X63470BOL01.	10/30/06	EVT
2	X63470BOL01 doesn't need +2.5VSP	Delete +2.5VSP from X63470BOL01.	0.2	42	Delete PR116 SD028000080 from X63470BOL01.	12/21/06	DVT
3	X63470BOL01 doesn't need +2.5VSP	Delete +2.5VSP from X63470BOL01.	0.2	42	Delete PC73 SE142475K80 from X63470BOL01.	12/21/06	DVT
4	X63470BOL01 doesn't need +2.5VSP	Delete +2.5VSP from X63470BOL01.	0.2	42	Delete PC76 SE135105K80 from X63470BOL01.	12/21/06	DVT
5	X63470BOL01 doesn't need +2.5VSP	Delete +2.5VSP from X63470BOL01.	0.2	42	Delete PC77 SE116226M80 from X63470BOL01.	12/21/06	DVT
6	X63470BOL01 doesn't need +2.5VSP	Delete +2.5VSP from X63470BOL01.	0.2	42	Delete PC80 SE076473K80 from X63470BOL01.	12/21/06	DVT
7	X63470BOL01 doesn't need +2.5VSP	Delete +2.5VSP from X63470BOL01.	0.2	42	Delete PC81 SE042104K80 from X63470BOL01.	12/21/06	DVT
8	Cost issue.	For cost down, change +1.25VSP solution.	0.3	44	Delete PQ25 SB548000310(S TR SI4800BDY) .	12/27/06	DVT
9	Cost issue.	For cost down, change +1.25VSP solution.	0.3	44	Delete PQ27 SB548100020(S TR 4810BDY)	12/27/06	DVT
10	Cost issue.	For cost down, change +1.25VSP solution.	0.3	44	Change PD10 from SC1P202U010 to SC1SS355010.	12/27/06	DVT
11	Cost issue.	For cost down, change +1.25VSP solution.	0.3	44	Delete PR135 SD034100380.	12/27/06	DVT
12	Cost issue.	For cost down, change +1.25VSP solution.	0.3	44	Delete PR140,SD013000080, PR150 SD028000080.	12/27/06	DVT
13	Cost issue.	For cost down, change +1.25VSP solution.	0.3	44	Delete PR181 SD013100A80.	12/27/06	DVT
14	Cost issue.	For cost down, change +1.25VSP solution.	0.3	44	Delete PR139 SD034150280.	12/27/06	DVT
15	Cost issue.	For cost down, change +1.25VSP solution.	0.3	44	Delete PR144 SD034100280	12/27/06	DVT
16	Cost issue.	For cost down, change +1.25VSP solution.	0.3	44	Delete PR137 SD034105280.	12/27/06	DVT
17	Cost issue.	For cost down, change +1.25VSP solution.	0.3	44	Delete PR138 SD028100480.	12/27/06	DVT
18	Cost issue.	For cost down, change +1.25VSP solution.	0.3	44	Delete PC105,PC106 SE142475K80.	12/27/06	DVT
19	Cost issue.	For cost down, change +1.25VSP solution.	0.3	44	Delete PC107,PC151 SE080105K80.	12/27/06	DVT
20	Cost issue.	For cost down, change +1.25VSP solution.	0.3	44	Delete PC108 SE074102K80.	12/27/06	DVT
21	Cost issue.	For cost down, change +1.25VSP solution.	0.3	44	Delete PC111 SE042104K80.	12/27/06	DVT
22	Cost issue.	For cost down, change +1.25VSP solution.	0.3	44	Delete PC112 SE068330K80	12/27/06	DVT
24	Cost issue.	For cost down, change +1.25VSP solution.	0.3	44	Delete PL13 SH000008Y80.	12/27/06	DVT

Compal Electronics, Inc.	
Title PIR (PWR)	
Size	Document Number ICL50/ICK70-M/B1-A1351P Schematic
Date: Wednesday, August 15, 2007	Sheet 47 of 49

Item	Fixed Issue	Reason for change	Rev.	PG#	Modify List	Date	Phase
1	Cost issue.	For cost down, change +1.25VSP solution.	0.3	44	Delete PC114 SGA20221D30	12/27/06	DVT
2	Cost issue.	For cost down, change +1.25VSP solution.	0.3	44	Change PU9 from SA00001FD80 to SA00001FB80	12/27/06	DVT
3	For SMT BOM convenient.	For SMT BOM convenient.	0.3	40	Change PD14 from SC1H751H010 to SC1B751V010.	12/27/06	DVT
4	Increase _1.5VSP OCP point	Increase _1.5VSP OCP point for +1.25VSP new solution.'	0.3	43	Change PR128 from SD034154280 to SD034374380.	12/27/06	DVT
5	Decrease +1.05VSP OCP point.	Decrease +1.05VSP OCP point.	0.3	44	Change PR145 from SD034324280 to SD034261280		DVT
6	Cost issue.	For cost down, change +1.25VSP solution.	0.3	44	Add PU12 SA000015410.	12/27/06	DVT
7	Cost issue.	For cost down, change +1.25VSP solution.	0.3	44	Add PR188 SD034100280.	12/27/06	DVT
8	Cost issue.	For cost down, change +1.25VSP solution.	0.3	44	Add PR189 SD034100380.	12/27/06	DVT
9	Cost issue.	For cost down, change +1.25VSP solution.	0.3	44	Add PR191 SD034100180.	12/27/06	DVT
10	Cost issue.	For cost down, change +1.25VSP solution.	0.3	44	Add PR190 SD034576080.	12/27/06	DVT
11	Cost issue.	For cost down, change +1.25VSP solution.	0.3	44	Add PC155 SE107105M80.	12/27/06	DVT
12	Cost issue.	For cost down, change +1.25VSP solution.	0.3	44	Add PC156, PC160 SE116226M80	12/27/06	DVT
13	Cost issue.	For cost down, change +1.25VSP solution.	0.3	44	Add PC157 SE075103K80.	12/27/06	DVT
14	Cost issue.	For cost down, change +1.25VSP solution.	0.3	44	Add PC159 SE076104K80.	12/27/06	DVT
15	Increase +1.5VSP output capacitor.	Increase +1.5VSP output capacitor.	0.3	43	Change PC98 from SGA20221D30 to SGA19331D00	12/27/06	DVT
16	Cost issue.	Cost issue.	0.3	44	Change PC118 from SGA20471D00 to SGA19331D00.	12/30/06	DVT
17	BOM issue.	BOM issue.	0.3	45	Change PH3, PH4 from SL210021F20 to SL200000200	12/30/06	DVT
18	Assembly issue.	Due to assembly hard, delete PC42.	0.3	45	Delete PC42 SM22004M210.	12/30/06	DVT
19	Cost issue.	Cost issue.	0.4	42	Change PC73 from SE142475K80 to SE093106M80	01/04/06	DVT
20	Cost issue.	Cost issue.	0.4	42	Change PC73 from SE153106K80 to SE093106M80	01/04/06	DVT
21	Add pull high resistor for VAGTE.	Add pull high resistor for VAGTE.	0.4	45	Add PR89 SD034200180 (S RES 1/16W 2K 0402 1%)	01/04/06	DVT
22	Delete PQ46	PQ46 has potential risk to cause system battery OVP.	0.4	40	Delete PQ46 SB324110010 (S TR 2SC411K)	01/04/06	DVT
23	Material shipping issue.	Material shipping issue.	0.4	45	Change PC69, PC70, PC71, PC72 from SE068102J80 to SE074102K80	01/04/06	DVT

Compal Electronics, Inc.	
Title PIR (PWR)	
Size	Document Number ICL50/ICK70M/B1A1351P Schematic
Date: Wednesday, August 15, 2007	Sheet 48 of 49

Item	Fixed Issue	Reason for change	Rev.	PG#	Modify List	Date	Phase
1	Cost down	Cost down	0.5	40	Change PQ38 from SB548100020 to SB548000310.	03/09/07	FVT
2	Cost down	Cost down	0.5	40	Change PQ40 from SB548100020 to SB548000310.	03/09/07	FVT
3	For EMI board band issue.	For EMI board band issue.	0.6	40	Add PR199 SD001470B80(S RES 1/4W 4.7 1206 +-5%)	04/01/07	Pre-MP
4	For EMI board band issue.	For EMI board band issue.	0.6	40	Add PC163 SE074681K80 (S CER CAP 680P 50V K X7R)	04/01/07	Pre-MP
5	For battery life issue.	For battery life issue.	0.6	42	Add PR113 SD028000080.		
6	For battery life issue.	For battery life issue.	0.6	42	Add PQ19 SB502060000.		
7	PC28 change to LF PN.	PC28 change to LF PN.	0.7	39	Change PC28 from SE000005ZM8 to SE000005Z80.	04/18/07	MP
8							
9							
10							
11							
12							
13							
14							
15							
16							
17							
18							
19							
20							
21							
22							
23							

www.kythuovatvithinh.com

Compal Electronics, Inc.			
Title PIR (PWR)			
Size	Document Number	ICL50/ICK70-M/B1-A1351P Schematic	
Date:	Wednesday, August 15, 2007	Sheet	49 of 49